



US00D715268S

(12) **United States Design Patent**
Rodriguez

(10) **Patent No.:** **US D715,268 S**

(45) **Date of Patent:** **** Oct. 14, 2014**

(54) **WIRELESS REMOTE CONTROL**

(71) Applicant: **Jorge L. Rodriguez**, Miami, FL (US)

(72) Inventor: **Jorge L. Rodriguez**, Miami, FL (US)

(**) Term: **14 Years**

(21) Appl. No.: **29/469,586**

(22) Filed: **Oct. 11, 2013**

(51) **LOC (10) Cl.** **14-03**

(52) **U.S. Cl.**

USPC **D14/218**

(58) **Field of Classification Search**

USPC D14/218, 455; D13/168; D21/566;
D10/104, 106; 345/169; 348/14.05,
348/114, 211.99, 734; 340/825.24; 341/22;
455/92, 95, 128, 151.1-151.4, 352,
455/355, FOR. 121; 700/65
See application file for complete search history.

(56) **References Cited**

U.S. PATENT DOCUMENTS

D387,352 S *	12/1997	Kaneko et al.	D14/218
D412,169 S *	7/1999	Schnell et al.	D14/138 AA
D423,515 S *	4/2000	Phillips et al.	D14/247
D434,409 S *	11/2000	Clapper	D14/218
6,157,319 A *	12/2000	Johns et al.	340/12.24
D460,751 S *	7/2002	Jensen et al.	D14/218
D480,385 S *	10/2003	Forlenza et al.	D14/218
D489,710 S *	5/2004	Corander	D14/218
D491,925 S *	6/2004	Griesau et al.	D14/218
D497,882 S *	11/2004	Huang	D13/168
D498,472 S *	11/2004	Borsboom	D14/218
D500,494 S *	1/2005	Borsboom	D14/218
D507,759 S *	7/2005	Li	D10/106.1
D515,515 S *	2/2006	Li	D13/168
D517,530 S *	3/2006	Mabry et al.	D14/218
D527,375 S *	8/2006	Flora et al.	D14/218

D528,990 S *	9/2006	Li	D13/168
D531,586 S *	11/2006	Poulet	D13/168
D533,165 S *	12/2006	Knight et al.	D14/218
D562,806 S *	2/2008	Bruce et al.	D14/218
D563,907 S *	3/2008	Badarello	D13/168
D563,948 S *	3/2008	d'Hoore	D14/218
D565,554 S *	4/2008	Fan	D14/218
D571,361 S *	6/2008	Moriyama	D14/247
D580,914 S *	11/2008	Tsao	D14/218
D584,292 S *	1/2009	Knight	D14/218
D585,877 S *	2/2009	Knight	D14/218
D591,914 S *	5/2009	Witham	D30/199
D603,351 S *	11/2009	Badarello	D13/168
D603,842 S *	11/2009	Bruce et al.	D14/218
D617,777 S *	6/2010	Chizinsky	D14/218
D619,564 S *	7/2010	Maruska et al.	D14/218
D631,027 S *	1/2011	Li	D14/138 AA
D635,971 S *	4/2011	Sip et al.	D14/341
D644,631 S *	9/2011	Lai	D14/218

* cited by examiner

Primary Examiner — John Windmuller

(74) *Attorney, Agent, or Firm* — Lott & Fischer, PL

(57) **CLAIM**

The ornamental design for a wireless remote control, substantially as shown and described.

DESCRIPTION

FIG. 1 is a top perspective view of my view design; FIG. 2 is a front elevational view of the design FIG. 1; FIG. 3 is a rear elevational view of the design of FIG. 1; FIG. 4 is a right side elevational view of the design of FIG. 1; FIG. 5 is a left side elevational view of the design of FIG. 1; FIG. 6 is a top plan view of the design of FIG. 1; FIG. 7 is a bottom plan view of the design of FIG. 1; and, FIG. 8 is a bottom perspective view of my new design. The broken lines in the figures depict portions of the remote control that form no part of the claimed design.

1 Claim, 6 Drawing Sheets

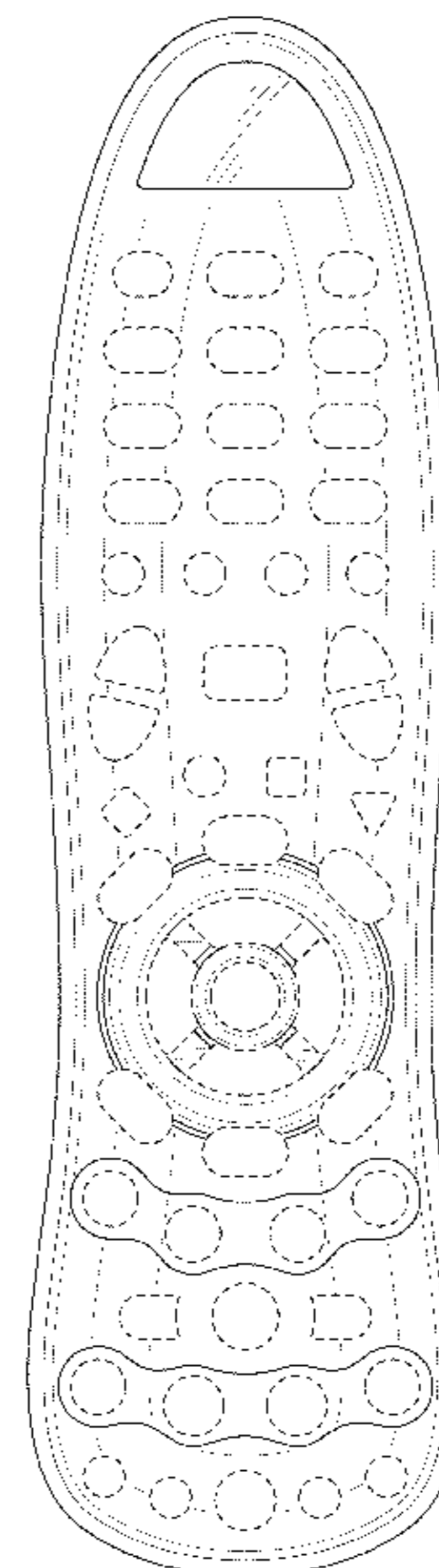
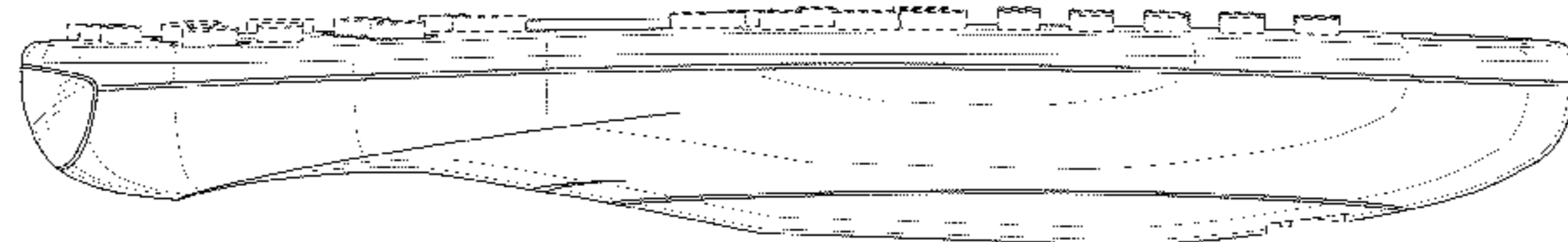




FIG. 1

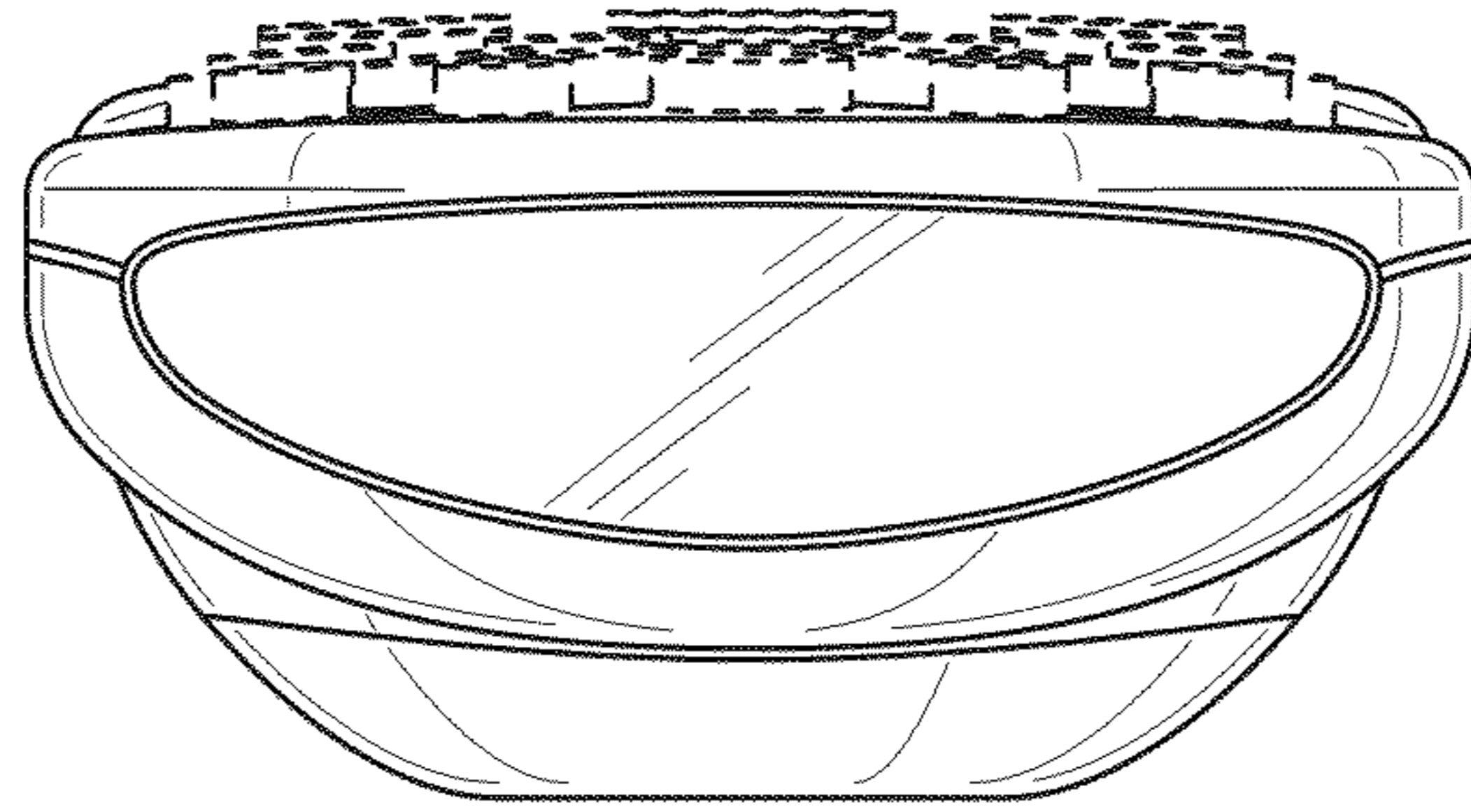


FIG. 2

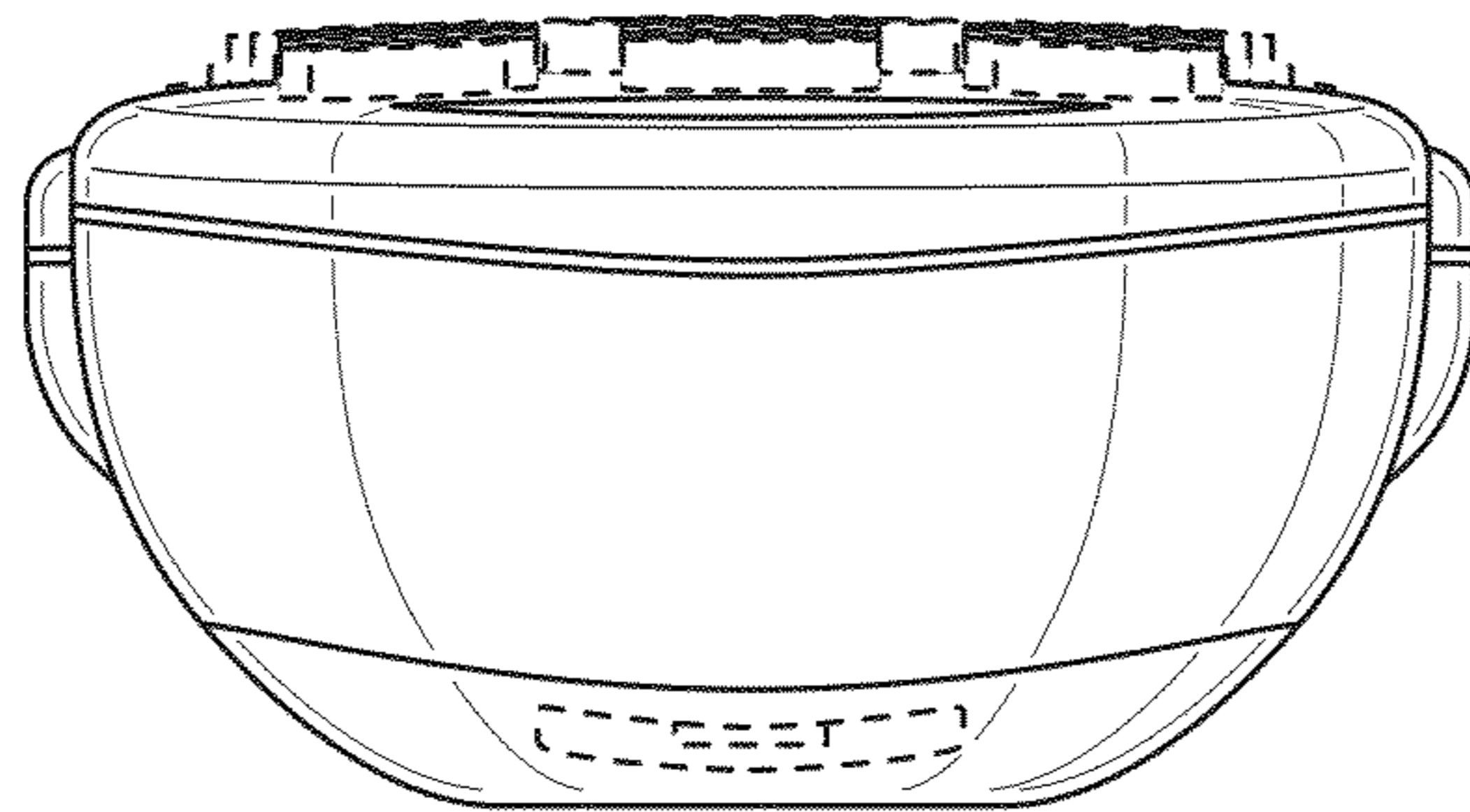


FIG. 3

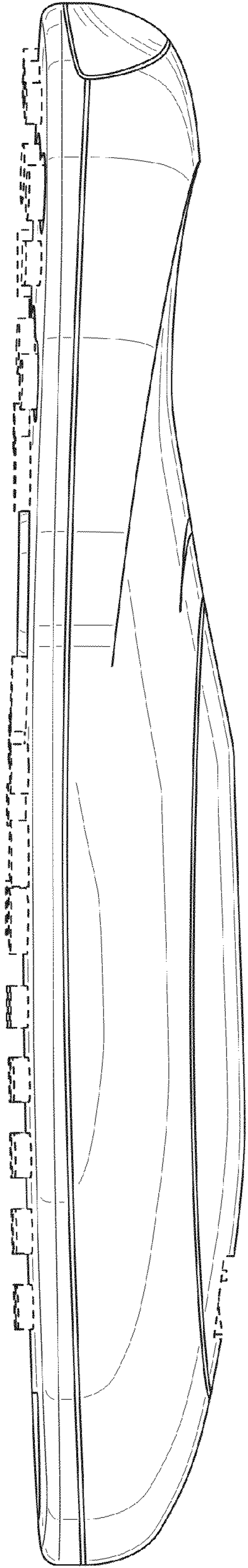


FIG. 4

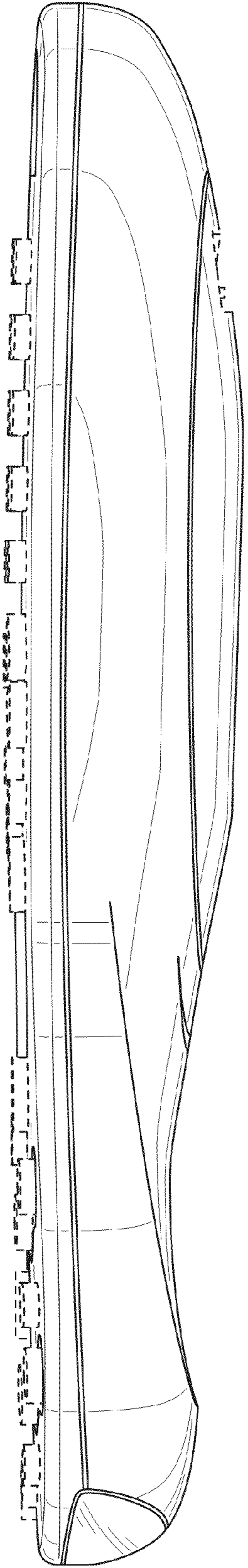


FIG. 5

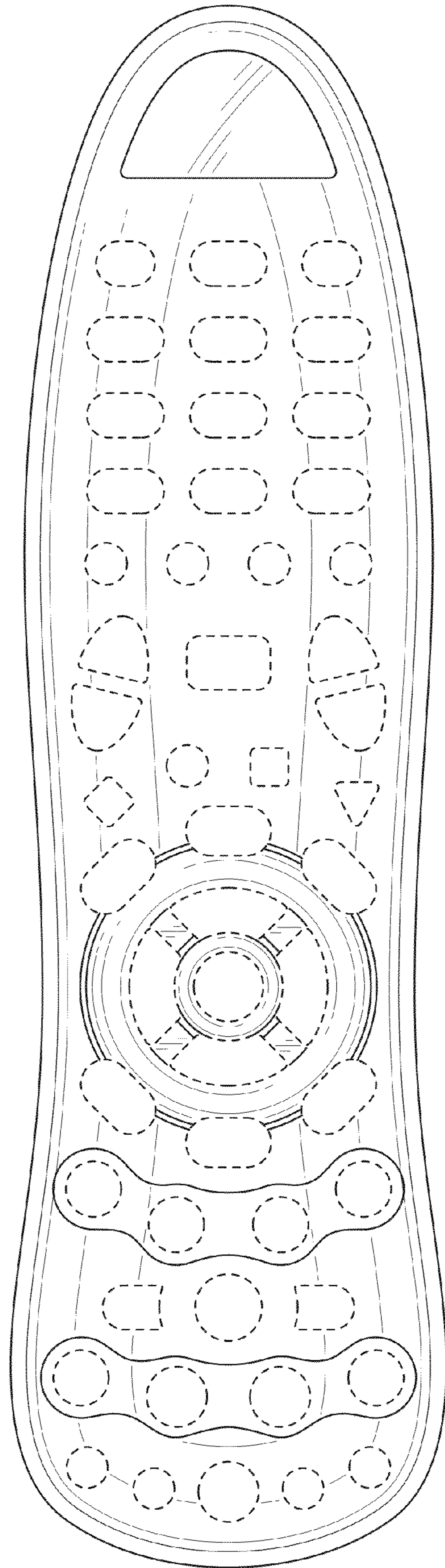


FIG. 6

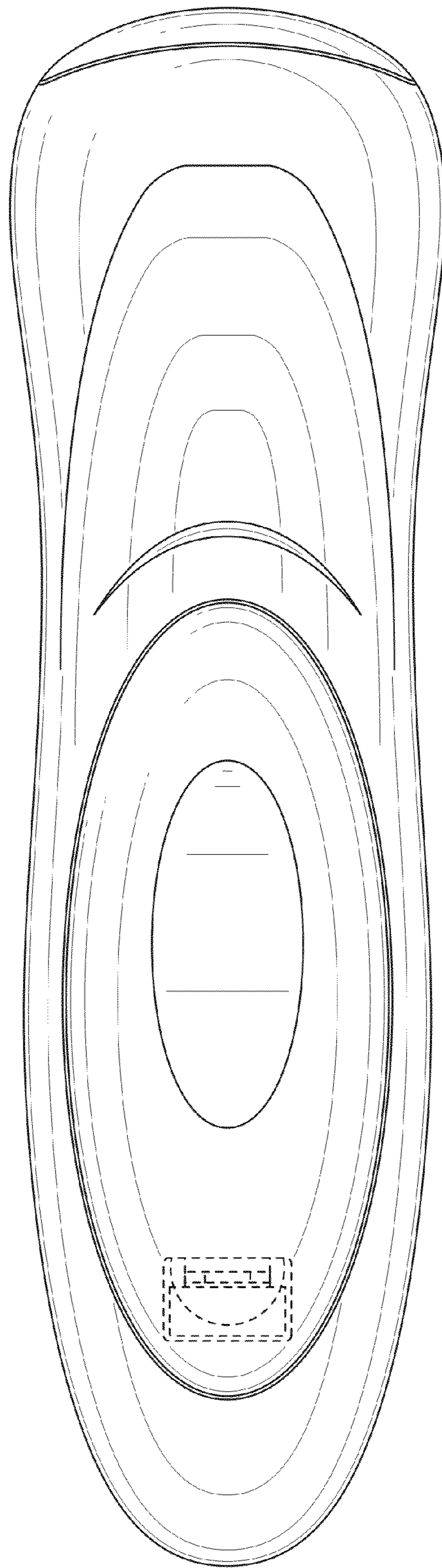


FIG. 7

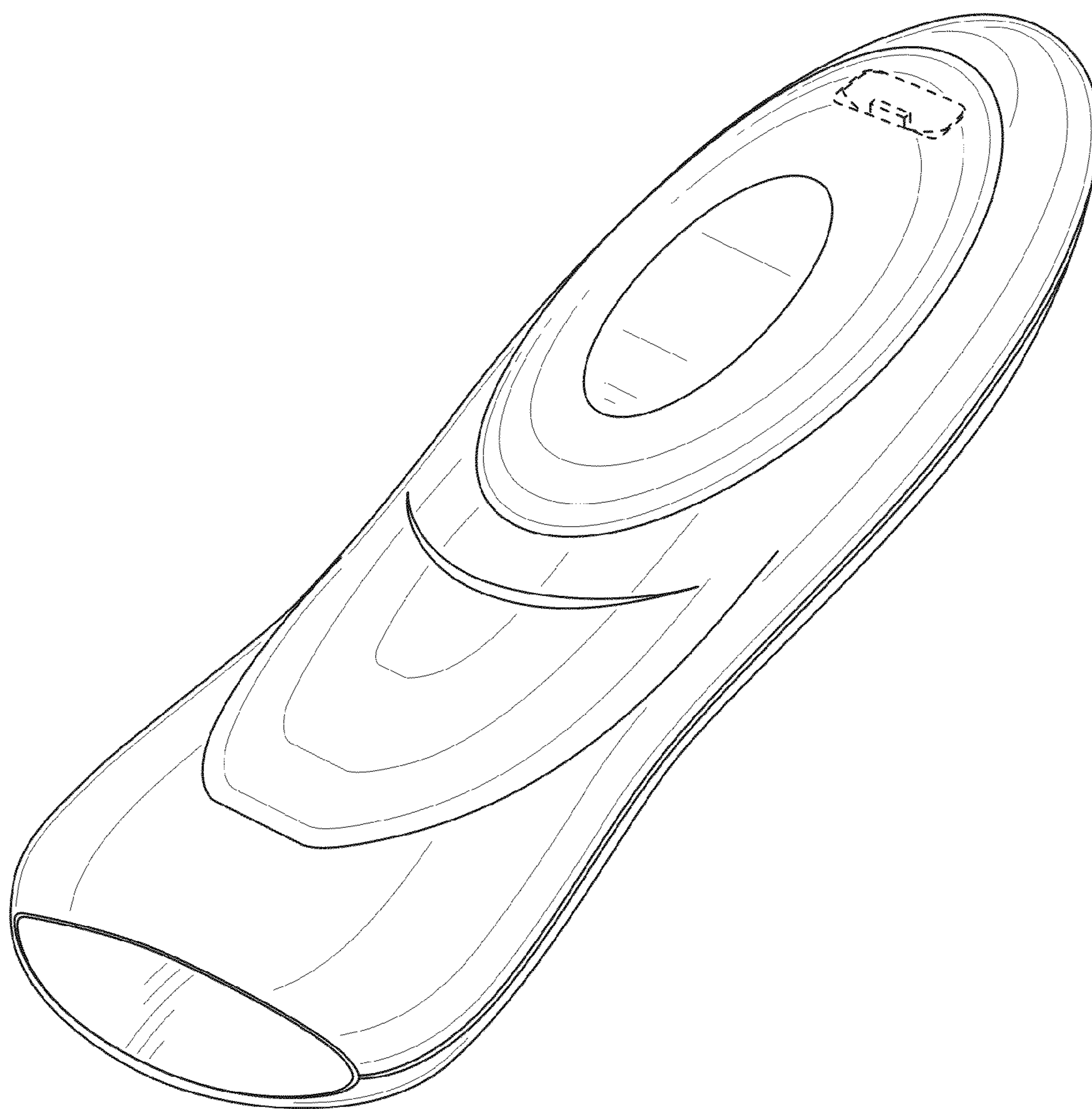


FIG. 8