



US00D715262S

(12) **United States Design Patent**  
**Nakamura**

(10) **Patent No.:** **US D715,262 S**  
(45) **Date of Patent:** **\*\* Oct. 14, 2014**

(54) **SPEAKER**

(75) Inventor: **Toshihiro Nakamura**, Tokyo (JP)

(73) Assignee: **Sony Corporation**, Tokyo (JP)

(\*\*) Term: **14 Years**

(21) Appl. No.: **29/421,174**

(22) Filed: **Jun. 7, 2012**

(30) **Foreign Application Priority Data**

Mar. 8, 2012 (JP) ..... D2012-005305

Mar. 8, 2012 (JP) ..... D2012-005306

(51) **LOC (10) Cl.** ..... **14-01**

(52) **U.S. Cl.**  
USPC ..... **D14/216**

(58) **Field of Classification Search**

USPC ..... D9/436, 437, 516, 519, 556, 557;  
D13/103; D14/135, 137, 155, 158,  
D14/160, 161, 168, 181, 188, 191, 193-198,  
D14/203.6, 204, 206, 209, 209.1, 210, 211,  
D14/215, 216, 257, 258, 314, 353, 354, 358,  
D14/440, 441, 498, 509; D26/26, 28,  
D26/60-62, 72, 73, 93, 94, 97, 118, 124;  
181/144, 145, 147, 148, 150; 222/478,  
222/481, 482; 381/300, 361, 363

See application file for complete search history.

(56) **References Cited**

U.S. PATENT DOCUMENTS

D292,283 S *	10/1987	Matsuda et al.	.....	D14/240
D550,204 S *	9/2007	Kaneda	.....	D14/216
D589,937 S	4/2009	Wada		
D591,725 S	5/2009	Komiyama		
D601,584 S	10/2009	Sawai et al.		
D604,328 S	11/2009	Sawai et al.		
D605,509 S *	12/2009	Leonardis	.....	D9/435
D641,628 S *	7/2011	Baughman	.....	D9/452

\* cited by examiner

*Primary Examiner* — Stella Reid

*Assistant Examiner* — Janice Lim

(74) *Attorney, Agent, or Firm* — Rader, Fishman & Grauer  
PLLC

(57) **CLAIM**

The ornamental design for a speaker, as shown and described.

**DESCRIPTION**

FIG. 1 is a perspective view of a speaker showing my new design;

FIG. 2 is a front elevational view thereof;

FIG. 3 is a left side elevational view thereof;

FIG. 4 is a right side elevational view thereof; and,

FIG. 5 is a top plan view thereof.

All sides not shown in the application form no part of the claimed design.

Portions in broken lines show unclaimed subject matter only and form no part of the claimed design.

**1 Claim, 5 Drawing Sheets**

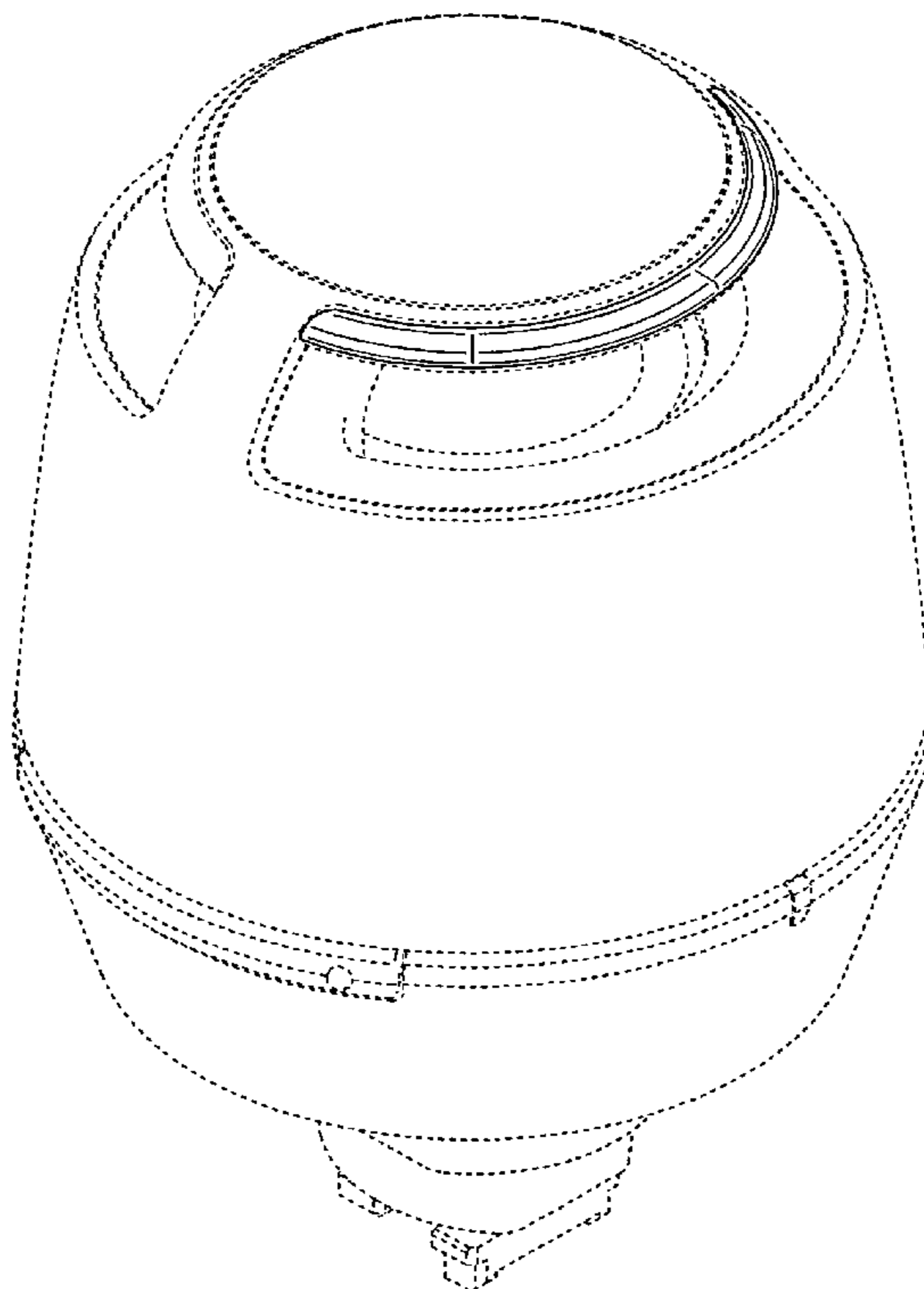


FIG.1

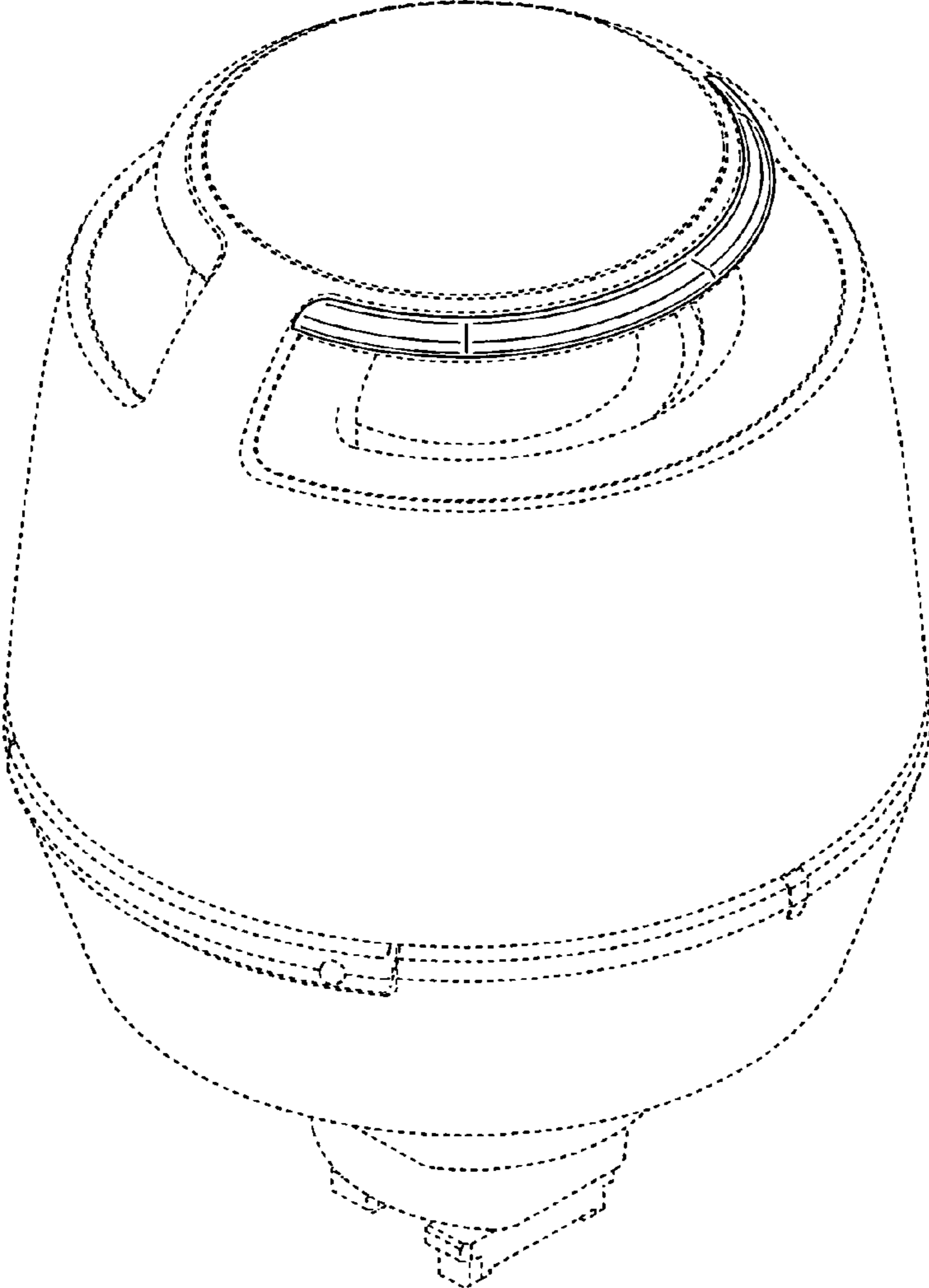


FIG.2

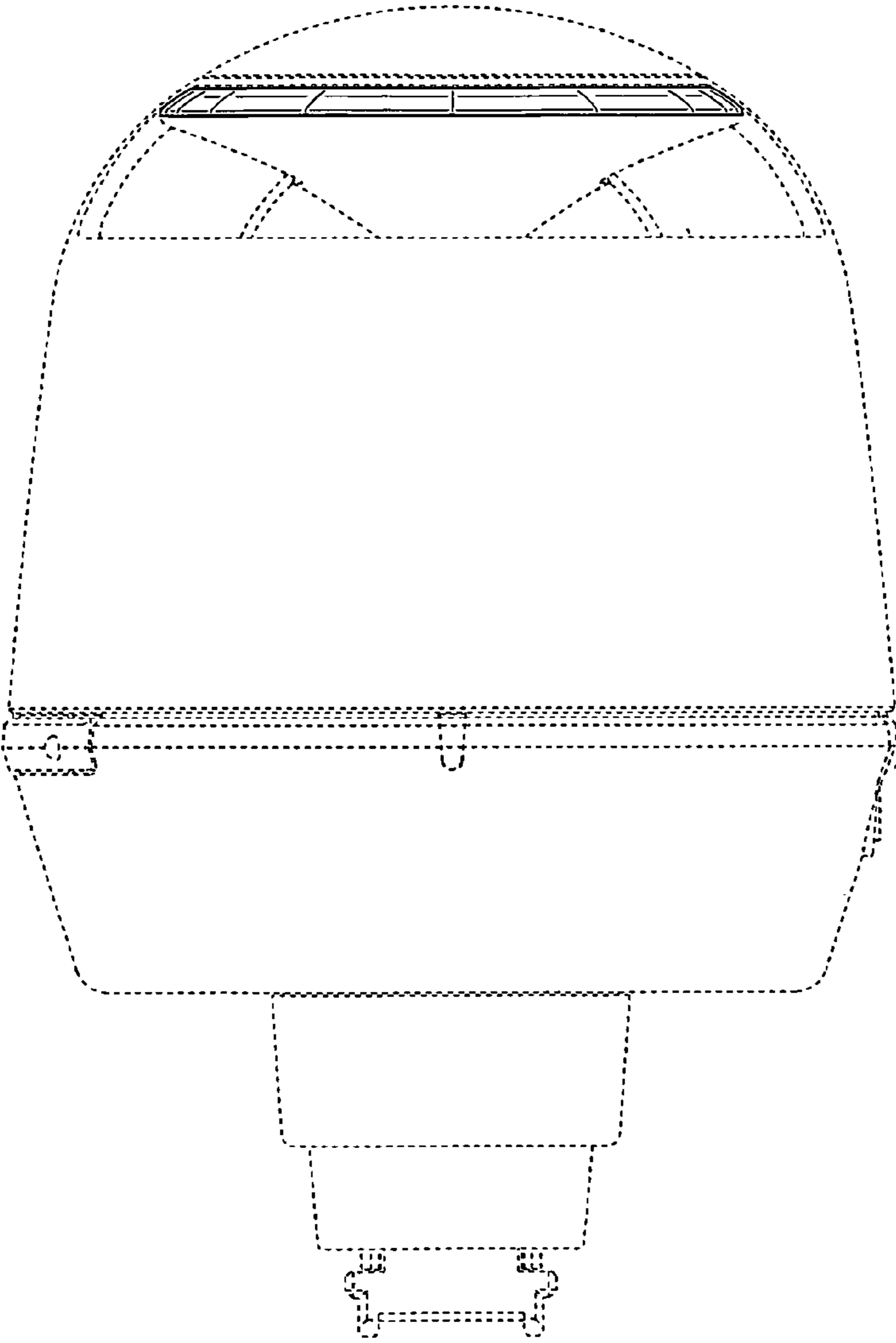


FIG.3

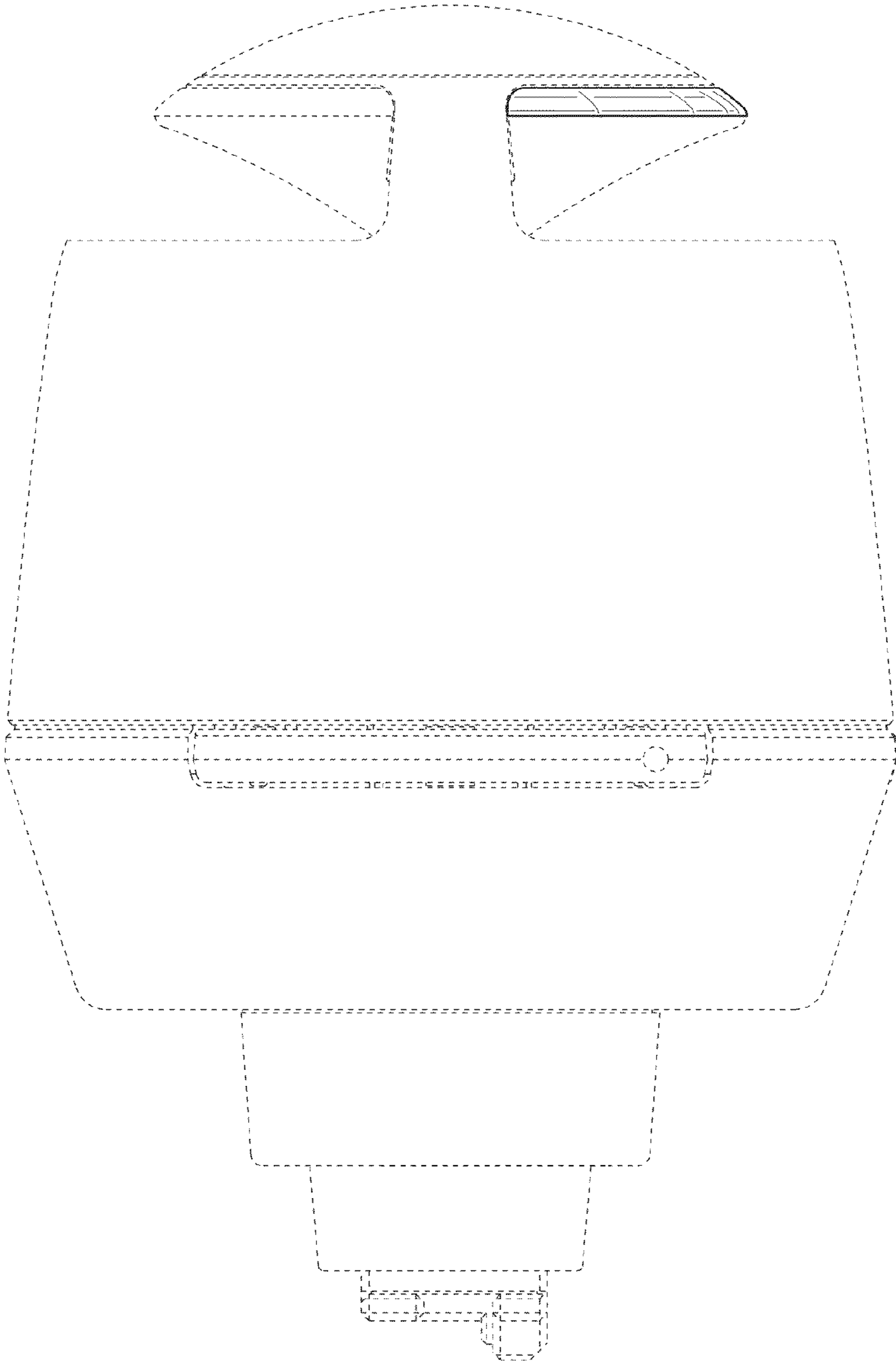


FIG.4

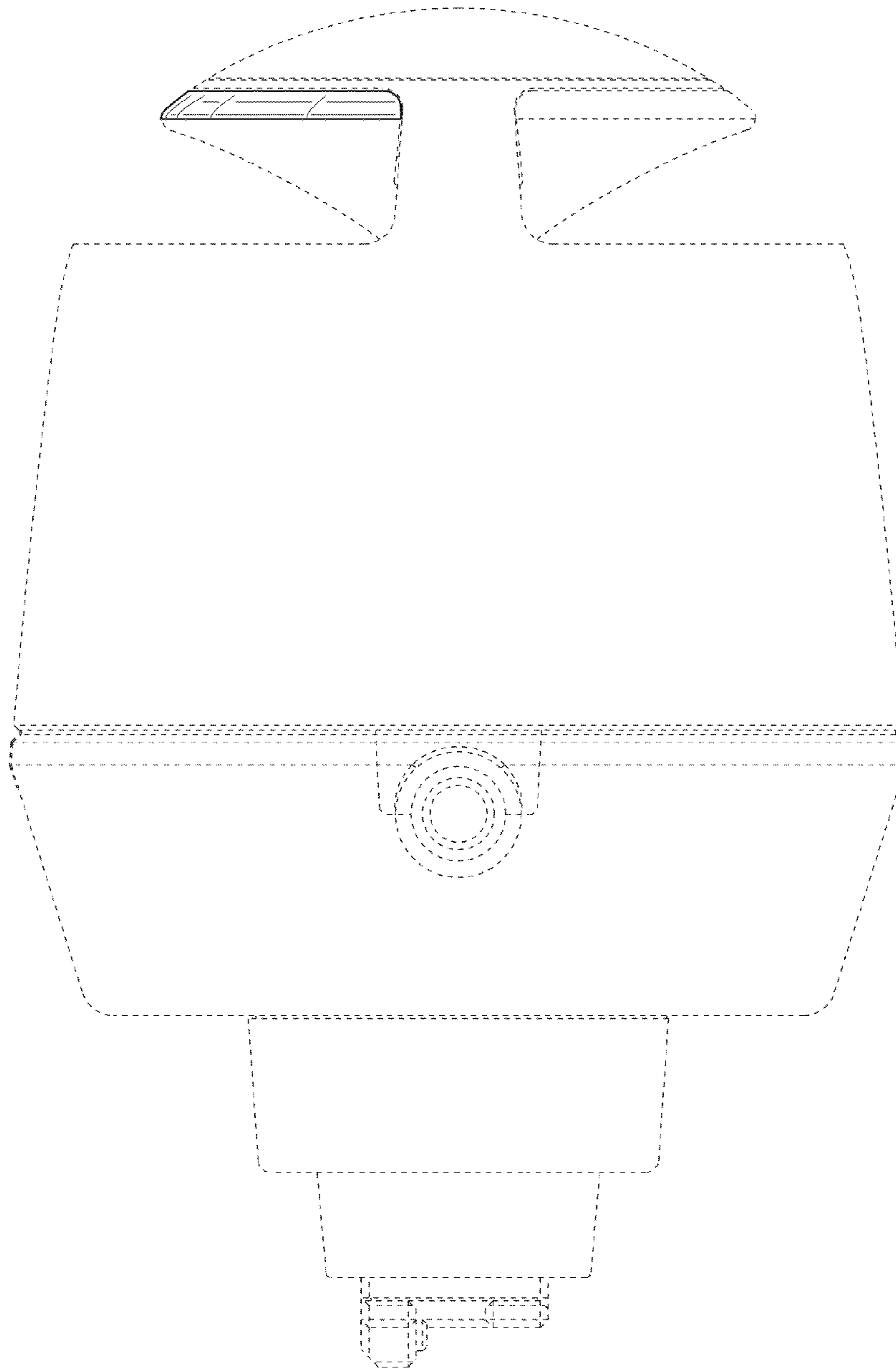


FIG.5

