



US00D715260S

(12) **United States Design Patent**
Kim et al.

(10) **Patent No.:** **US D715,260 S**
(45) **Date of Patent:** **** Oct. 14, 2014**

(54) **SPEAKER**

369/6-12

See application file for complete search history.

(71) Applicant: **Samsung Electronics Co., Ltd.**,
Suwon-si (KR)

(56) **References Cited**

(72) Inventors: **Eui-Seok Kim**, Sunnam-Si (KR);
Chae-Joo Son, Seoul (KR)

U.S. PATENT DOCUMENTS

(73) Assignee: **Samsung Electronics Co., Ltd.**,
Suwon-si (KR)

D261,883	S	*	11/1981	Russell et al.	D14/214
D302,979	S	*	8/1989	Sanders	D14/214
D319,242	S	*	8/1991	Furuno	D14/204
D344,731	S	*	3/1994	Witzky	D14/230
D480,388	S	*	10/2003	Spelman et al.	D14/230
D503,702	S	*	4/2005	Stevens et al.	D14/214
D515,524	S	*	2/2006	Kim et al.	D14/499
D537,069	S	*	2/2007	Ishibashi	D14/214
D565,539	S	*	4/2008	Kim et al.	D14/211
D565,541	S	*	4/2008	Han et al.	D14/211
D597,527	S	*	8/2009	Kim et al.	D14/211
D597,528	S	*	8/2009	Kira	D14/211
D670,268	S	*	11/2012	Allen	D14/211
D671,524	S	*	11/2012	Fathollahi	D14/211

(**) Term: **14 Years**

(21) Appl. No.: **29/460,173**

(22) Filed: **Jul. 9, 2013**

(30) **Foreign Application Priority Data**

Jan. 11, 2013 (KR) 30-2013-0001803

(51) **LOC (10) Cl.** **14-03**

(52) **U.S. Cl.**
USPC **D14/214; D14/213**

(58) **Field of Classification Search**

CPC B60R 11/0217; H04M 1/03; H04M 1/035;
H04N 5/642; H04N 21/4852; H04R 1/02;
H04R 1/06; H04R 1/021; H04R 1/025;
H04R 1/026; H04R 1/028; H04R 1/105;
H04R 1/323; H04R 1/403; H04R 1/2803;
H04R 1/2834; H04R 5/02; H04R 7/20;
H04R 9/06; H04R 9/025; H04R 2201/021;
H04R 2400/00; H04R 2400/07; H04R
2499/11; H04R 2499/13; H04R 2499/15;
H04S 3/00; H04S 7/30; G06F 1/1688
USPC D14/167, 168, 170-172, 188, 194-196,
D14/204, 207, 209.1, 210-216, 221, 222,
D14/224; 181/143, 144, 147, 148, 150, 153,
181/157, 198, 199; 381/300-303, 306, 332,
381/333, 336, 345, 361-364, 386-388;

* cited by examiner

Primary Examiner — Keli L Hill

(74) *Attorney, Agent, or Firm* — NSIP Law

(57) **CLAIM**

The ornamental design for a speaker, as shown and described.

DESCRIPTION

FIG. 1 is a perspective view of a speaker, showing our new design;
FIG. 2 is a front view thereof;
FIG. 3 is a rear view thereof;
FIG. 4 is a left-side view thereof;
FIG. 5 is a right-side view thereof;
FIG. 6 is a top plan view thereof; and,
FIG. 7 is a bottom plan view thereof.
The shade lines in the figures show contour and not surface ornamentation.

1 Claim, 4 Drawing Sheets

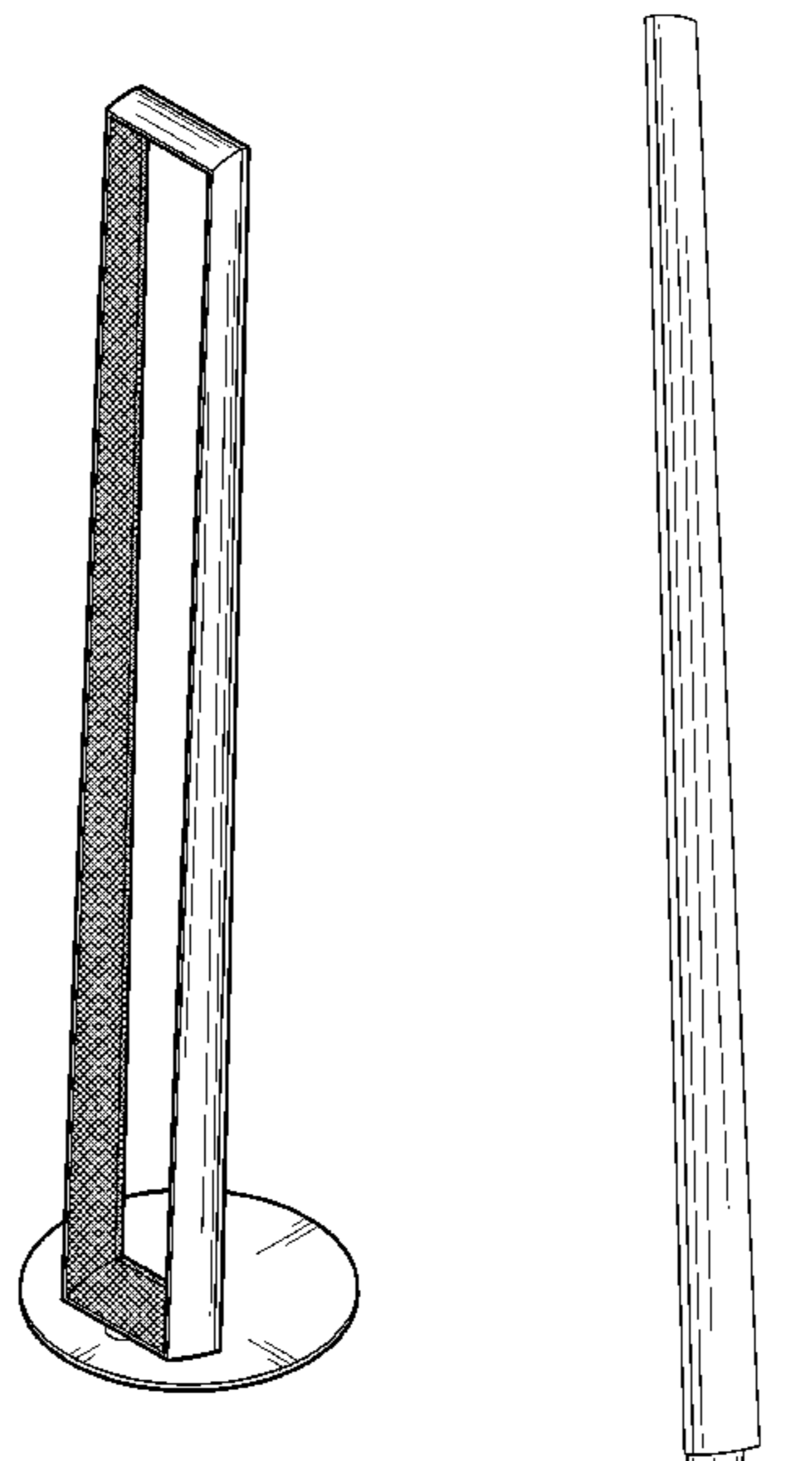


FIG. 1

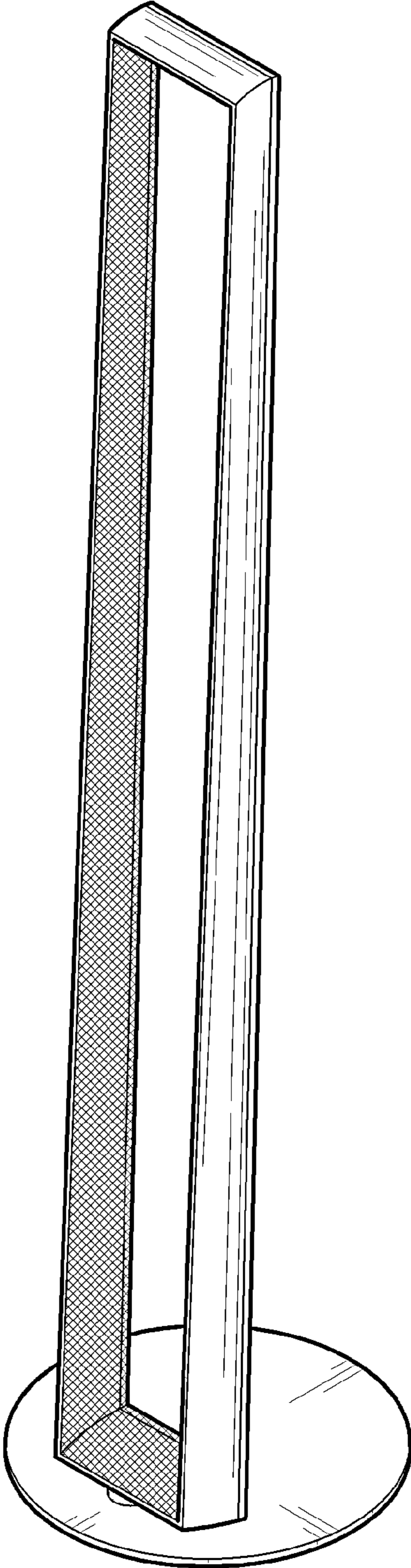


FIG. 2

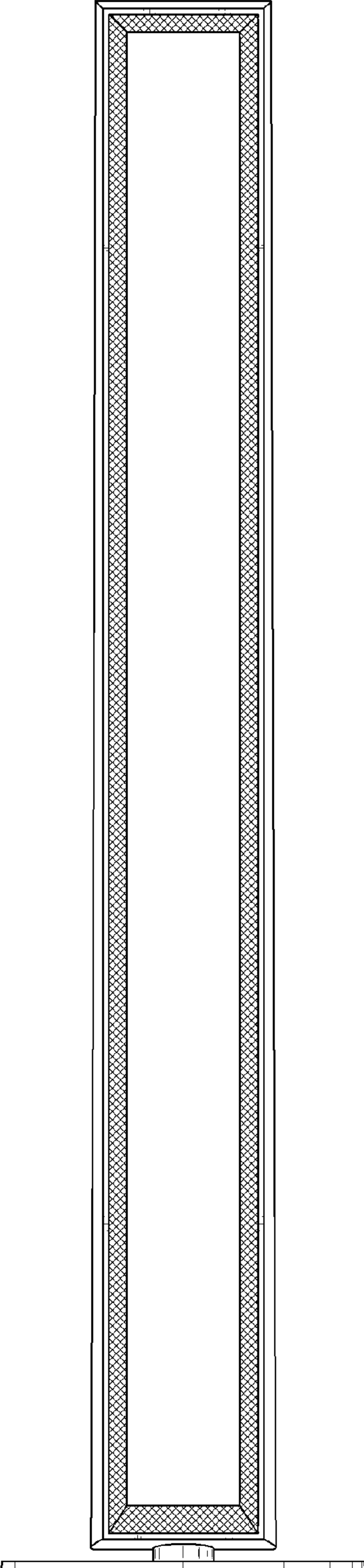


FIG. 3

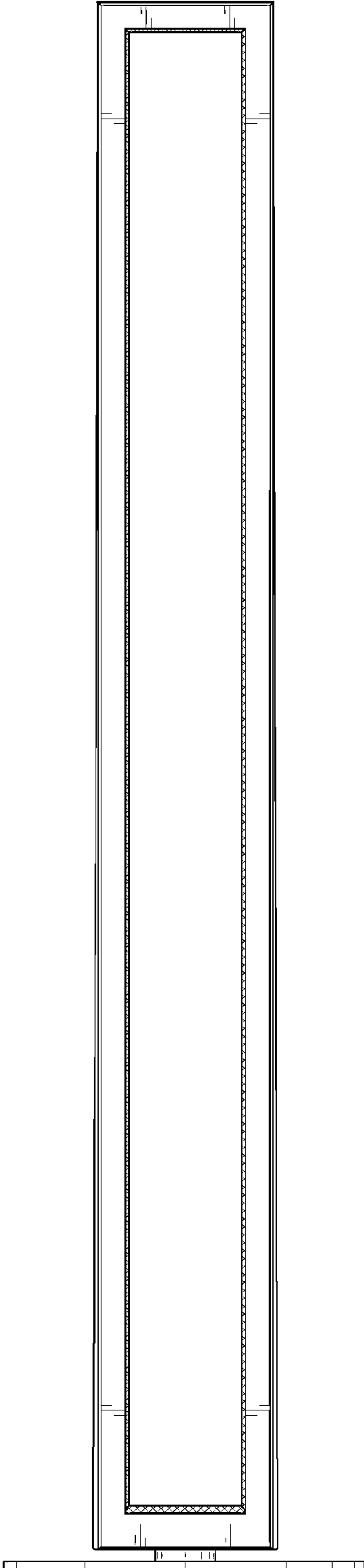


FIG. 4

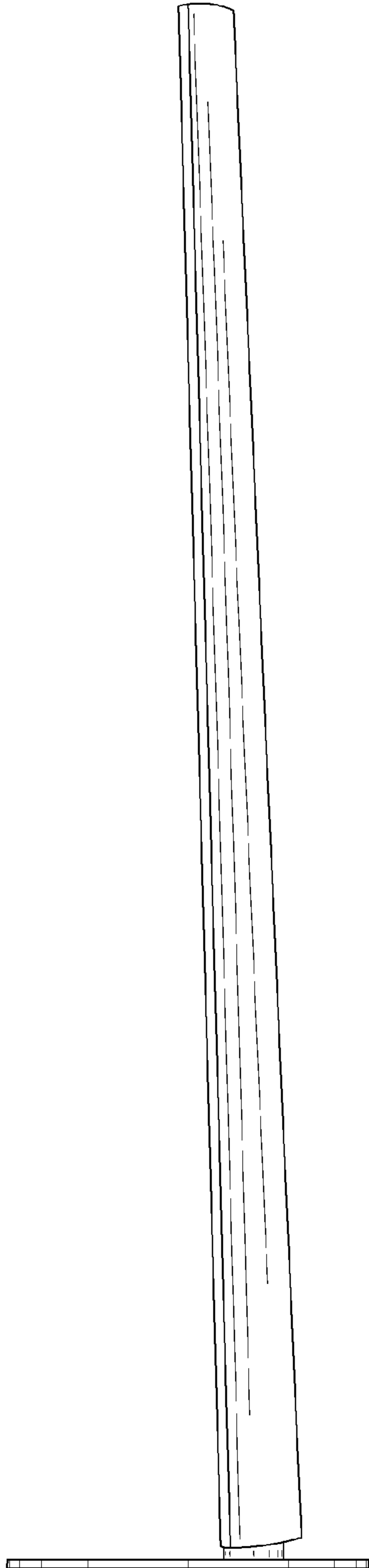


FIG. 5

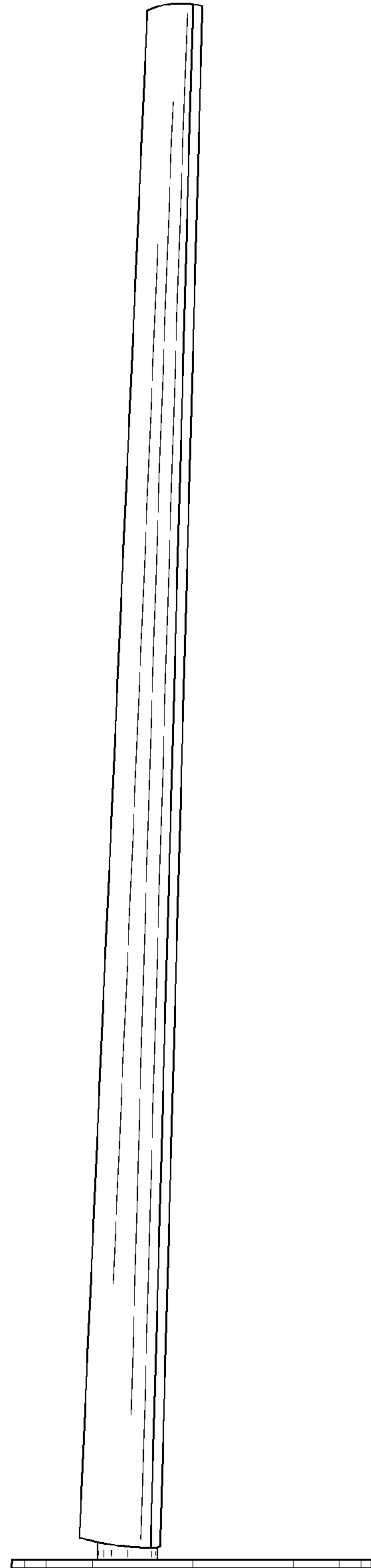


FIG. 6

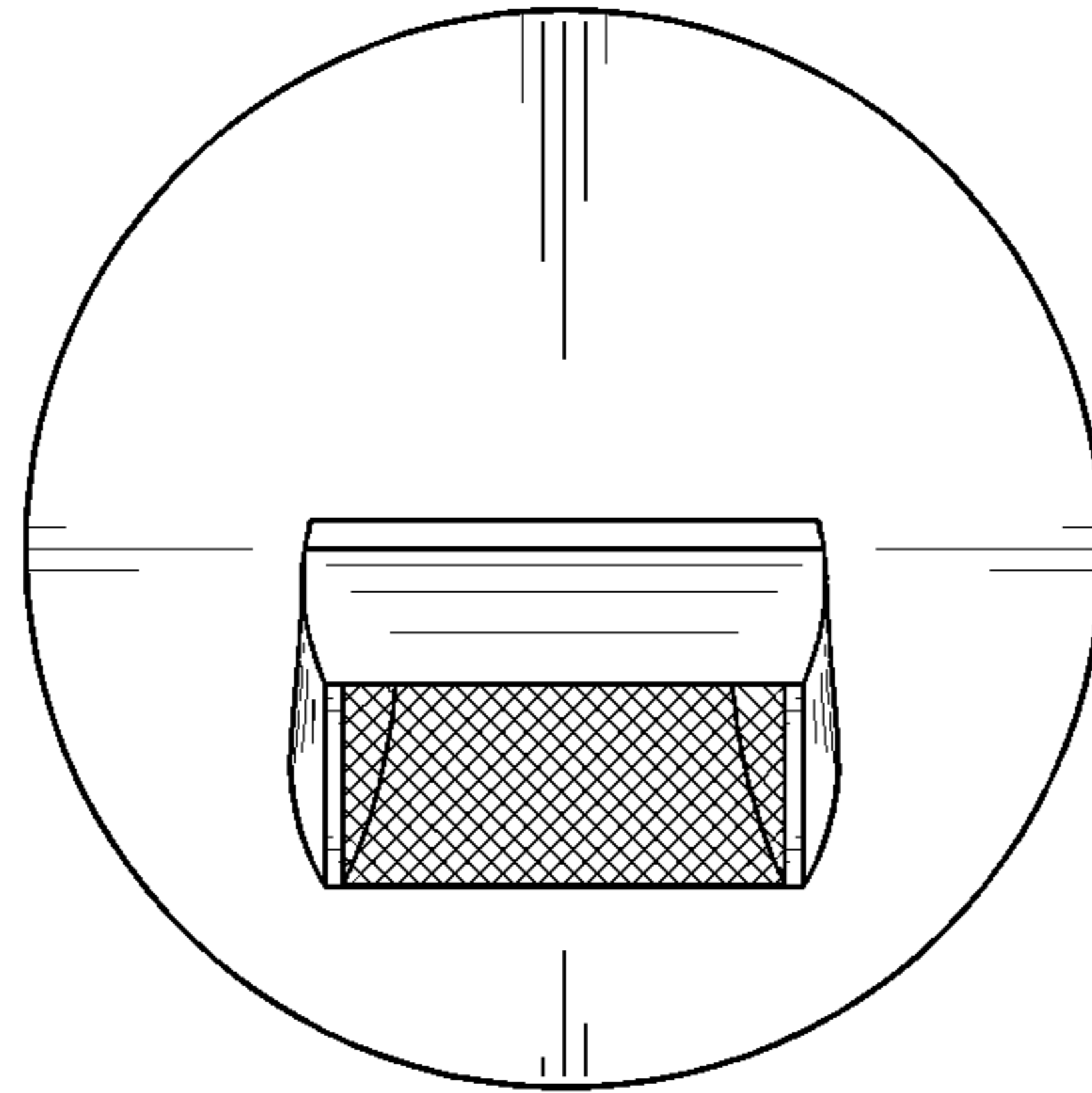


FIG. 7

