



US00D715259S

(12) **United States Design Patent**  
**Han et al.**

(10) **Patent No.:** **US D715,259 S**  
(45) **Date of Patent:** **\*\* Oct. 14, 2014**

(54) **SPEAKER**

381/333, 336, 345, 361–364, 386–388;  
369/6–12

(71) Applicant: **Samsung Electronics Co., Ltd.**,  
Suwon-si (KR)

See application file for complete search history.

(72) Inventors: **Kyu-Mi Han**, Seoul (KR); **Chae-Joo Son**, Namyangju-Si (KR)

(56) **References Cited**

(73) Assignee: **Samsung Electronics Co., Ltd.**,  
Suwon-si (KR)

U.S. PATENT DOCUMENTS

(\*\*) Term: **14 Years**

D348,895 S *	7/1994	Ito .....	D17/22
D398,304 S *	9/1998	Murray et al. ....	D14/137
D398,605 S *	9/1998	Murray et al. ....	D14/137
D538,260 S *	3/2007	Wada .....	D14/188
D660,284 S *	5/2012	Carbone .....	D14/214
D669,883 S *	10/2012	Cheng .....	D14/214
D681,009 S *	4/2013	Meng et al. ....	D14/214
D688,231 S *	8/2013	Nishii .....	D14/214

(21) Appl. No.: **29/459,819**

\* cited by examiner

(22) Filed: **Jul. 3, 2013**

*Primary Examiner* — Keli L Hill

(30) **Foreign Application Priority Data**

(74) *Attorney, Agent, or Firm* — NSIP Law

Jan. 5, 2013 (KR) ..... 30-2013-0000743

(57) **CLAIM**

The ornamental design for a speaker, as shown and described.

(51) **LOC (10) Cl.** ..... **14-03**

**DESCRIPTION**

(52) **U.S. Cl.**

USPC ..... **D14/214**

FIG. 1 is a perspective view of a speaker, showing our new design;

(58) **Field of Classification Search**

CPC .... B60R 11/0217; H04M 1/03; H04M 1/035;  
H04N 5/642; H04N 21/4852; H04R 1/02;  
H04R 1/06; H04R 1/021; H04R 1/025;  
H04R 1/028; H04R 1/105; H04R 1/323;  
H04R 1/403; H04R 1/2803; H04R 1/2834;  
H04R 5/02; H04R 7/20; H04R 9/06; H04R  
9/025; H04R 2201/021; H04R 2400/00;  
H04R 2400/07; H04R 2499/11; H04R  
2499/13; H04R 2499/15; H04S 3/00; H04S  
7/30; G06F 1/1688

FIG. 2 is a front view thereof;  
FIG. 3 is a rear view thereof;  
FIG. 4 is a left-side view thereof;  
FIG. 5 is a right-side view thereof;  
FIG. 6 is a top plan view thereof;  
FIG. 7 is a bottom plan view thereof; and,  
FIG. 8 is a front view thereof, in which a display device in  
broken line is provided to illustrate an example environment.  
The broken lines are for environmental purpose only and  
form no part of the claimed design. The shade lines in the  
figures show contour and not surface ornamentation.

USPC ..... D14/167, 168, 170–172, 188, 194–196,  
D14/204, 207, 209.1, 210–216, 221, 222,  
D14/224; 181/143, 144, 147, 148, 150, 153,  
181/157, 198, 199; 381/300–303, 306, 332,

The diagonal lines in the FIGS. 1 and 6 represent a transparent  
surface.

**1 Claim, 5 Drawing Sheets**

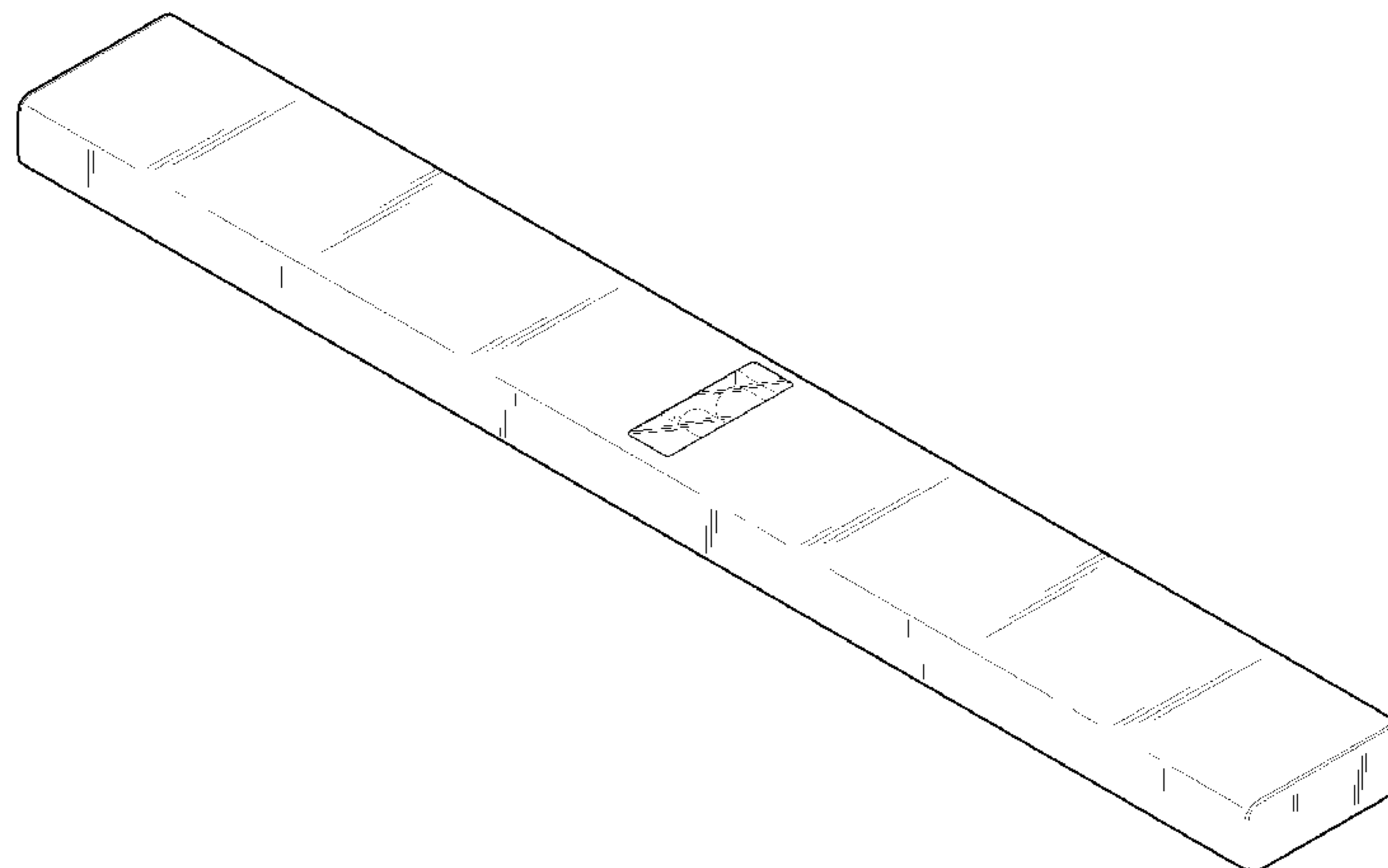


FIG. 1

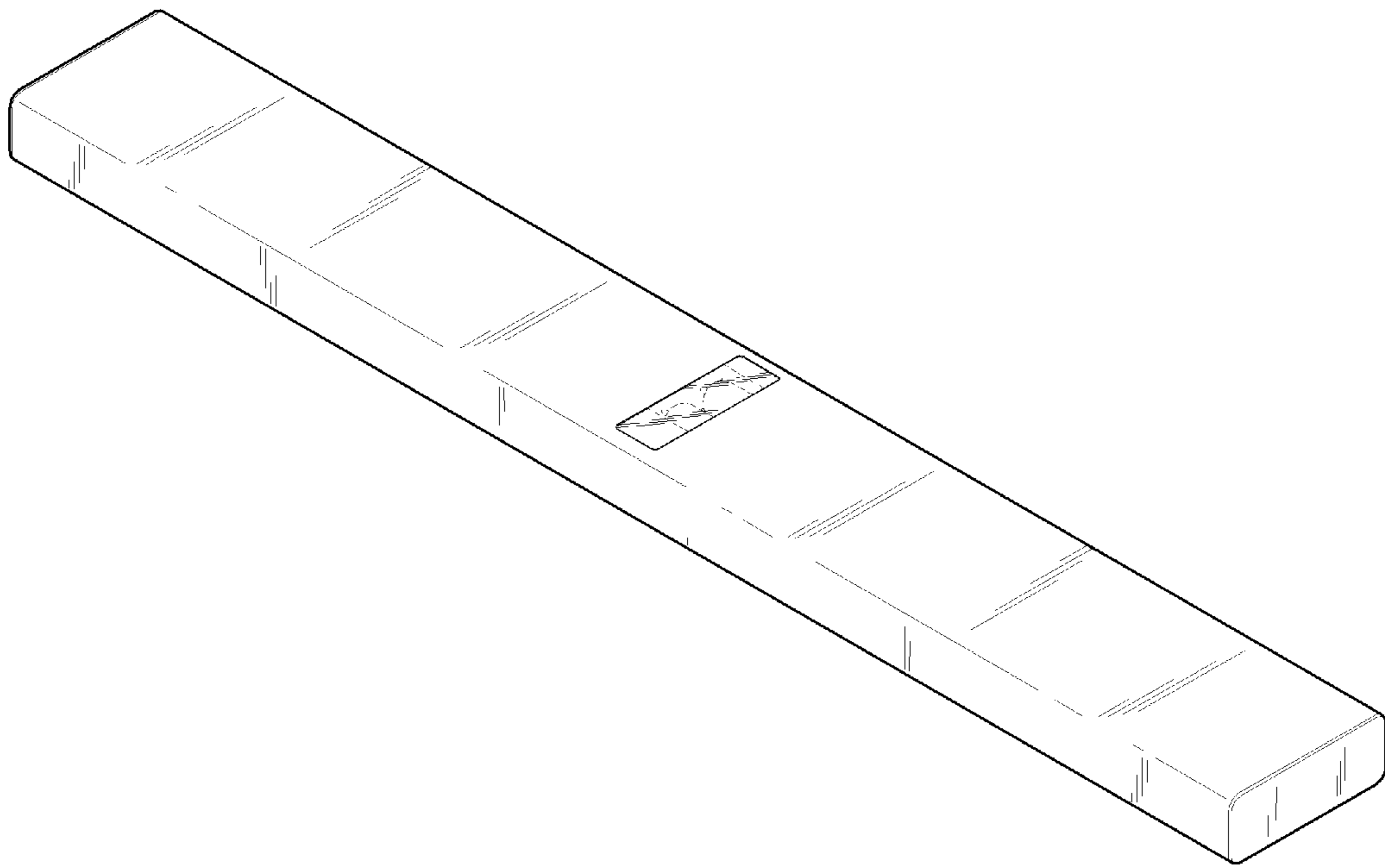


FIG. 2

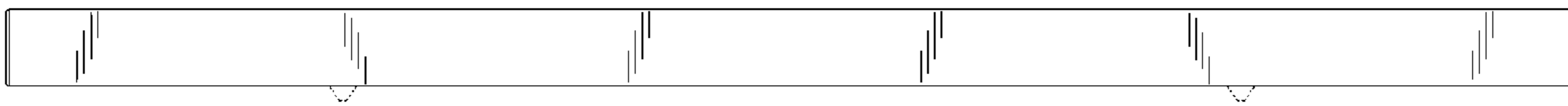


FIG. 3

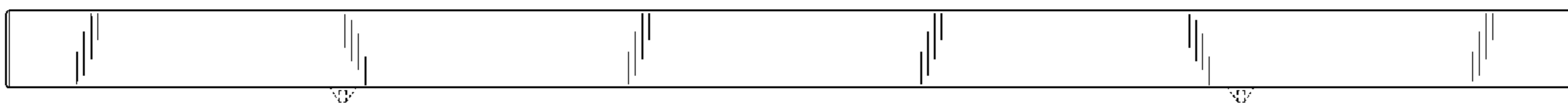


FIG. 4

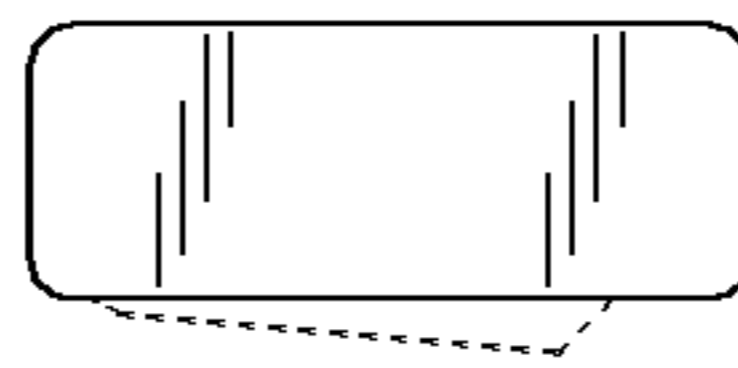


FIG. 5

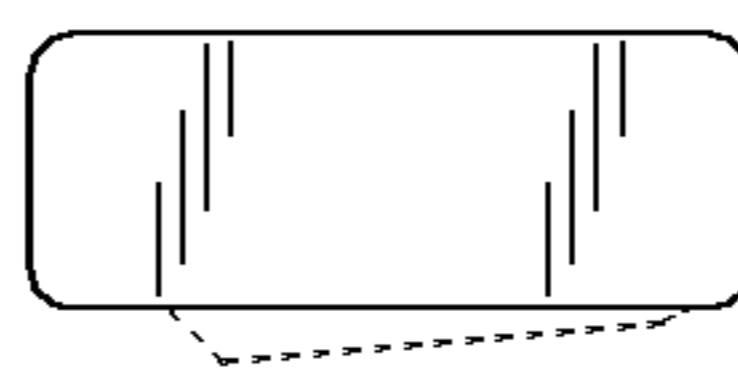


FIG. 6

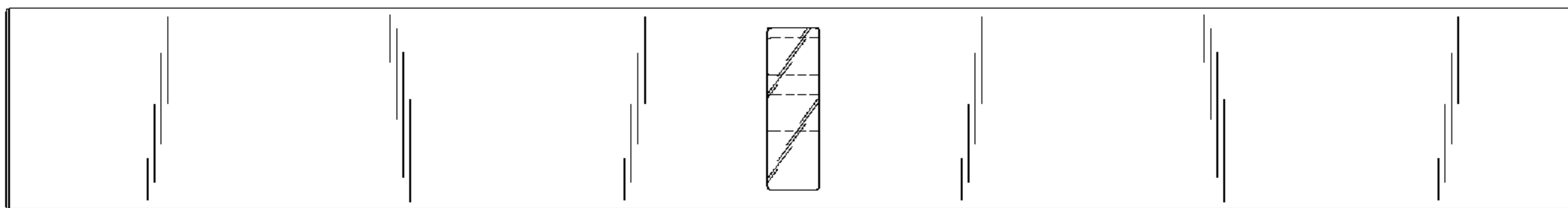


FIG. 7



FIG. 8

