



US00D715258S

(12) **United States Design Patent**  
**Osborn et al.**

(10) **Patent No.:** **US D715,258 S**

(45) **Date of Patent:** **\*\* Oct. 14, 2014**

(54) **BATTERY-POWERED SPEAKER FOR  
HANDHELD DEVICES**

381/333, 336, 345, 361–364, 386–388;  
369/6–12

See application file for complete search history.

(71) Applicants: **Warren Robert Osborn**, Provo, UT  
(US); **John Craig Cheney**, Orem, UT  
(US)

(56) **References Cited**

U.S. PATENT DOCUMENTS

(72) Inventors: **Warren Robert Osborn**, Provo, UT  
(US); **John Craig Cheney**, Orem, UT  
(US)

D579,915	S	*	11/2008	Yeo	.....	D14/214
D597,064	S	*	7/2009	Machida	.....	D14/167
D621,384	S	*	8/2010	Kao	.....	D14/214
D636,759	S	*	4/2011	Chen	.....	D14/214
D684,560	S	*	6/2013	Lee et al.	.....	D14/209.1
D695,710	S	*	12/2013	Szymanski et al.	.....	D14/214

(73) Assignee: **Braven LC**, Provo, UT (US)

\* cited by examiner

(\*\*) Term: **14 Years**

*Primary Examiner* — Keli L Hill

(21) Appl. No.: **29/453,975**

(74) *Attorney, Agent, or Firm* — Angus C. Fox, III

(22) Filed: **May 3, 2013**

(51) **LOC (10) Cl.** ..... **14-03**

(52) **U.S. Cl.**

USPC ..... **D14/214**; D14/212

(58) **Field of Classification Search**

CPC .... B60R 11/0217; H04M 1/03; H04M 1/035;  
H04N 5/642; H04N 21/4852; H04R 1/02;  
H04R 1/06; H04R 1/021; H04R 1/025;  
H04R 1/026; H04R 1/028; H04R 1/105;  
H04R 1/323; H04R 1/403; H04R 1/2803;  
H04R 1/2834; H04R 5/02; H04R 7/20;  
H04R 9/06; H04R 9/025; H04R 2201/021;  
H04R 2400/00; H04R 2400/07; H04R  
2499/11; H04R 2499/13; H04R 2499/15;  
H04S 3/00; H04S 7/30; G06F 1/1688

USPC ..... D14/167, 168, 170–172, 188, 194–196,  
D14/204, 207, 209.1, 210–216, 221, 222,  
D14/224; 181/143, 144, 147, 148, 150, 153,  
181/157, 198, 199; 381/300–303, 306, 332,

(57) **CLAIM**

The ornamental design for a battery-powered speaker for handheld devices, as shown and described.

**DESCRIPTION**

FIG. 1 is a top, front and right side isometric view of a battery-powered speaker for handheld devices, embodying our new design;

FIG. 2 is a top, front and left side isometric view thereof;

FIG. 3 is a bottom, front and left side isometric view thereof;

FIG. 4 is a bottom, front and right side isometric view thereof;

FIG. 5 is a front elevation view thereof;

FIG. 6 is a rear elevation view thereof;

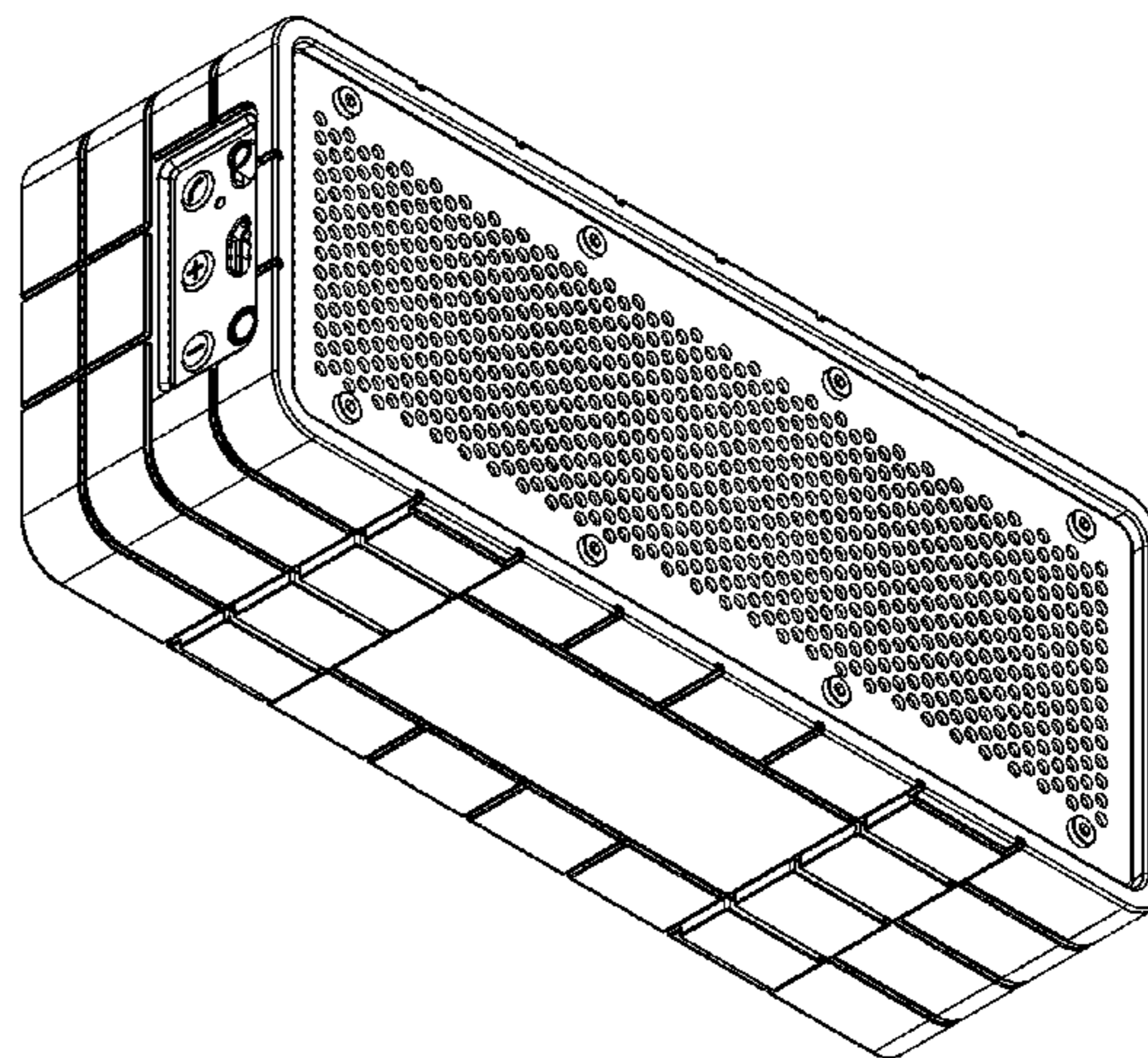
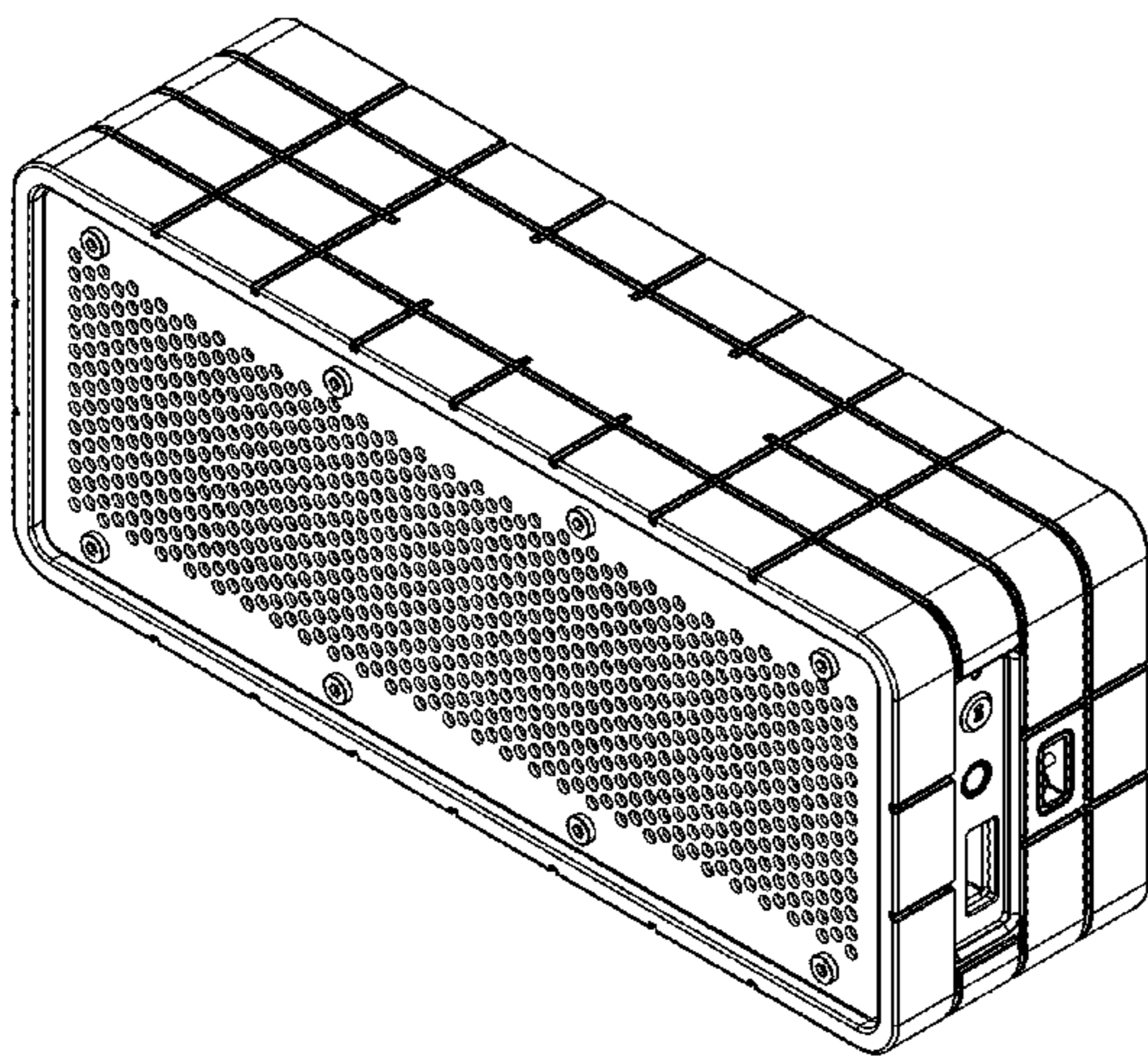
FIG. 7 is a top plan view thereof;

FIG. 8 is a left side elevation view thereof;

FIG. 9 is a bottom plan view thereof; and,

FIG. 10 is a right side elevation view thereof.

**1 Claim, 8 Drawing Sheets**





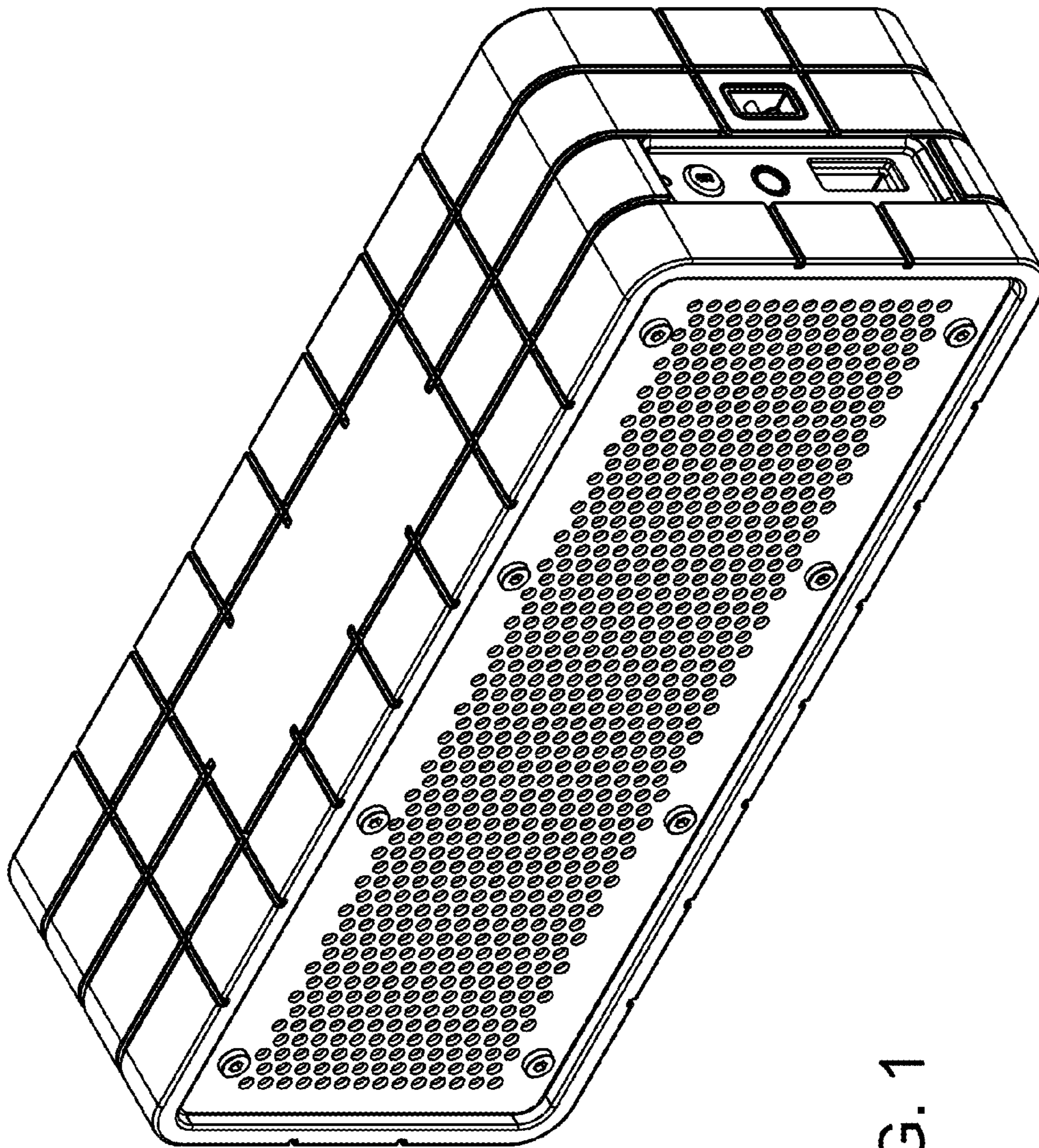


FIG. 1

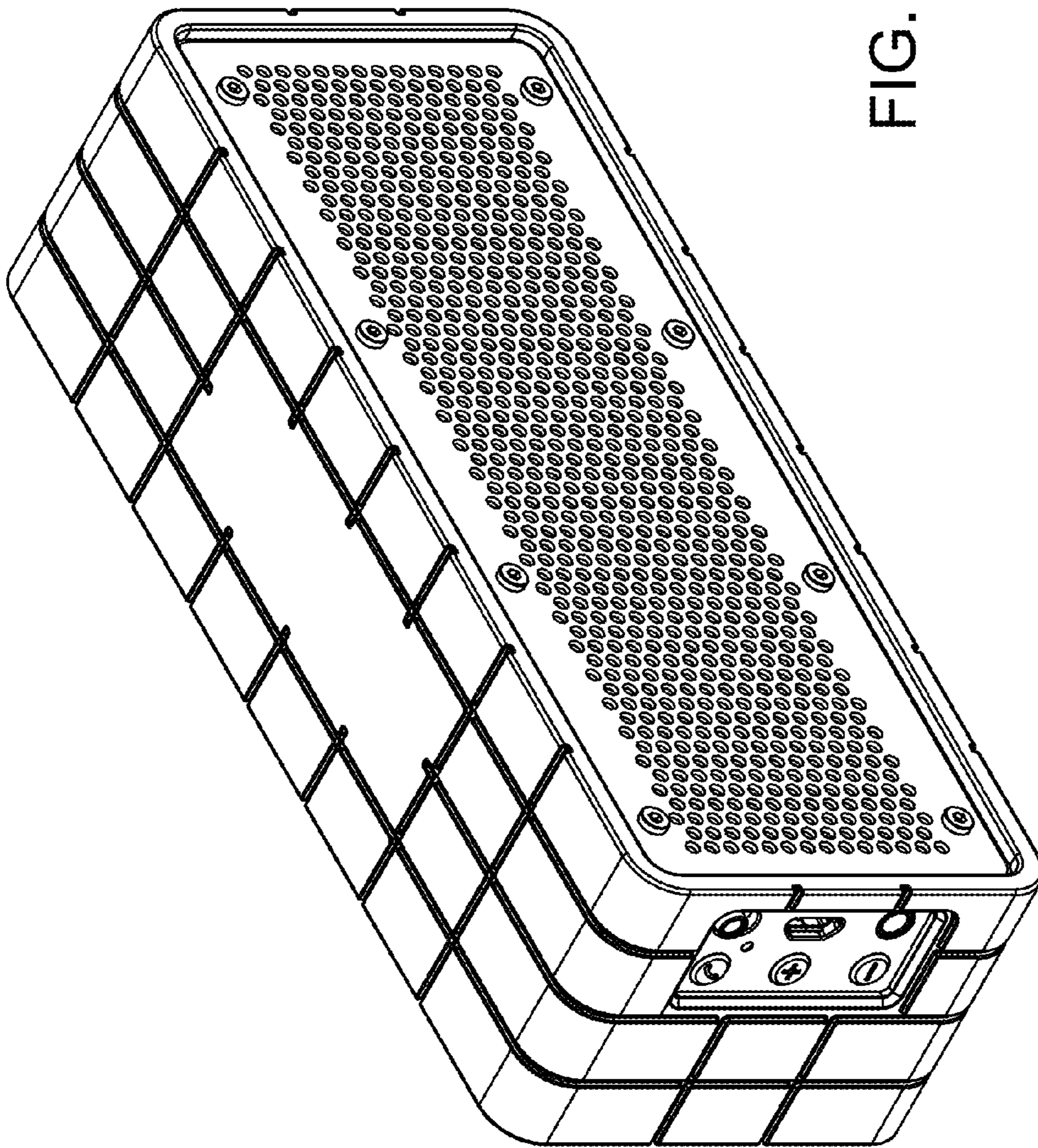


FIG. 2



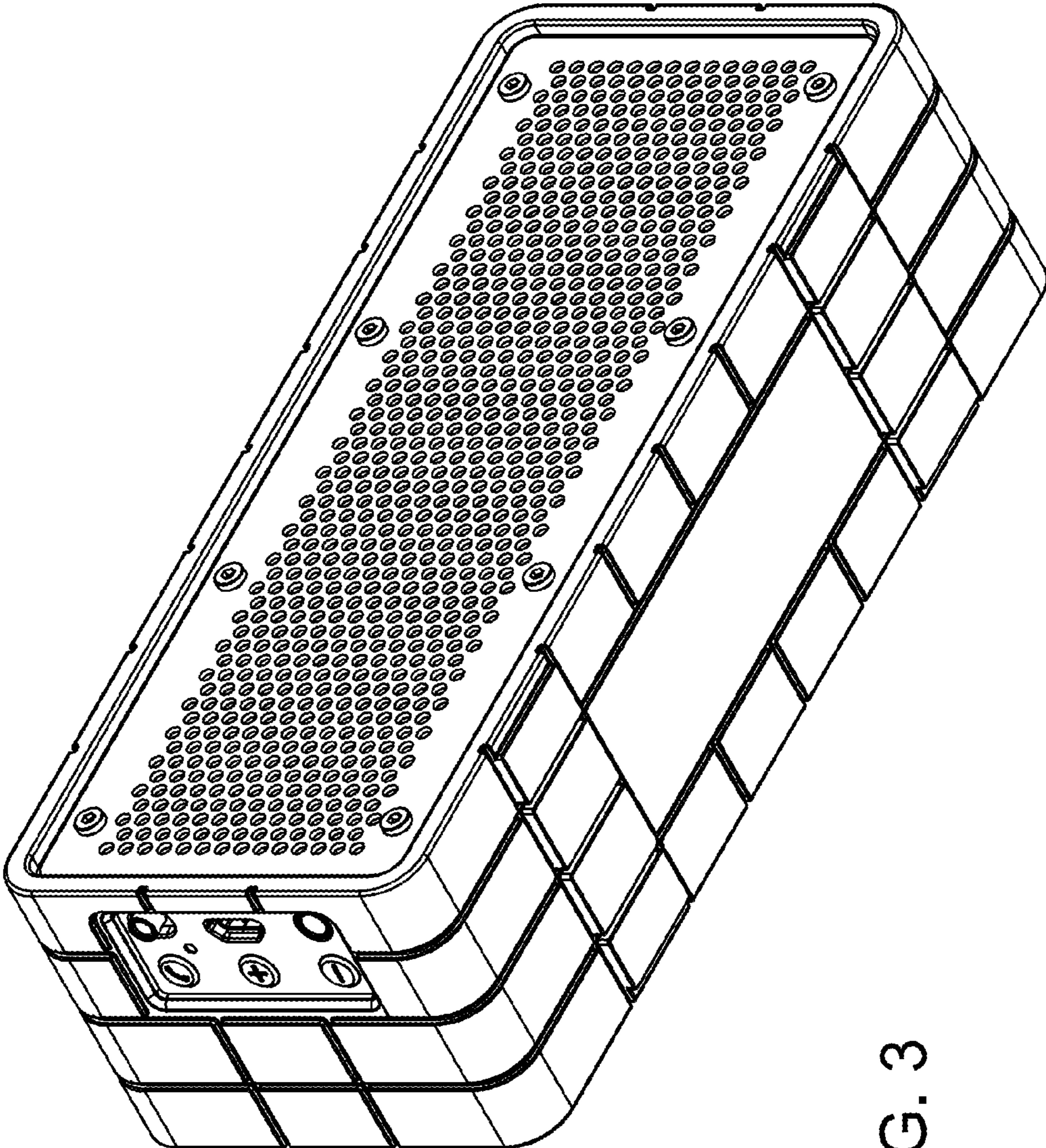


FIG. 3

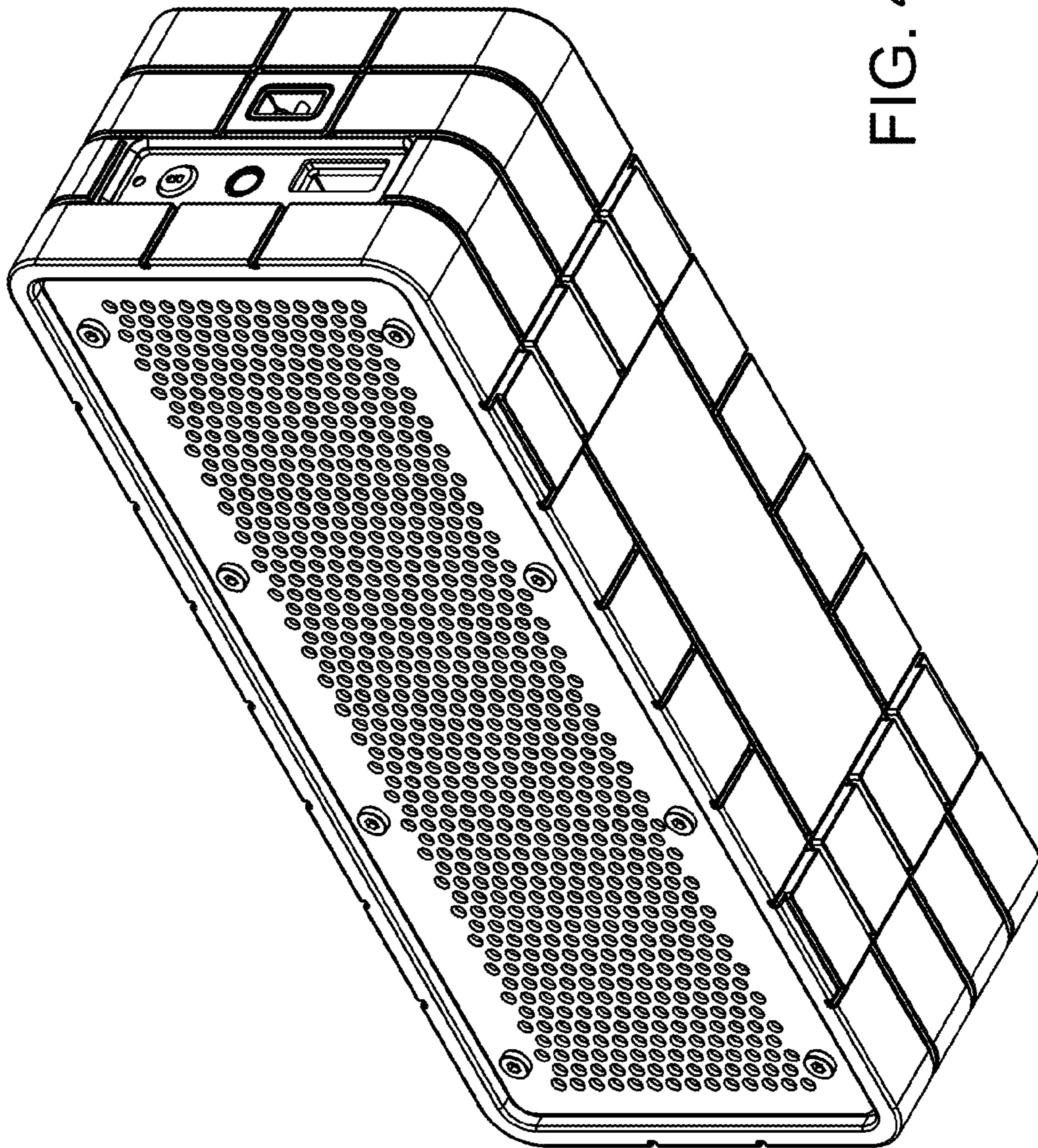


FIG. 4



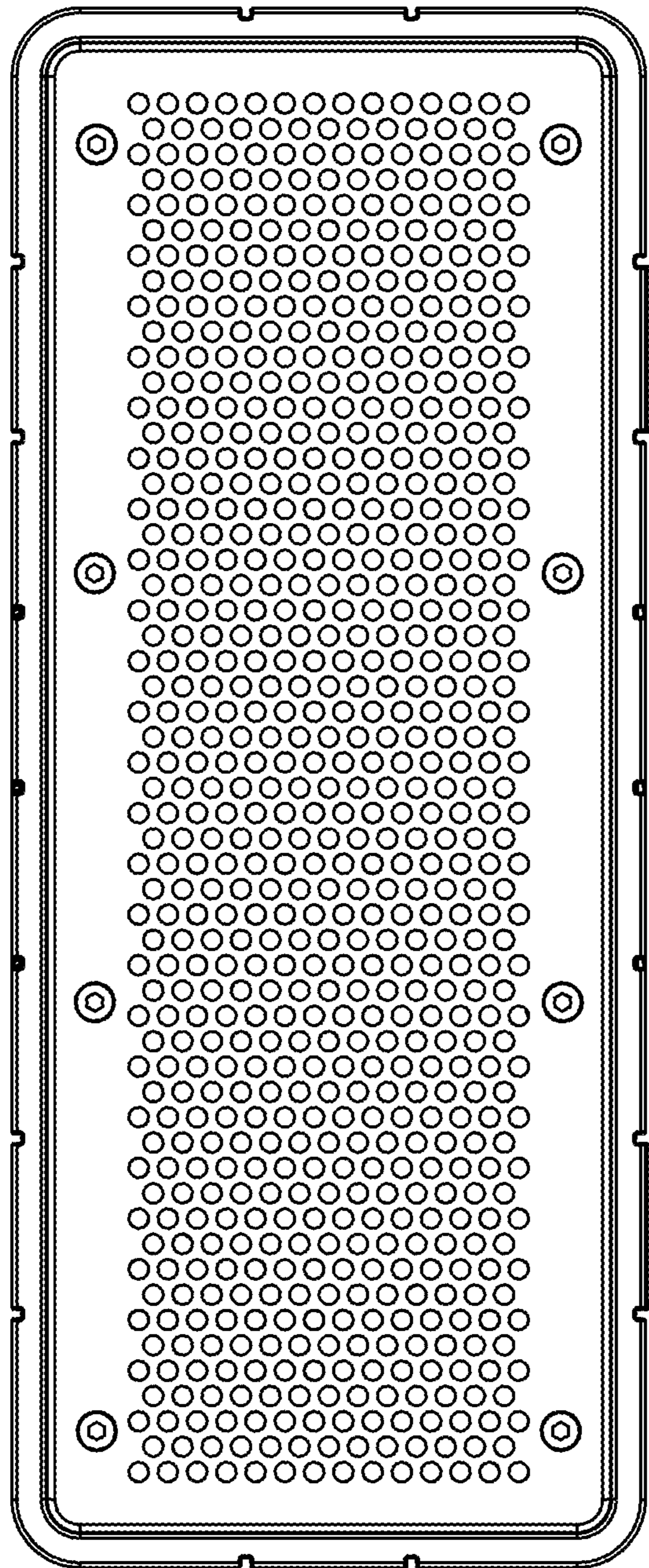


FIG. 5

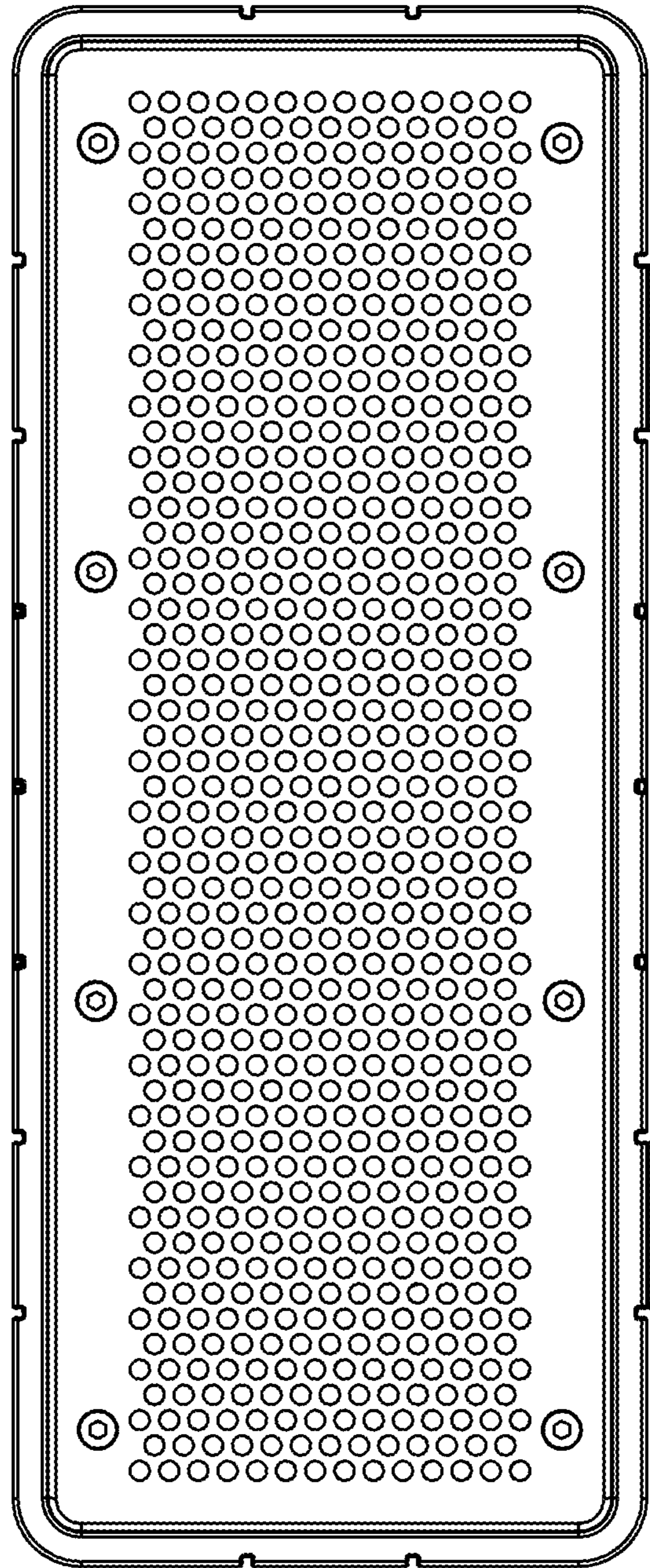


FIG. 6

FIG. 7

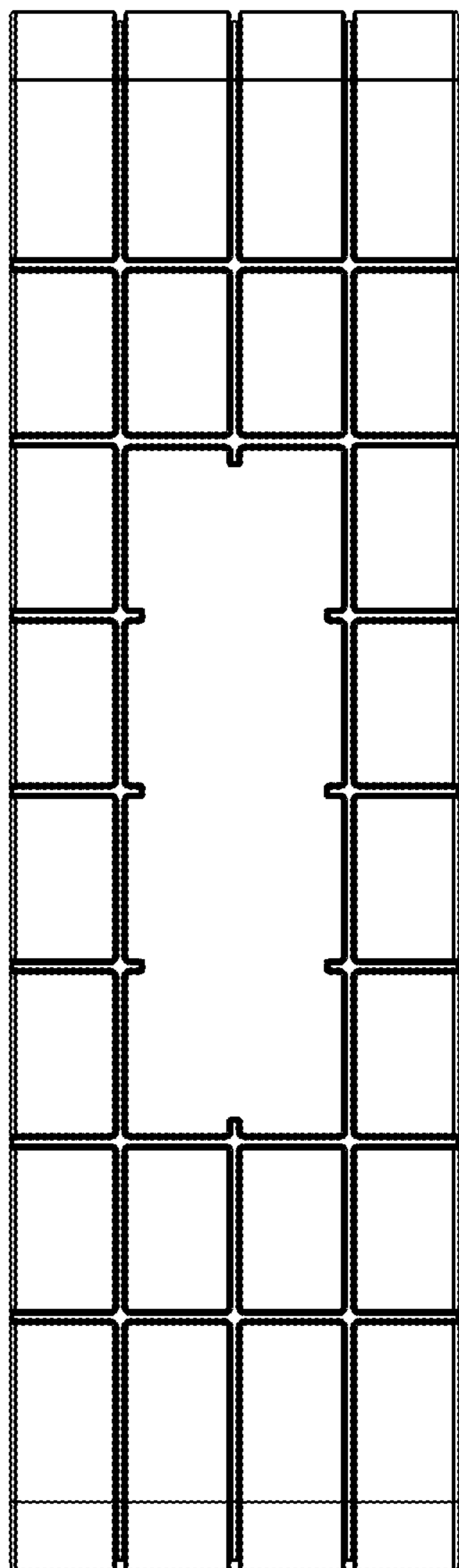


FIG. 8

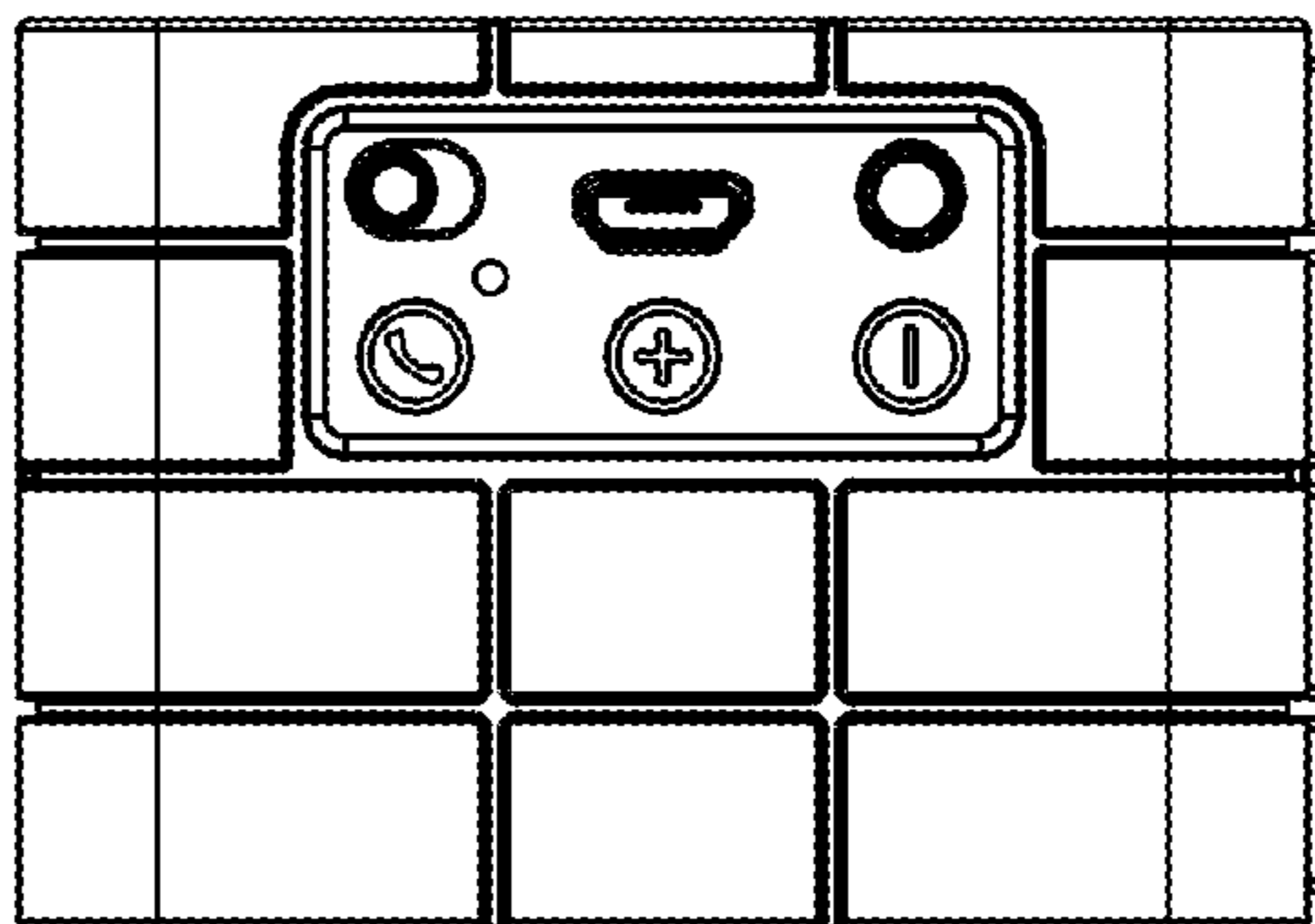




FIG. 9

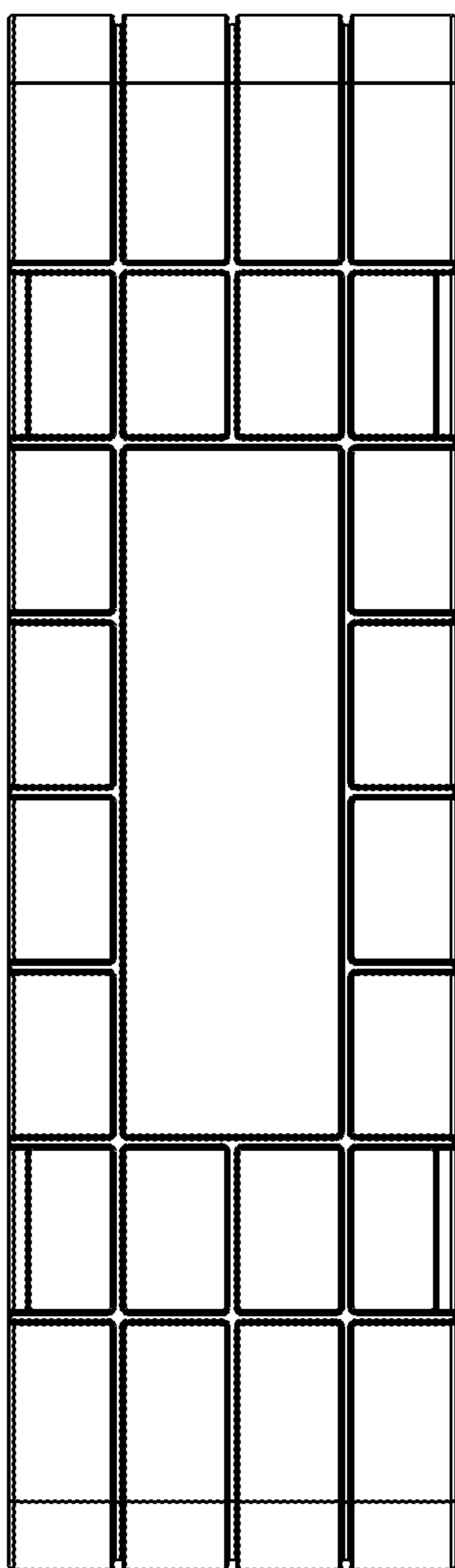


FIG. 10

