



US00D715256S

(12) **United States Design Patent**  
**Jiang et al.**

(10) **Patent No.:** **US D715,256 S**  
(45) **Date of Patent:** **\*\* Oct. 14, 2014**

(54) **HEADSET FOR A COMMUNICATION DEVICE**

(71) Applicant: **Motorola Mobility LLC**, Libertyville, IL (US)

(72) Inventors: **Xinrui Jiang**, Chicago, IL (US);  
**Christopher B Houghton**, Chicago, IL (US); **Dickon Isaacs**, Chicago, IL (US);  
**Peng Jiang**, Duluth, GA (US); **Mark D Zaveson**, Antioch, IL (US)

(73) Assignee: **Motorola Mobility LLC**, Chicago, IL (US)

(\*\*) Term: **14 Years**

(21) Appl. No.: **29/460,887**

(22) Filed: **Jul. 16, 2013**

(51) **LOC (10) Cl.** ..... **14-01**

(52) **U.S. Cl.**  
USPC ..... **D14/206**

(58) **Field of Classification Search**  
CPC ..... H04R 1/10  
USPC ..... D14/206, 205, 223; 181/129, 130, 135;  
379/430, 431; 381/380, 381; 455/90.3,  
455/575.2, 569.1  
See application file for complete search history.

(56) **References Cited**

**U.S. PATENT DOCUMENTS**

6,101,402 A \* 8/2000 Bartha et al. .... 455/569.1  
D443,871 S \* 6/2001 Hofstede et al. .... D14/206

(Continued)

**OTHER PUBLICATIONS**

Jabra, "Jabra Supreme" Bluetooth Headset, [http://www.jabra.com/products/bluetooth/jabra\\_supreme\\_new\\_/jabra\\_supreme\\_new](http://www.jabra.com/products/bluetooth/jabra_supreme_new_/jabra_supreme_new), Jul. 16, 2013, 8 pages.

(Continued)

*Primary Examiner* — Paula Greene

(74) *Attorney, Agent, or Firm* — Gary J. Cunningham

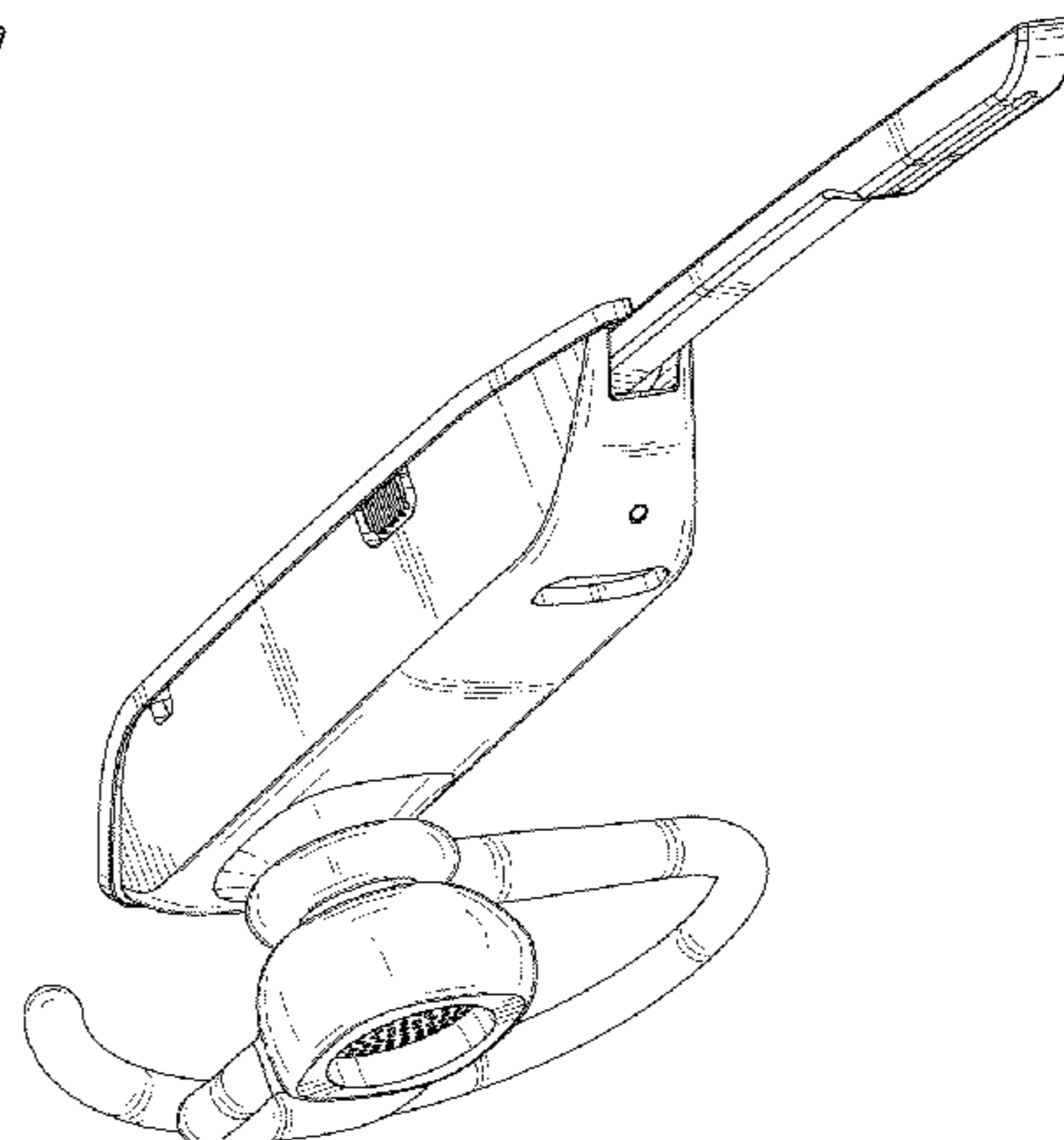
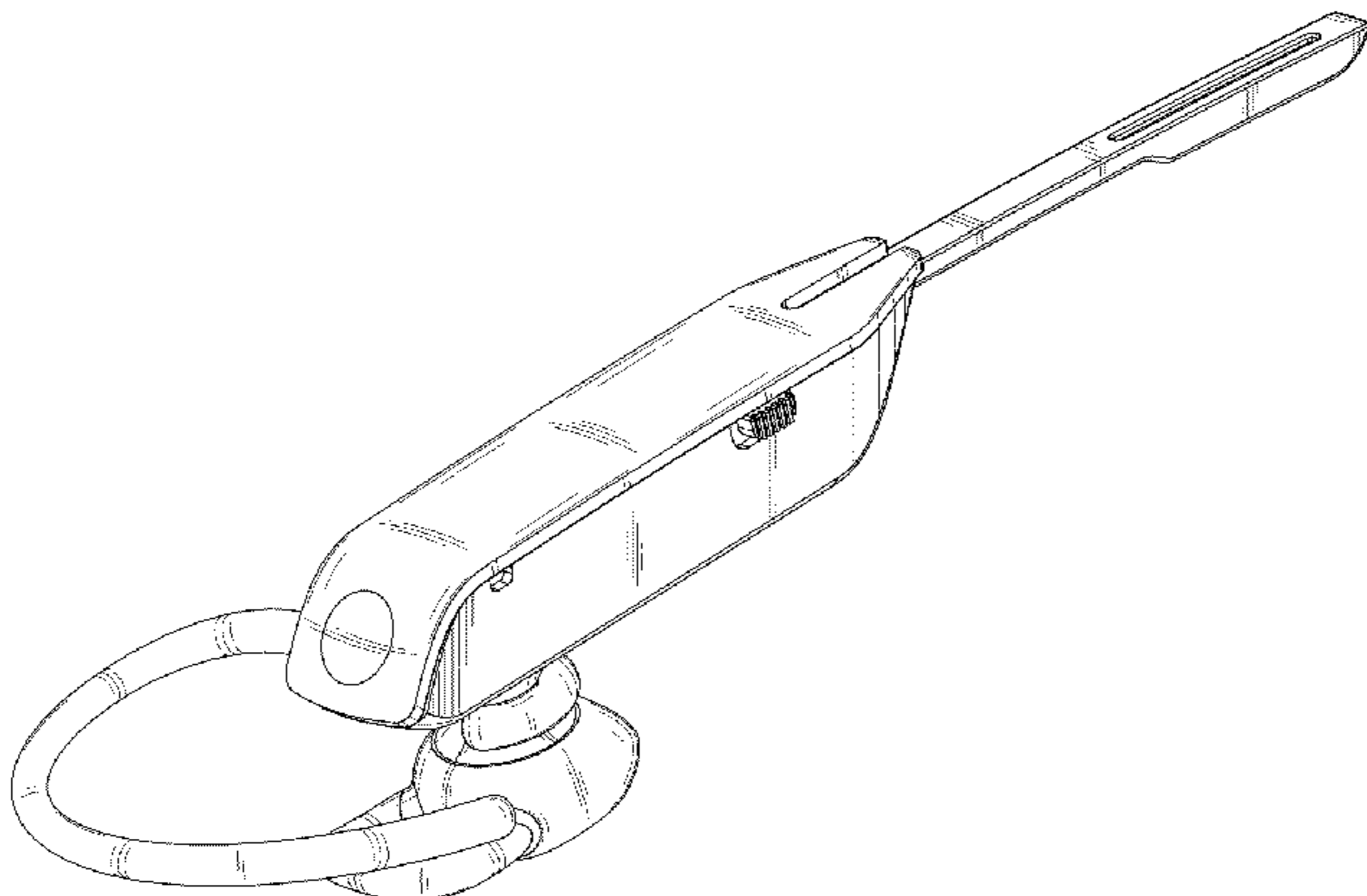
(57) **CLAIM**

The ornamental design for a headset for a communication device, as shown and described.

**DESCRIPTION**

FIG. 1 is a top perspective view of a first embodiment of an ornamental design for a headset for a communication device; FIG. 2 is a bottom perspective view of the first embodiment thereof; FIG. 3 is a first side view of the first embodiment thereof; FIG. 4 is a second side view of the first embodiment thereof; FIG. 5 is a rear view of the first embodiment thereof; FIG. 6 is a front view of the first embodiment thereof; FIG. 7 is a top view of the first embodiment thereof; and FIG. 8 is a bottom view of the first embodiment thereof. FIG. 9 is a top perspective view of a second embodiment of an ornamental design for a headset for a communication device; FIG. 10 is a bottom perspective view of the second embodiment thereof; FIG. 11 is a first side view of the second embodiment thereof; FIG. 12 is a second side view of the second embodiment thereof; FIG. 13 is a rear view of the second embodiment thereof; FIG. 14 is a front view of the second embodiment thereof; FIG. 15 is a top view of the second embodiment thereof; and FIG. 16 is a bottom view of the second embodiment thereof. The broken lines shown in FIGS. 1-16, that are immediately adjacent to the shaded areas, and define unshaded regions, represent the bounds of the first and second embodiments, while all other broken lines are directed to environment and are for illustrative purposes only; the broken lines form no part of the first and second embodiments.

**1 Claim, 10 Drawing Sheets**



(56)

**References Cited**

U.S. PATENT DOCUMENTS

D460,960 S \* 7/2002 Kao ..... D14/223  
D490,399 S \* 5/2004 Kamo et al. .... D14/206  
D492,667 S \* 7/2004 Skulley et al. .... D14/223  
6,819,762 B2 \* 11/2004 Jones et al. .... 379/430  
6,868,284 B2 \* 3/2005 Bae ..... 455/575.2  
D512,992 S \* 12/2005 Murakami ..... D14/223  
D533,540 S \* 12/2006 Murray ..... D14/205  
D552,602 S \* 10/2007 Sade et al. .... D14/223  
D555,153 S \* 11/2007 Wilson et al. .... D14/223  
D577,003 S \* 9/2008 Yang et al. .... D14/206  
D582,388 S \* 12/2008 Nielsen et al. .... D14/205  
D598,895 S \* 8/2009 Bentley et al. .... D14/206  
D600,236 S \* 9/2009 Sanguinetti et al. .... D14/223  
D604,718 S \* 11/2009 Paterson ..... D14/206

D634,300 S \* 3/2011 Yang et al. .... D14/206  
D635,962 S \* 4/2011 Kelley ..... D14/223  
D640,232 S \* 6/2011 Brandis ..... D14/206  
D696,647 S \* 12/2013 Houghton et al. .... D14/223  
2009/0323998 A1 \* 12/2009 Tarvonen et al. .... 381/375

OTHER PUBLICATIONS

Amazon, "Samsung HM7000 Wireless Handsfree Bluetooth Headset with Isolating Dual-Mic Noise Canceling Technology, Supports Music Streaming and Mobile Charging (Black)", <http://www.amazon.com/dp/B005RUP5UI>, Jul. 16, 2013, 8 pages.

Lets Go Mobile, "Bluetooth Headset with Noise Navigation", <http://www.letsgomobile.org/en/3215/headset-bluetooth/>, Jul. 16, 2013, 2 pages.

\* cited by examiner

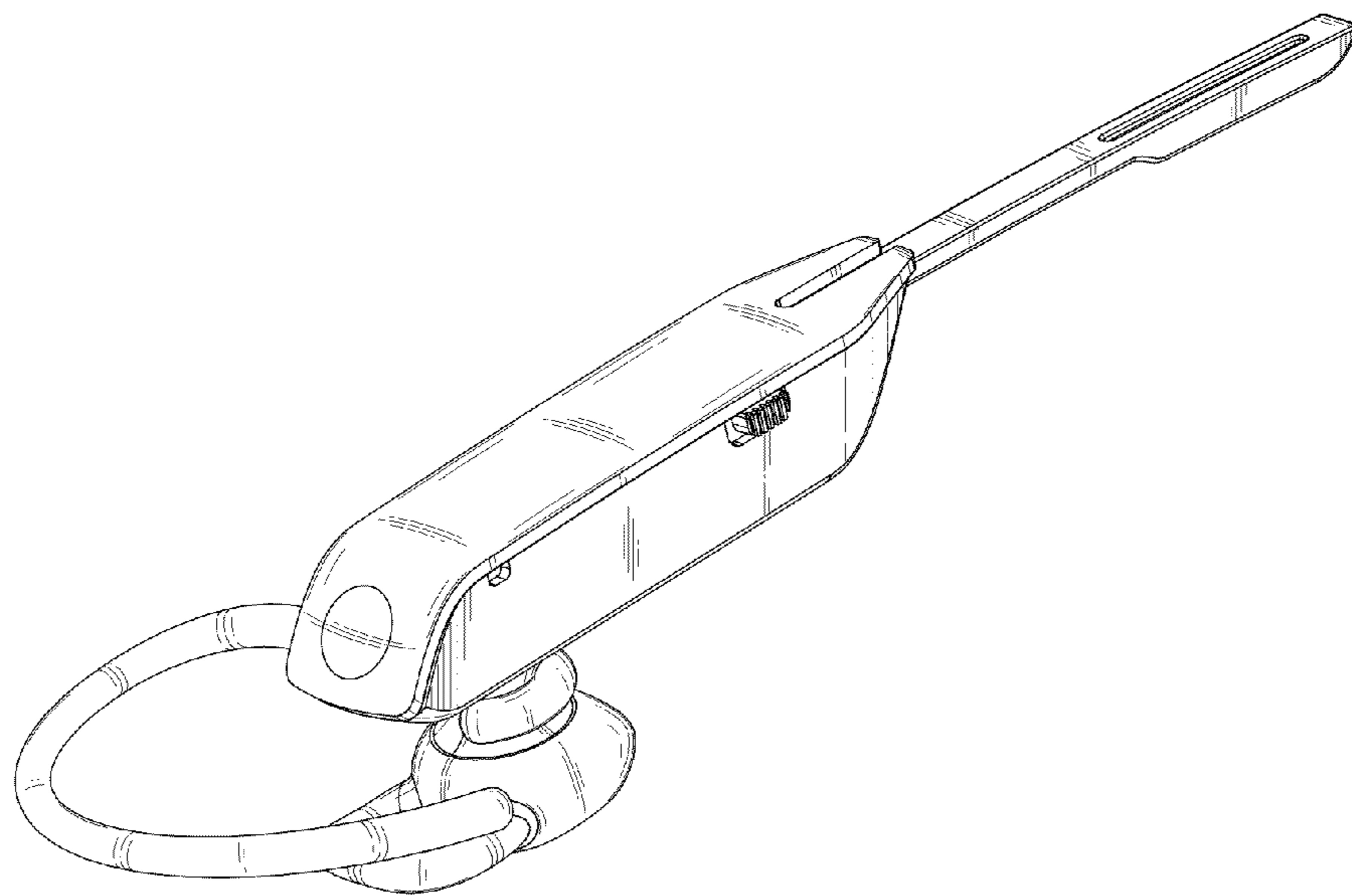


FIG. 1

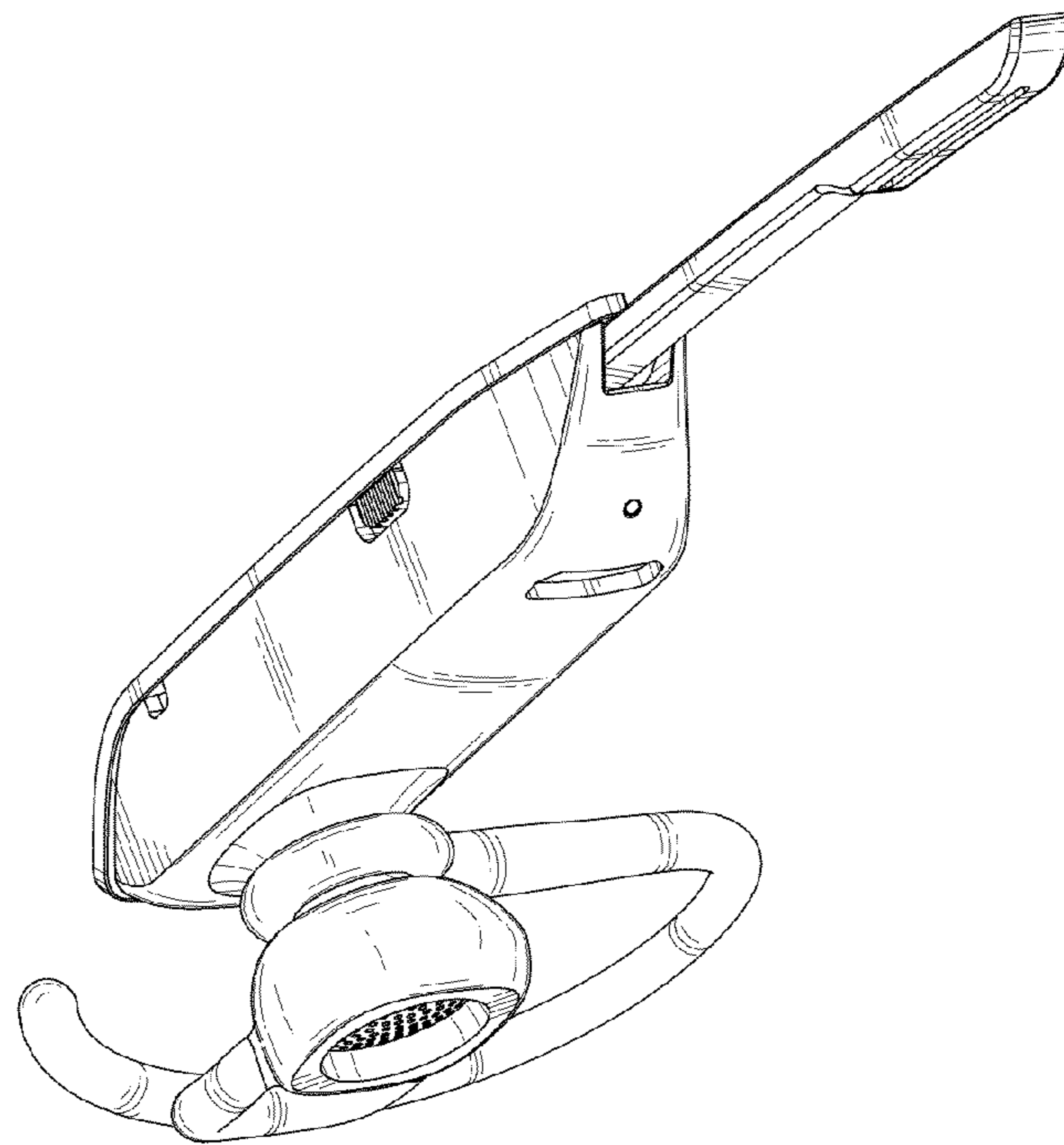


FIG. 2

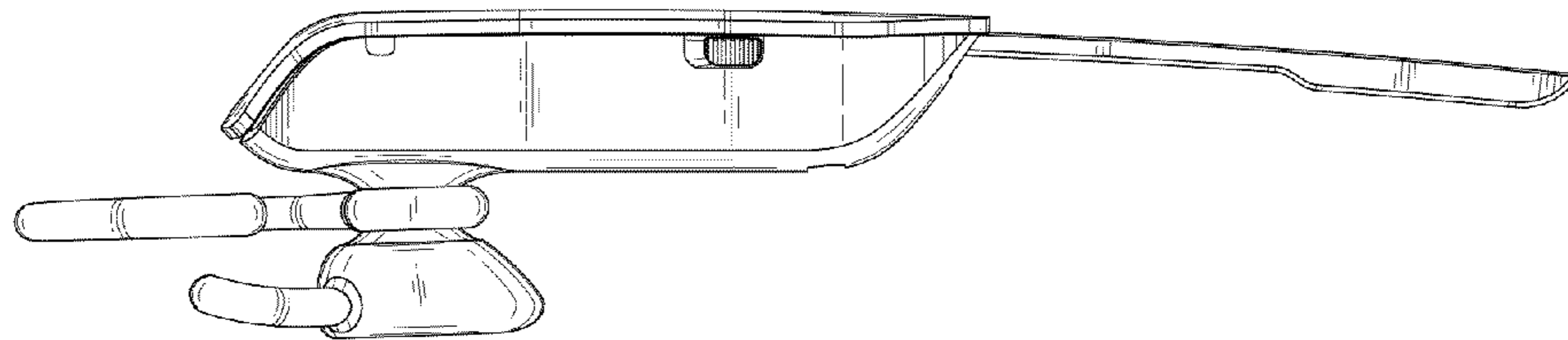


FIG. 3

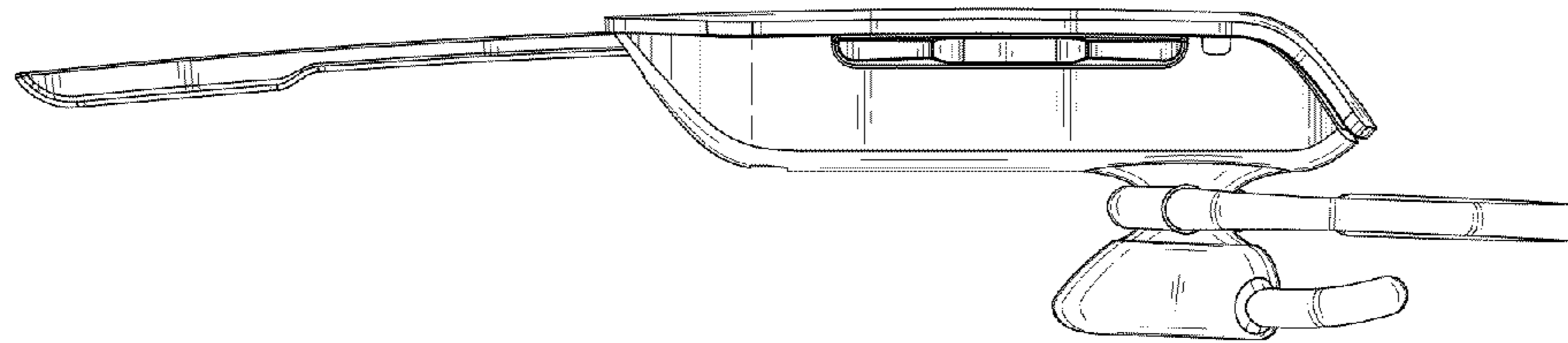


FIG. 4

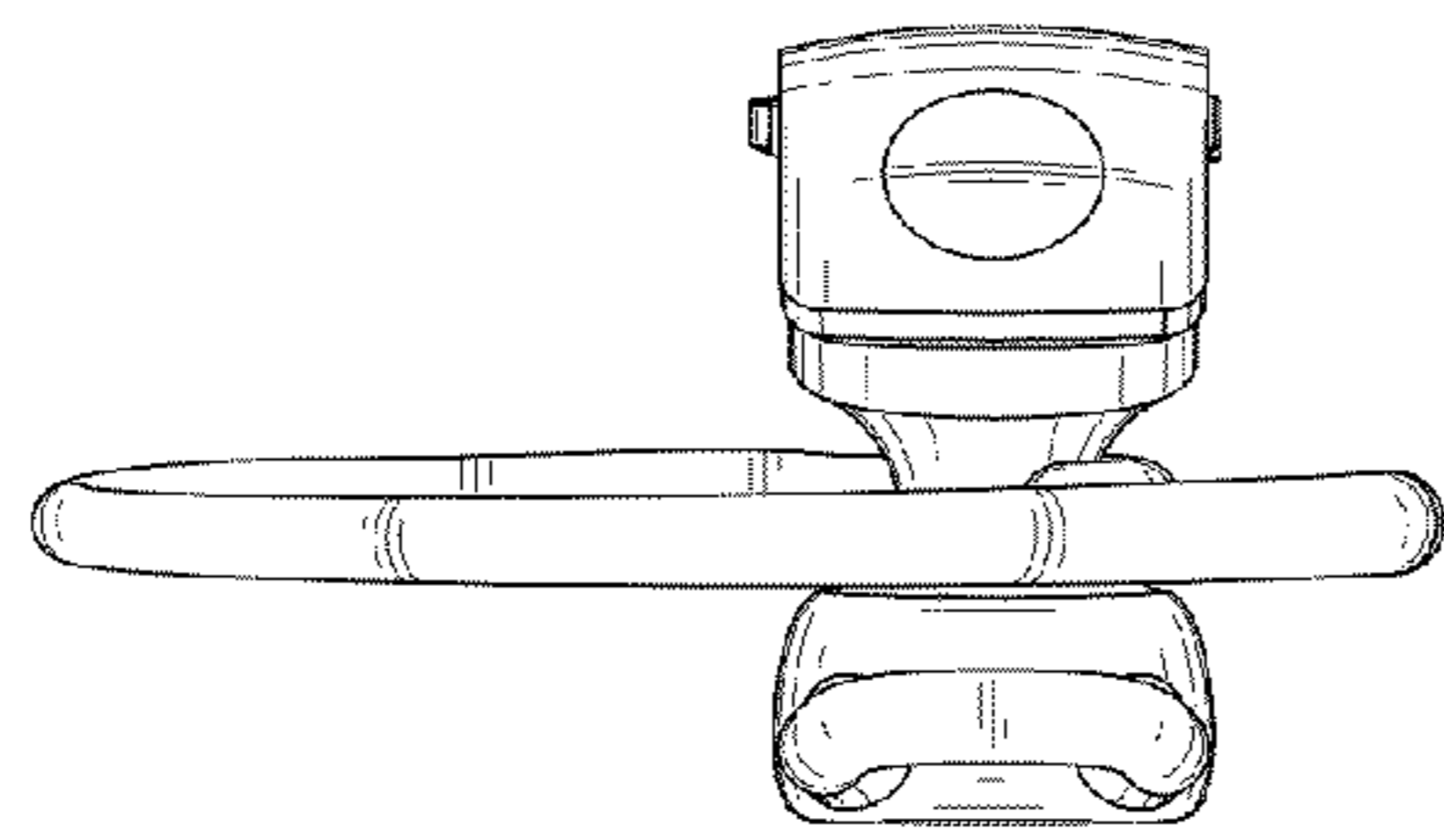


FIG. 5

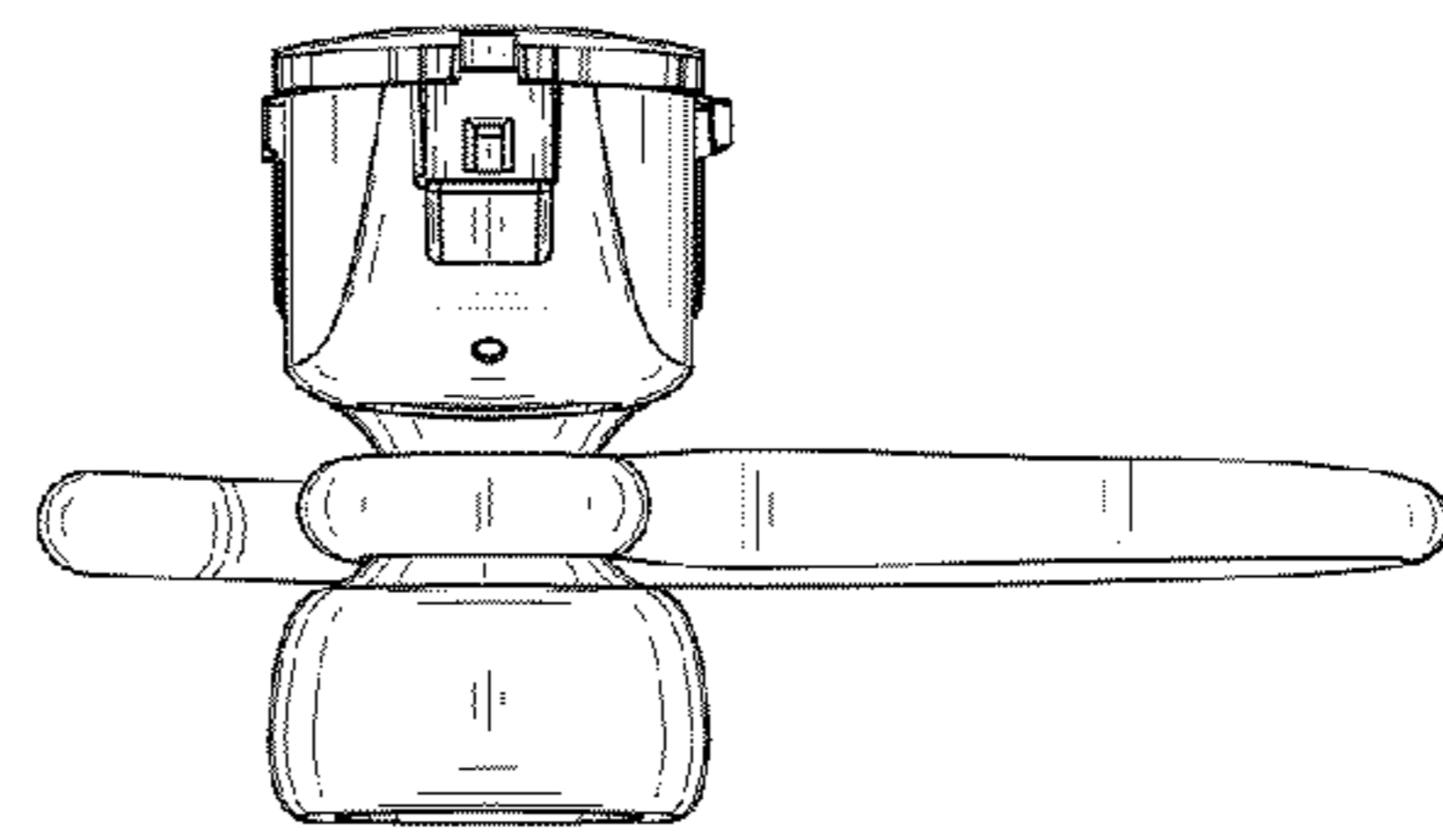


FIG. 6

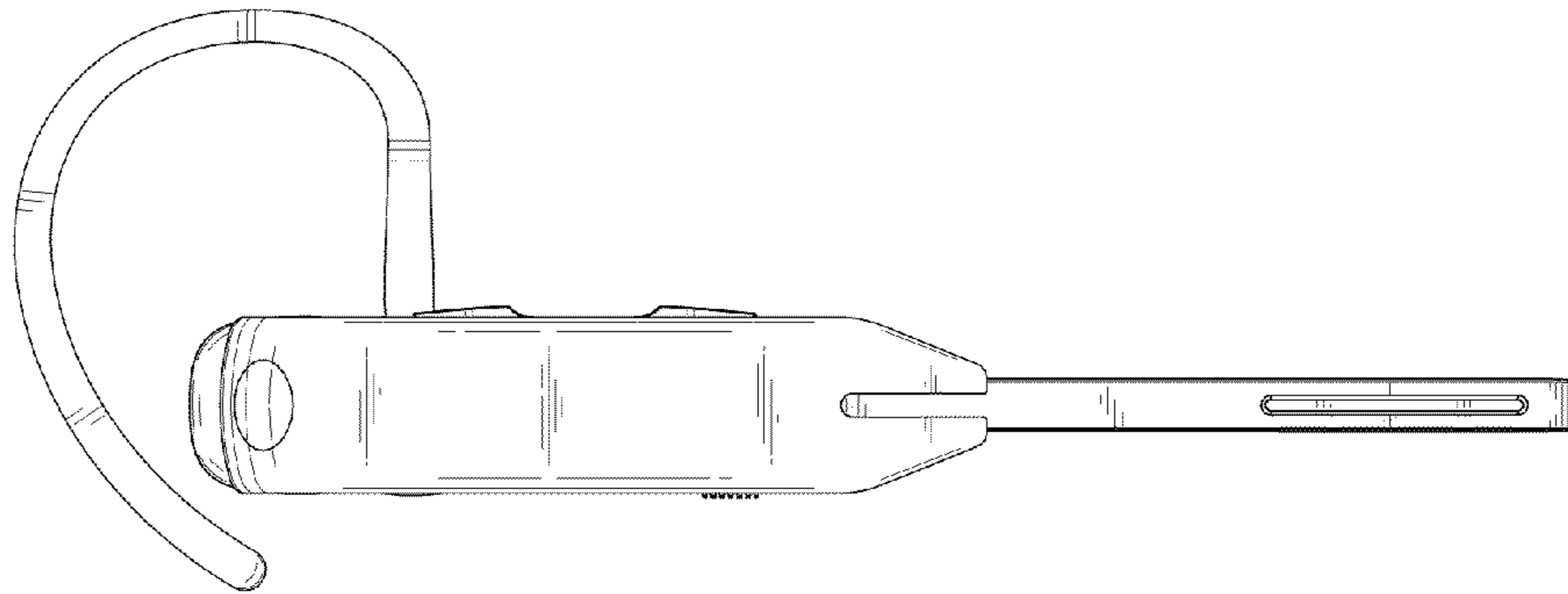


FIG. 7

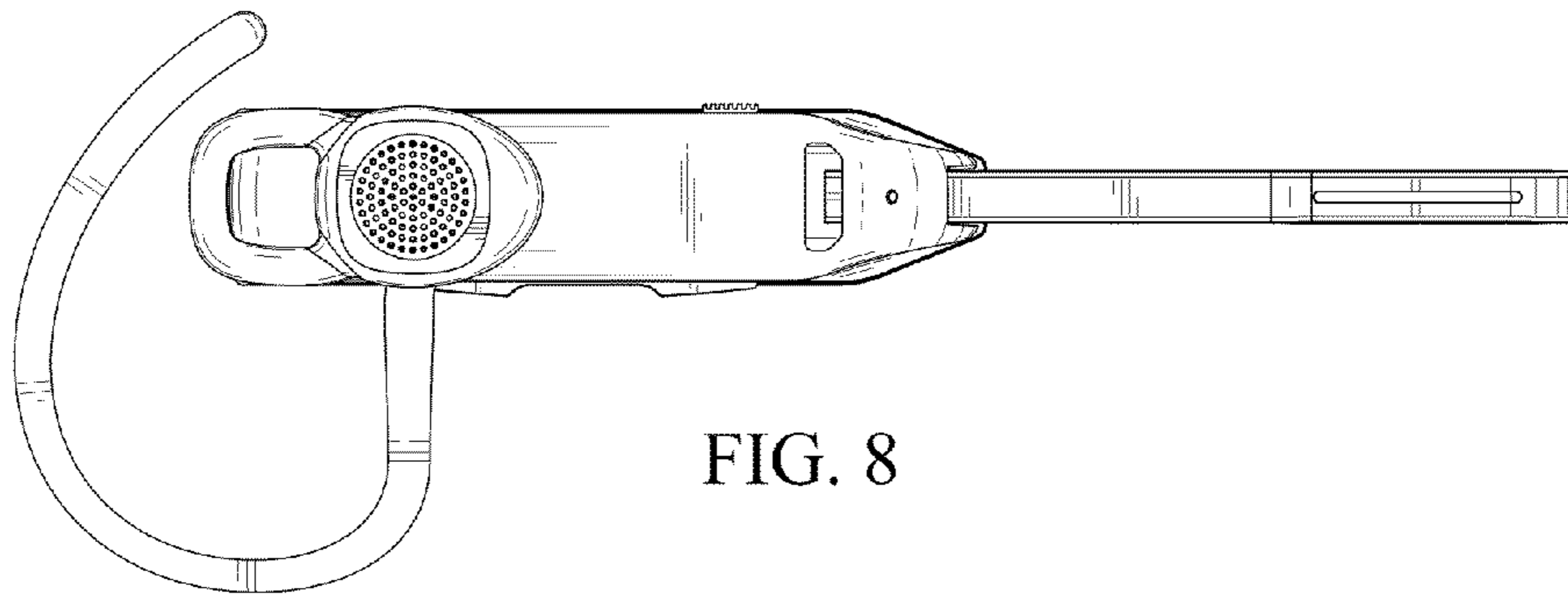


FIG. 8

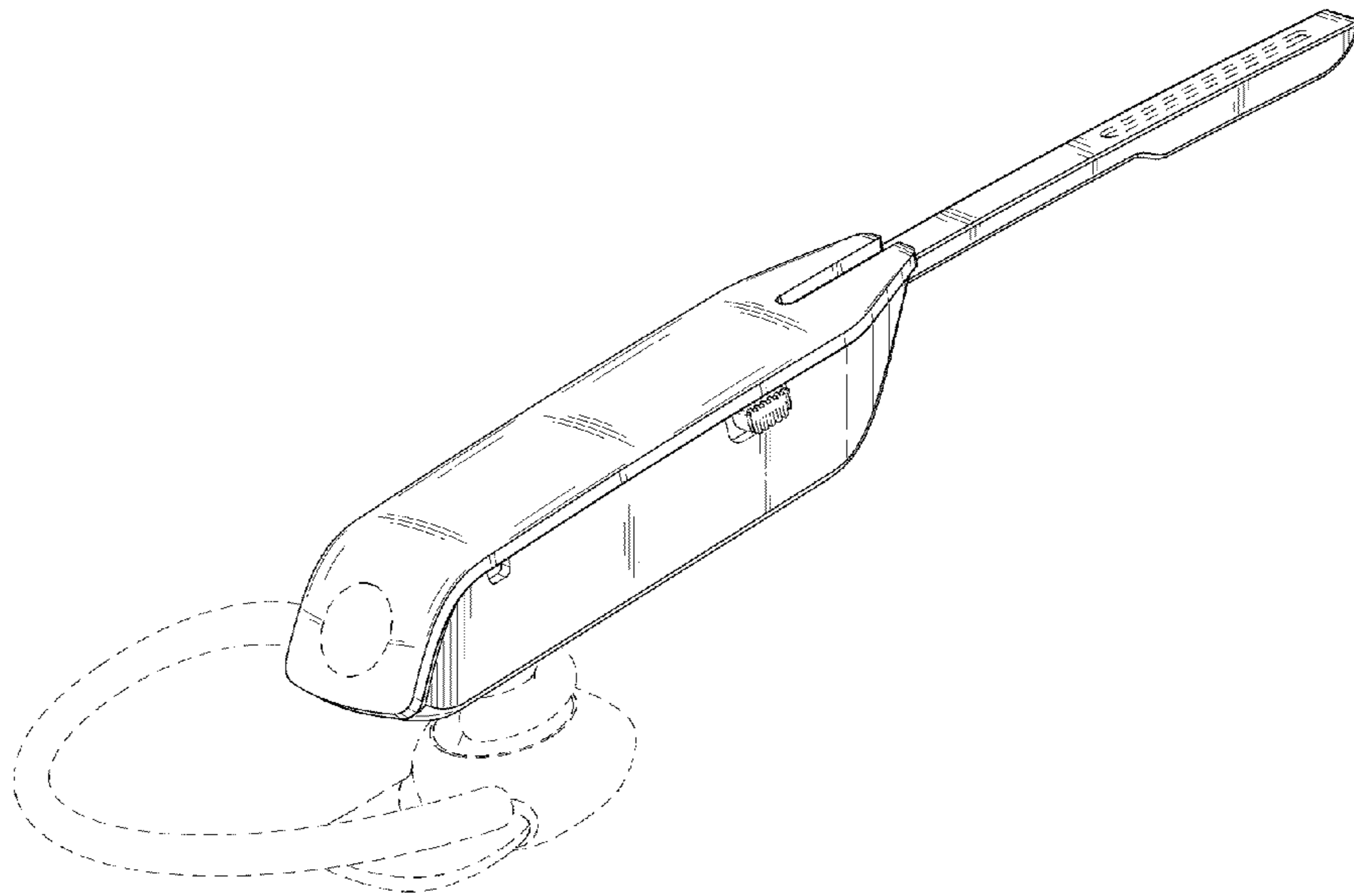


FIG. 9



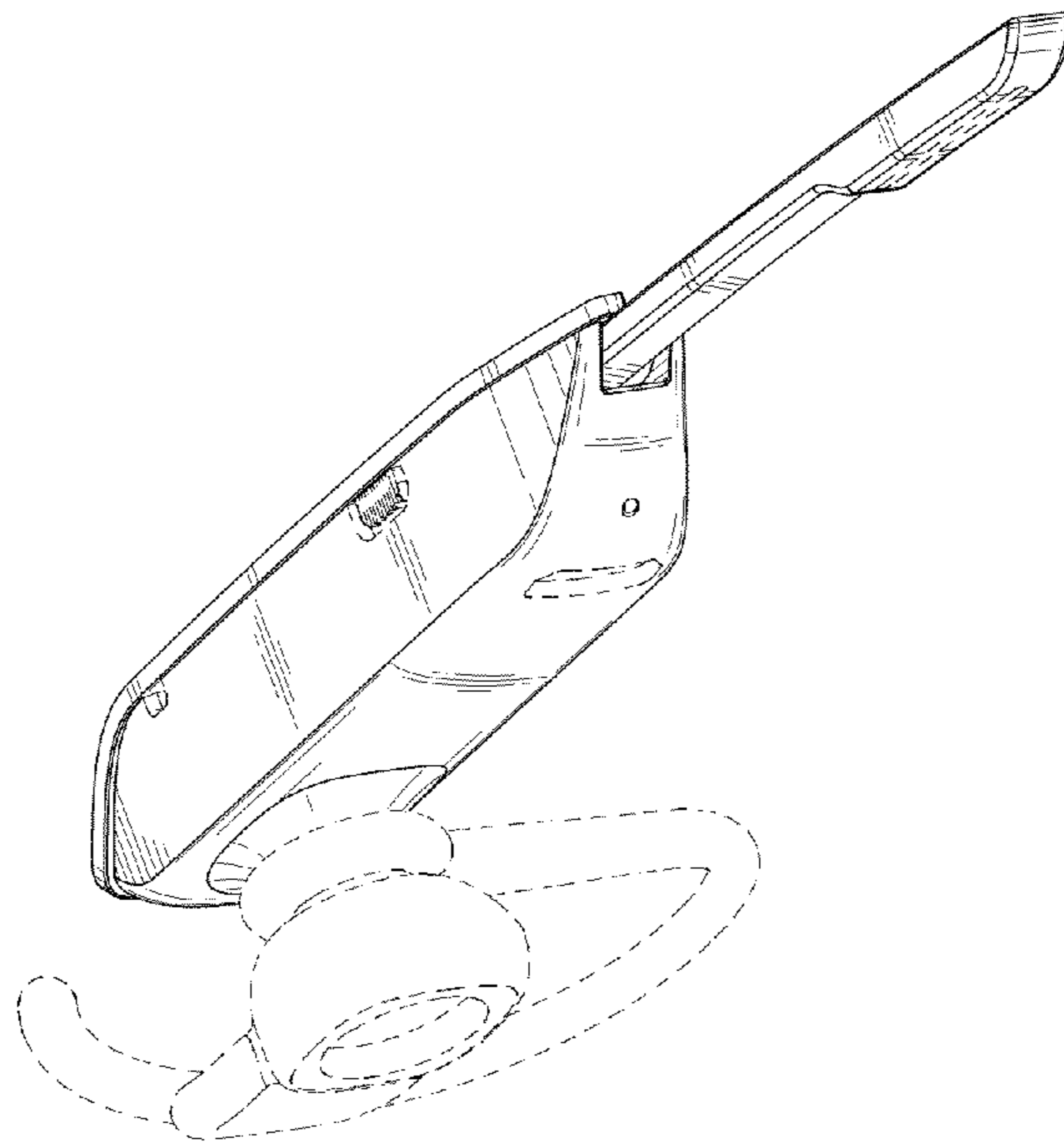


FIG. 10

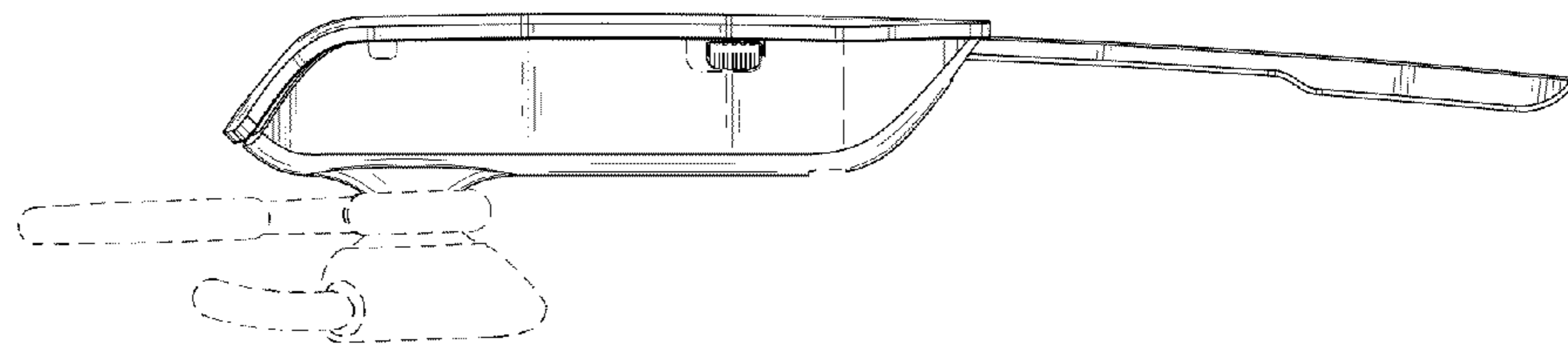


FIG. 11

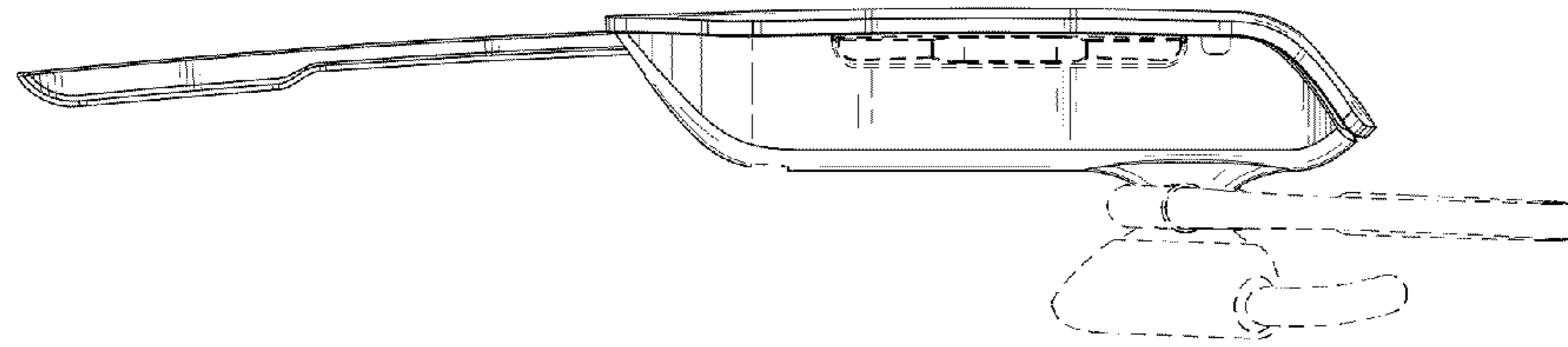


FIG. 12

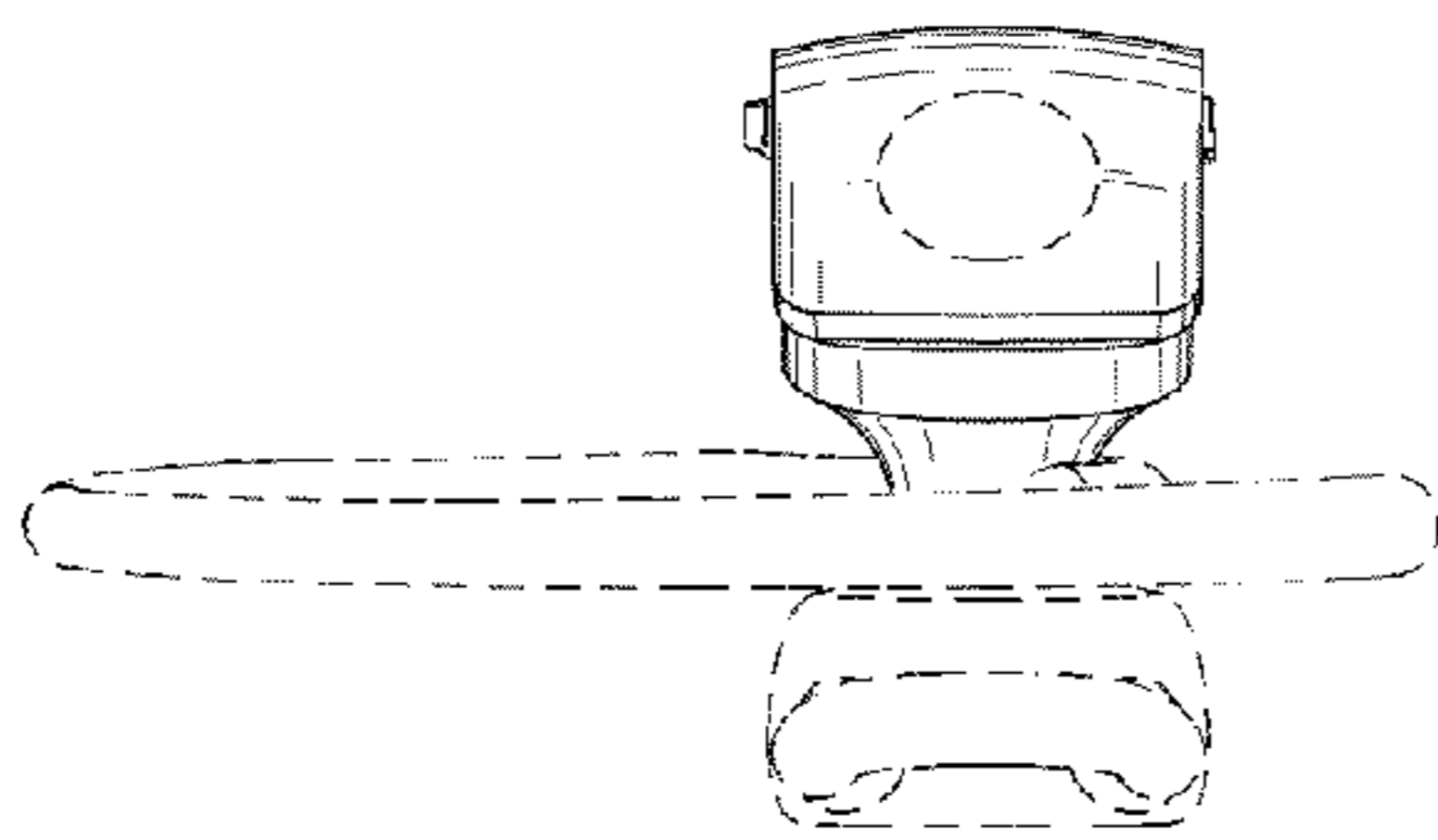


FIG. 13

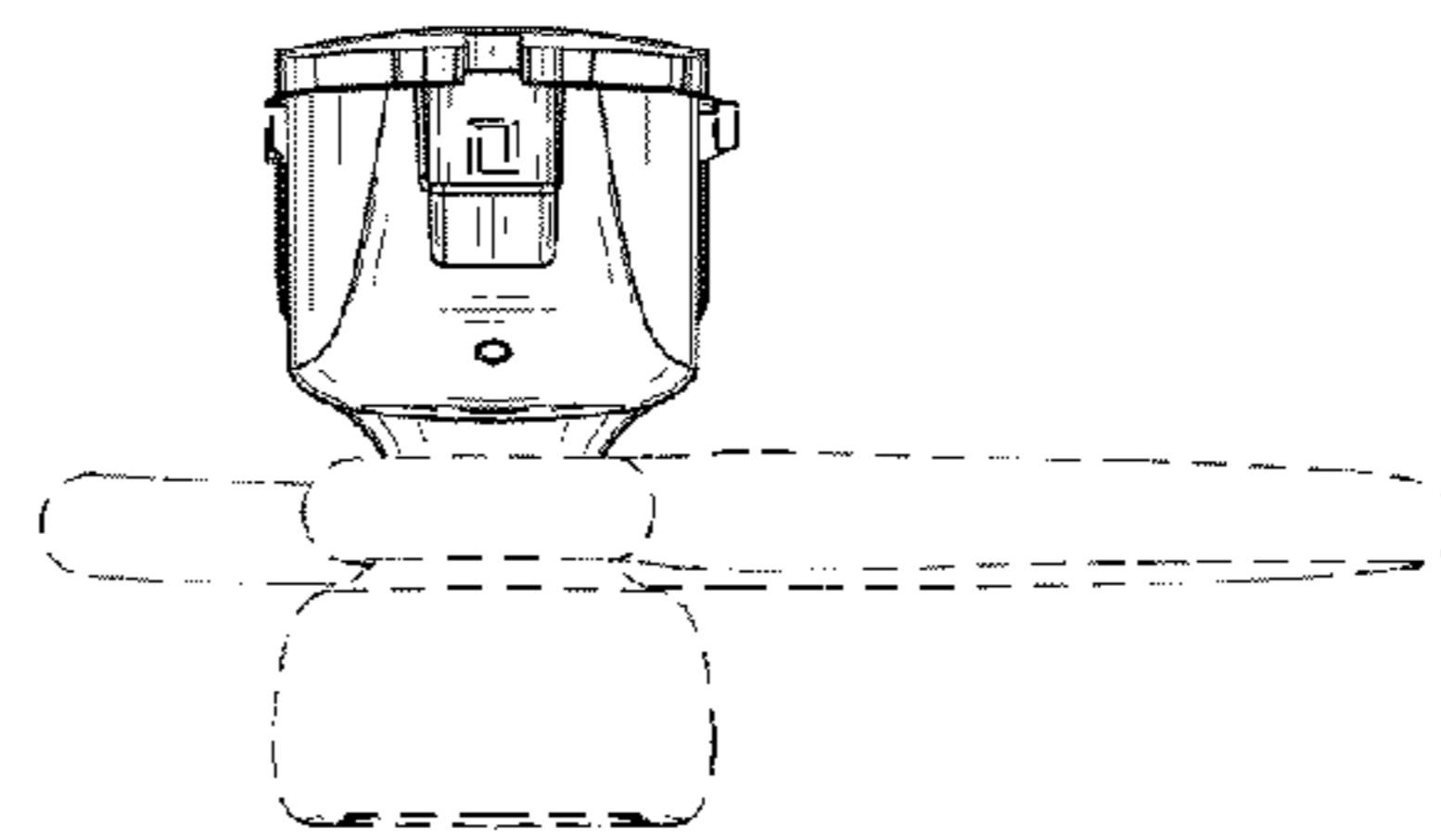


FIG. 14

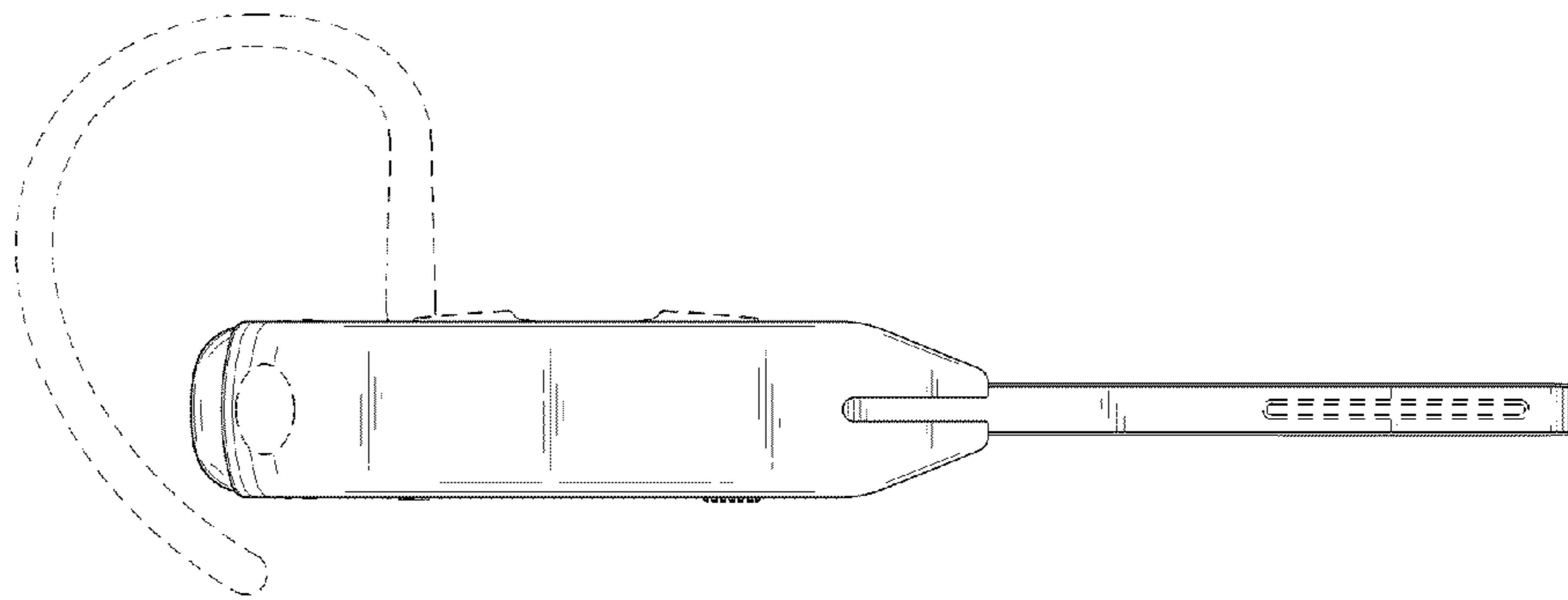


FIG. 15

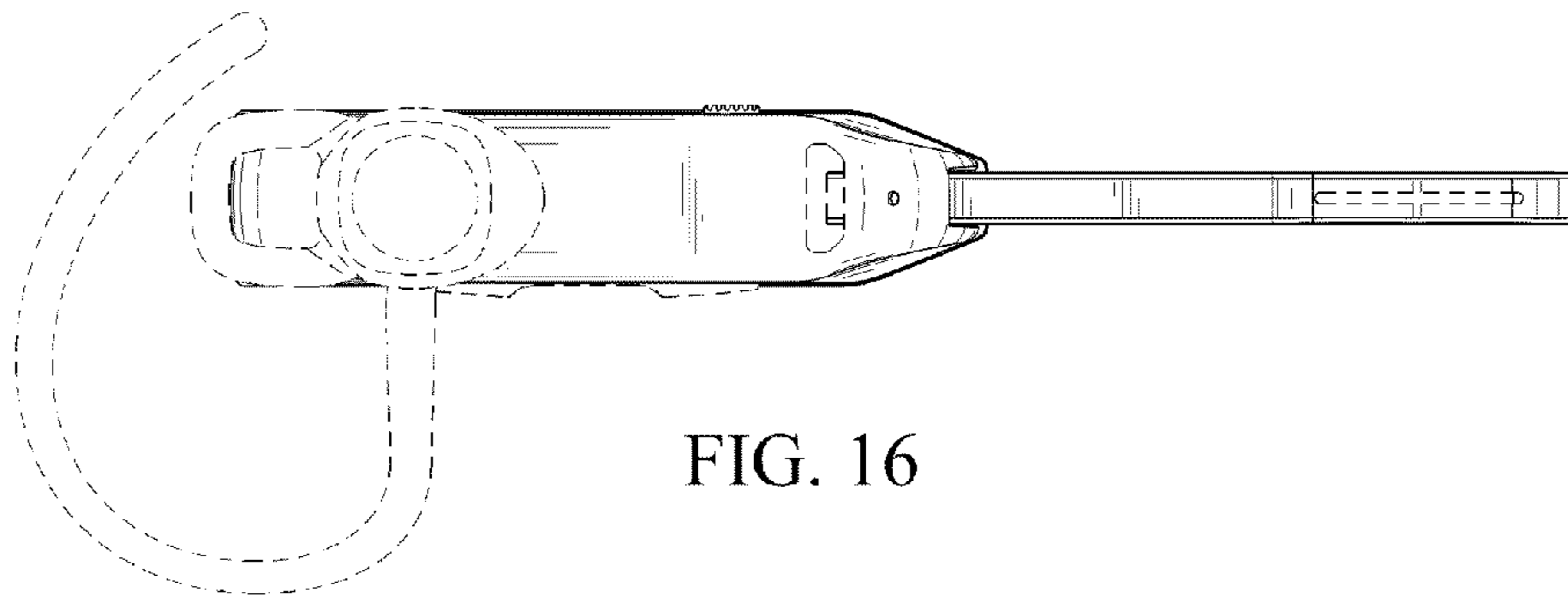


FIG. 16