



US00D715251S

(12) **United States Design Patent**
Sparks et al.

(10) **Patent No.:** **US D715,251 S**
(45) **Date of Patent:** **** Oct. 14, 2014**

(54) **HEADSET**

(71) Applicant: **Microsoft Corporation**, Redmond, WA
(US)

(72) Inventors: **Bryan A. Sparks**, Sammamish, WA
(US); **Monika Wolf**, Redmond, WA
(US); **Eric Joseph Wahl**, Kirkland, WA
(US); **Aditha May Adams**, Seattle, WA
(US)

(73) Assignee: **Microsoft Corporation**, Redmond, WA
(US)

(**) Term: **14 Years**

(21) Appl. No.: **29/464,506**

(22) Filed: **Aug. 16, 2013**

(51) **LOC (10) Cl.** **14-01**

(52) **U.S. Cl.**
USPC **D14/205**

(58) **Field of Classification Search**
CPC H04R 1/1066
USPC D14/205, 372, 188, 192, 230; 181/129,
181/130, 135; 379/430, 431; 381/380, 381,
381/374, 375, 376, 361; D24/186, 191,
D24/106; 455/90.3, 575.1

See application file for complete search history.

(56) **References Cited**

U.S. PATENT DOCUMENTS

2,954,442 A * 9/1960 Mickenberg 2/410
D300,133 S * 3/1989 Daidoh et al. D14/205

D346,172 S * 4/1994 Fields et al. D14/299
D371,560 S * 7/1996 Fenton et al. D14/230
5,987,647 A * 11/1999 Ouellette 2/171
D463,857 S * 10/2002 Dix et al. D24/106
6,584,984 B2 * 7/2003 Kelly 132/212
D539,788 S * 4/2007 Thompson et al. D14/225
D541,256 S * 4/2007 Rausch et al. D14/205
D542,774 S * 5/2007 Rausch et al. D14/206
D633,471 S * 3/2011 Sugiyama D14/205
D641,003 S * 7/2011 Alden D14/205
D654,471 S 2/2012 Fischer
D654,472 S 2/2012 Fischer
D664,114 S * 7/2012 Tsuchiya D14/205
D689,464 S * 9/2013 Bonahoom et al. D14/206
D699,216 S * 2/2014 Bonahoom et al. D14/205

* cited by examiner

Primary Examiner — Paula Greene

(74) *Attorney, Agent, or Firm* — Banner & Witcoff, Ltd.

(57) **CLAIM**

The ornamental design for a headset, as shown and described.

DESCRIPTION

FIG. 1 is a front perspective view of a headset showing our new design;

FIG. 2 is a front view thereof;

FIG. 3 is a rear view thereof;

FIG. 4 is a right side view thereof;

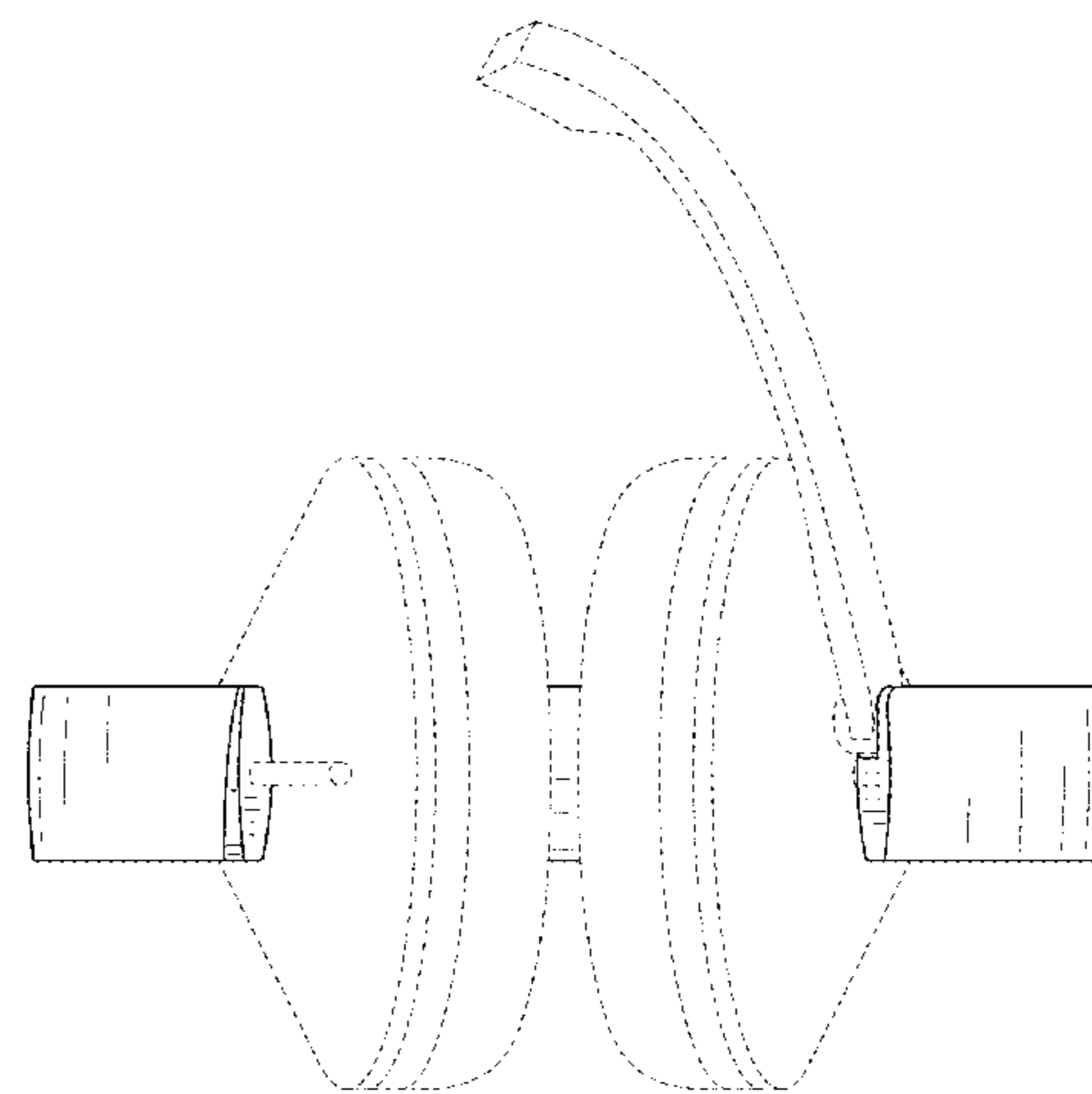
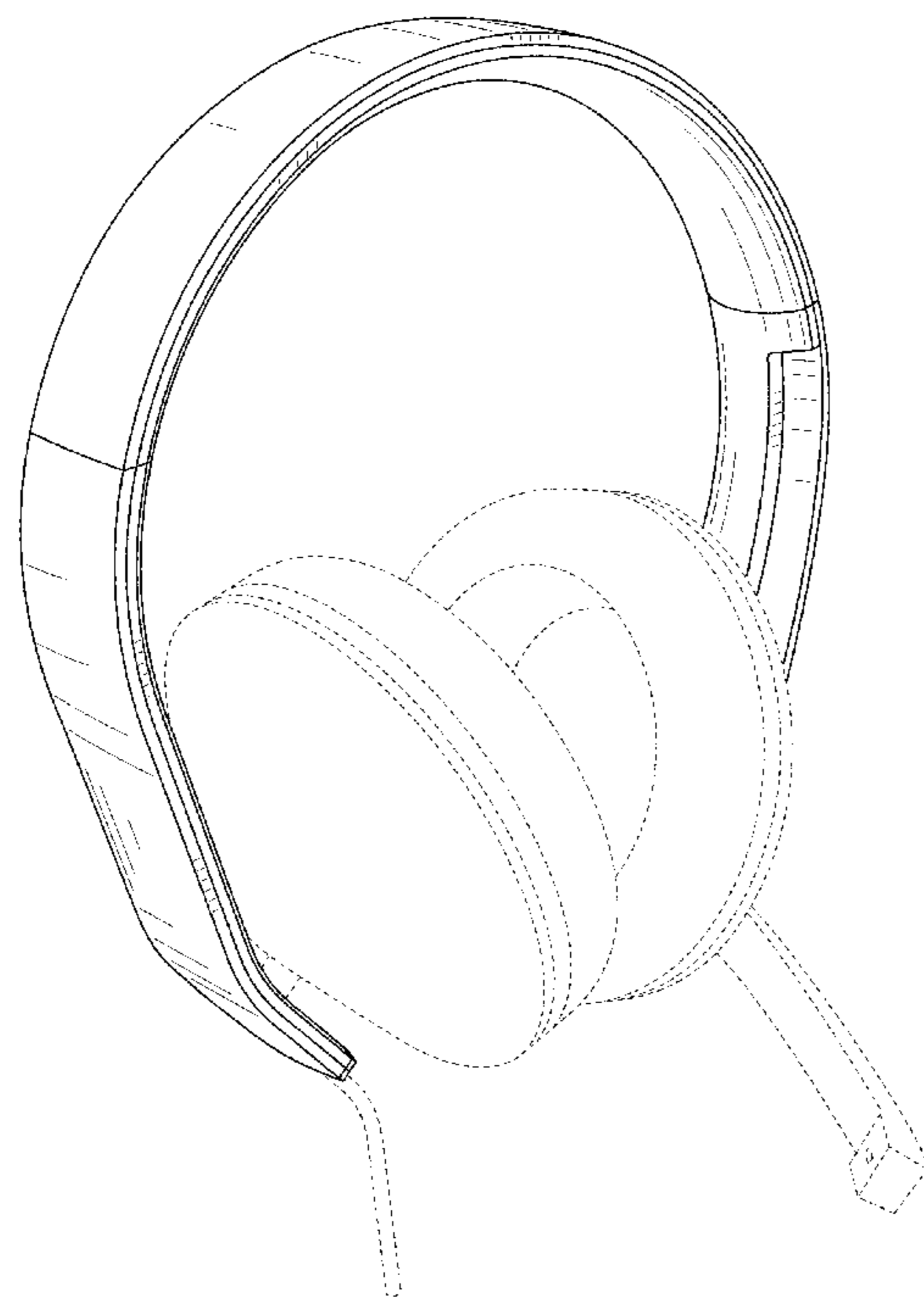
FIG. 5 is a left side view thereof;

FIG. 6 is a top view thereof; and,

FIG. 7 is a bottom view thereof.

The broken line showing various unshaded elements of the headset is for environmental purposes only and forms no part of the claimed design.

1 Claim, 7 Drawing Sheets



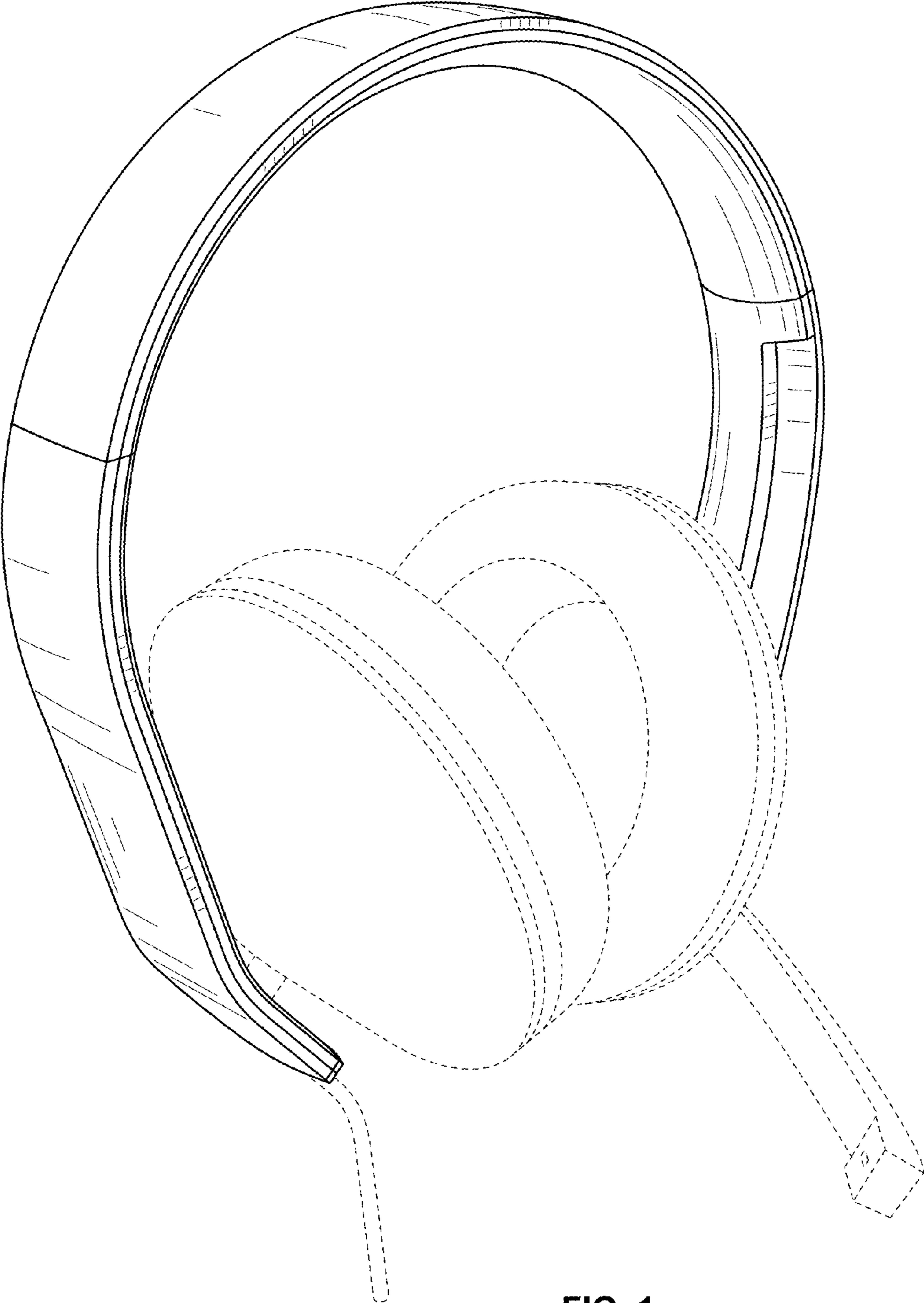


FIG. 1

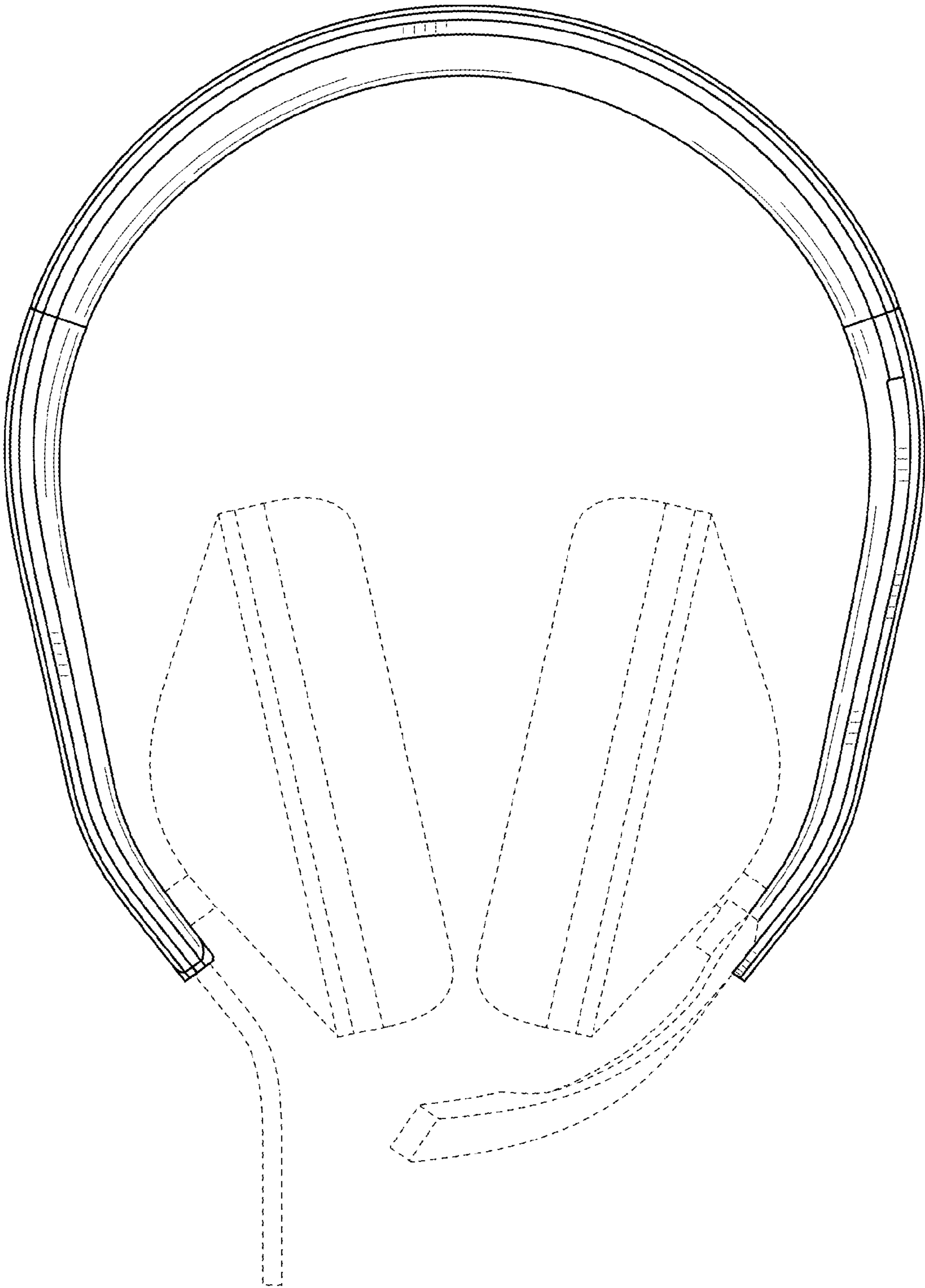


FIG. 2

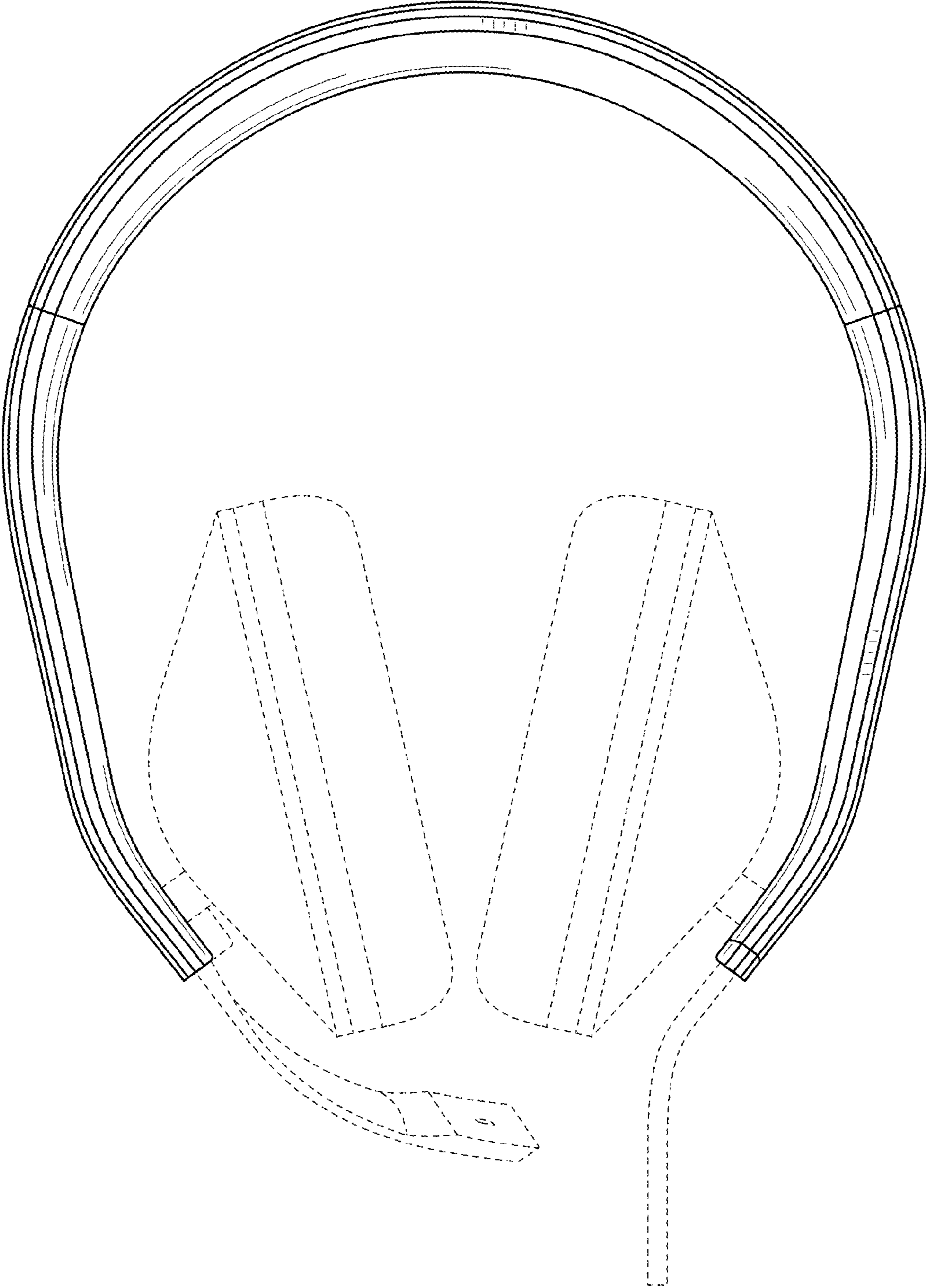


FIG. 3

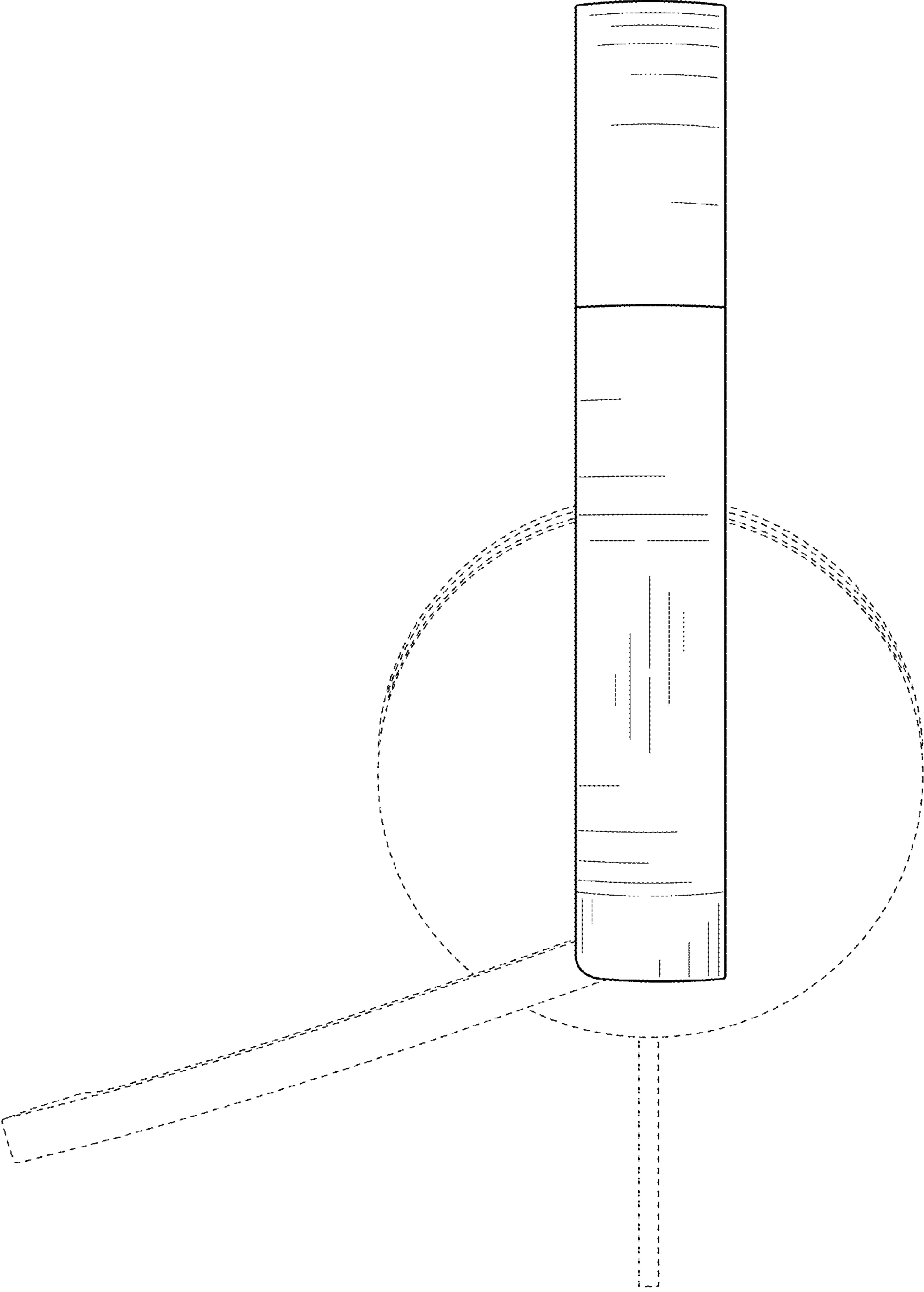


FIG. 4

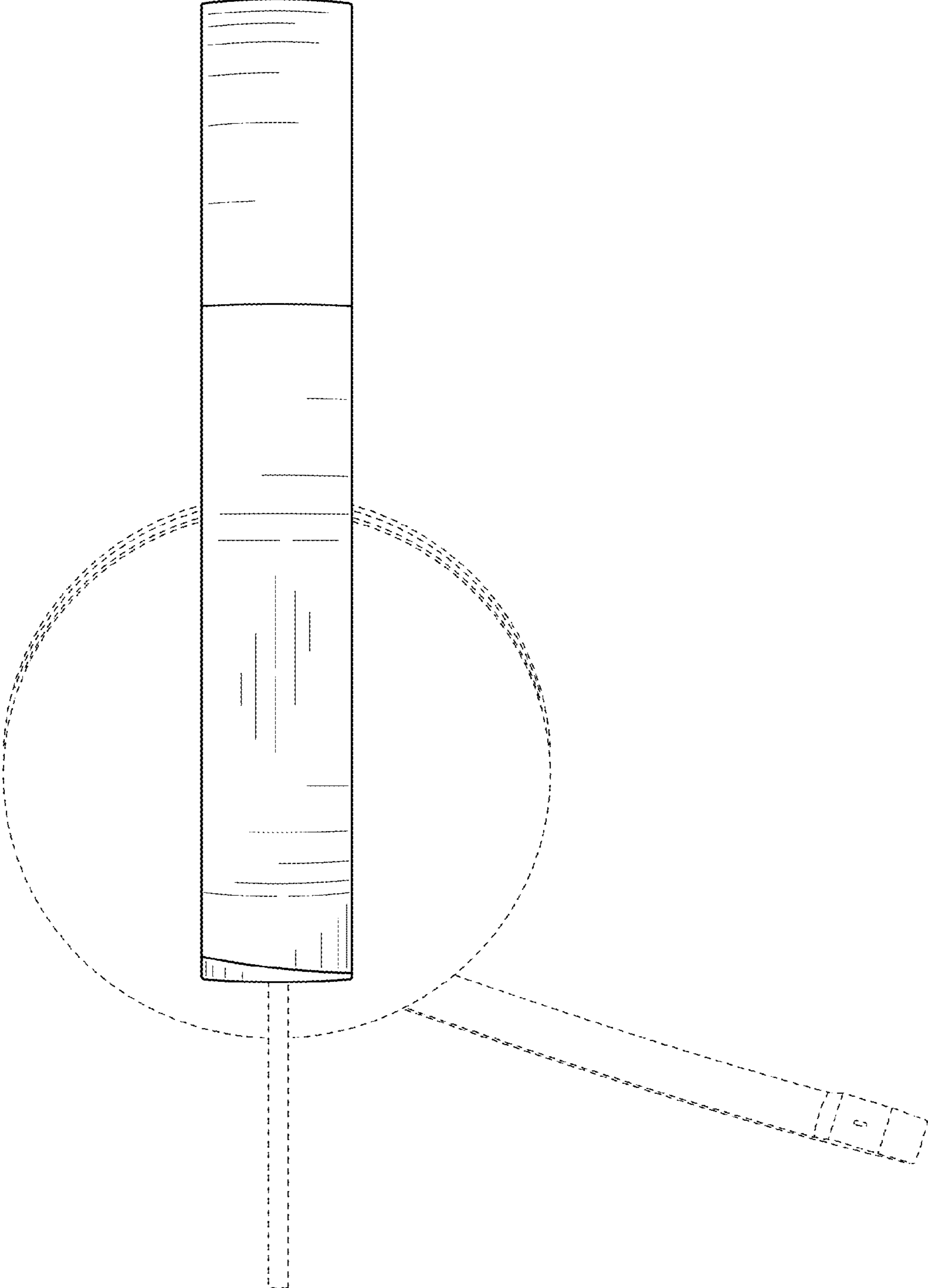


FIG. 5

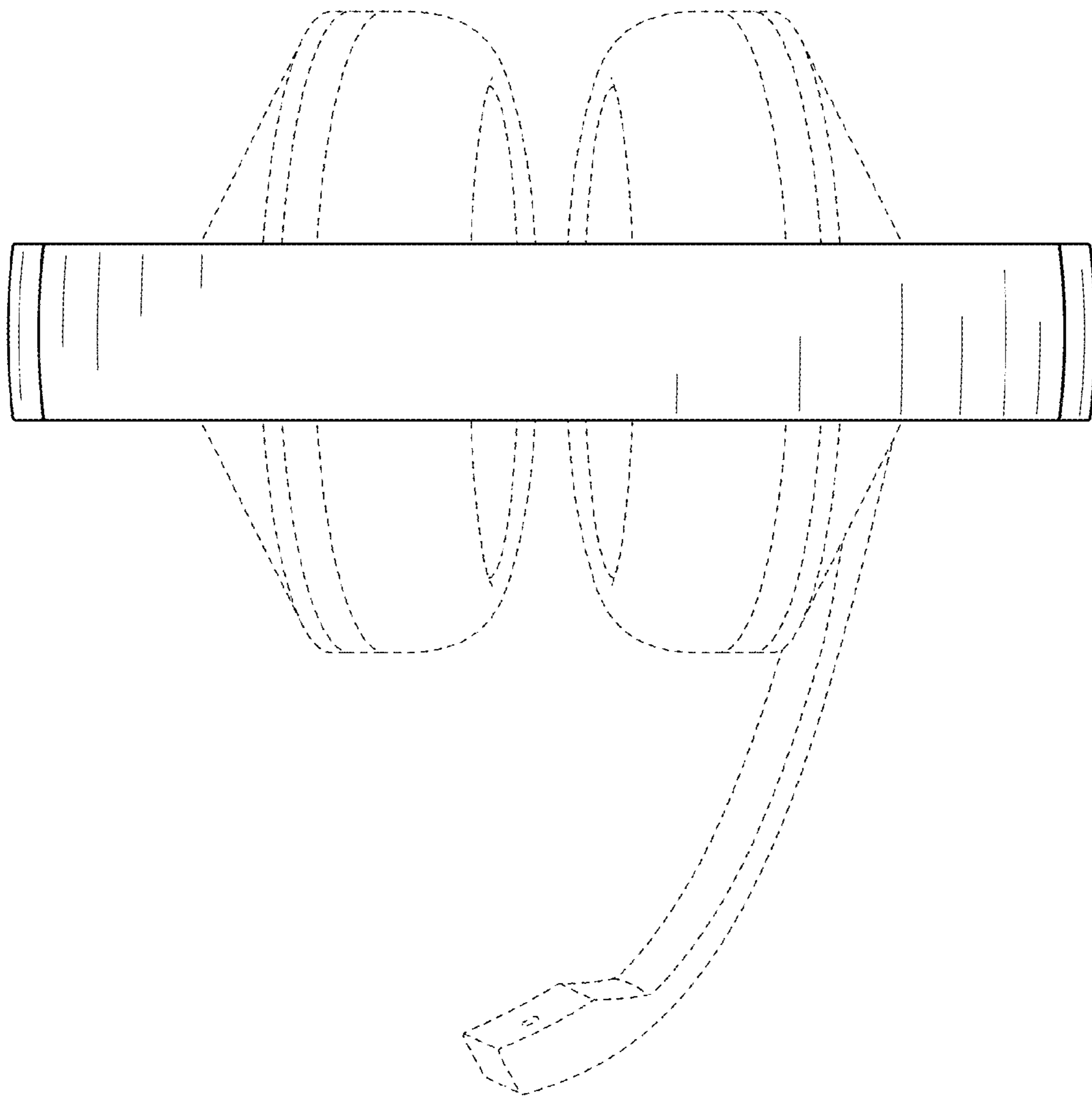


FIG. 6

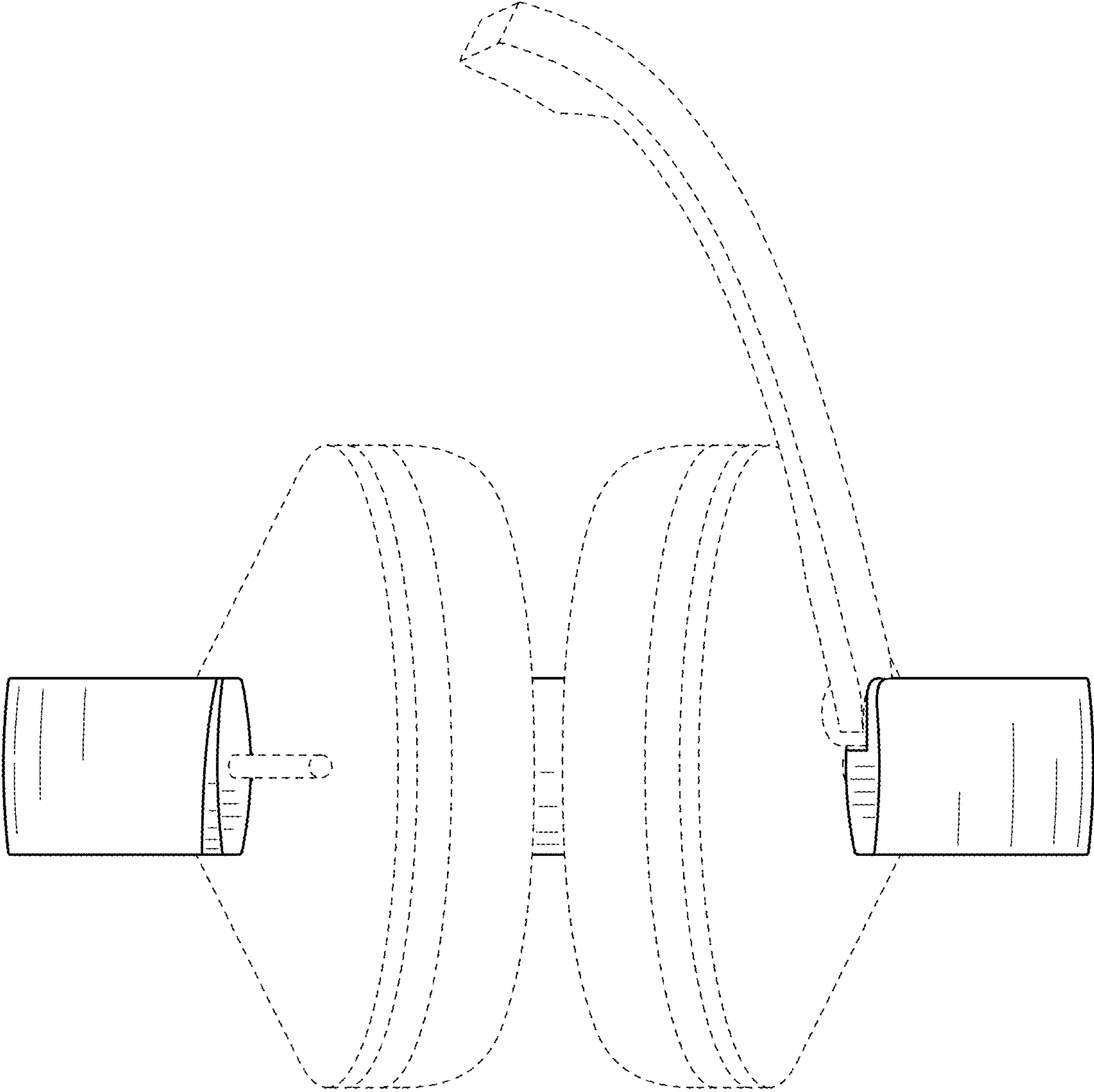


FIG. 7