



US00D715250S

(12) **United States Design Patent**  
**Kang et al.**

(10) **Patent No.:** **US D715,250 S**

(45) **Date of Patent:** **\*\* Oct. 14, 2014**

(54) **SPEAKER**

(71) Applicant: **Samsung Electronics Co., Ltd.**,  
Suwon-si (KR)

(72) Inventors: **Dan-Bi Kang**, Seoul (KR);  
**Kyong-Hoon Kim**, Seongnam-si (KR)

(73) Assignee: **Samsung Electronics Co., Ltd.** (KR)

(\*\*) Term: **14 Years**

(21) Appl. No.: **29/477,624**

(22) Filed: **Dec. 24, 2013**

(30) **Foreign Application Priority Data**

Jun. 25, 2013 (KR) ..... 30-2013-0032606

(51) **LOC (10) Cl.** ..... **14-03**

(52) **U.S. Cl.**  
USPC ..... **D14/204**

(58) **Field of Classification Search**  
USPC ..... D14/167, 168, 170-172, 188, 194-196,  
D14/204, 207, 209.1, 210-216, 219, 221,  
D14/222, 224; 181/143, 144, 147, 148, 150,  
181/153, 157, 198, 199; 381/300-303, 306,  
381/332, 333, 336, 345, 361-364,  
381/386-388; 369/6-12

See application file for complete search history.

(56) **References Cited**

**U.S. PATENT DOCUMENTS**

5,105,906 A \* 4/1992 Wegner ..... 181/156  
D394,263 S \* 5/1998 Fischer ..... D14/214

D431,551 S \* 10/2000 Wegner ..... D14/210  
D438,858 S \* 3/2001 del Castillo ..... D14/188  
D445,818 S \* 7/2001 Tucakov ..... D16/222  
D622,256 S \* 8/2010 Lockenwitz ..... D14/155  
D654,862 S \* 2/2012 Holthusen ..... D13/107  
D659,119 S \* 5/2012 Brunner et al. .... D14/209.1  
D700,888 S \* 3/2014 Serfoss ..... D13/108  
8,699,743 B2 \* 4/2014 Moomey ..... 381/386

\* cited by examiner

*Primary Examiner* — Keli L Hill

(74) *Attorney, Agent, or Firm* — Cantor Colburn LLP

(57) **CLAIM**

We claim, the ornamental design for a speaker, as shown and described.

**DESCRIPTION**

FIG. 1 is a front perspective view of a speaker showing our new design;

FIG. 2 is a front elevation view of thereof;

FIG. 3 is a rear elevation view of thereof;

FIG. 4 is a side elevation view of thereof;

FIG. 5 is another side elevation view of thereof;

FIG. 6 is a top plan view of thereof;

FIG. 7 is a bottom plan view of thereof; and,

FIG. 8 is a rear perspective view thereof.

The broken lines illustrating portions of the speaker are for environmental purpose only and form no part of the claimed design.

The shade lines in the figures show contour and not surface ornamentation. The dot dash lines in the figures represent an unclaimed boundary line and form no part of the claimed design.

**1 Claim, 8 Drawing Sheets**

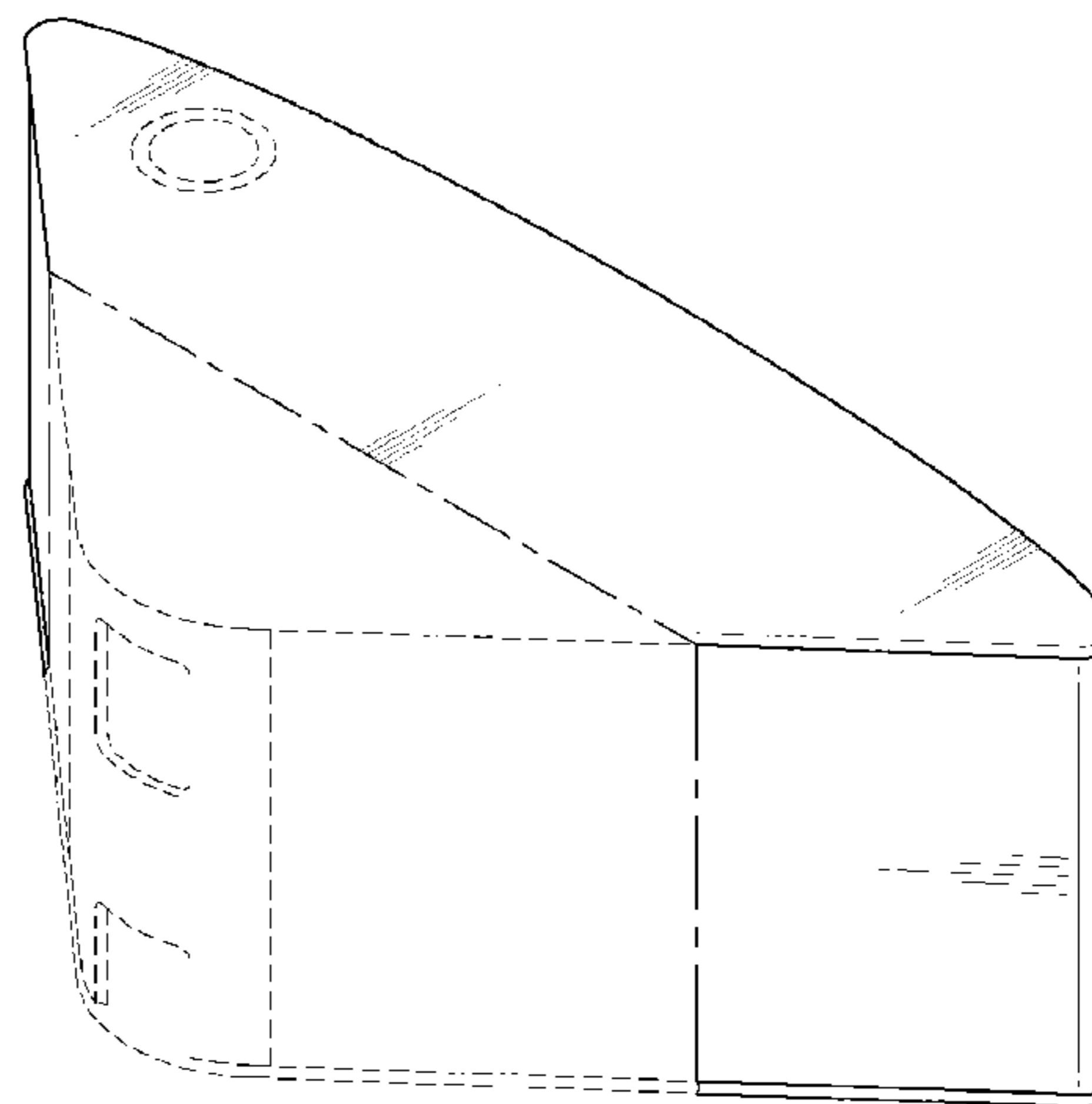
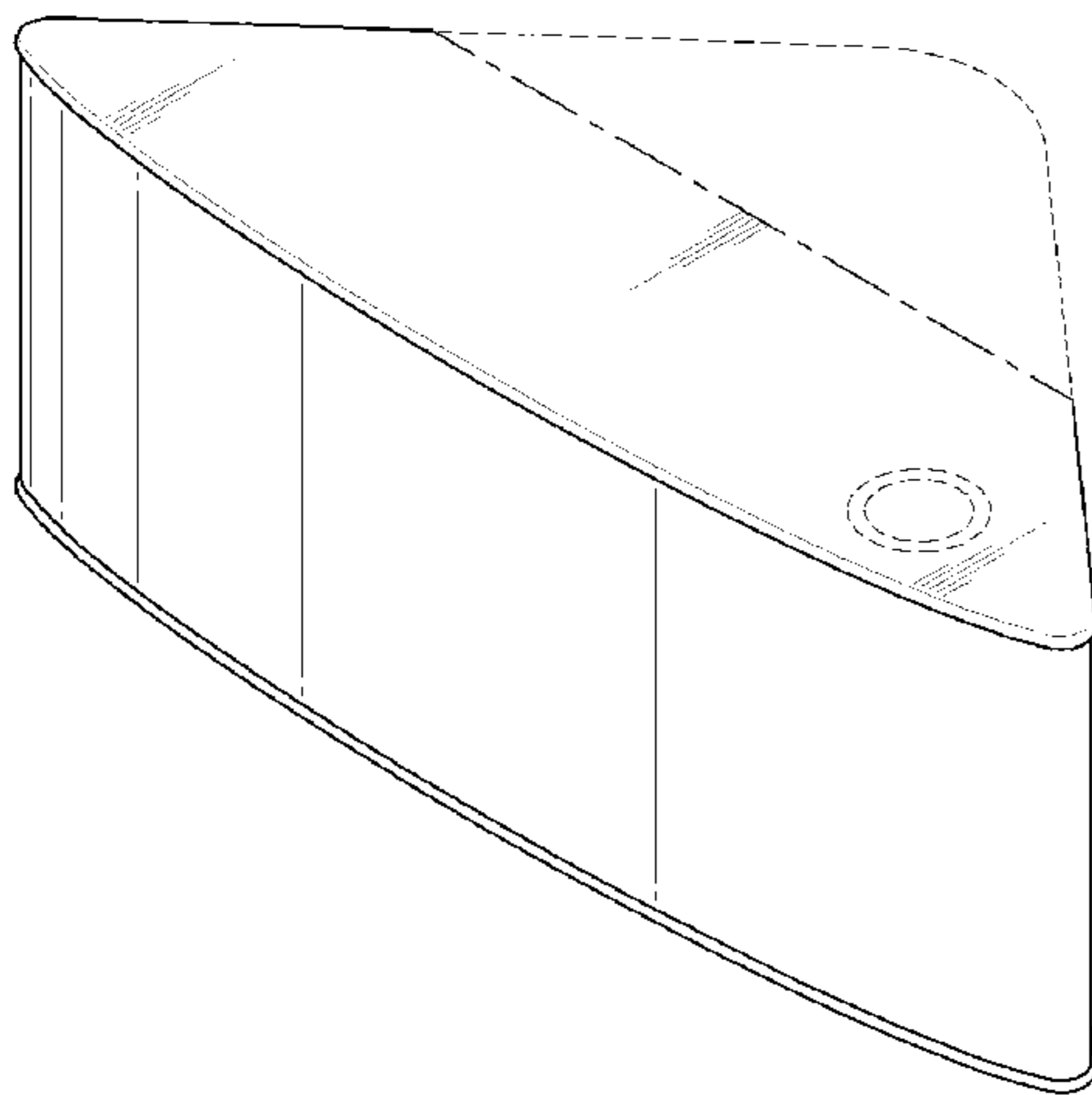


FIG. 1

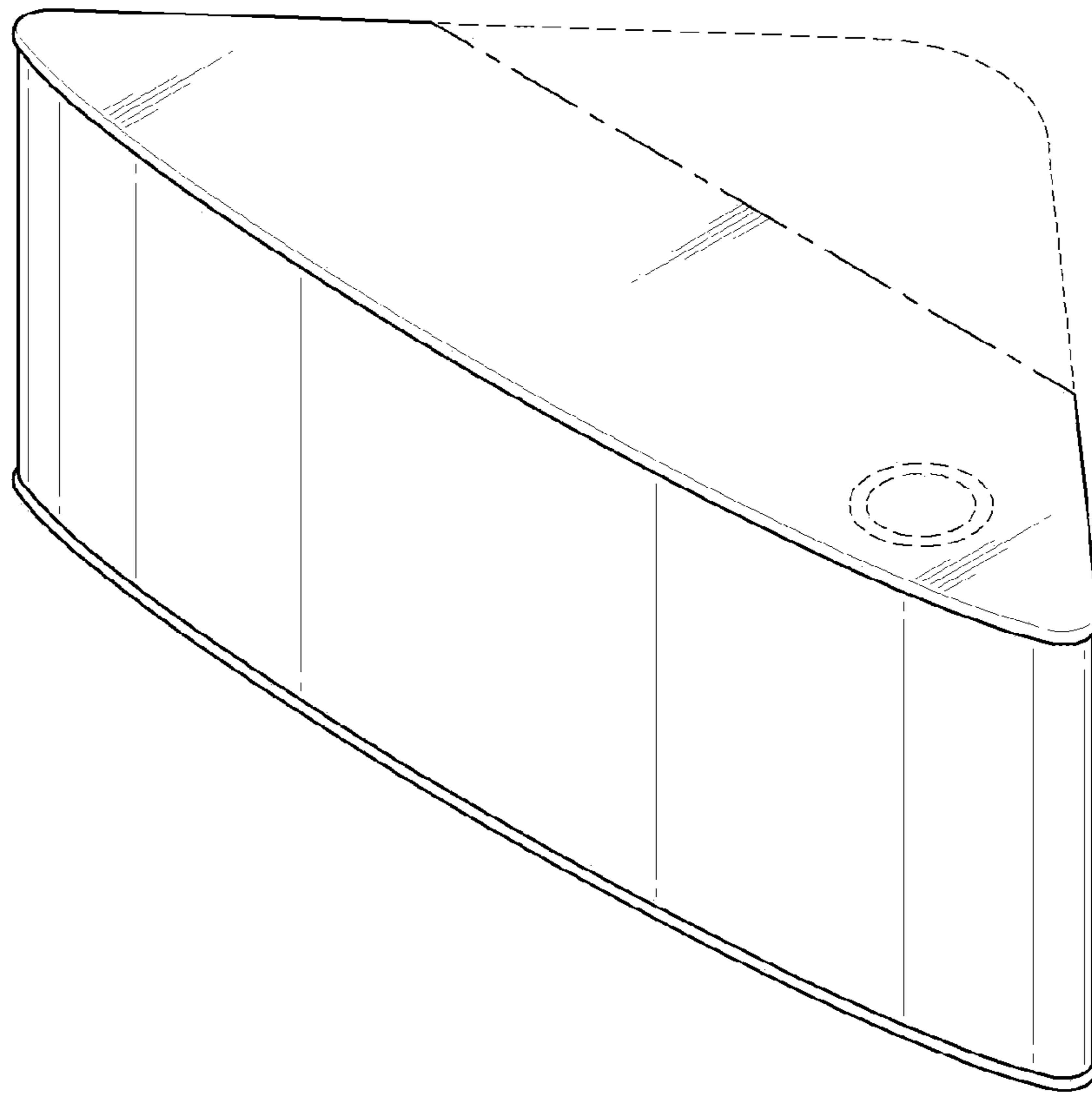


FIG.2

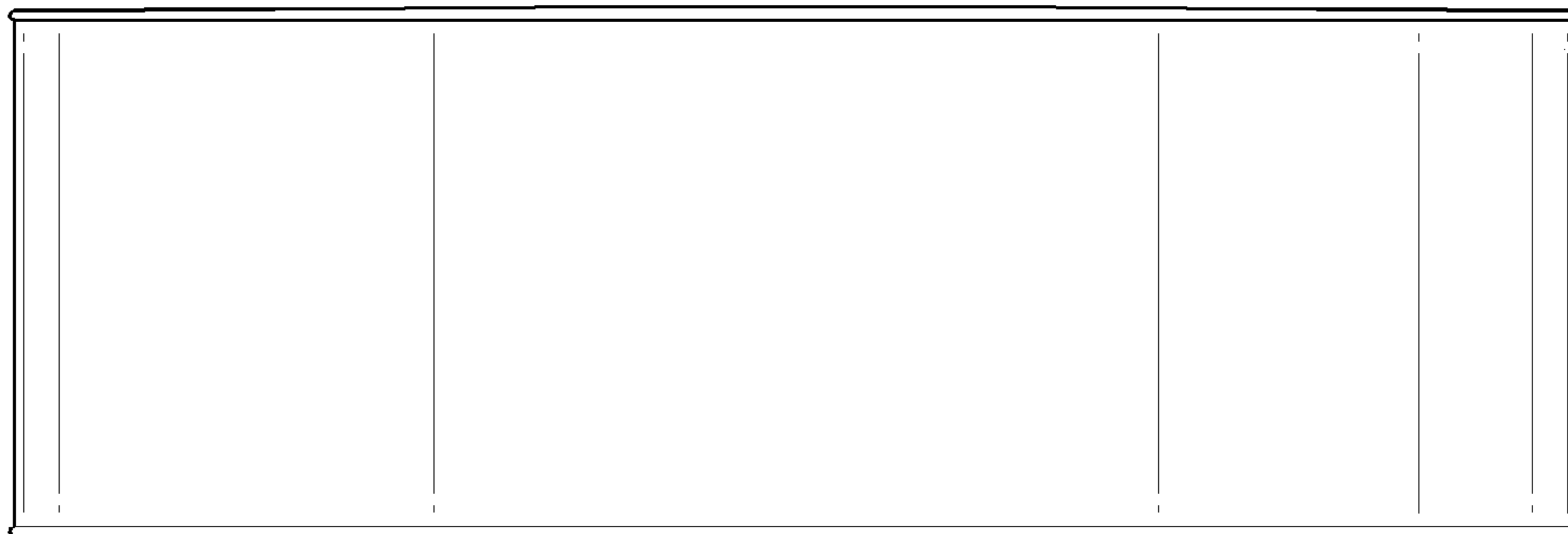


FIG.3

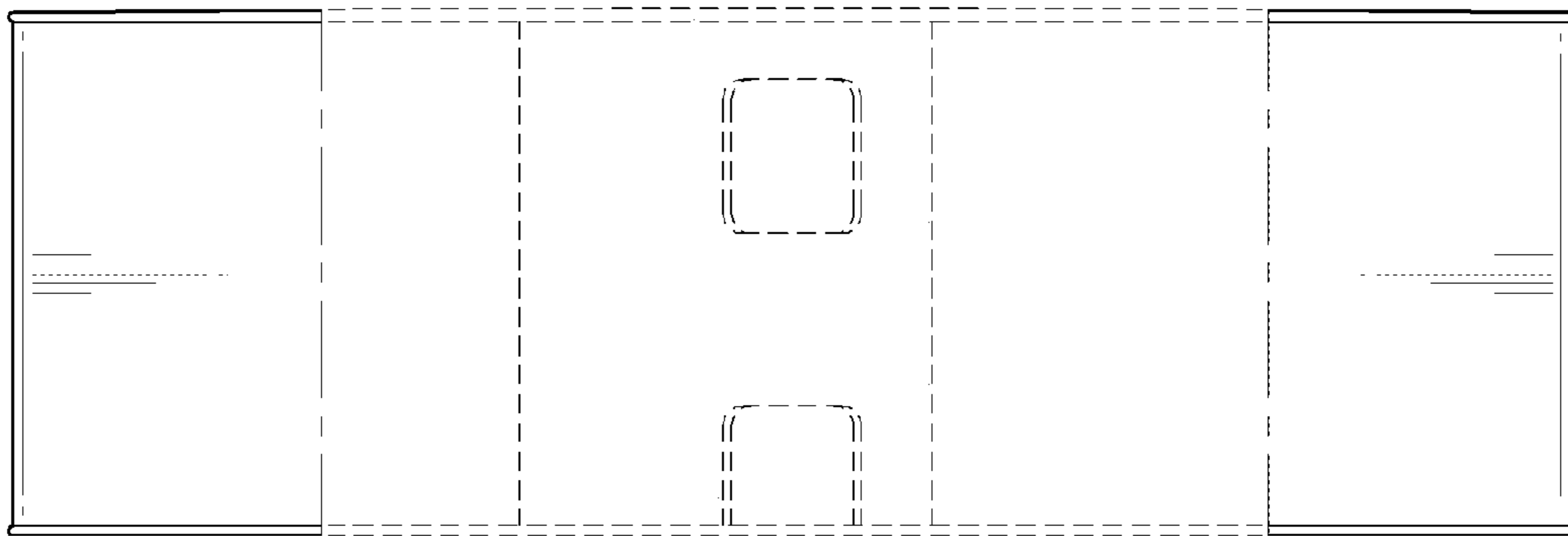


FIG.4

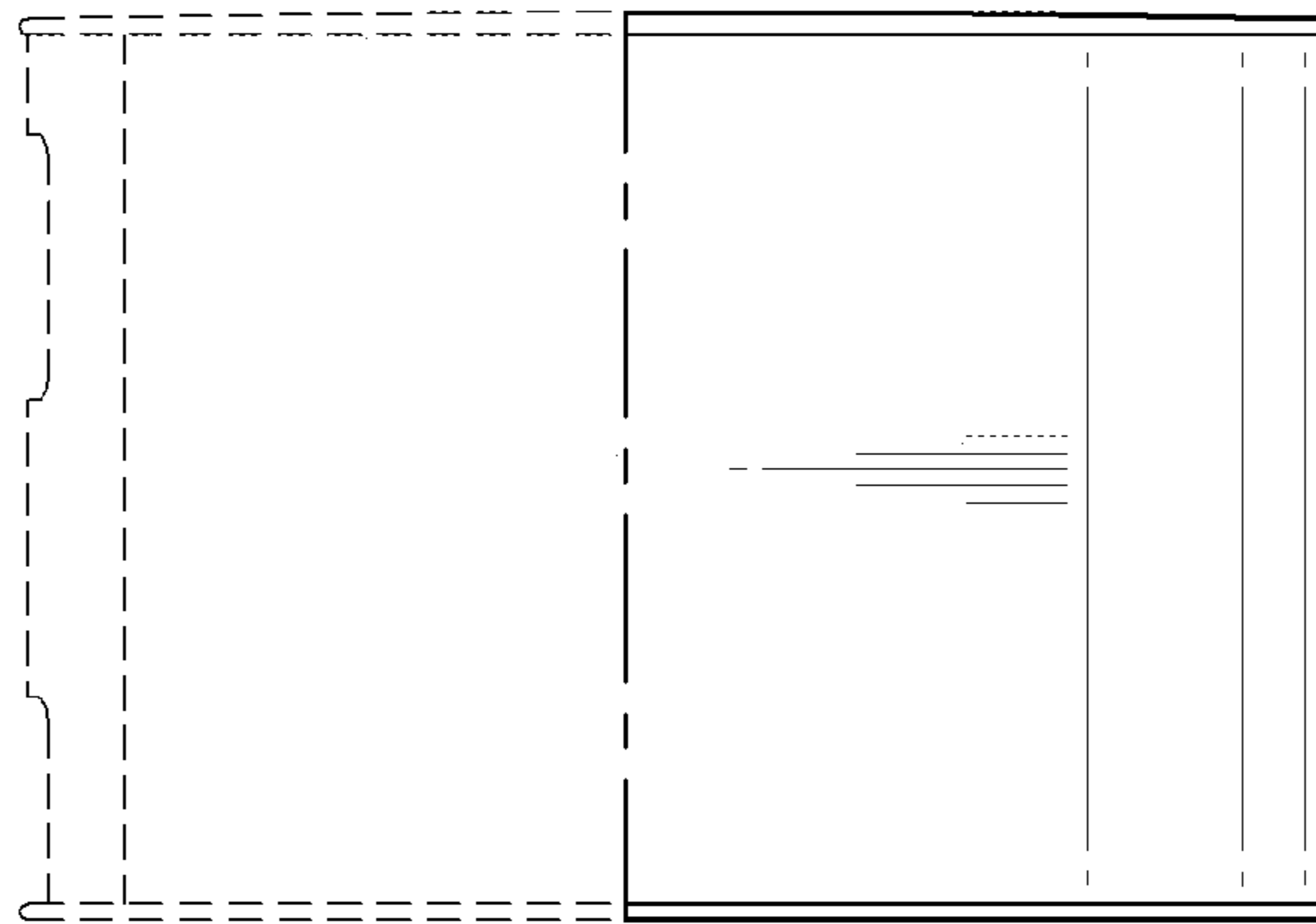


FIG.5

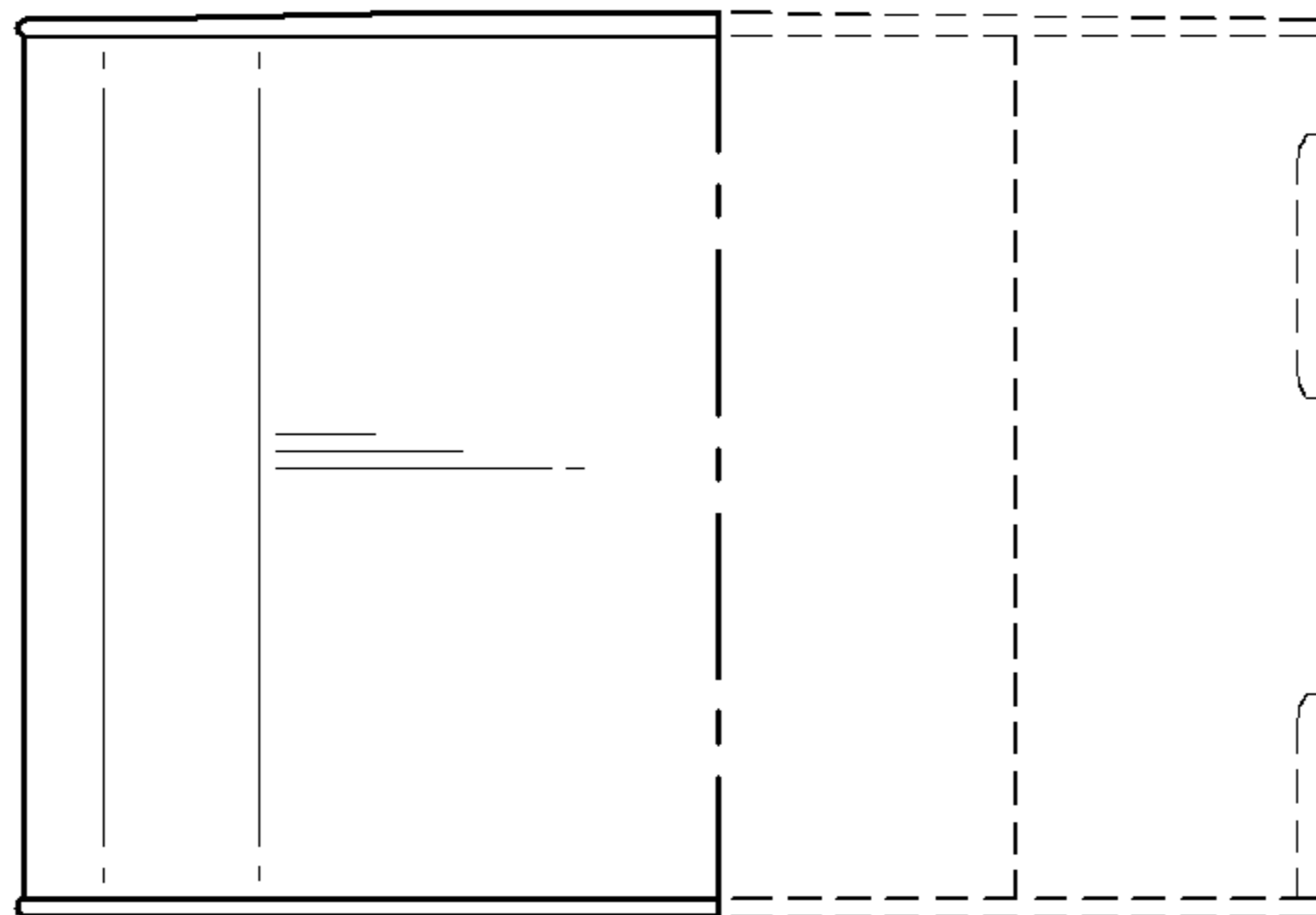


FIG.6

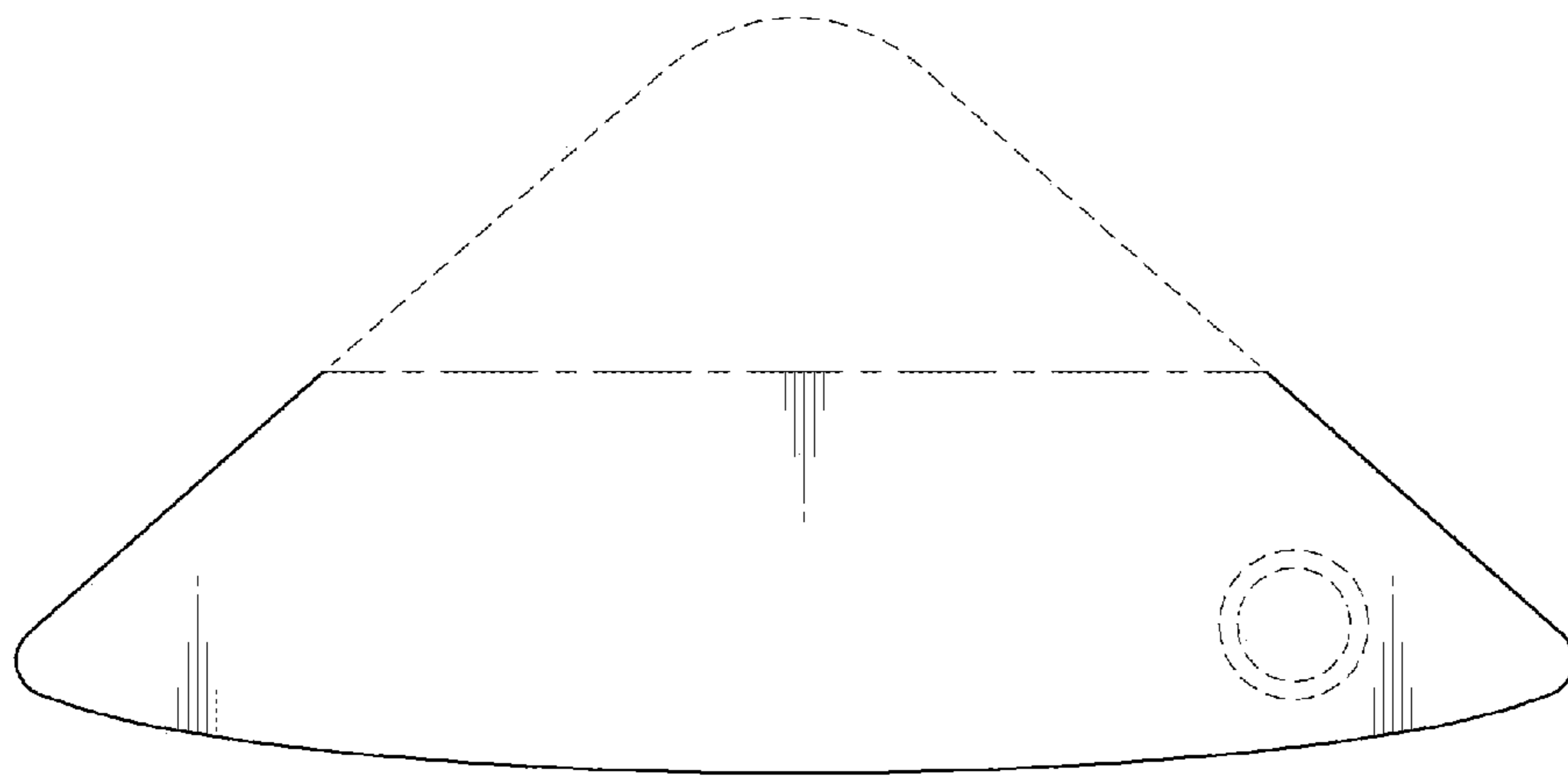


FIG.7

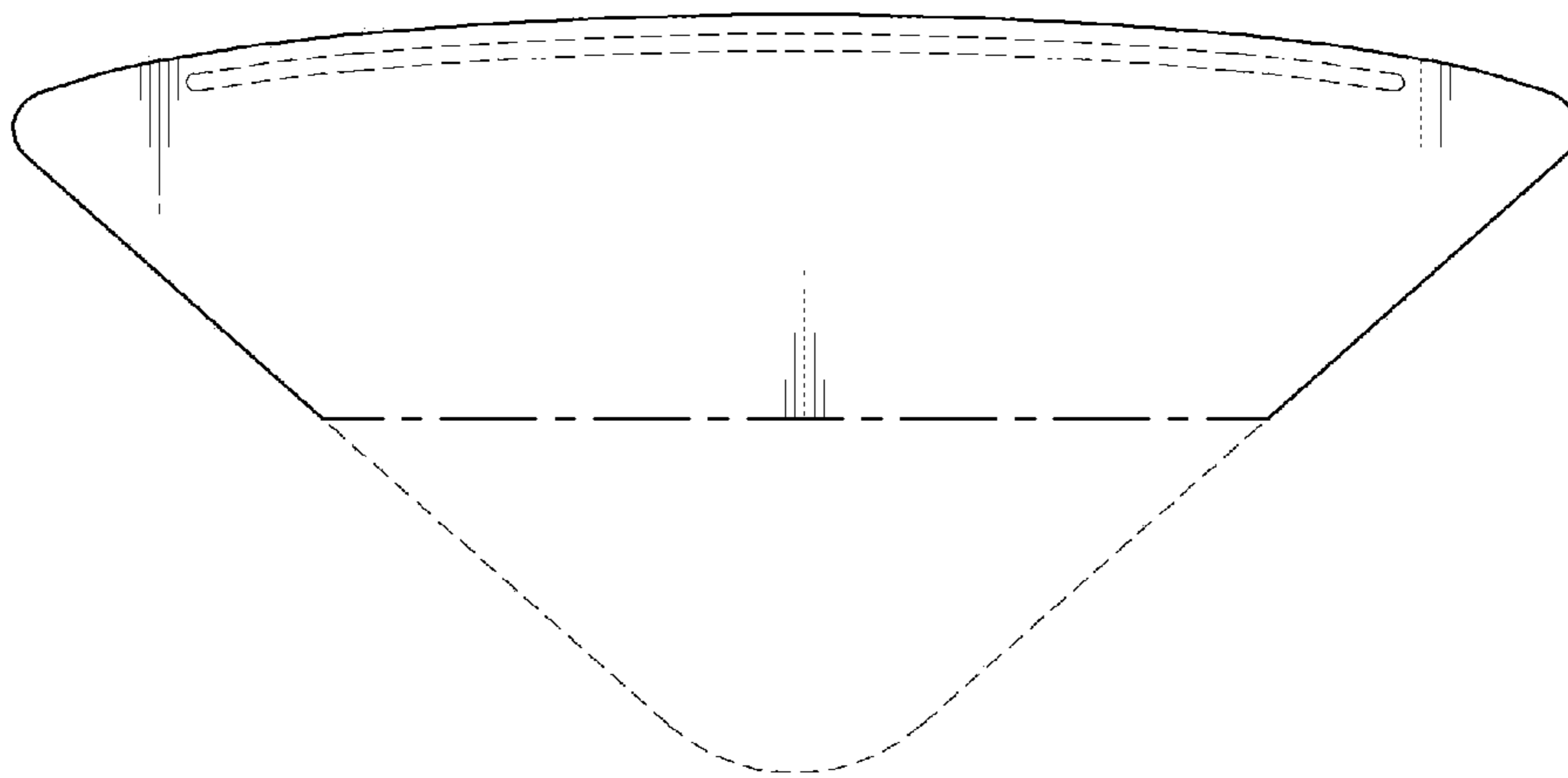




FIG. 8

