



US00D715249S

(12) **United States Design Patent**
Zhou

(10) **Patent No.:** **US D715,249 S**
(45) **Date of Patent:** **** Oct. 14, 2014**

(54) **VOICE BOX**

(71) Applicant: **Shenzhen Lepow Creative Technology Co., Ltd., Guangdong (CN)**

(72) Inventor: **Chaoran Zhou, Shenzhen (CN)**

(73) Assignee: **Shenzhen Lepow Creative Technology Co., Ltd., Shenzhen (CN)**

(**) Term: **14 Years**

(21) Appl. No.: **29/483,838**

(22) Filed: **Mar. 4, 2014**

(30) **Foreign Application Priority Data**

Dec. 31, 2013 (CN) 2013 3 0657448

(51) **LOC (10) Cl.** **14-03**

(52) **U.S. Cl.**
USPC **D14/159; D14/158**

(58) **Field of Classification Search**
USPC D14/167, 154, 168, 188, 496, 156, 160,
D14/161, 162, 163, 164, 165, 158, 253, 192,
D14/159, 155, 138 AB, 137, 104.1; 455/351,
455/350, 353; D10/104, 106, 65, 78;
340/573.4, 573.1

See application file for complete search history.

(56) **References Cited**

U.S. PATENT DOCUMENTS

D430,546 S * 9/2000 Gibson D14/137
D447,470 S * 9/2001 Obata D14/167

D472,885 S * 4/2003 Kataoka D14/167
7,104,656 B2 * 9/2006 Dwyer et al. 353/119
D542,279 S * 5/2007 Chan D14/216
D579,002 S * 10/2008 Nakao D14/214
D631,465 S * 1/2011 Lipsky et al. D14/167
D635,119 S * 3/2011 Van Hees D14/158
D645,047 S * 9/2011 Wike D14/447
D662,075 S * 6/2012 Gebski D14/159
D681,601 S * 5/2013 Gebski D14/159
D692,411 S * 10/2013 Joseph D14/215
D697,027 S * 1/2014 Ho D13/108

* cited by examiner

Primary Examiner — Austin Murphy

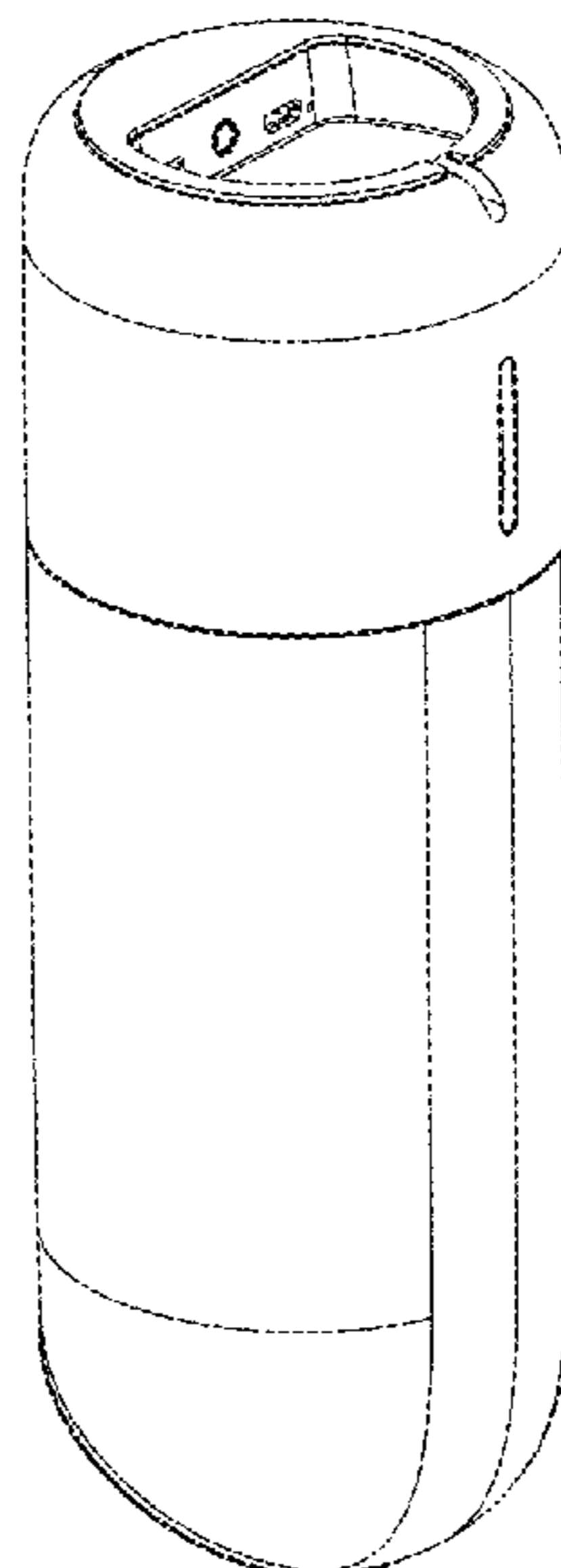
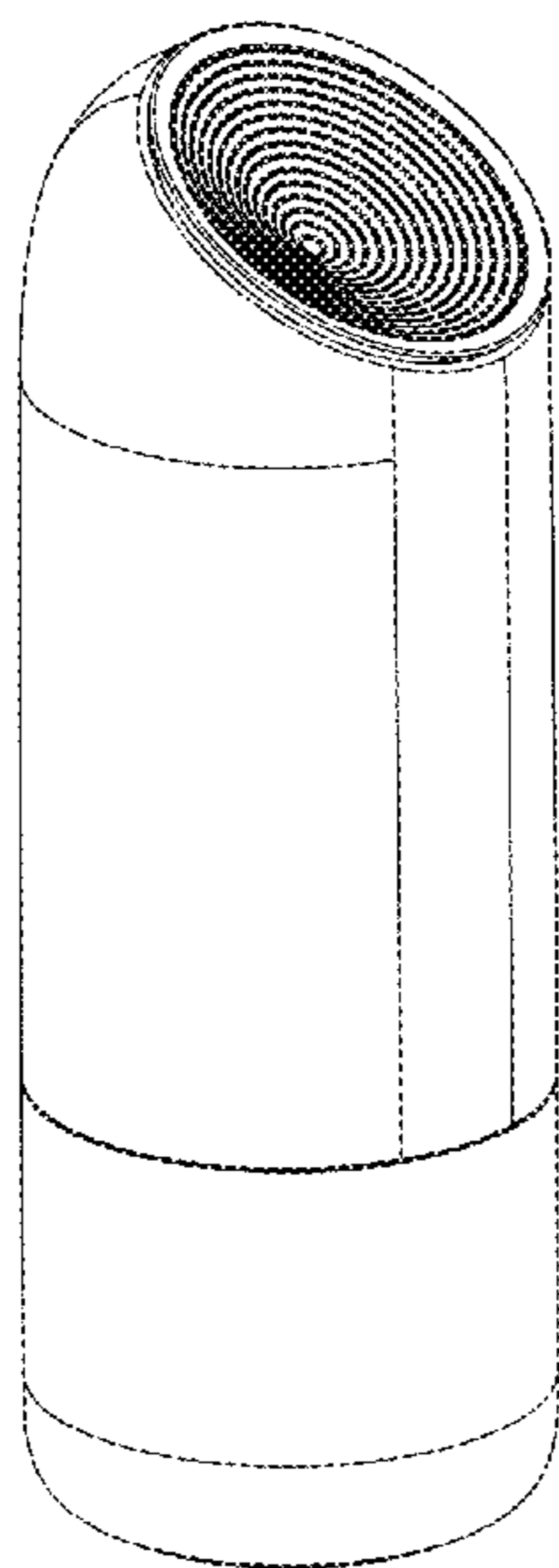
(57) **CLAIM**

The ornamental design for a voice box, as shown and described.

DESCRIPTION

FIG. 1 is a front view of a voice box showing my new design;
FIG. 2 is a rear view thereof;
FIG. 3 is a left view thereof;
FIG. 4 is a right view thereof;
FIG. 5 is a top view thereof;
FIG. 6 is a bottom view thereof;
FIG. 7 is a first perspective view thereof;
FIG. 8 is a second perspective view thereof;
FIG. 9 is a third perspective view thereof;
FIG. 10 is a fourth perspective view thereof;
FIG. 11 is a fifth perspective view thereof; and,
FIG. 12 is a sixth perspective view thereof.

1 Claim, 12 Drawing Sheets



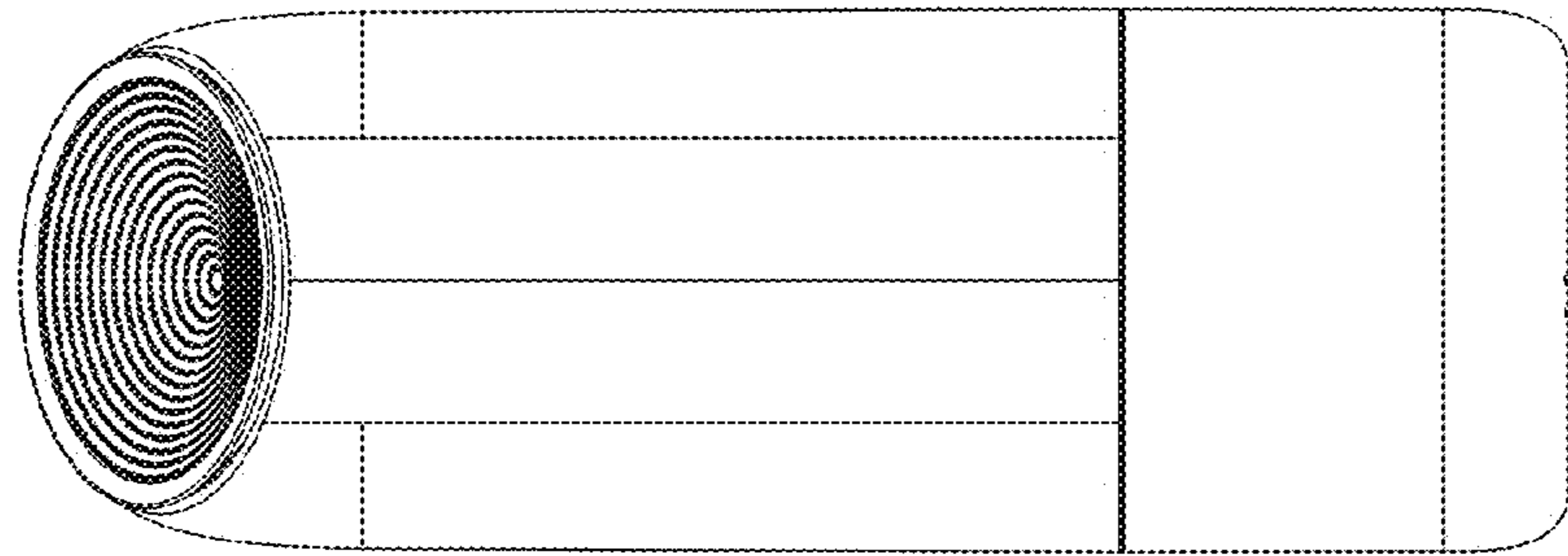


Fig. 1

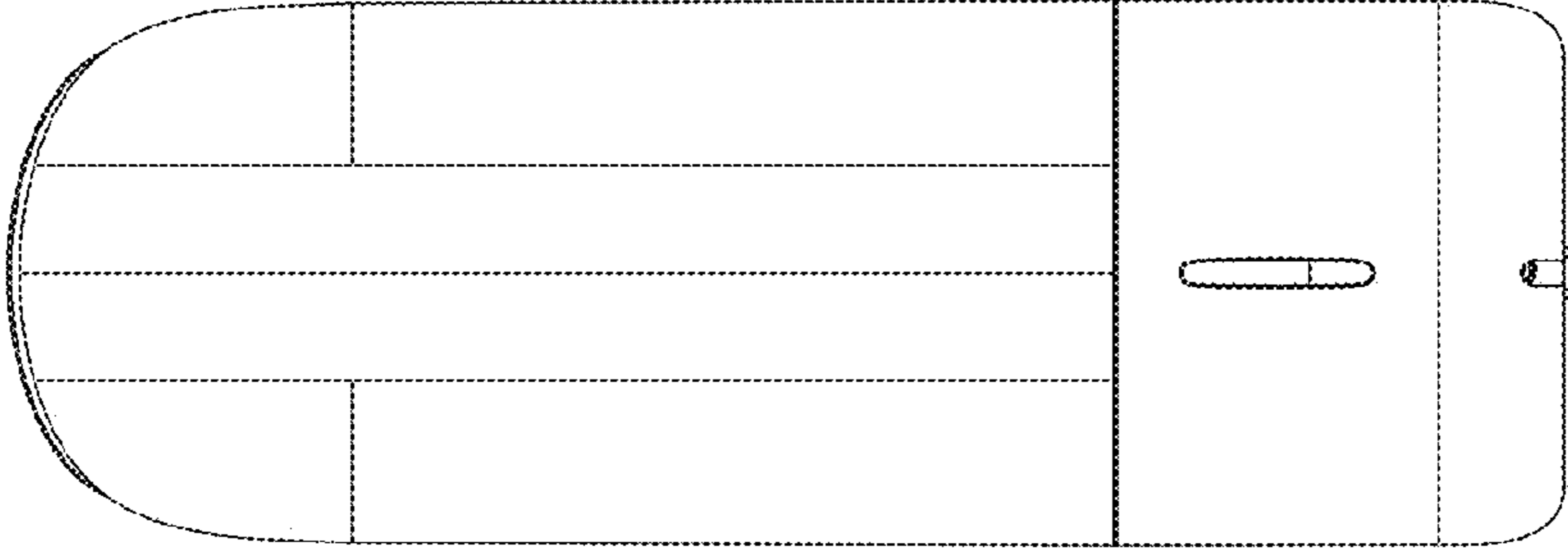


Fig. 2

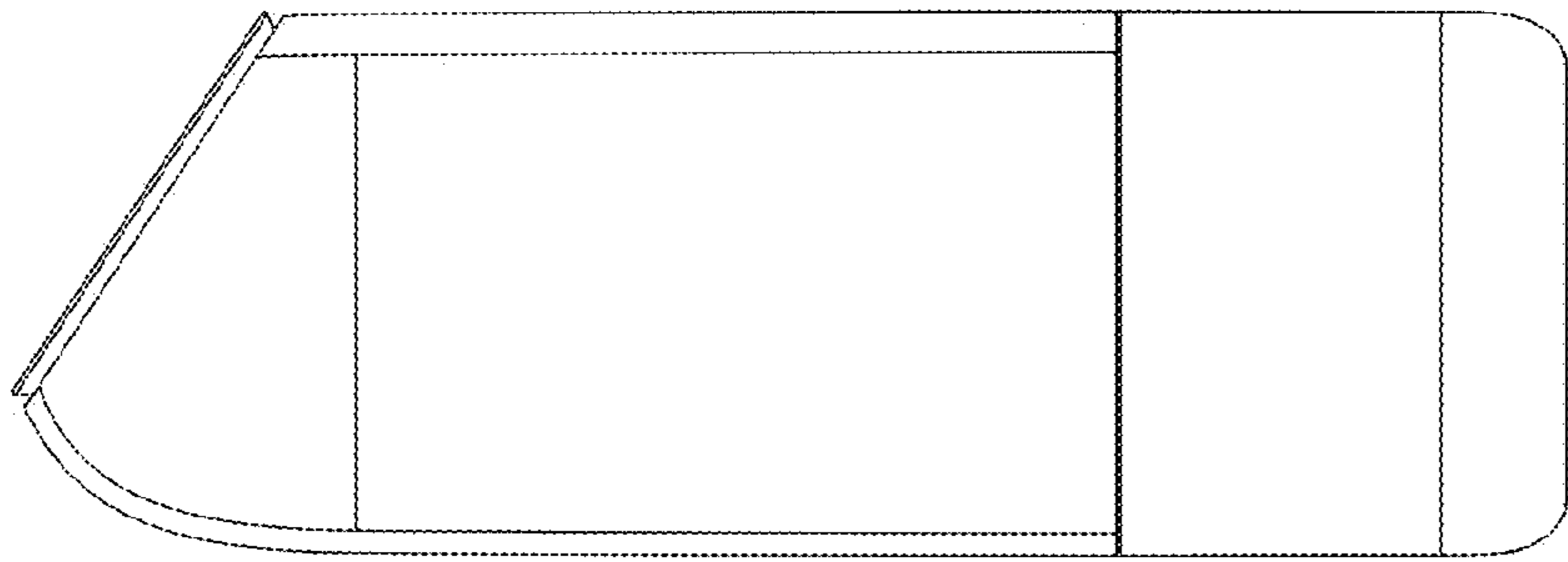


Fig. 3

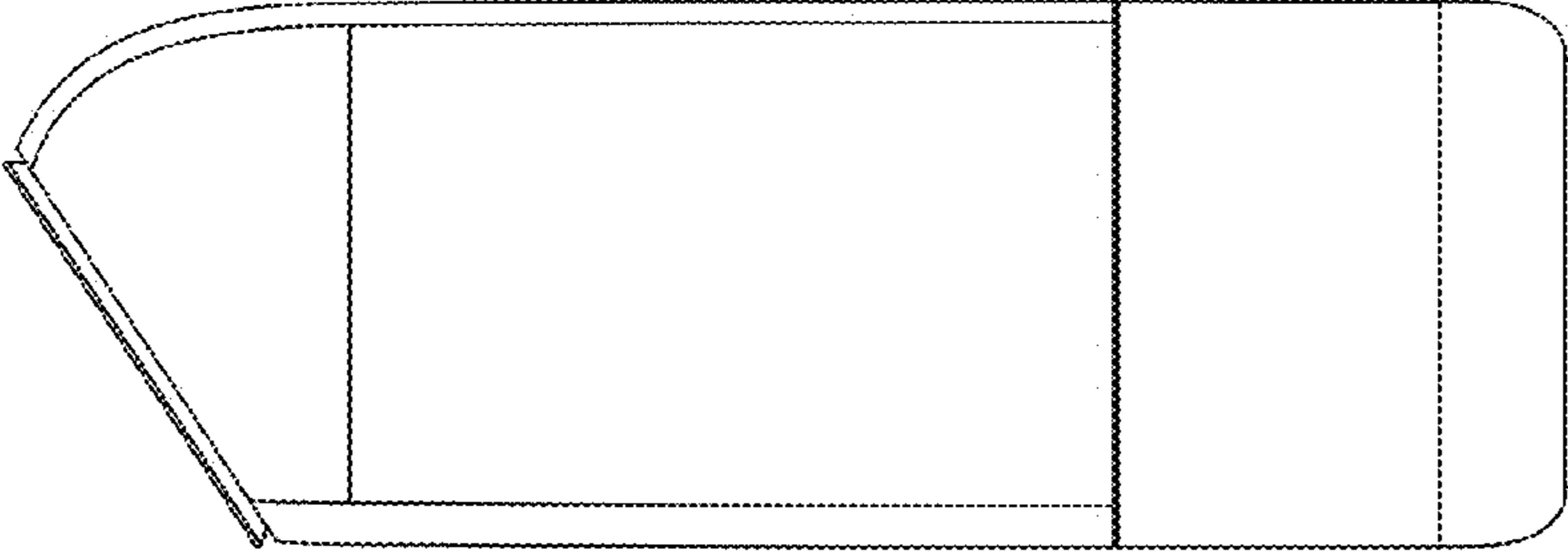


Fig. 4

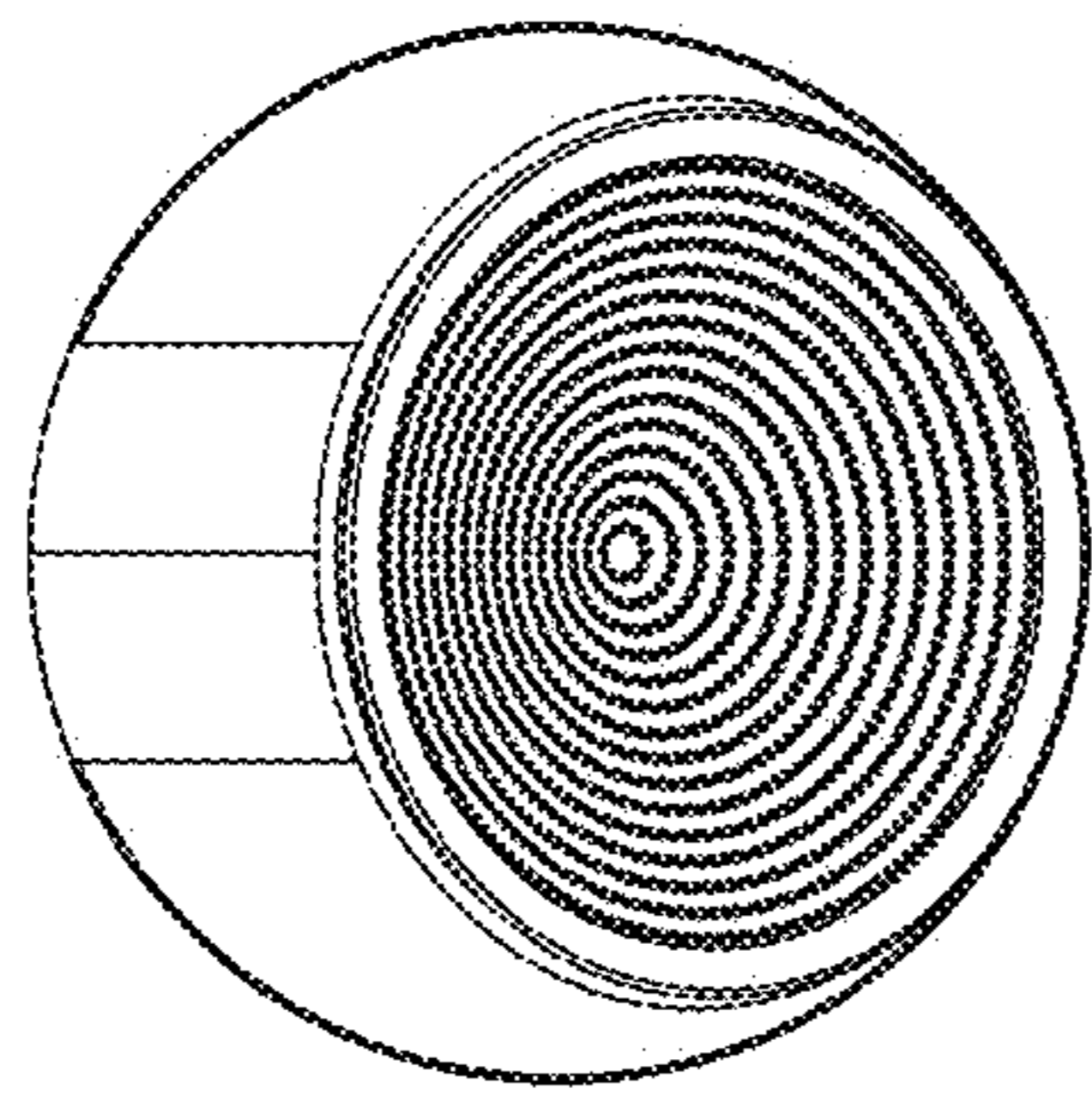


Fig. 5

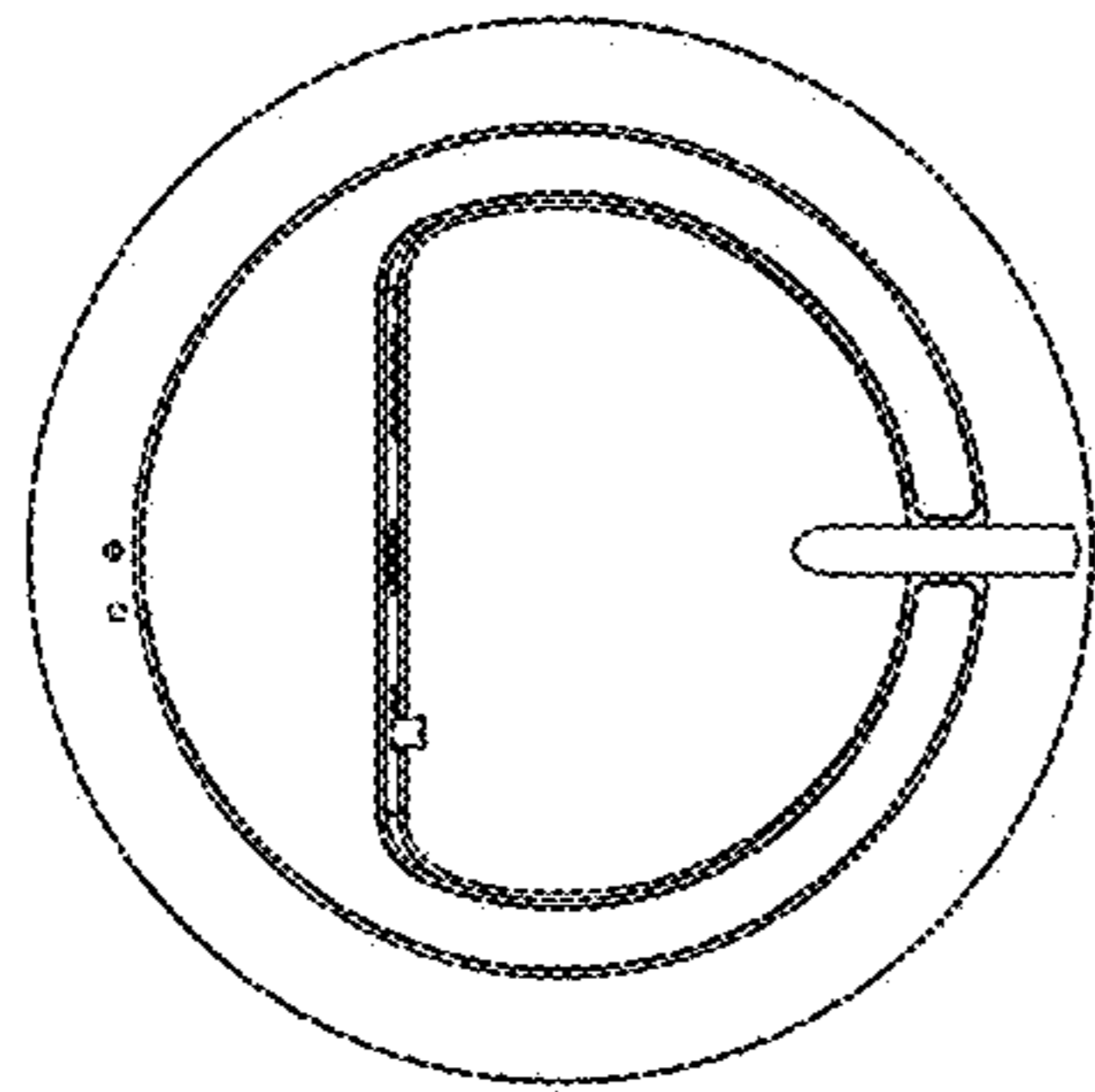


Fig. 6

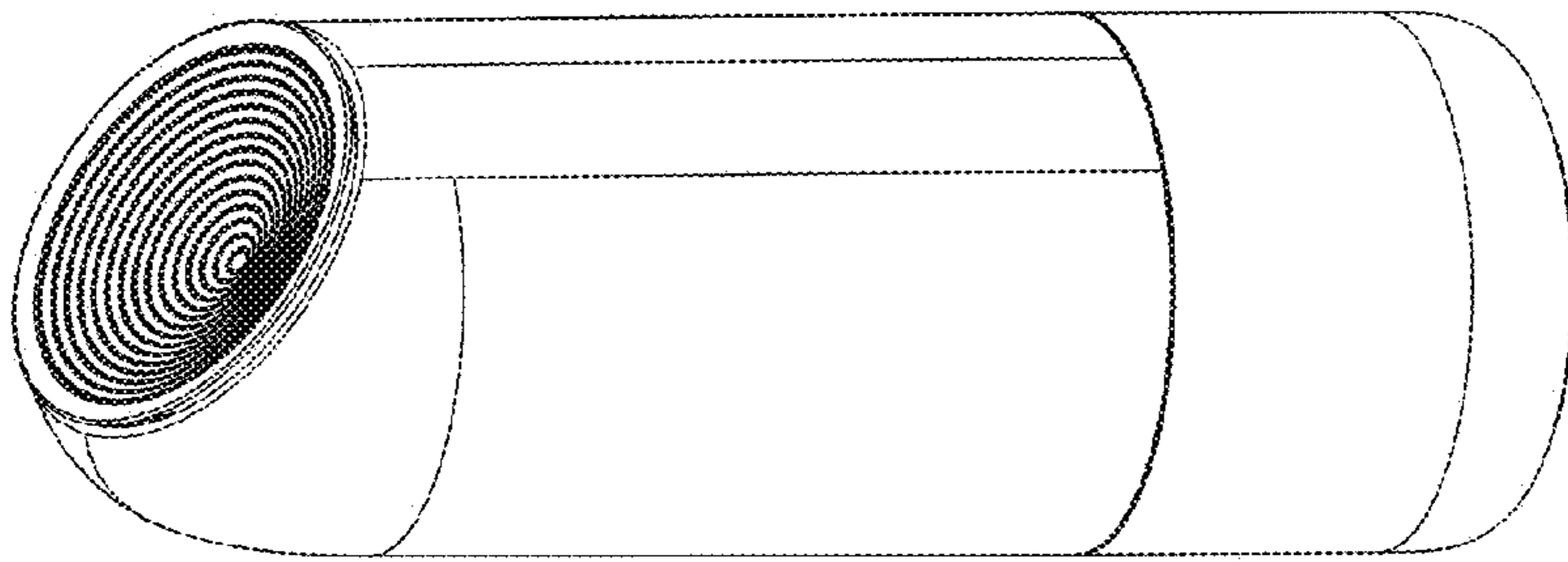


Fig. 7

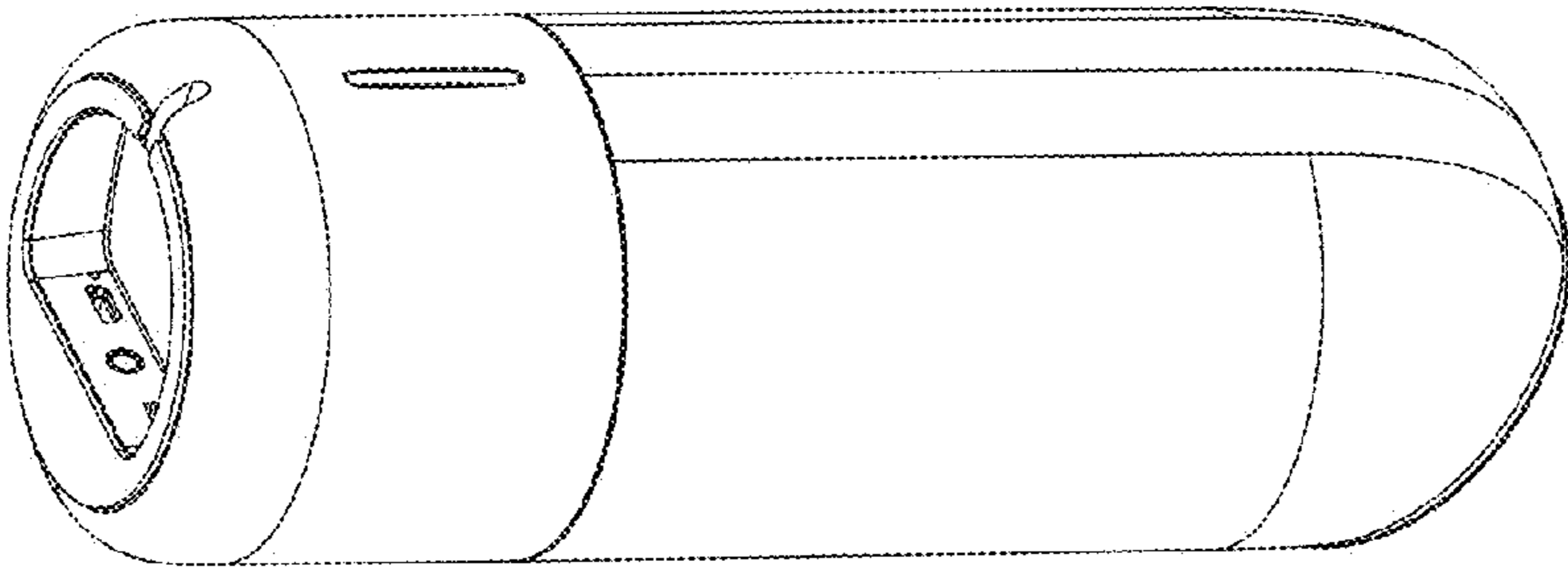


Fig. 8

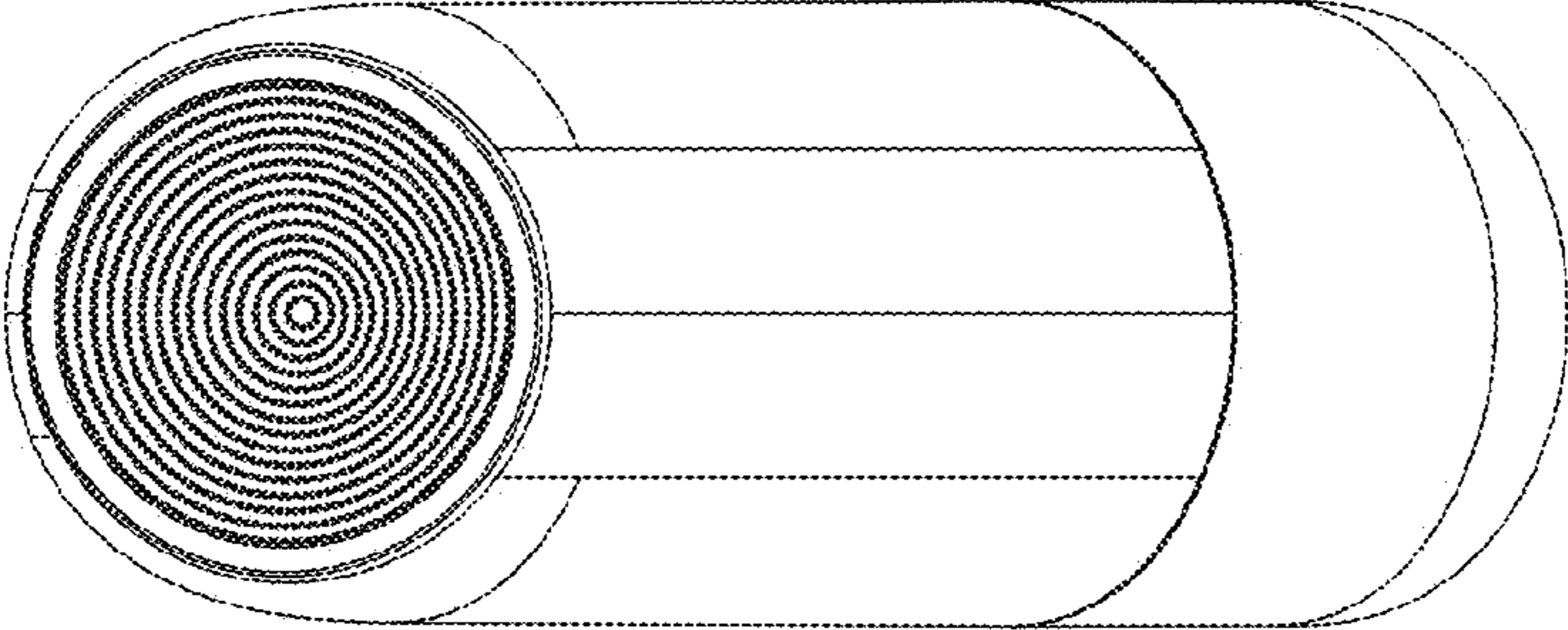


Fig. 9

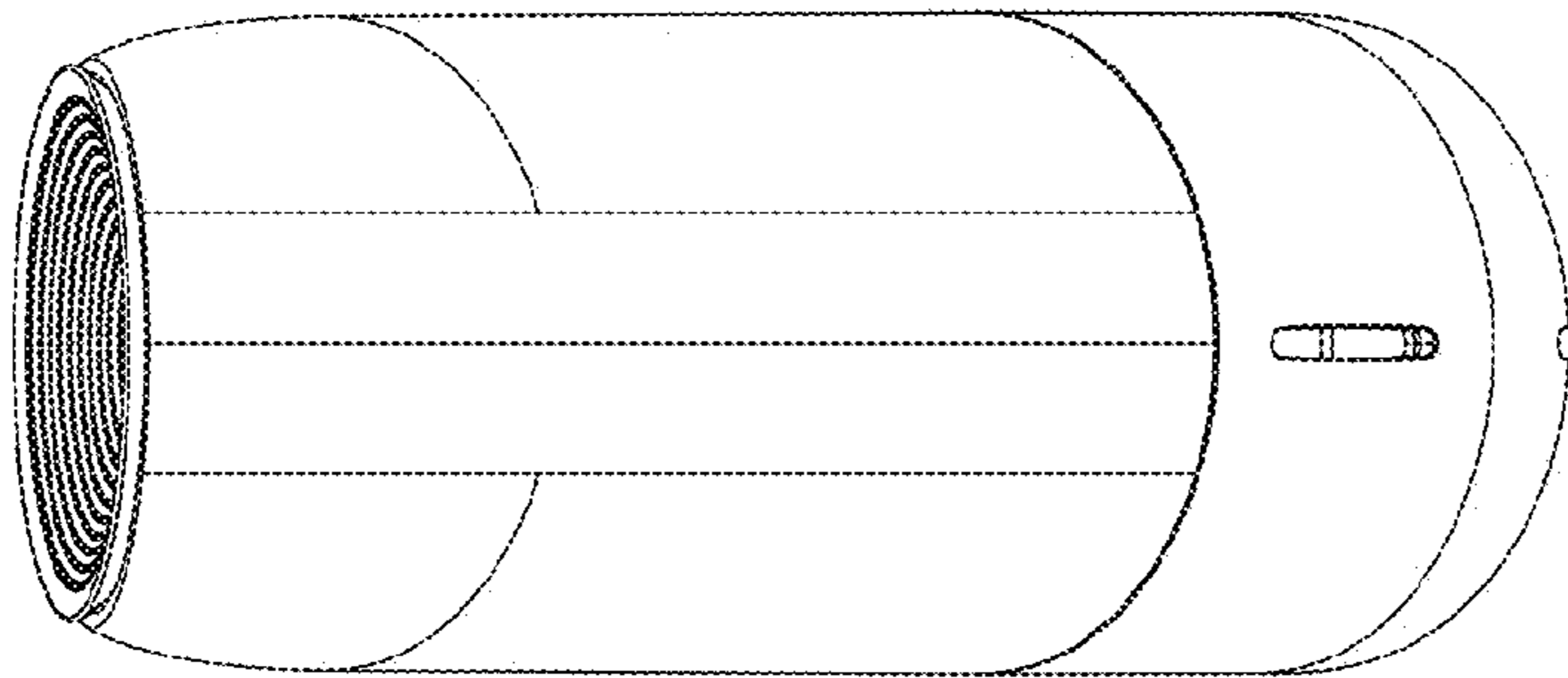


Fig. 10

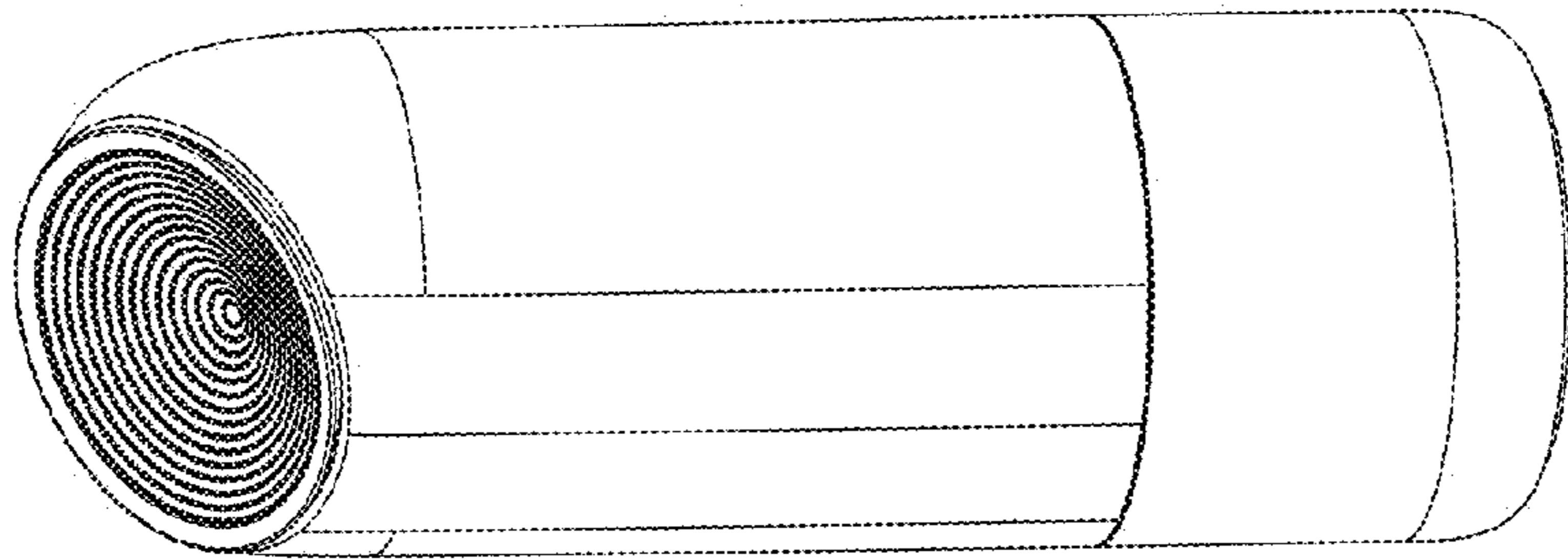


Fig. 11

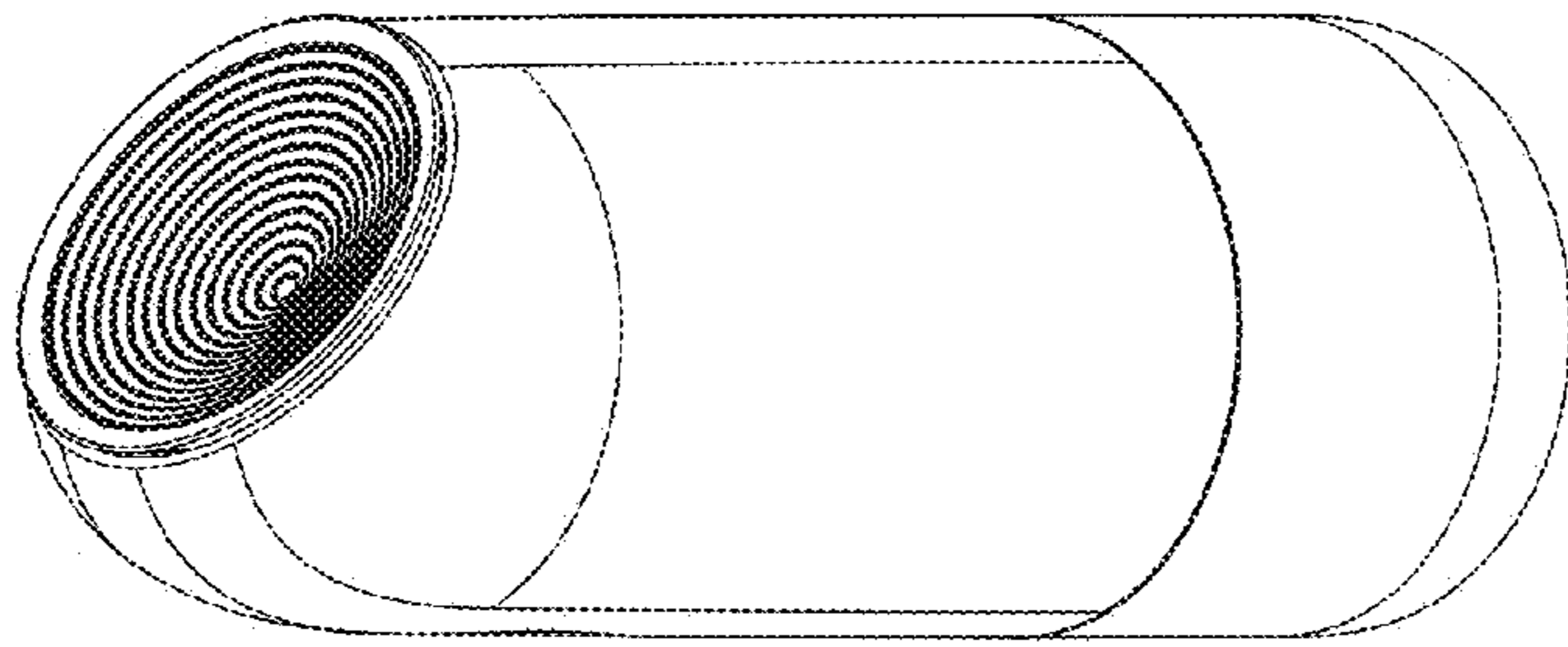


Fig. 12