



US00D715241S

(12) **United States Design Patent**
Jang et al.

(10) **Patent No.:** **US D715,241 S**

(45) **Date of Patent:** **** *Oct. 14, 2014**

(54) **TELEVISION RECEIVER**

(75) Inventors: **Yonghun Jang**, Seoul (KR); **Sehdong Yoo**, Gyeonggi-do (KR); **Yunhwan Sung**, Seoul (KR)

(73) Assignee: **LG Electronics Inc.**, Seoul (KR)

(*) Notice: This patent is subject to a terminal disclaimer.

(**) Term: **14 Years**

(21) Appl. No.: **29/407,337**

(22) Filed: **Nov. 28, 2011**

(51) **LOC (10) Cl.** **14-03**

(52) **U.S. Cl.**
USPC **D14/126**

(58) **Field of Classification Search**
USPC D14/126; 312/7.2; 348/836, 838, 180, 348/184, 325, 739; 341/12; 248/917-924, 248/465; 345/104, 133, 156, 168, 87, 173; 720/605, 600, 655; 455/347
See application file for complete search history.

(56) **References Cited**

U.S. PATENT DOCUMENTS

D618,640 S *	6/2010	Won et al.	D14/126
D624,512 S *	9/2010	Kim et al.	D14/126
D637,167 S *	5/2011	Tsai et al.	D14/126
D642,148 S *	7/2011	Kwon et al.	D14/126
D643,003 S *	8/2011	Ryu et al.	D14/126
D645,431 S *	9/2011	Boo et al.	D14/126

D648,296 S *	11/2011	Lee et al.	D14/126
D654,447 S *	2/2012	Lee et al.	D14/126
D680,091 S *	4/2013	Kim et al.	D14/126
D682,231 S *	5/2013	Lee et al.	D14/126
D682,233 S *	5/2013	Yoo et al.	D14/126
D693,784 S *	11/2013	Lee	D14/126
D694,209 S *	11/2013	Cho et al.	D14/126
D694,210 S *	11/2013	Fujii et al.	D14/126

* cited by examiner

Primary Examiner — Robert M Spear

Assistant Examiner — Eliza Bennett-Hattan

(74) *Attorney, Agent, or Firm* — Morgan, Lewis & Bockius LLP

(57) **CLAIM**

The ornamental design for a television receiver, as shown and described.

DESCRIPTION

FIG. 1 is a perspective view of a television receiver showing our new design;
FIG. 2 is a front view thereof;
FIG. 3 is a rear view thereof;
FIG. 4 is a left side view thereof;
FIG. 5 is a right side view thereof;
FIG. 6 is a top plan view thereof;
FIG. 7 is a bottom plan view thereof;
FIG. 8 is an enlarged view of section 8 in FIG. 4; and,
FIG. 9 is an enlarged view of section 9 in FIG. 4.
The broken lines in the drawings depict environmental subject matter only and form no part of the claimed design.

1 Claim, 8 Drawing Sheets

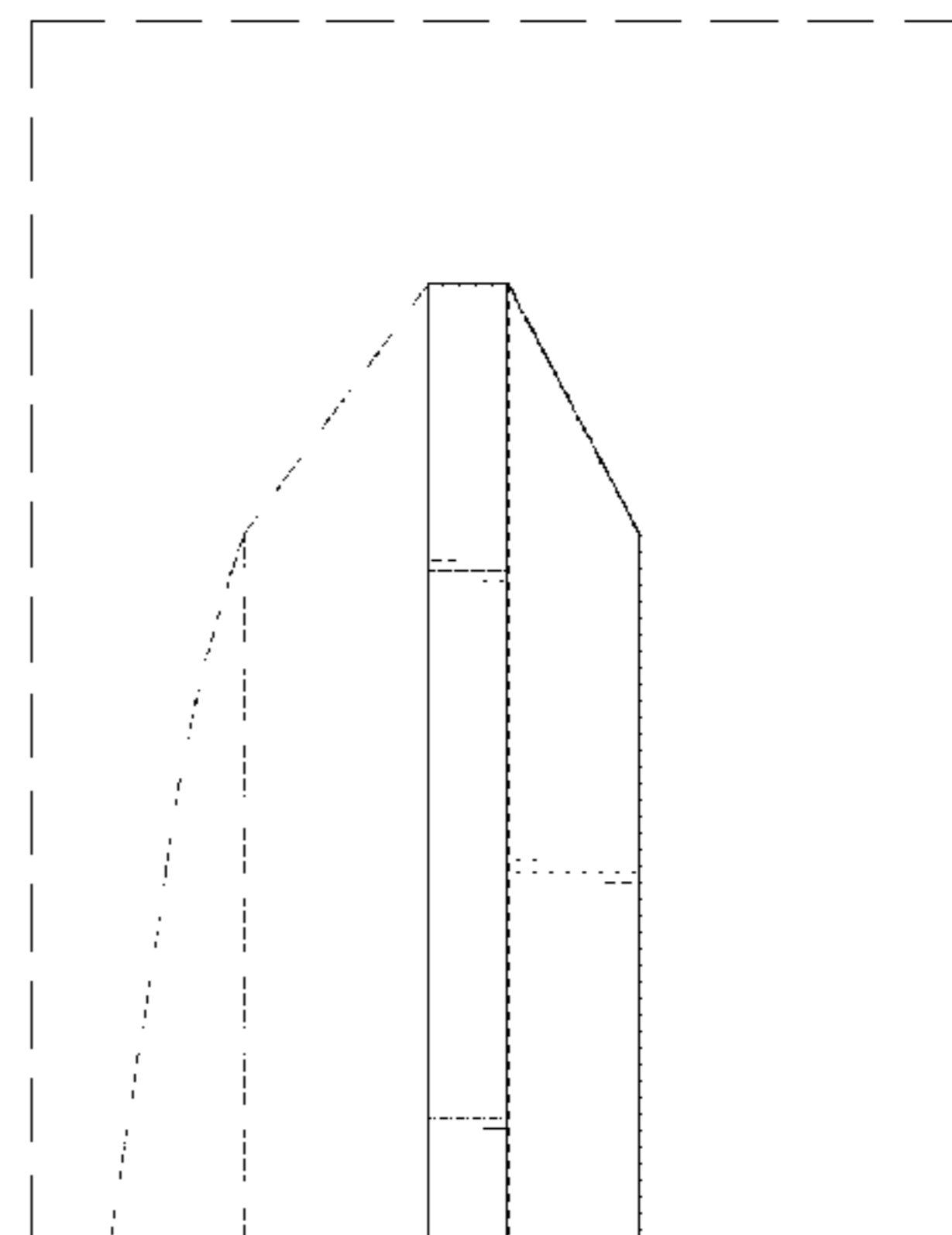
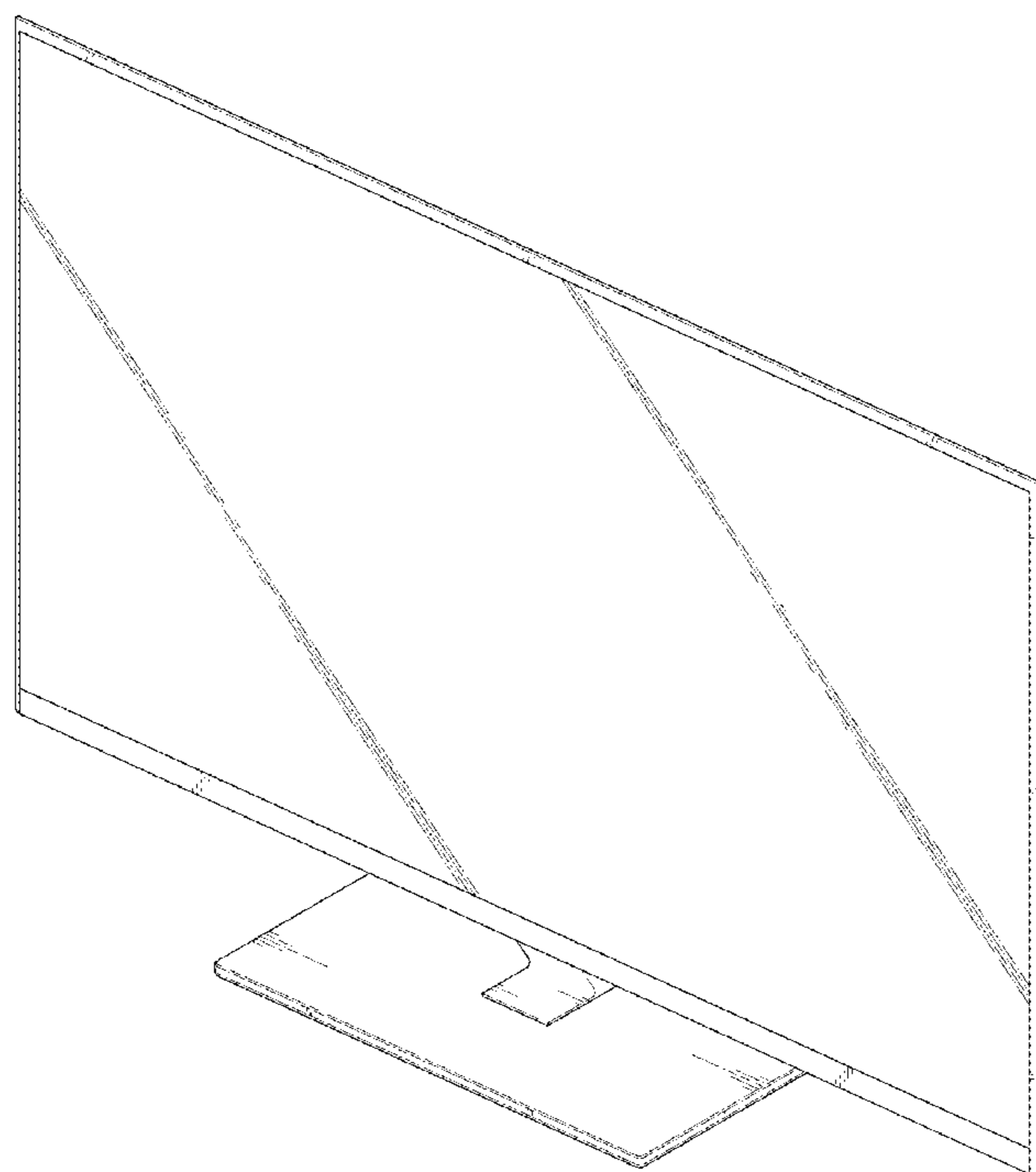


FIG. 1

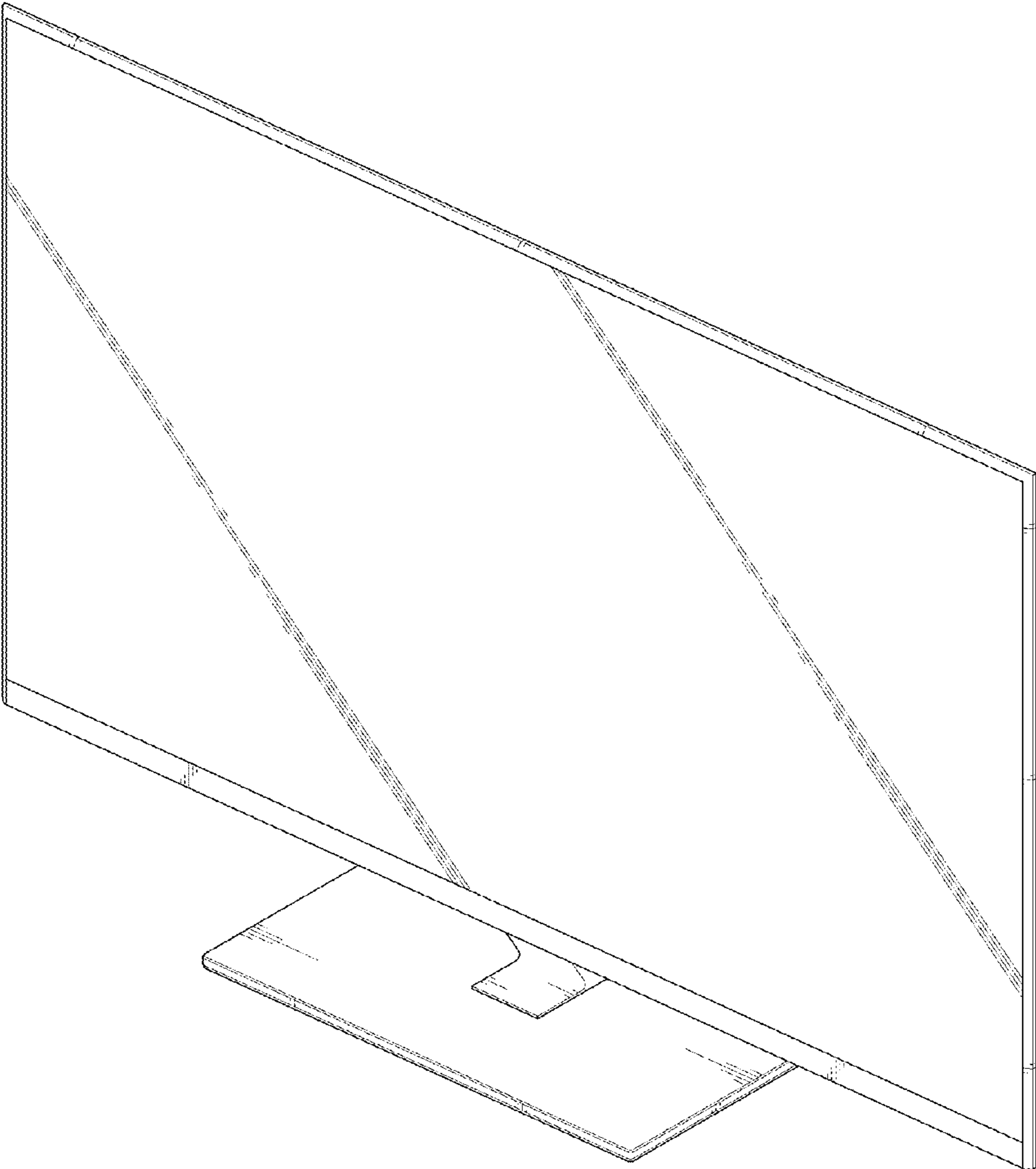


FIG. 2

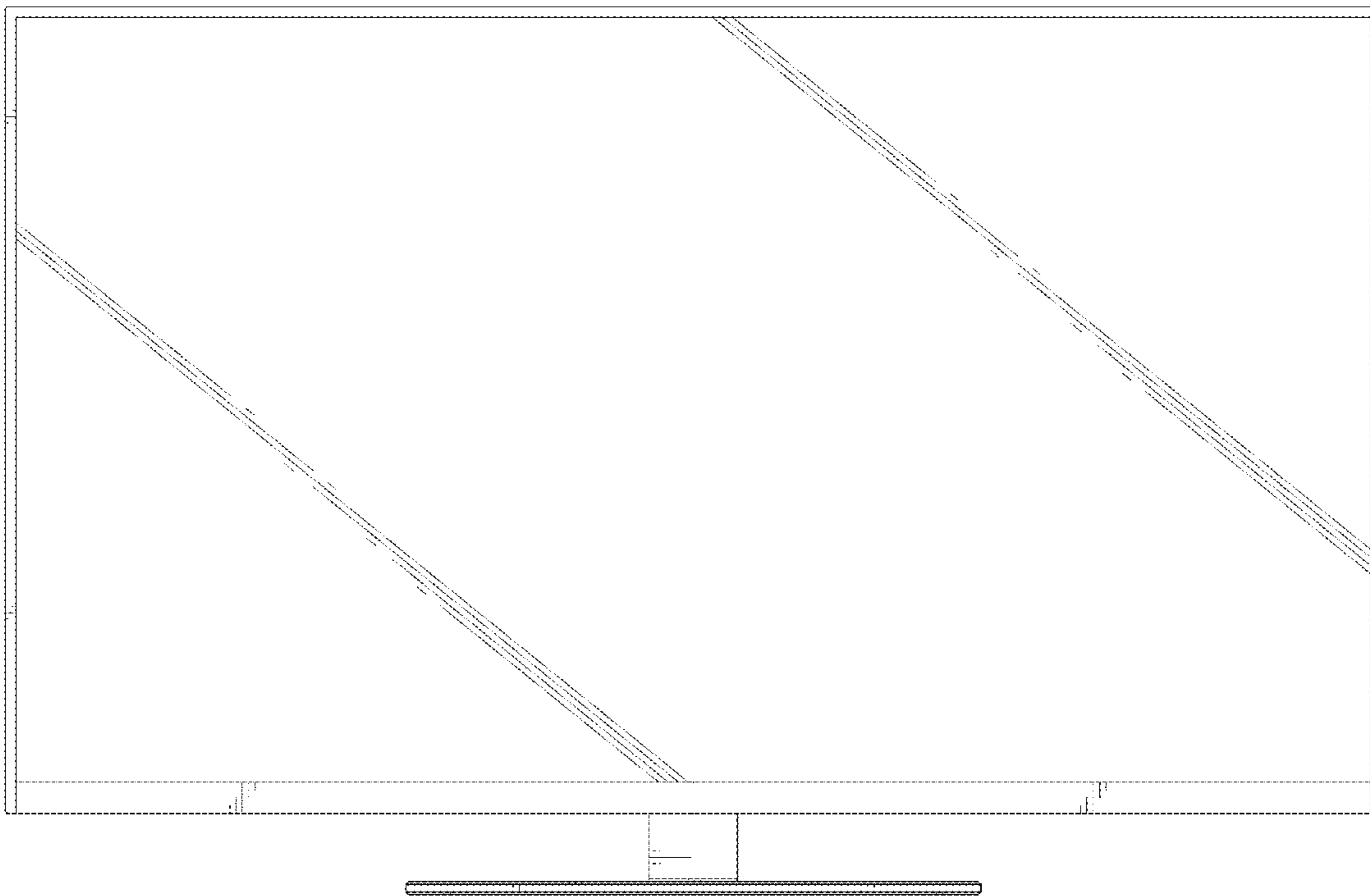


FIG. 3

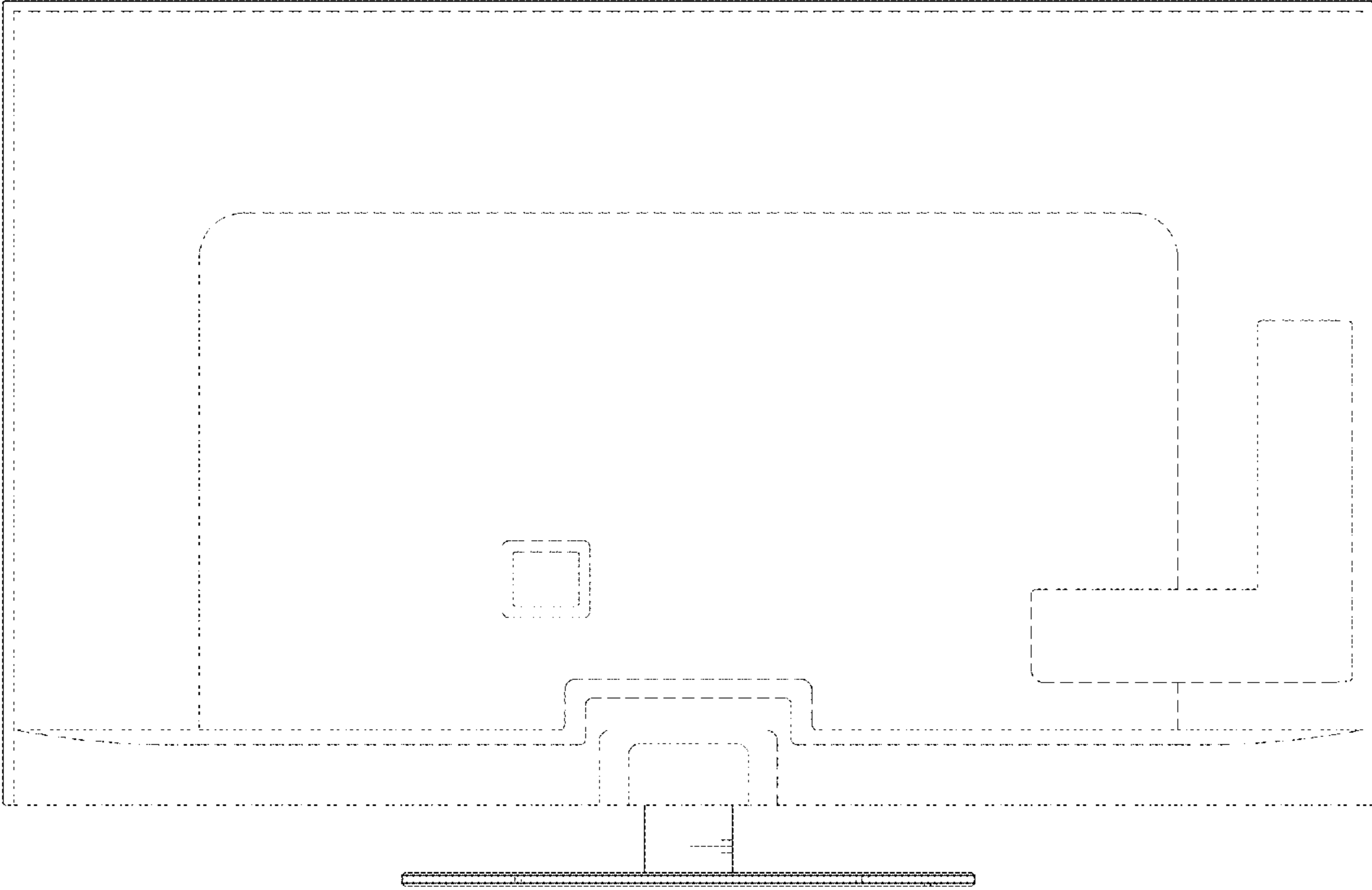


FIG. 4

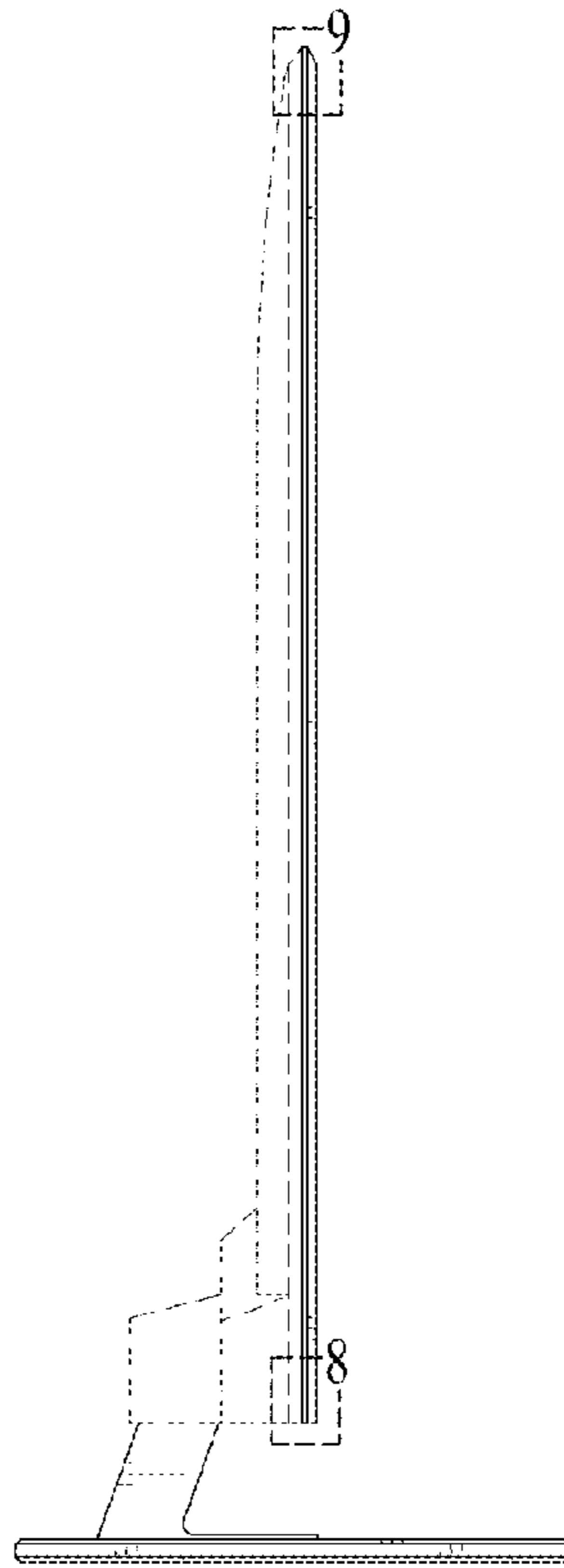


FIG. 5

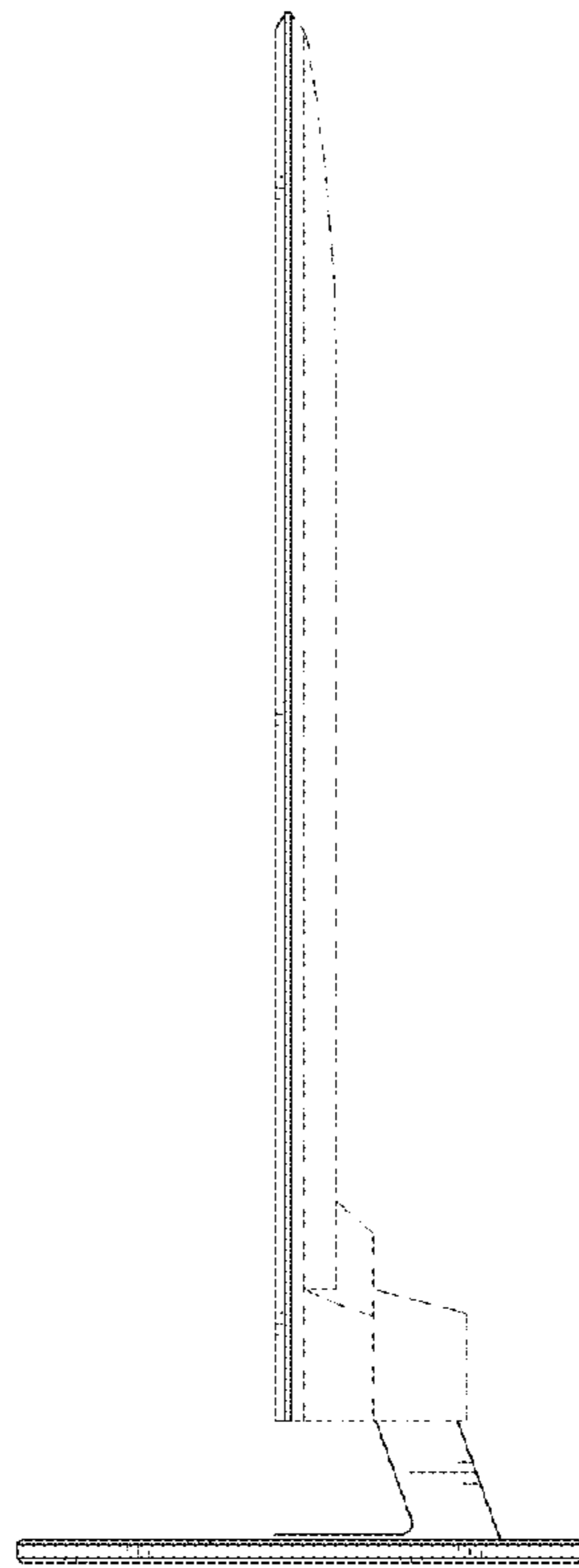


FIG. 6

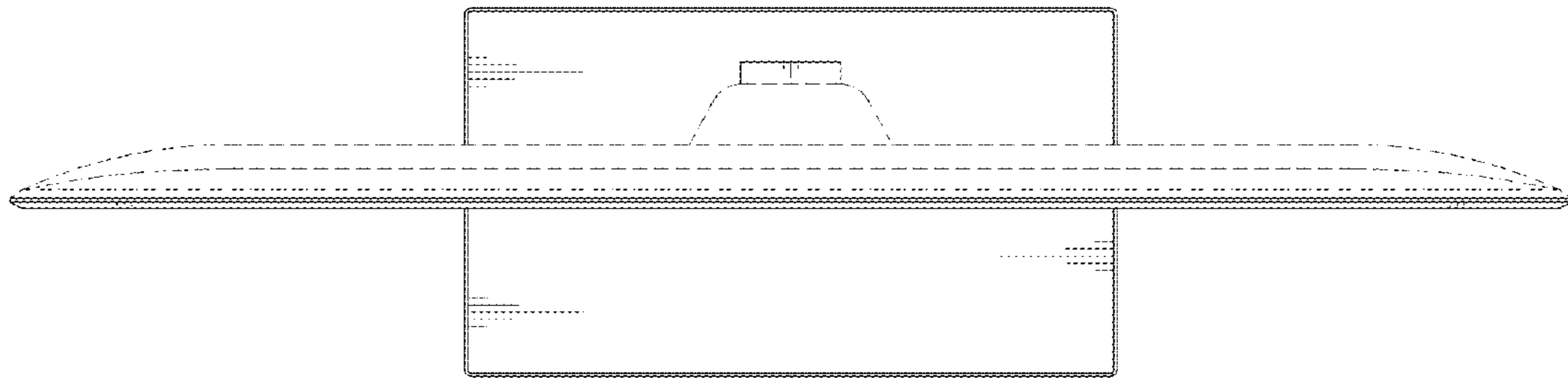


FIG. 7

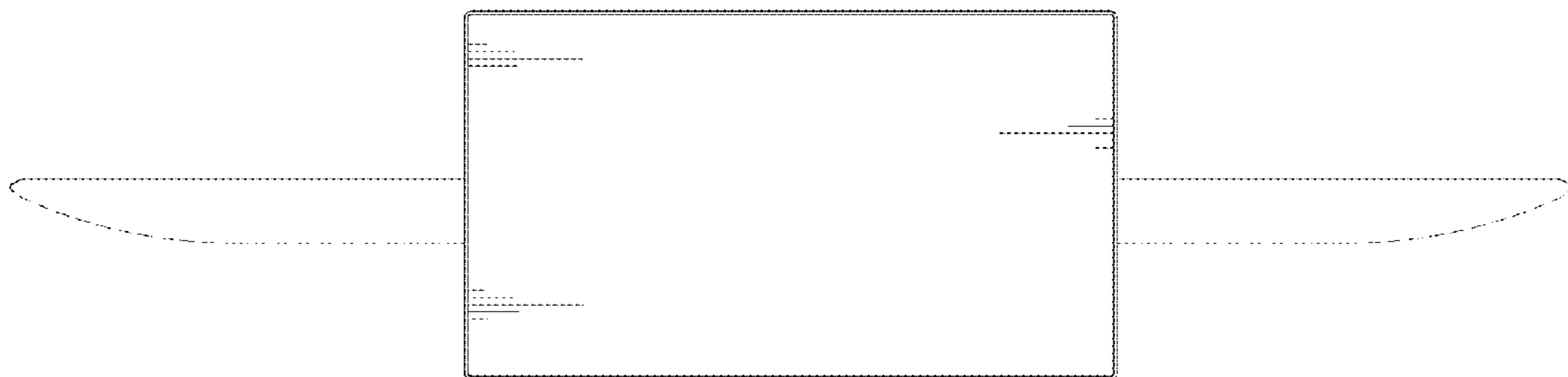


FIG. 8

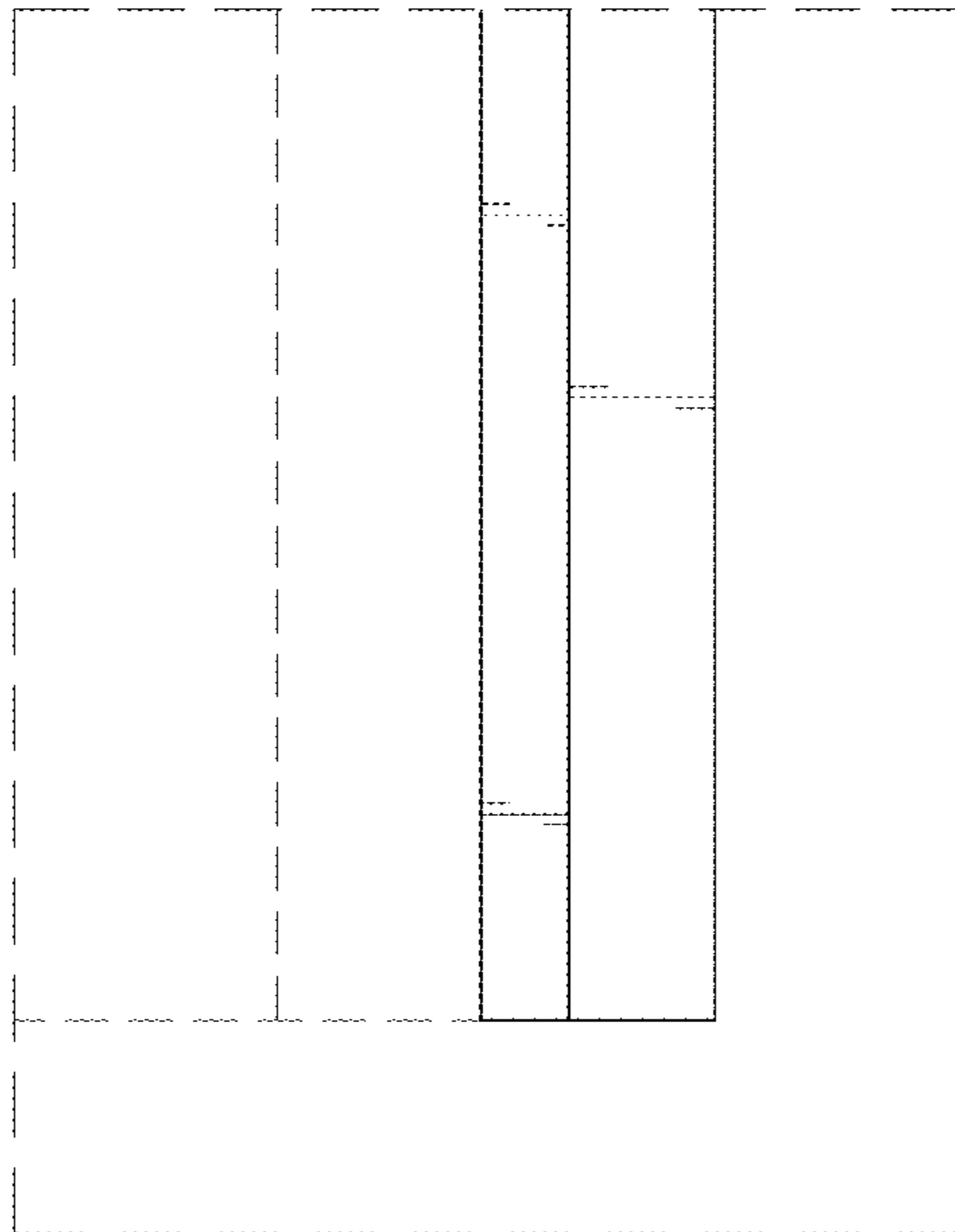


FIG. 9

