



US00D715229S

(12) **United States Design Patent**
Klaska et al.

(10) **Patent No.:** **US D715,229 S**
(45) **Date of Patent:** **** Oct. 14, 2014**

(54) **POLE PART**

(56)

References Cited

(71) Applicant: **ABB Technology AG**, Zürich (CH)

U.S. PATENT DOCUMENTS

(72) Inventors: **Arne Klaska**, Düsseldorf (DE); **Dietmar Gentsch**, Ratingen (DE); **Christian Reuber**, Zurich (CH); **Zhenhua Fan**, Essen (DE); **Dariusz Bednarowski**, Krakow (PL); **Guenter Pilsinger**, Zurich (CH); **Lukasz Malinowski**, Zurich (CH); **Lukasz Ziomka**, Zurich (CH); **Wenkai Shang**, Zurich (CH)

D556,696	S	*	12/2007	Ruemenapp	D13/158
D558,147	S	*	12/2007	Ruemenapp	D13/158
D558,148	S	*	12/2007	Ruemenapp	D13/160
D658,133	S	*	4/2012	Shang et al.	D13/158
D658,589	S	*	5/2012	Shang et al.	D13/158
D660,253	S	*	5/2012	Gentsch	D13/158
D692,839	S	*	11/2013	Shang	D13/158
2012/0175346	A1	*	7/2012	Shang	218/134

* cited by examiner

(73) Assignee: **ABB Technology AG**, Zurich (CH)

Primary Examiner — Thomas Johannes

(**) Term: **14 Years**

(74) *Attorney, Agent, or Firm* — Buchanan Ingersoll & Rooney PC

(21) Appl. No.: **29/434,987**

(57) **CLAIM**

The ornamental design for a pole part, as shown and described.

(22) Filed: **Oct. 18, 2012**

DESCRIPTION

(30) **Foreign Application Priority Data**

Apr. 18, 2012 (EM) 002028795-0001

(51) **LOC (10) Cl.** **13-03**

(52) **U.S. Cl.**
USPC **D13/158**

(58) **Field of Classification Search**
CPC G11B 5/1278; G11B 5/3116; G11B 5/313;
H01H 2033/6623; H01H 33/66207
USPC D13/120, 158, 160, 184, 199; 218/118,
218/119, 7, 77, 78, 79, 2, 102; 251/172;
361/605, 612

FIG. 1 is a front perspective view of a pole part showing our new design.

FIG. 2 is a front elevational view thereof.

FIG. 3 is a rear elevational view thereof.

FIG. 4 is a left side elevational view thereof.

FIG. 5 is a right side elevational view thereof.

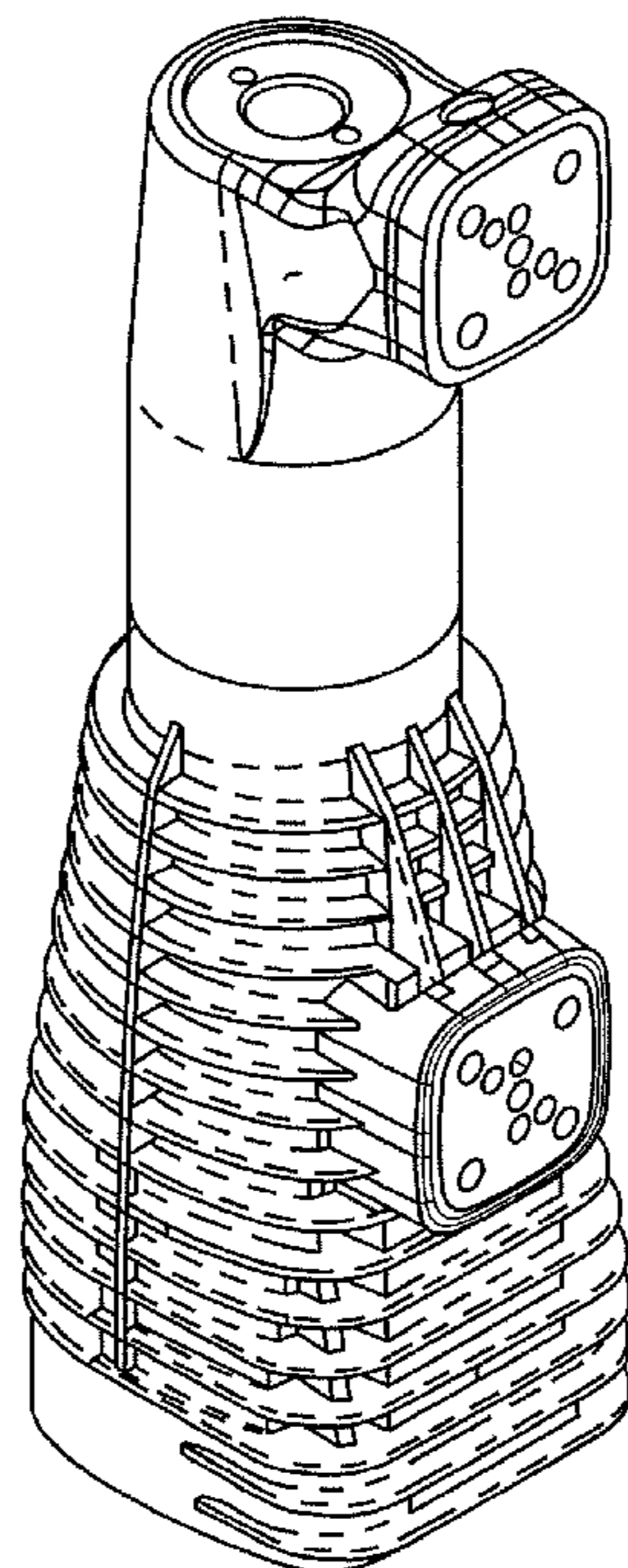
FIG. 6 is a top plan view thereof; and,

FIG. 7 is a bottom plan view thereof.

The broken line portion of the drawing figures is included to show unclaimed subject matter only and forms no part of the claimed design.

See application file for complete search history.

1 Claim, 6 Drawing Sheets



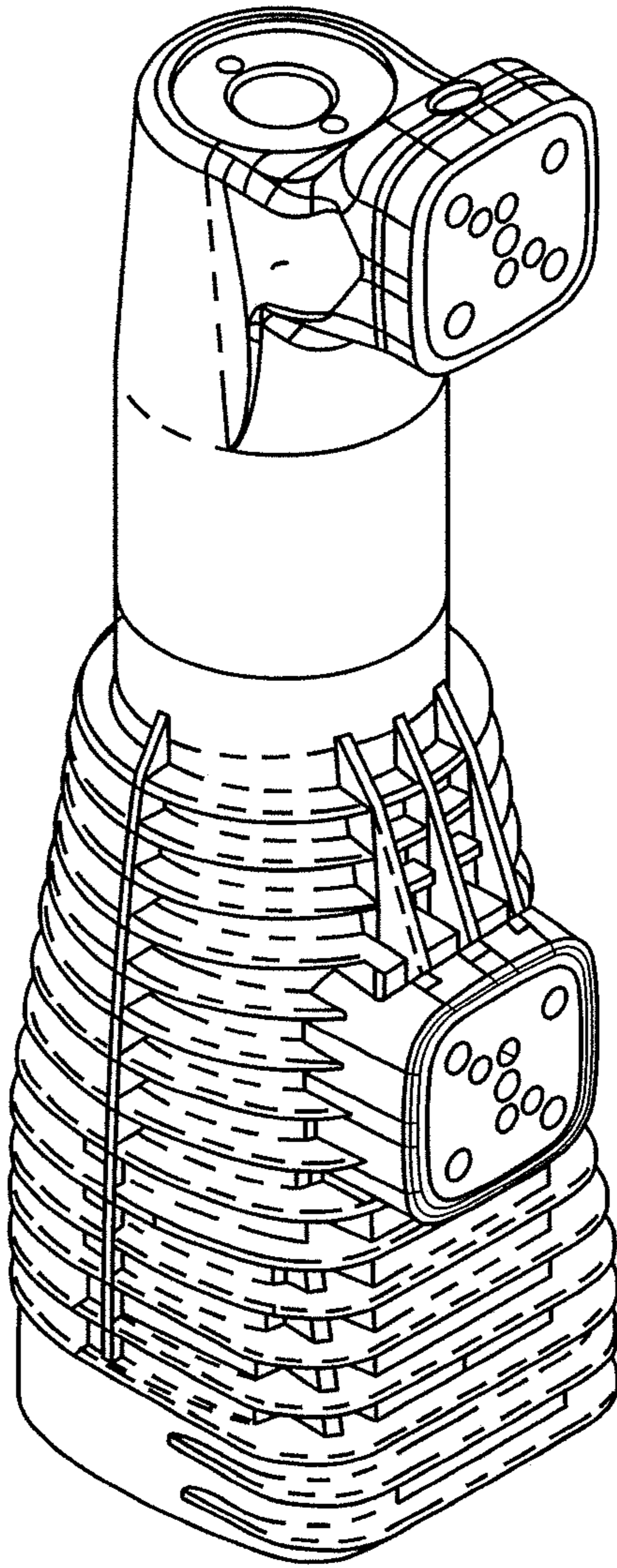


FIG. 1

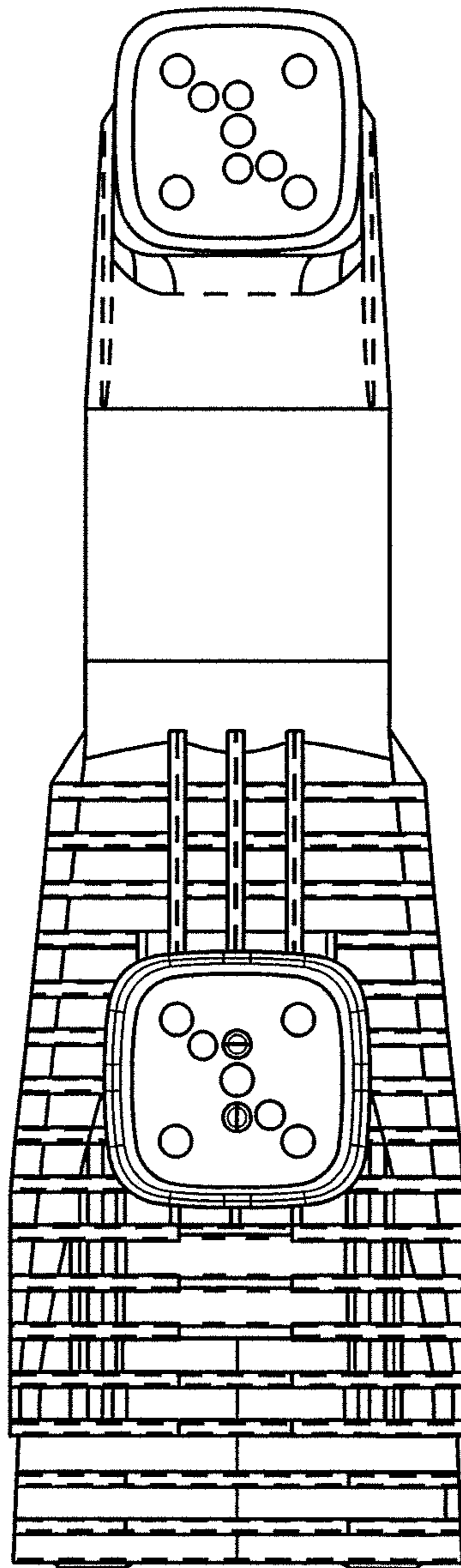


FIG. 2

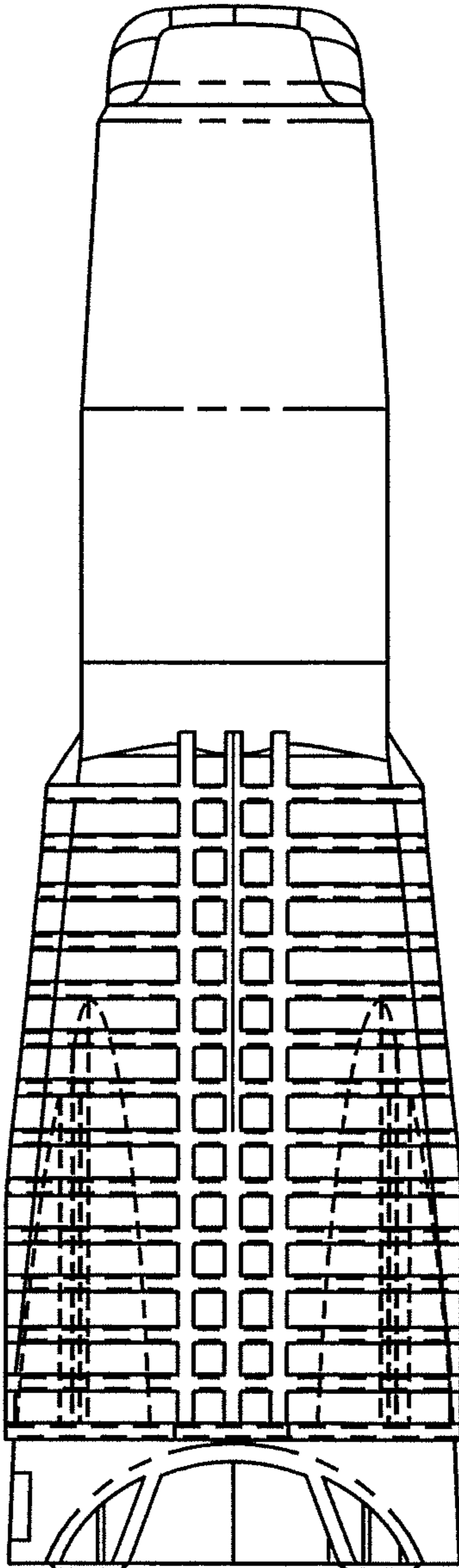


FIG. 3

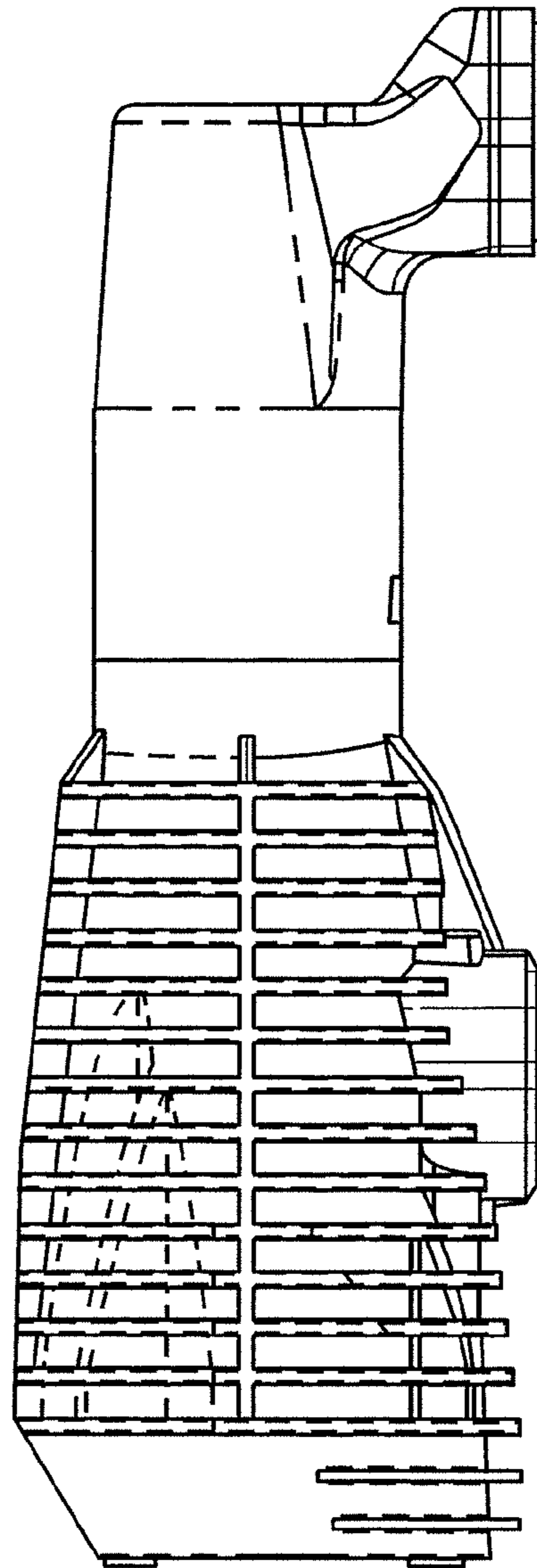


FIG. 4

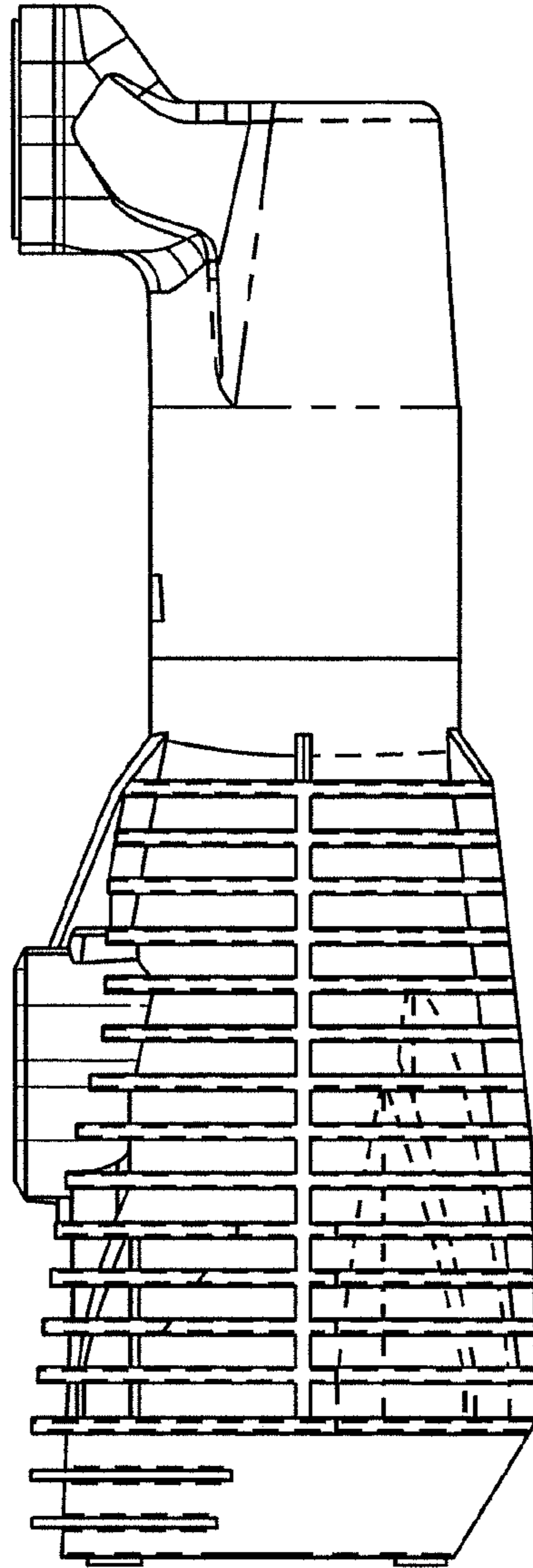


FIG. 5

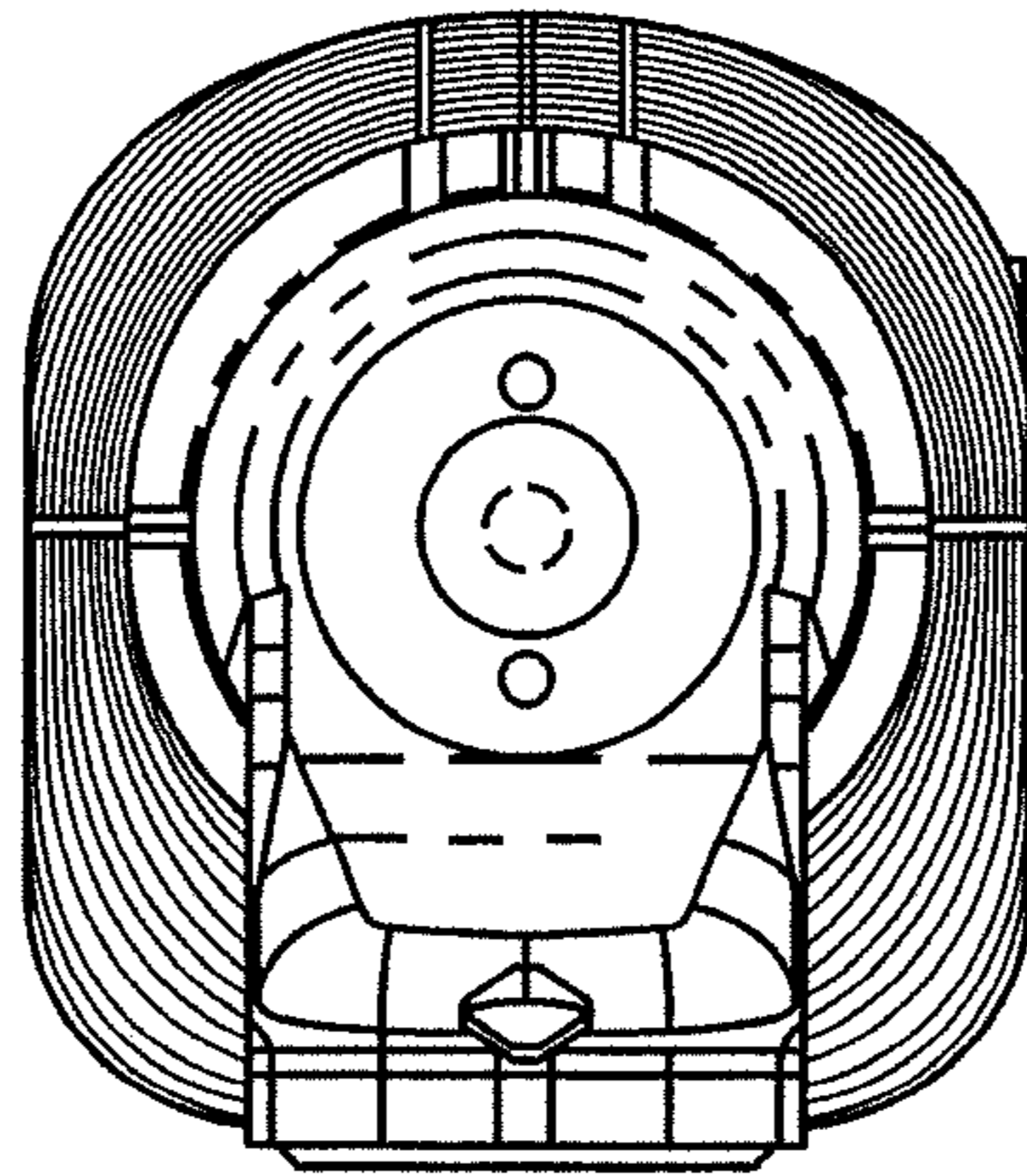


FIG. 6

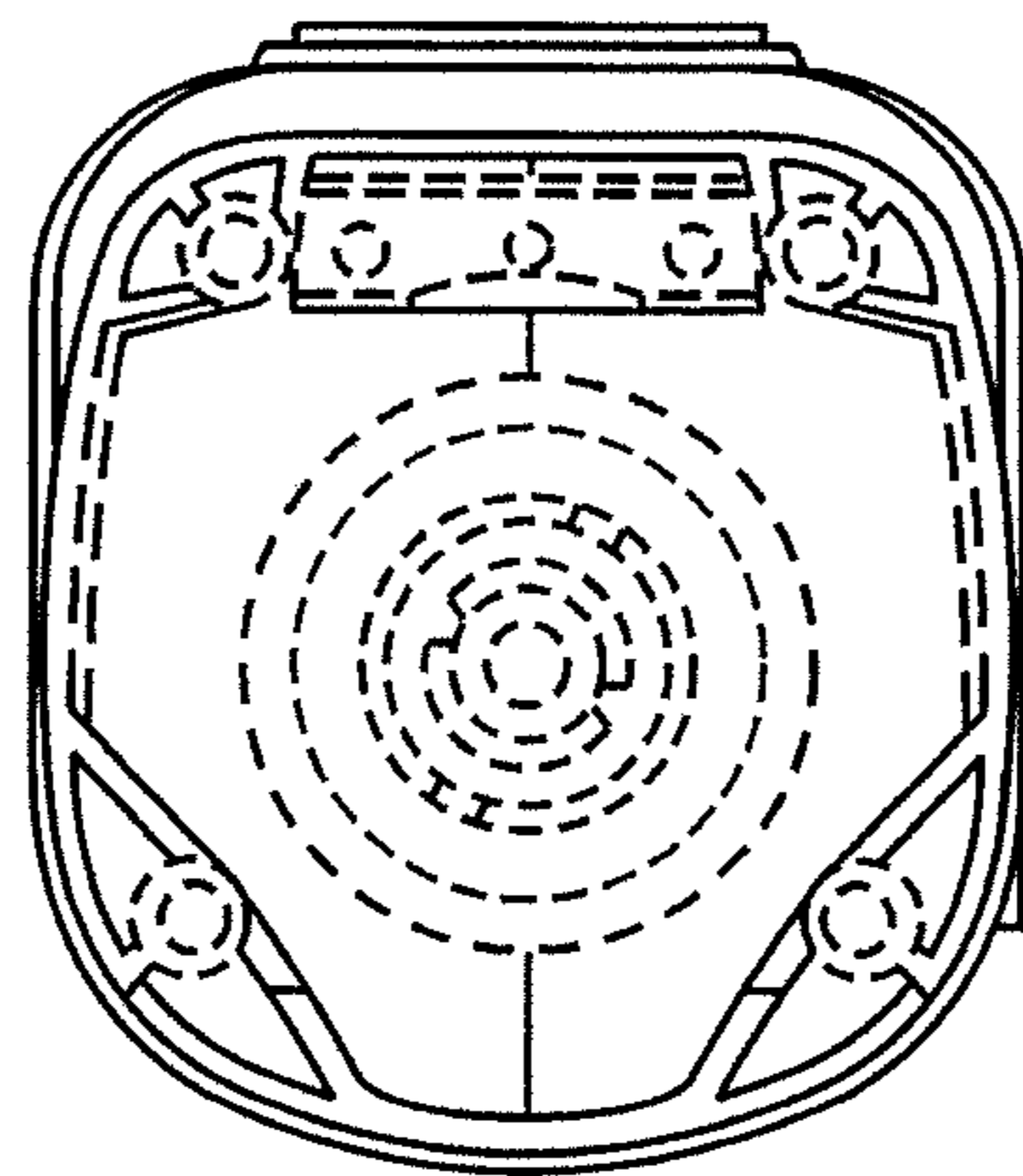


FIG. 7