



US00D715227S

(12) **United States Design Patent**
Leem

(10) **Patent No.:** **US D715,227 S**
(45) **Date of Patent:** **** Oct. 14, 2014**

(54) **CABLE CONNECTOR**
(71) Applicant: **Leem Products Co., Ltd.**, Incheon (KR)
(72) Inventor: **Ick-Chan Leem**, Incheon (KR)
(73) Assignee: **Leem Products Co., Ltd.**, Incheon (KR)
(**) Term: **14 Years**

(21) Appl. No.: **29/432,533**
(22) Filed: **Sep. 17, 2012**

(30) **Foreign Application Priority Data**
Mar. 16, 2012 (KR) 30-2012-0012685
Aug. 29, 2012 (KR) 30-2012-0041504

(51) **LOC (10) Cl.** **13-03**
(52) **U.S. Cl.**
USPC **D13/146**

(58) **Field of Classification Search**
USPC D13/146-147, 154, 184, 199; 439/108,
439/314-316, 322, 337, 357-358, 607.1,
439/607.2, 607.3, 607.4, 607.45, 607.49,
439/607.58, 660, 668, 680, 892, 899
See application file for complete search history.

(56) **References Cited**
U.S. PATENT DOCUMENTS
D399,188 S * 10/1998 Lin D13/146
D399,189 S * 10/1998 Lin D13/146

D415,469 S * 10/1999 Lee D13/146
D434,003 S * 11/2000 Brisson D13/146
D505,918 S * 6/2005 Conway et al. D13/147
D512,378 S * 12/2005 Dobler D13/146
D512,965 S * 12/2005 Dobler D13/146
D524,738 S * 7/2006 Dobler D13/133
D546,290 S * 7/2007 Yamada D13/147
D692,829 S * 11/2013 Dobler D13/133
D693,304 S * 11/2013 Dobler D13/133

* cited by examiner

Primary Examiner — Daniel Bui
(74) *Attorney, Agent, or Firm* — The Webb Law Firm

(57) **CLAIM**
The ornamental design for a cable connector, as shown and described.

DESCRIPTION

FIG. 1 is a front, top, and right side perspective view of a cable connector showing my new design;
FIG. 2 is a front elevation view thereof;
FIG. 3 is a rear elevation view thereof;
FIG. 4 is a left side elevation view thereof;
FIG. 5 is a right side elevation view thereof;
FIG. 6 is a top plan view thereof;
FIG. 7 is a bottom plan view thereof; and,
FIG. 8 is a front, top, and right side perspective view thereof, in use condition.
The broken line shown in FIG. 8 is included for the purpose of illustrate unclaimed environment only, and forms no parts of the claimed design.

1 Claim, 5 Drawing Sheets

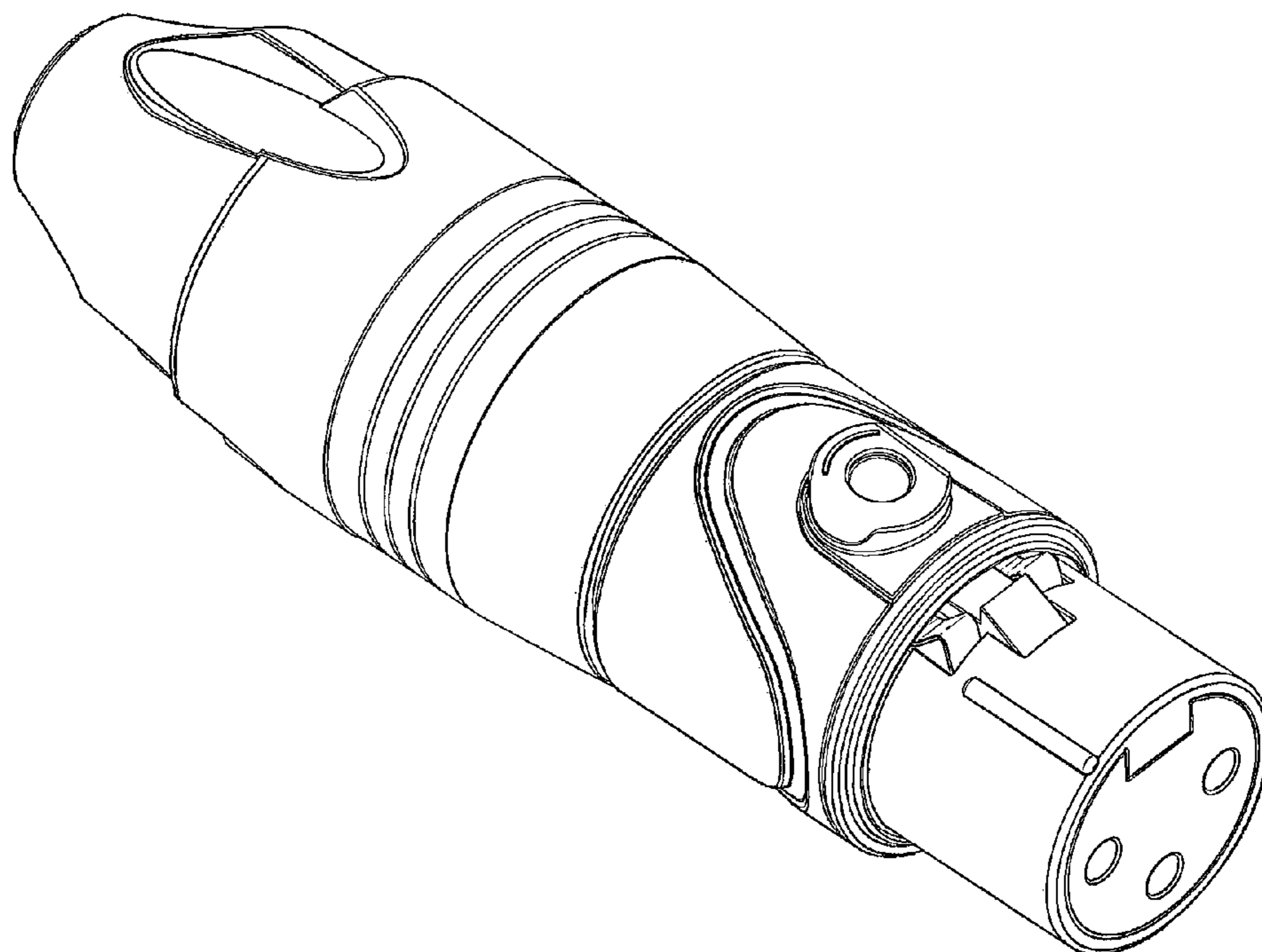


FIG. 1

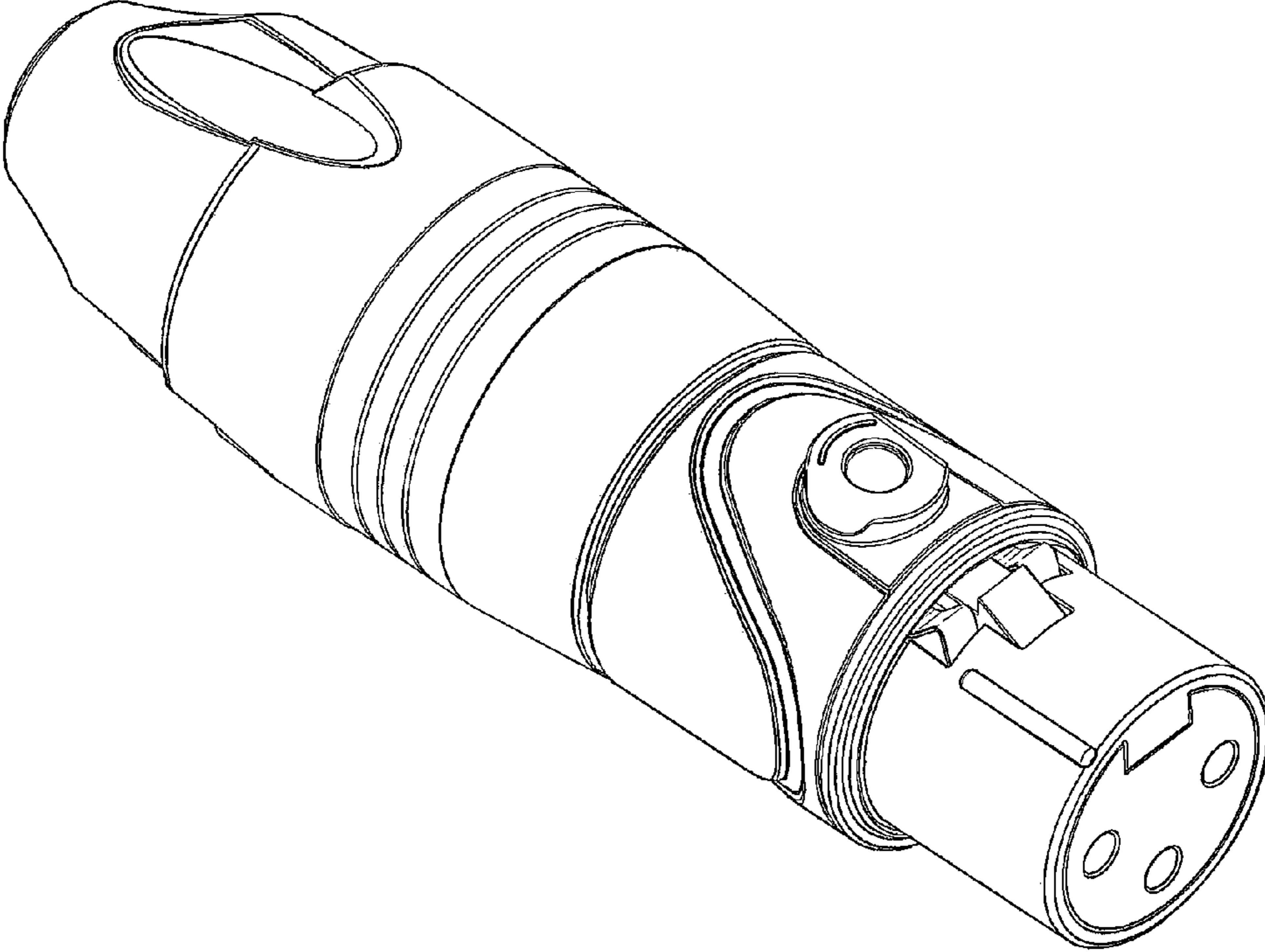


FIG. 2

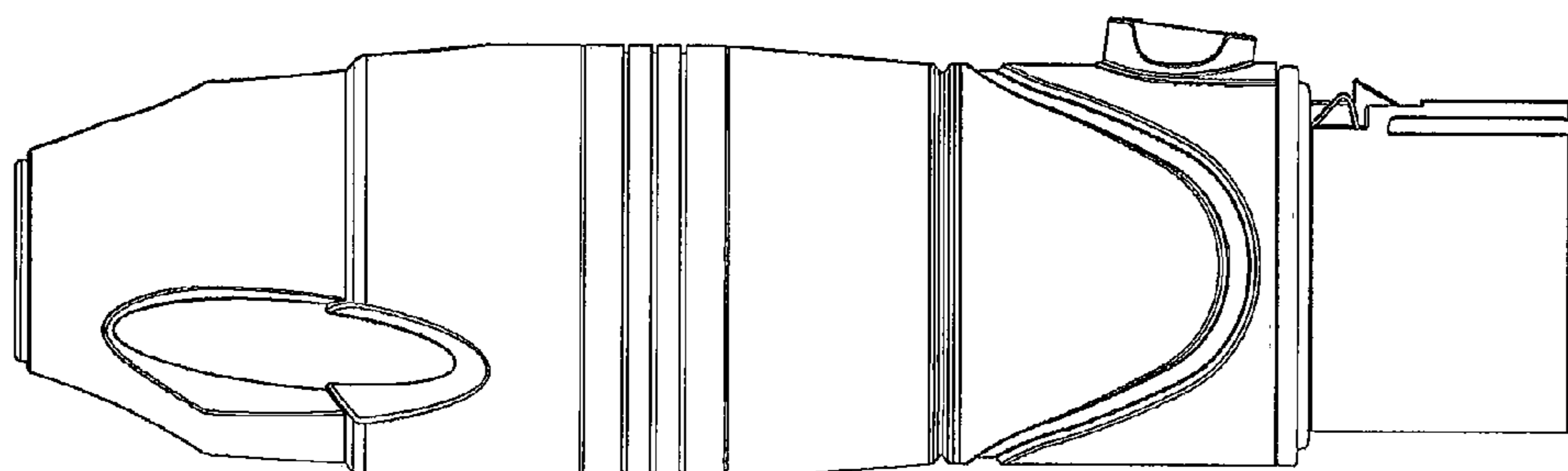


FIG. 3

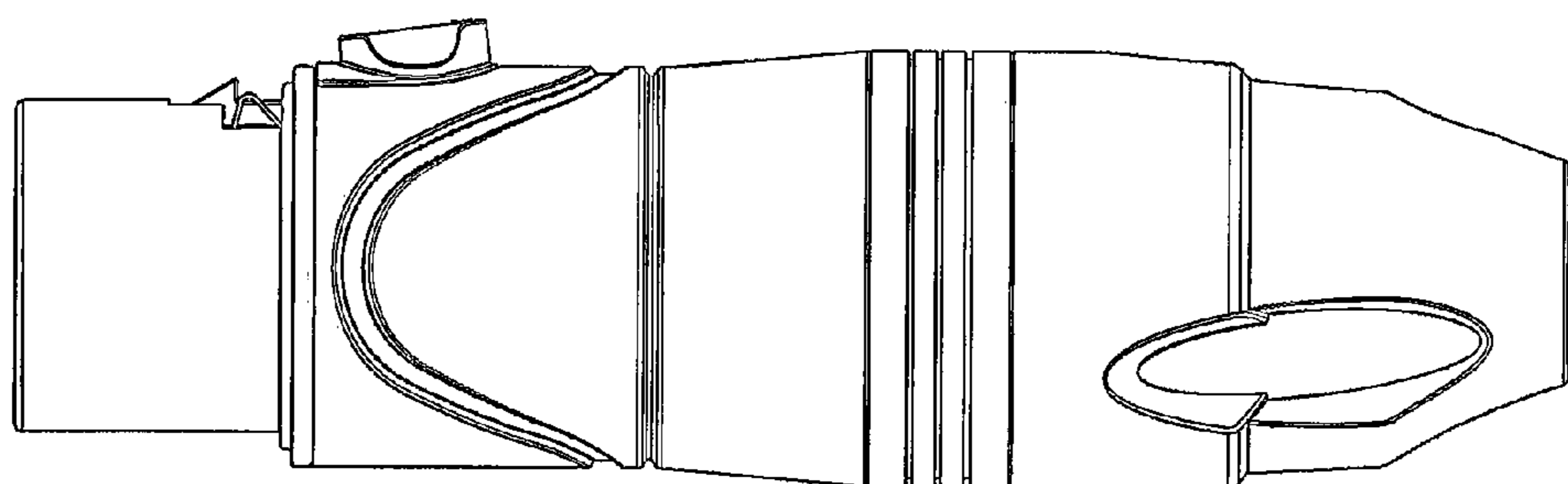


FIG. 4

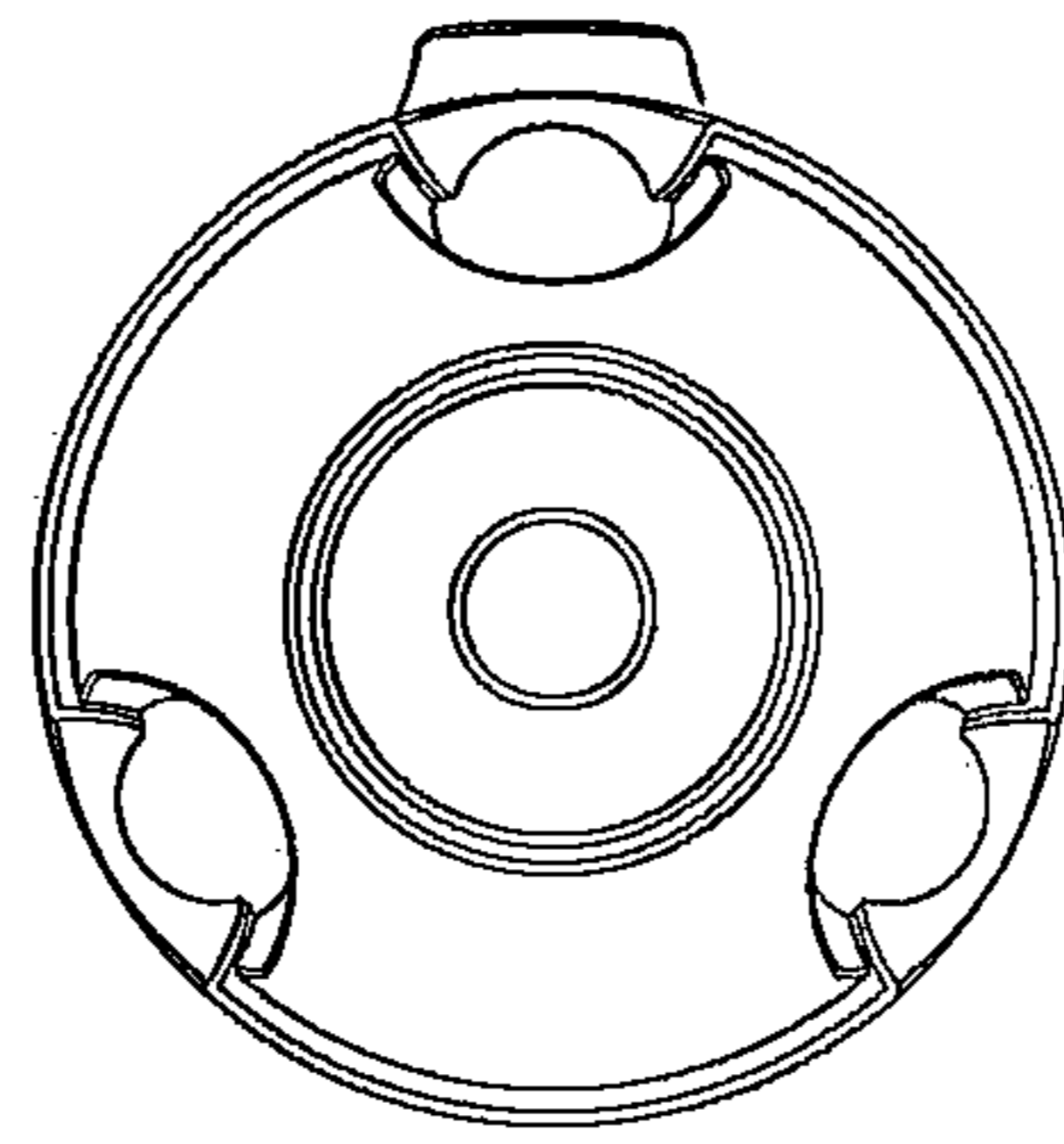


FIG. 5

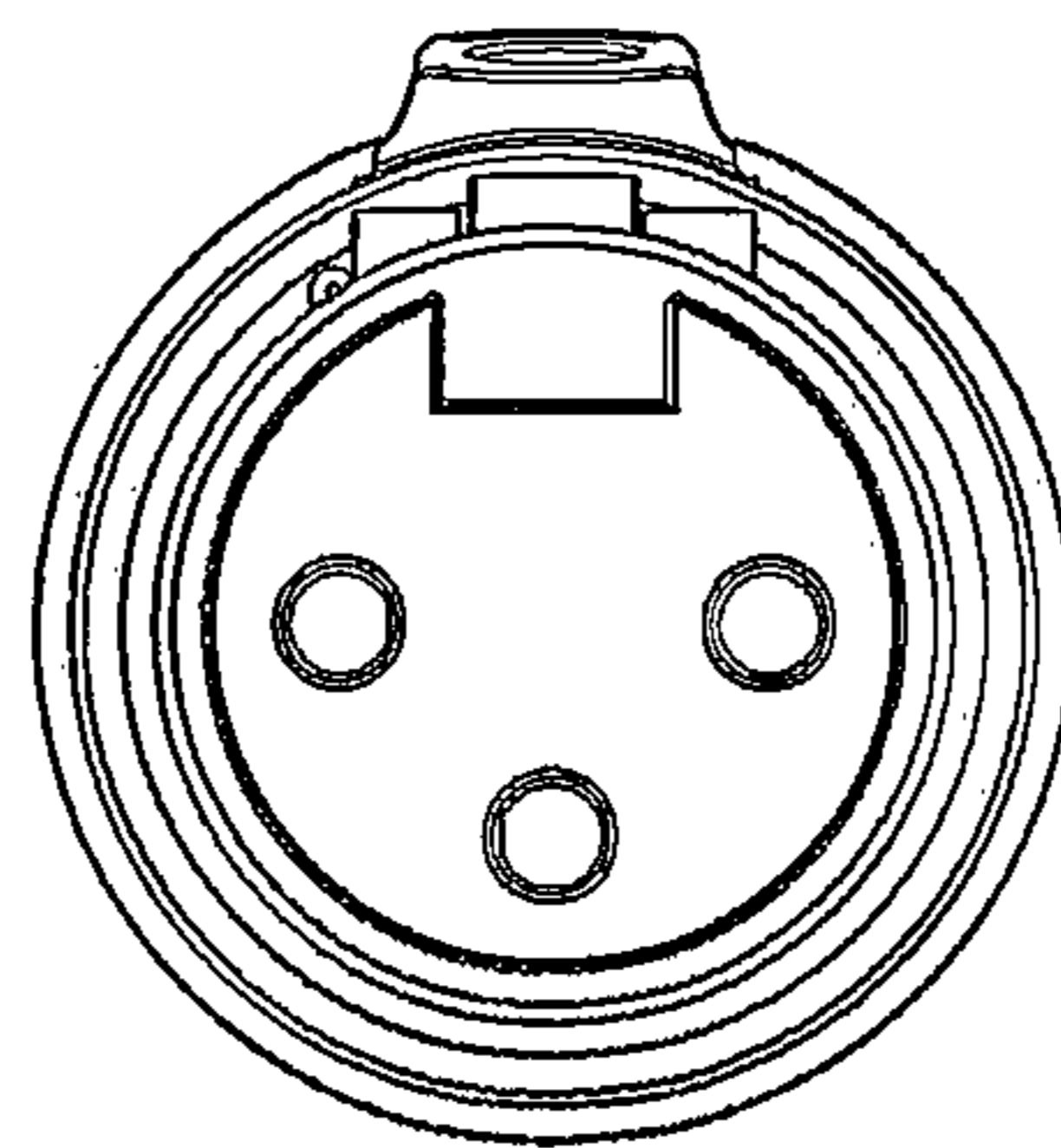


FIG. 6

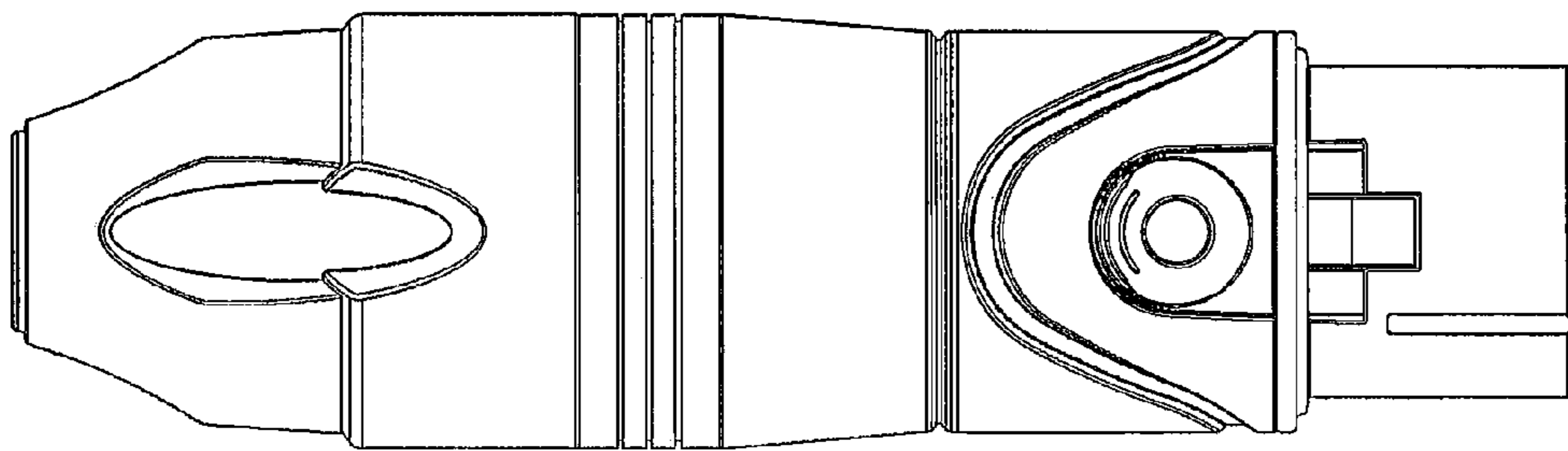


FIG. 7

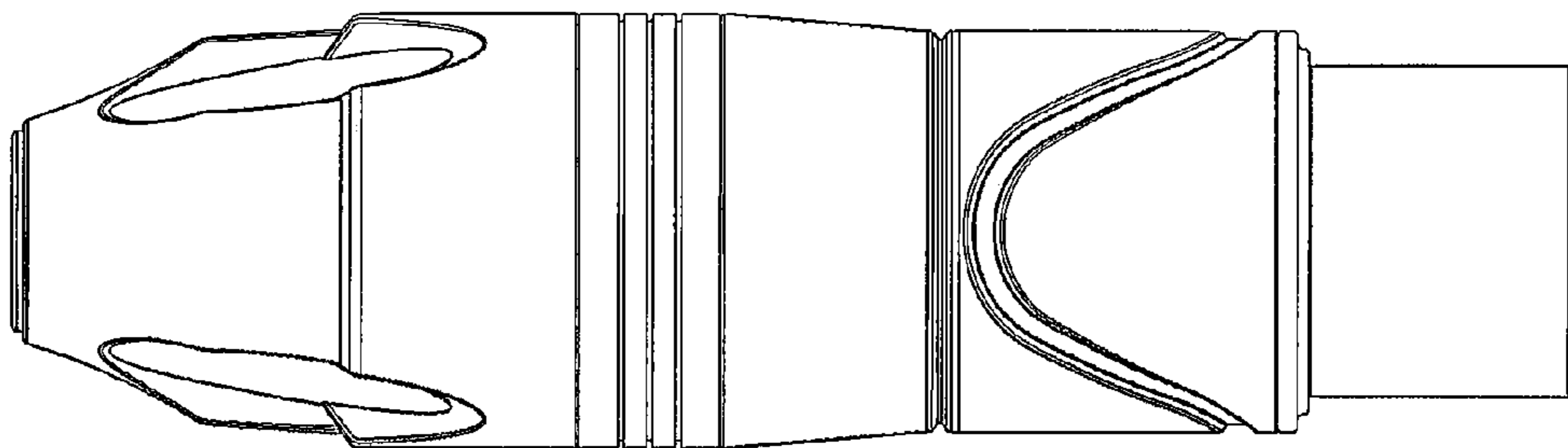


FIG. 8

