



US00D715226S

(12) **United States Design Patent**
Rostami

(10) **Patent No.:** **US D715,226 S**

(45) **Date of Patent:** **** *Oct. 14, 2014**

(54) **POWER CONNECTOR**

(71) Applicant: **Ramin Rostami**, Calabasas, CA (US)

(72) Inventor: **Ramin Rostami**, Calabasas, CA (US)

(*) Notice: This patent is subject to a terminal disclaimer.

(**) Term: **14 Years**

(21) Appl. No.: **29/433,306**

(22) Filed: **Sep. 27, 2012**

(51) **LOC (10) Cl.** **13-03**

(52) **U.S. Cl.**
USPC **D13/144**

(58) **Field of Classification Search**
USPC D13/146-147, 154, 184, 199; 439/180, 439/246, 252, 278, 374, 378, 379, 380, 381, 439/527, 529, 530, 533, 607.1, 607.2, 439/607.3, 607.4, 607.45, 607.49, 607.58, 439/660, 668, 680, 892, 899
See application file for complete search history.

(56) **References Cited**

U.S. PATENT DOCUMENTS

D372,024 S * 7/1996 Carlson et al. D14/432
D385,254 S * 10/1997 Owusu D13/133

D408,357 S * 4/1999 Kichise D13/146
D410,433 S * 6/1999 Goto D13/147
D415,143 S * 10/1999 Roberts D13/146
D415,144 S * 10/1999 Roberts D13/147
D573,095 S * 7/2008 Poupore et al. D13/133
D610,087 S * 2/2010 Johnson D13/110
D621,507 S * 8/2010 Romero D24/144
D702,183 S * 4/2014 Benedict et al. D13/110

* cited by examiner

Primary Examiner — Daniel Bui

(74) *Attorney, Agent, or Firm* — Merle W. Richman, Esq.

(57) **CLAIM**

The ornamental design for a power connector, substantially as shown and described.

DESCRIPTION

FIG. 1 is a perspective, top view of the power connector showing our new design;

FIG. 2 is a left side view thereof, the right side a mirror image thereof;

FIG. 3 is a top side view thereof, the bottom side a mirror image thereof;

FIG. 4 is a front view thereof; and,

FIG. 5 is a back view thereof.

The broken lines in the Figures are for illustrative purposes only and form no part of the claimed design.

1 Claim, 3 Drawing Sheets

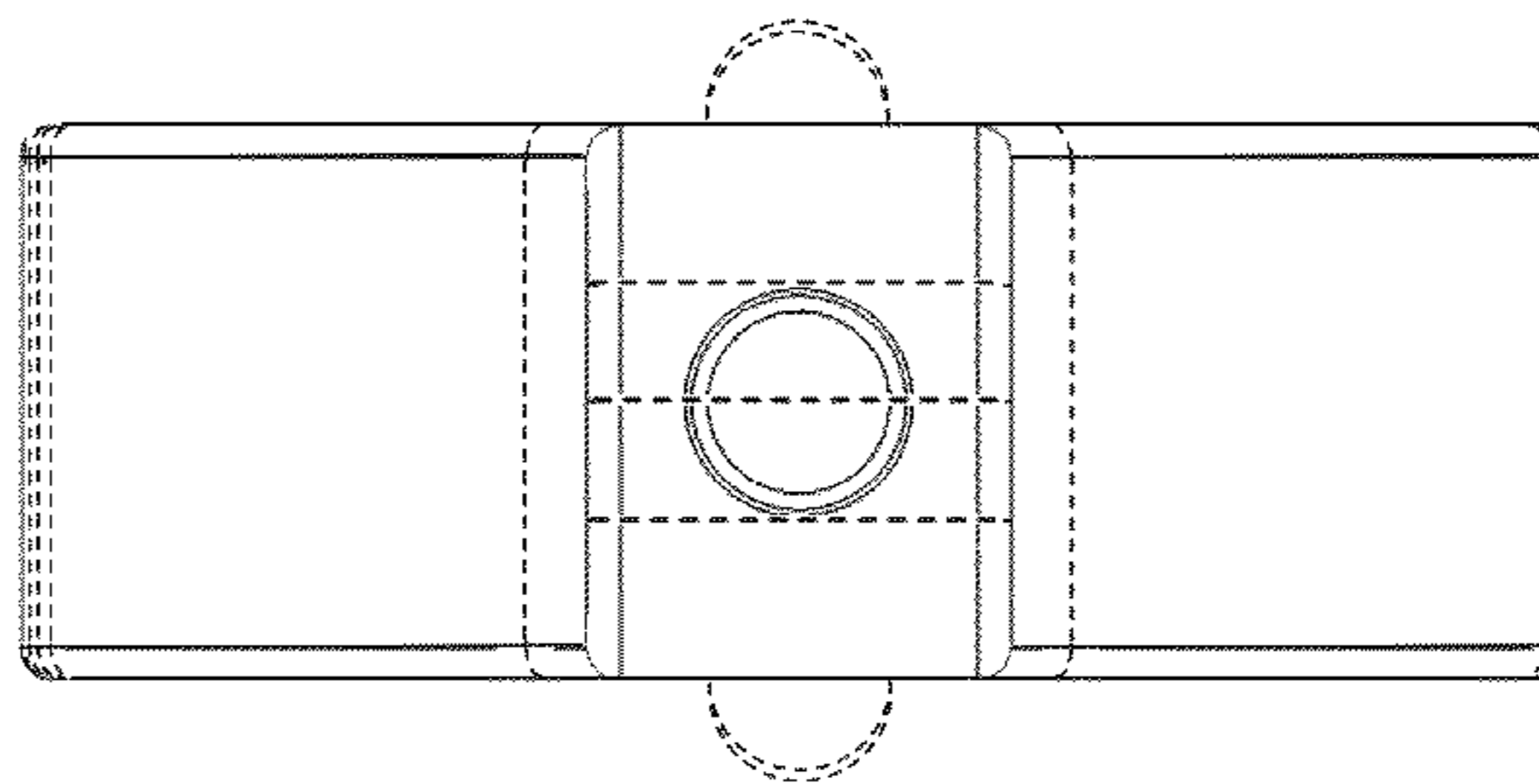
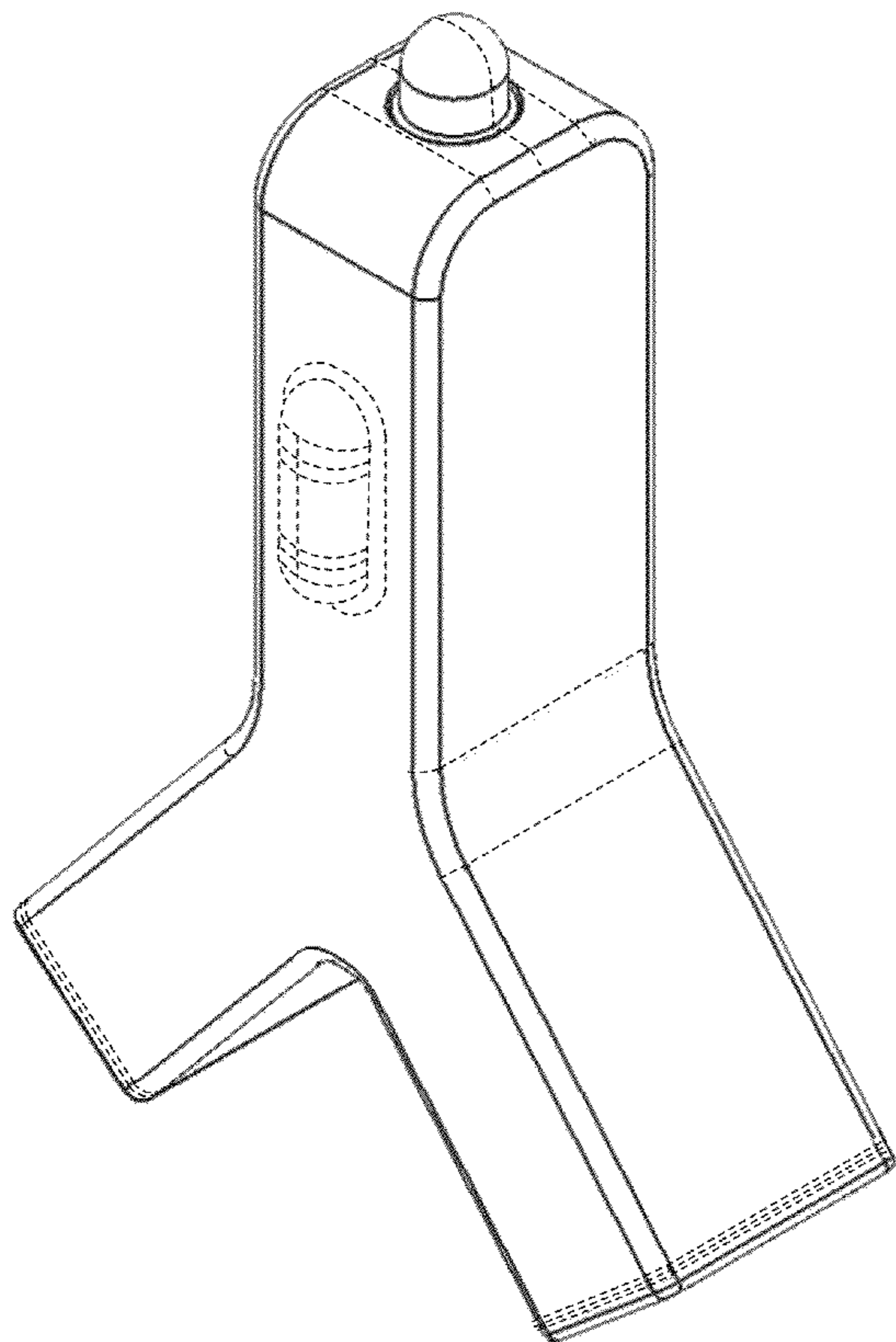


FIG. 1

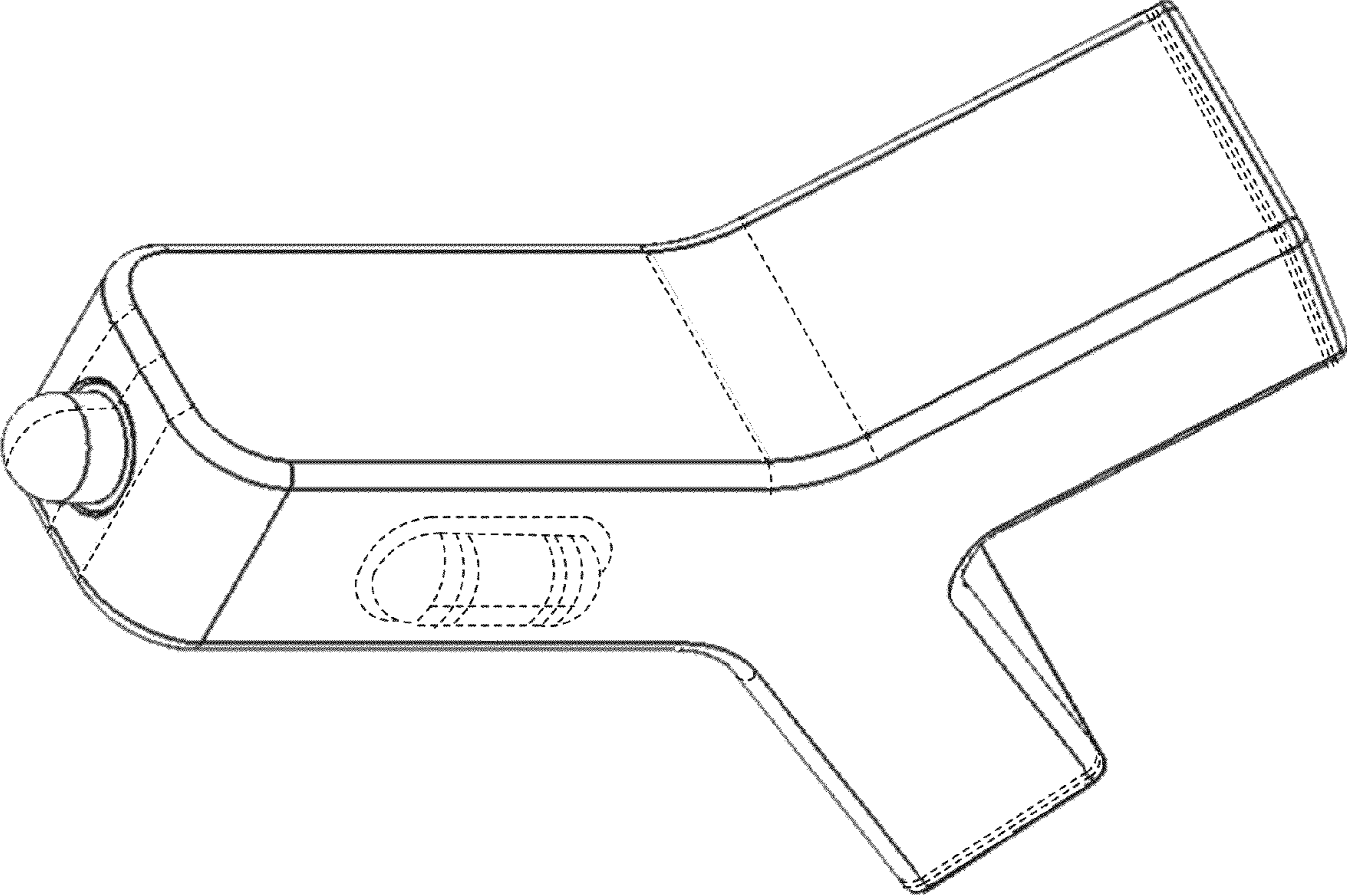


FIG. 2

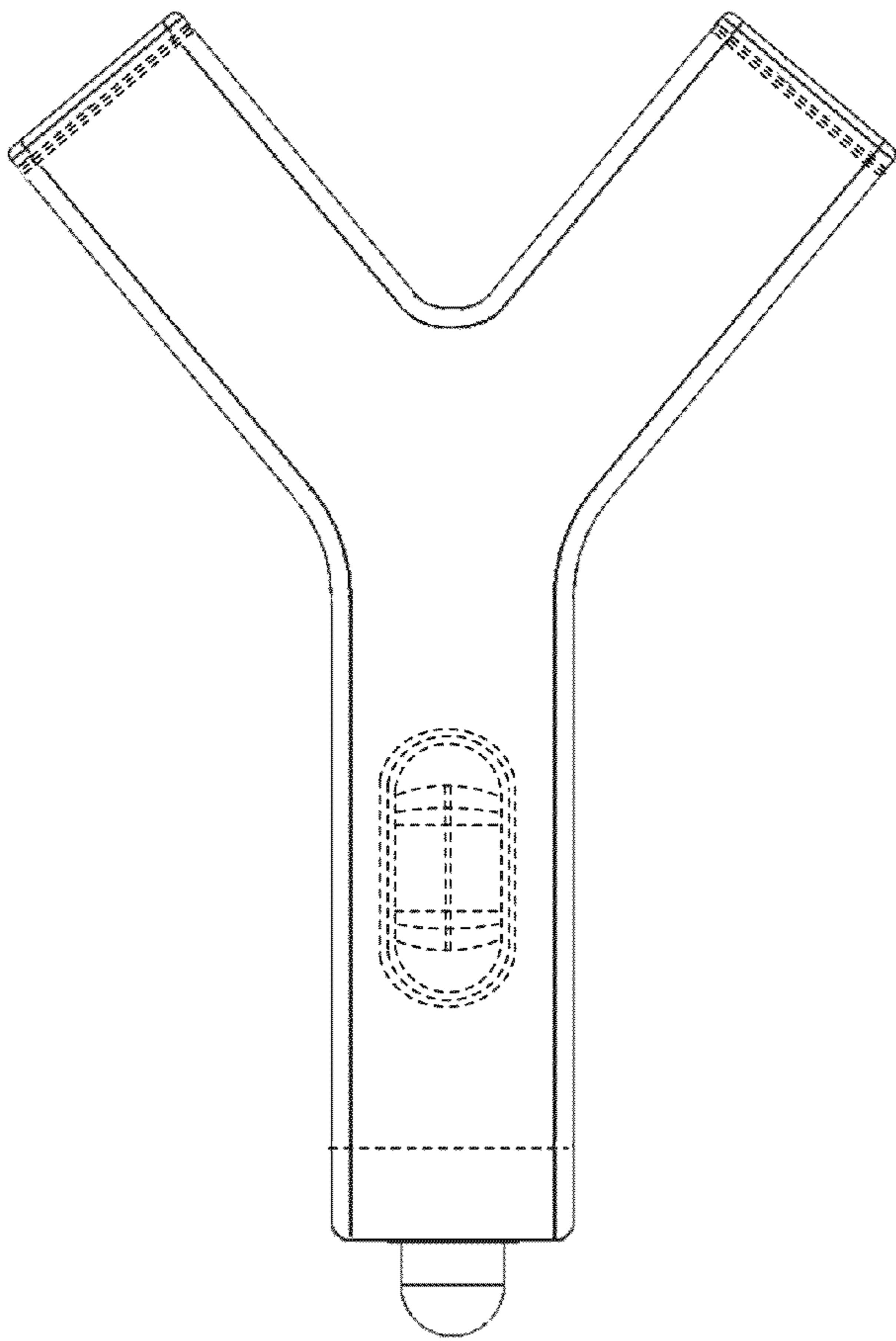


FIG. 3

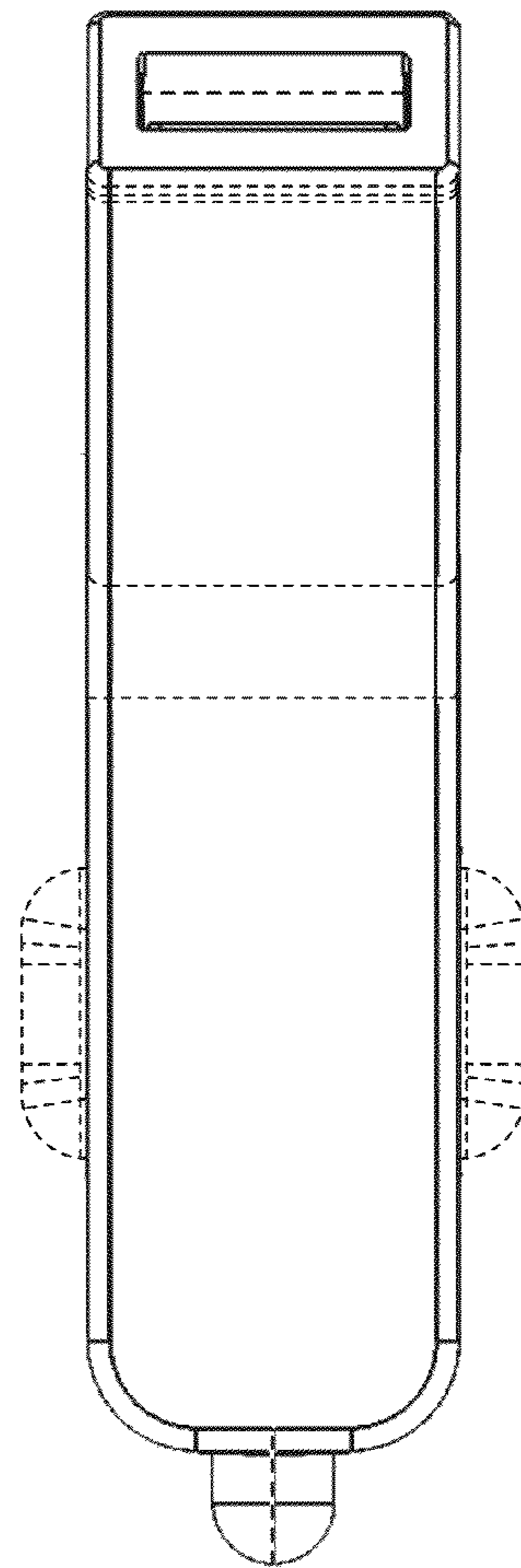


FIG. 4

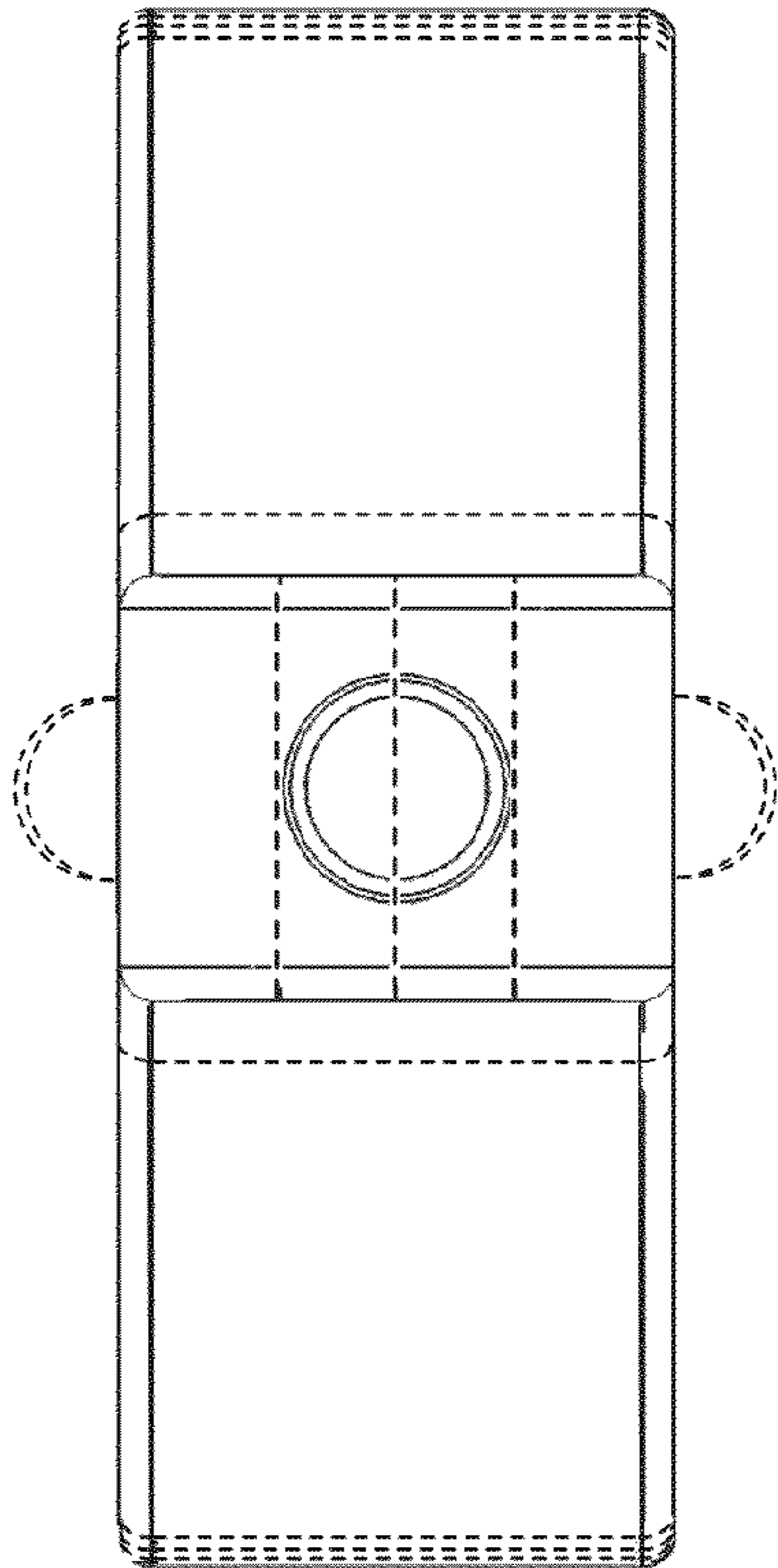


FIG. 5

