



US00D715225S

(12) **United States Design Patent**  
**Mininger et al.**

(10) **Patent No.:** **US D715,225 S**

(45) **Date of Patent:** **\*\* \*Oct. 14, 2014**

(54) **ELECTRICAL POWER HOUSING WITH USB CONNECTIONS**

(71) Applicants: **Staci A. Mininger**, Garland, TX (US);  
**Timothy W. Terleski**, Richardson, TX (US)

(72) Inventors: **Staci A. Mininger**, Garland, TX (US);  
**Timothy W. Terleski**, Richardson, TX (US)

(73) Assignee: **TXS Industrial Design, Inc.**,  
Richardson, TX (US)

(\*) Notice: This patent is subject to a terminal disclaimer.

(\*\*) Term: **14 Years**

(21) Appl. No.: **29/436,756**

(22) Filed: **Nov. 8, 2012**

(51) **LOC (10) Cl.** ..... **13-03**

(52) **U.S. Cl.**  
USPC ..... **D13/139.4**

(58) **Field of Classification Search**  
USPC ..... 174/66, 37-38; 200/5 R, 5 A, 1 B;  
338/201, 202; 361/641, 622, 602, 627,  
361/644, 660, 679.05, 118; 439/620.2  
See application file for complete search history.

(56) **References Cited**

U.S. PATENT DOCUMENTS

D305,641 S \* 1/1990 DeLuca ..... D13/137.3  
D315,718 S \* 3/1991 Luu ..... D13/137.3  
D364,379 S \* 11/1995 Pogue et al. .... D13/160

D486,126 S \* 2/2004 Aromin ..... D13/137.2  
D486,792 S \* 2/2004 Stoughton ..... D13/137.2  
D636,728 S \* 4/2011 Terleski et al. .... D13/139.4  
D673,912 S \* 1/2013 Benedetti ..... D13/137.2  
D682,214 S \* 5/2013 Miller ..... D13/139.8

\* cited by examiner

*Primary Examiner* — Robert M Spear

*Assistant Examiner* — Rhea Shields

(74) *Attorney, Agent, or Firm* — Carter Scholer Amett  
Hamada & Mockler

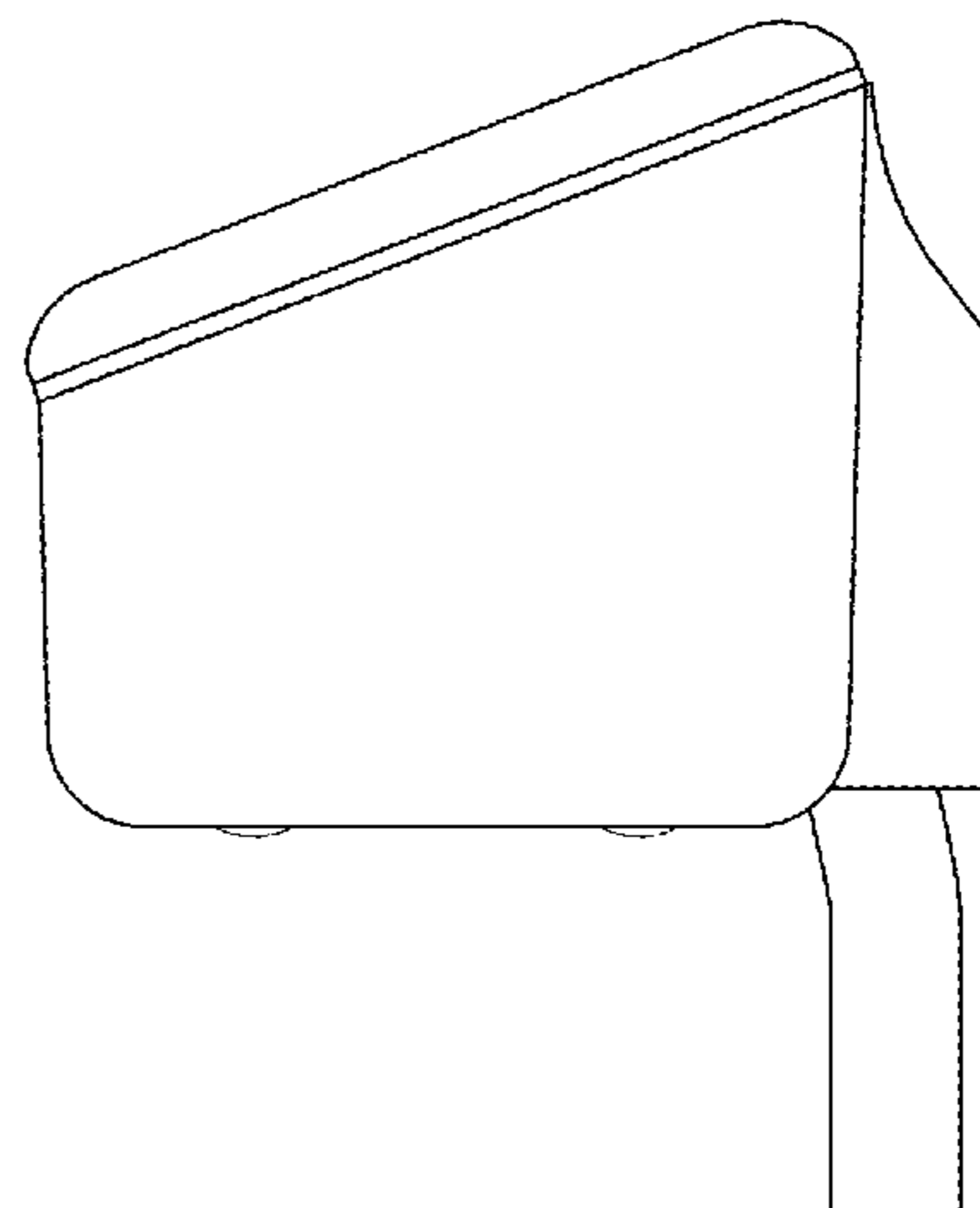
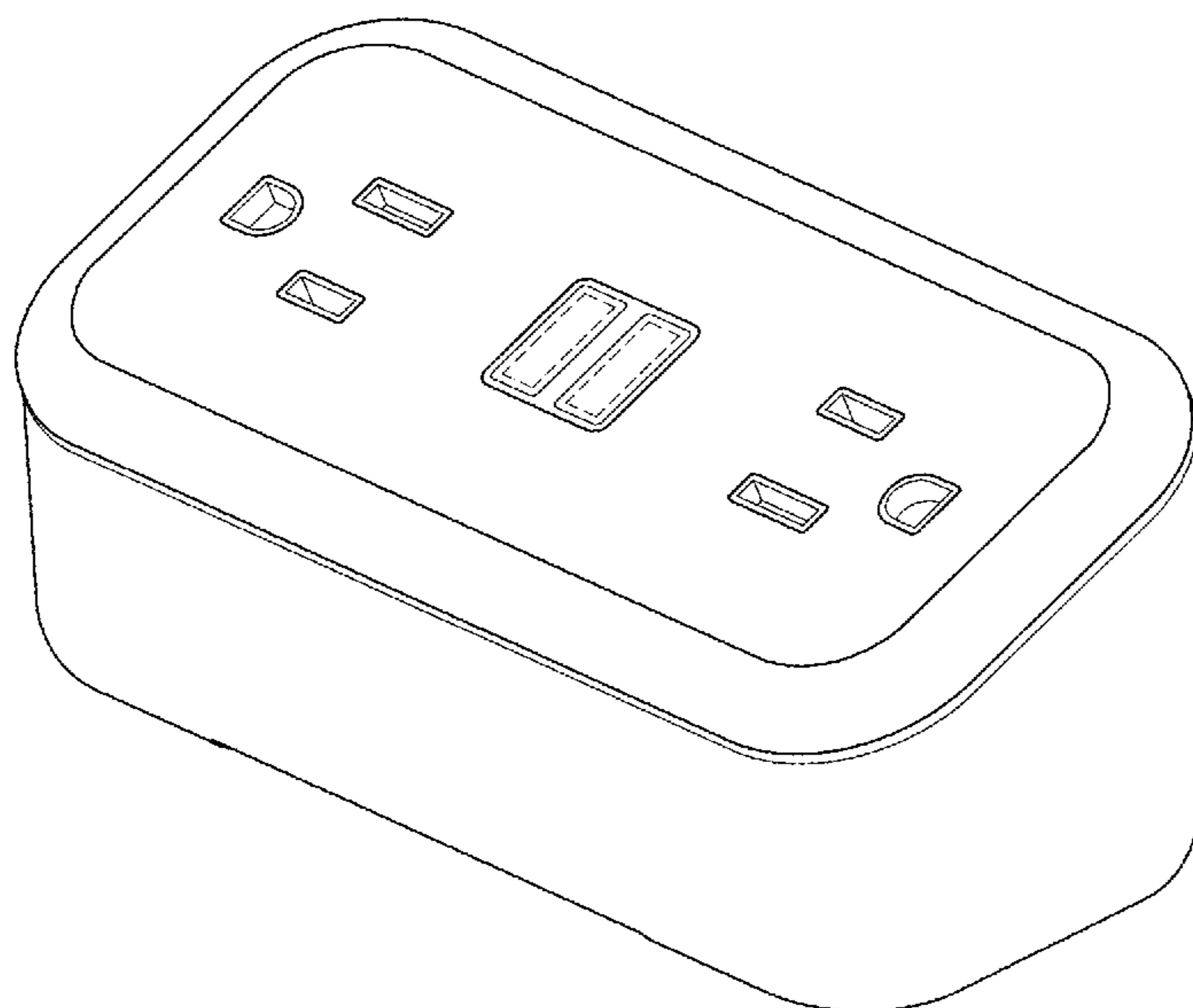
(57) **CLAIM**

The ornamental design for an electrical power housing with USB connections, as shown.

**DESCRIPTION**

FIG. 1 is a perspective view of a new, original and ornamental design for an electrical power housing with USB connections in accordance with the present disclosure; FIG. 2 is a front elevation view of the electrical power housing with USB connections shown in FIG. 1; FIG. 3 is a right side elevation view of the electrical power housing with USB connections shown in FIG. 1; FIG. 4 is a left side elevation view of the electrical power housing with USB connections shown in FIG. 1; FIG. 5 is a rear elevation view of the electrical power housing with USB connections shown in FIG. 1; FIG. 6 is a top plan view of the electrical power housing with USB connections shown in FIG. 1; and, FIG. 7 is a bottom plan view of the electrical power housing with USB connections shown in FIG. 1. The indicia shown by broken lines represent unclaimed portions of the design.

**1 Claim, 3 Drawing Sheets**



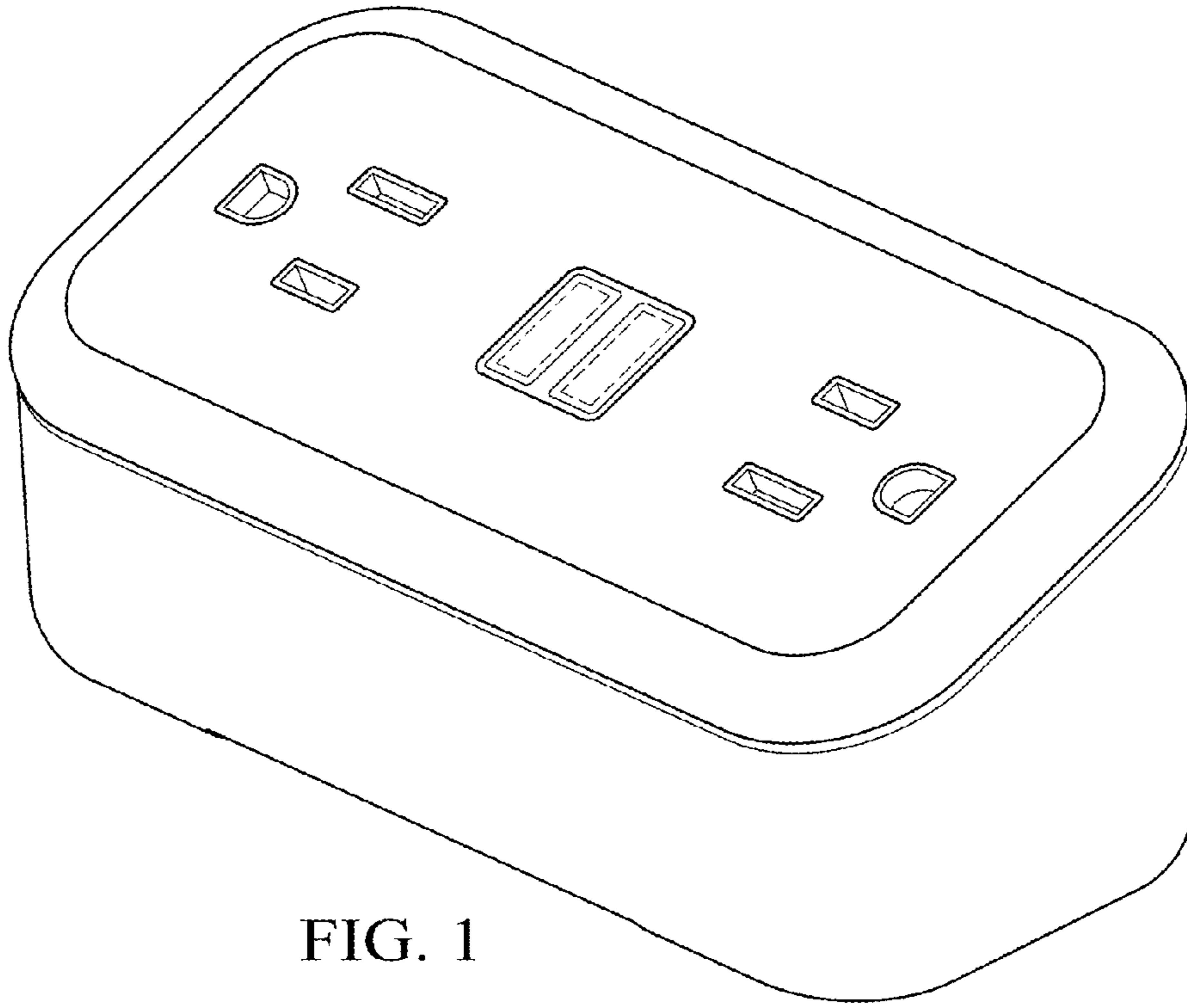


FIG. 1

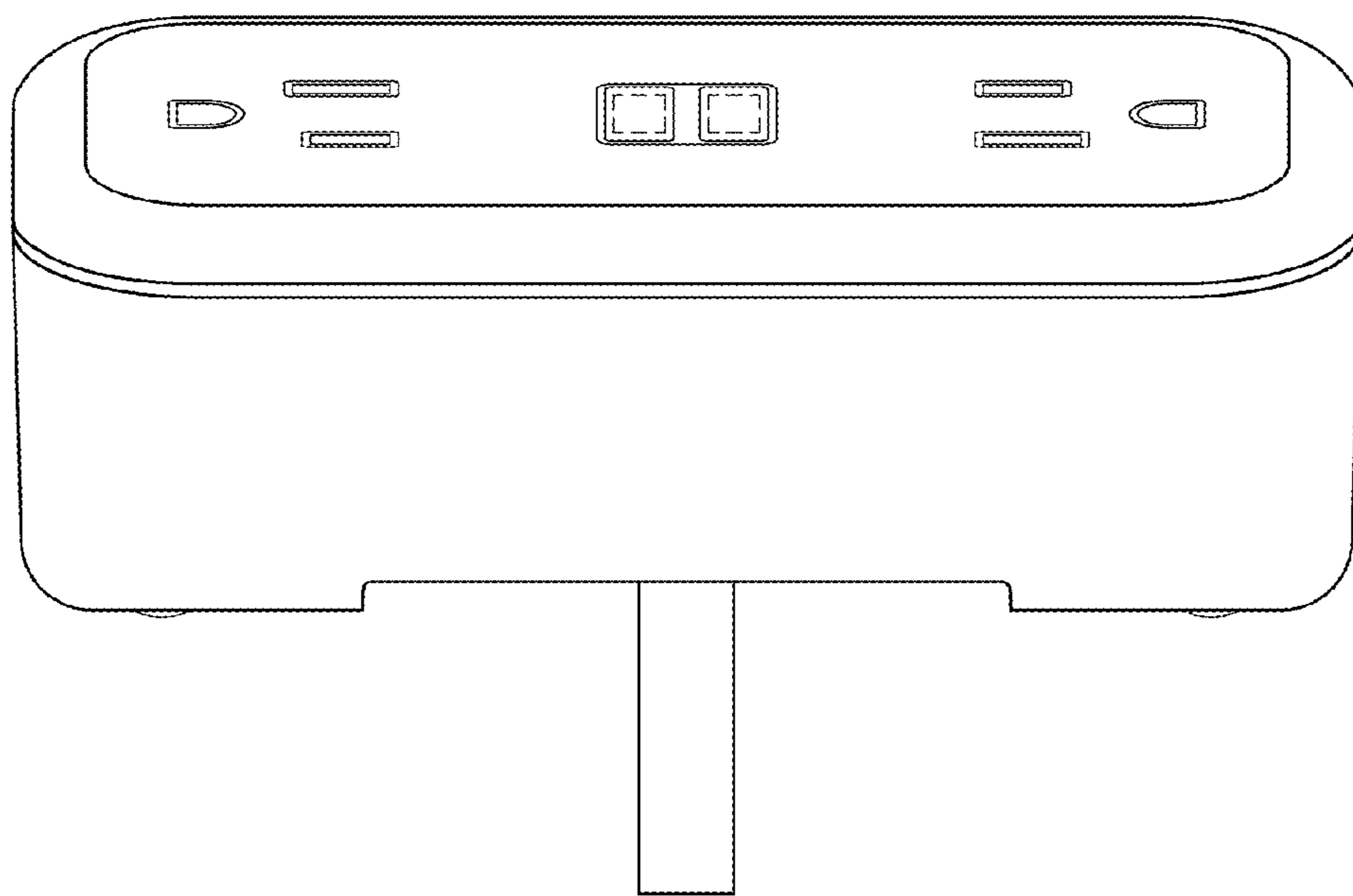


FIG. 2

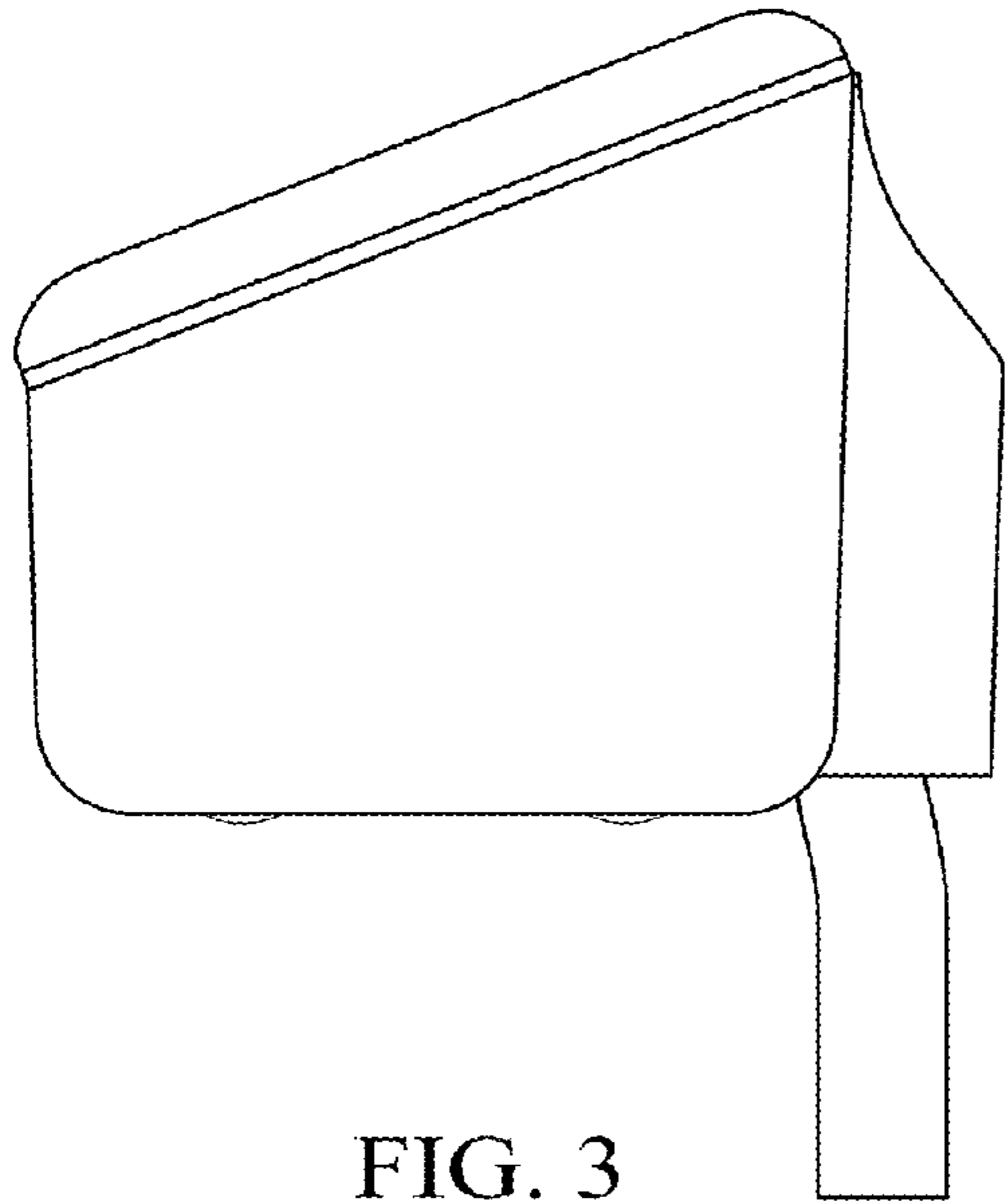


FIG. 3

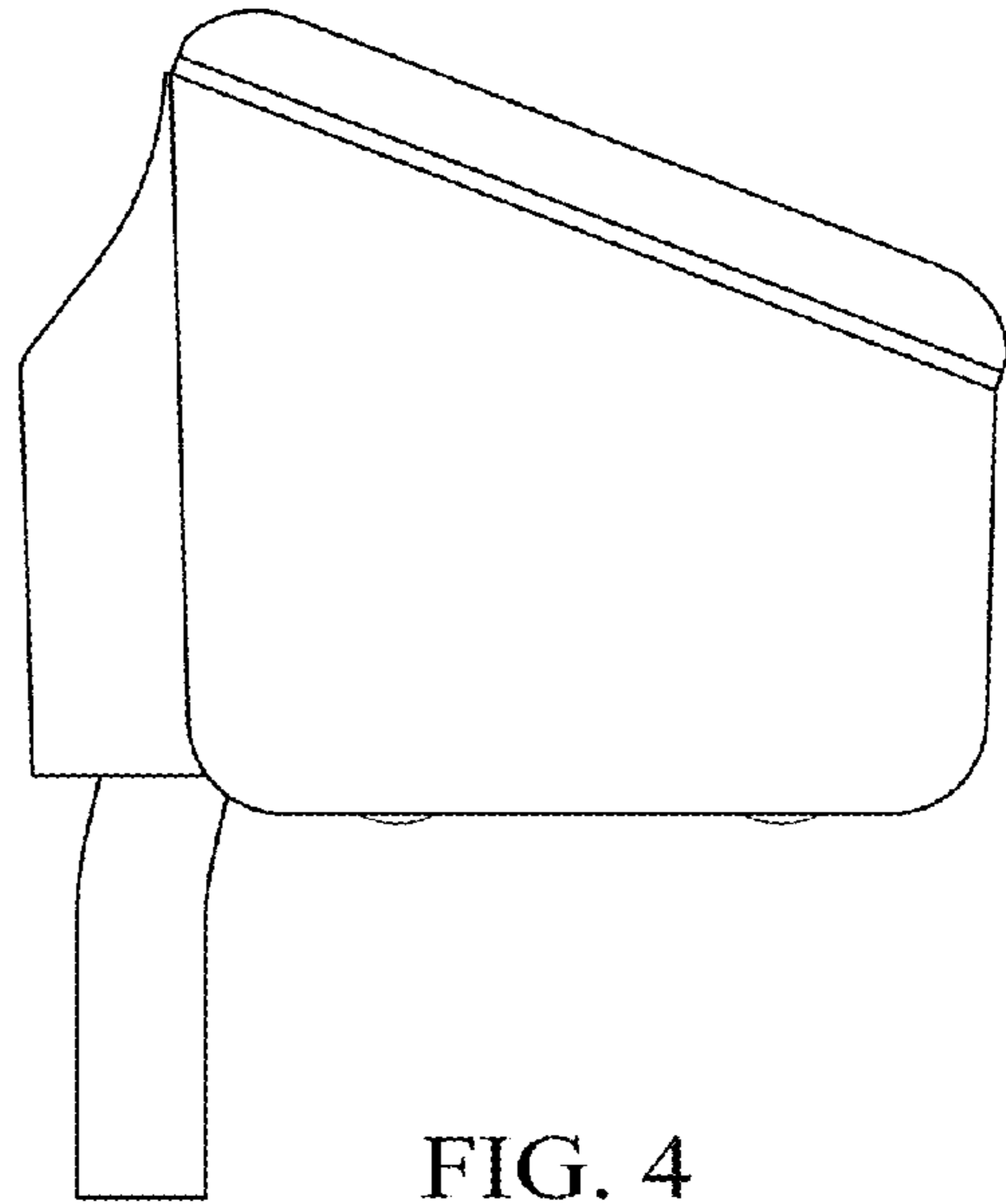


FIG. 4

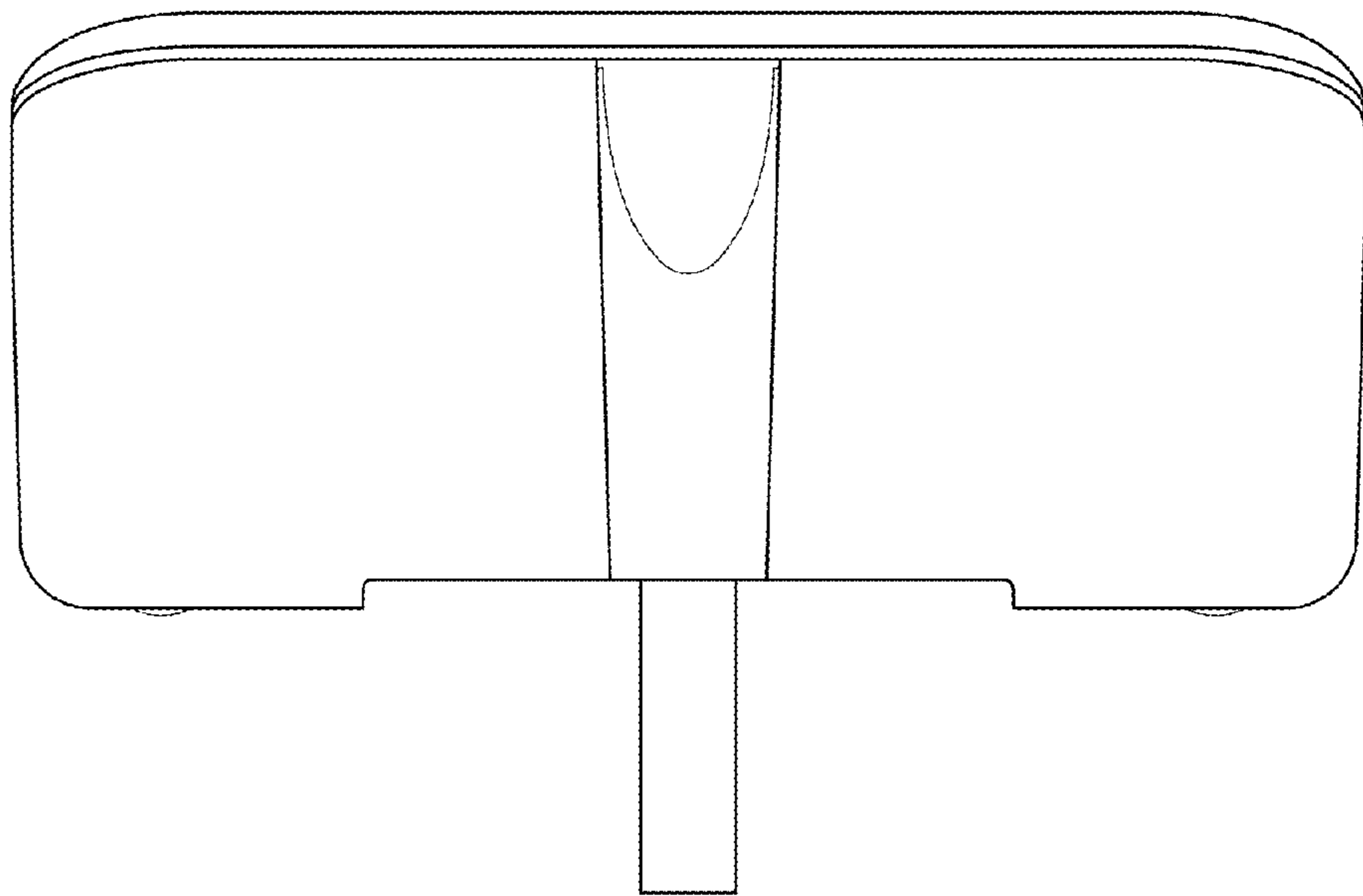


FIG. 5

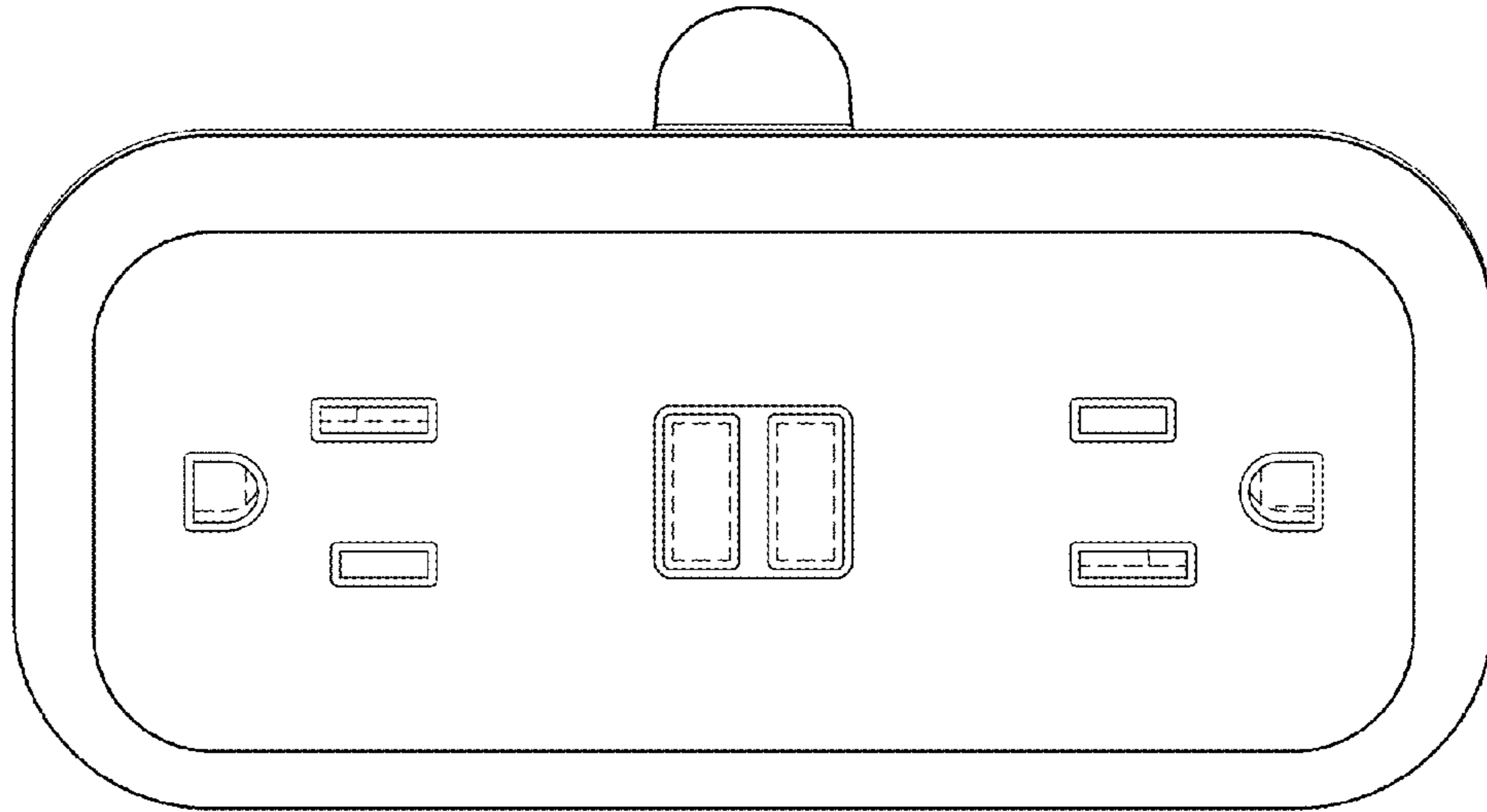


FIG. 6

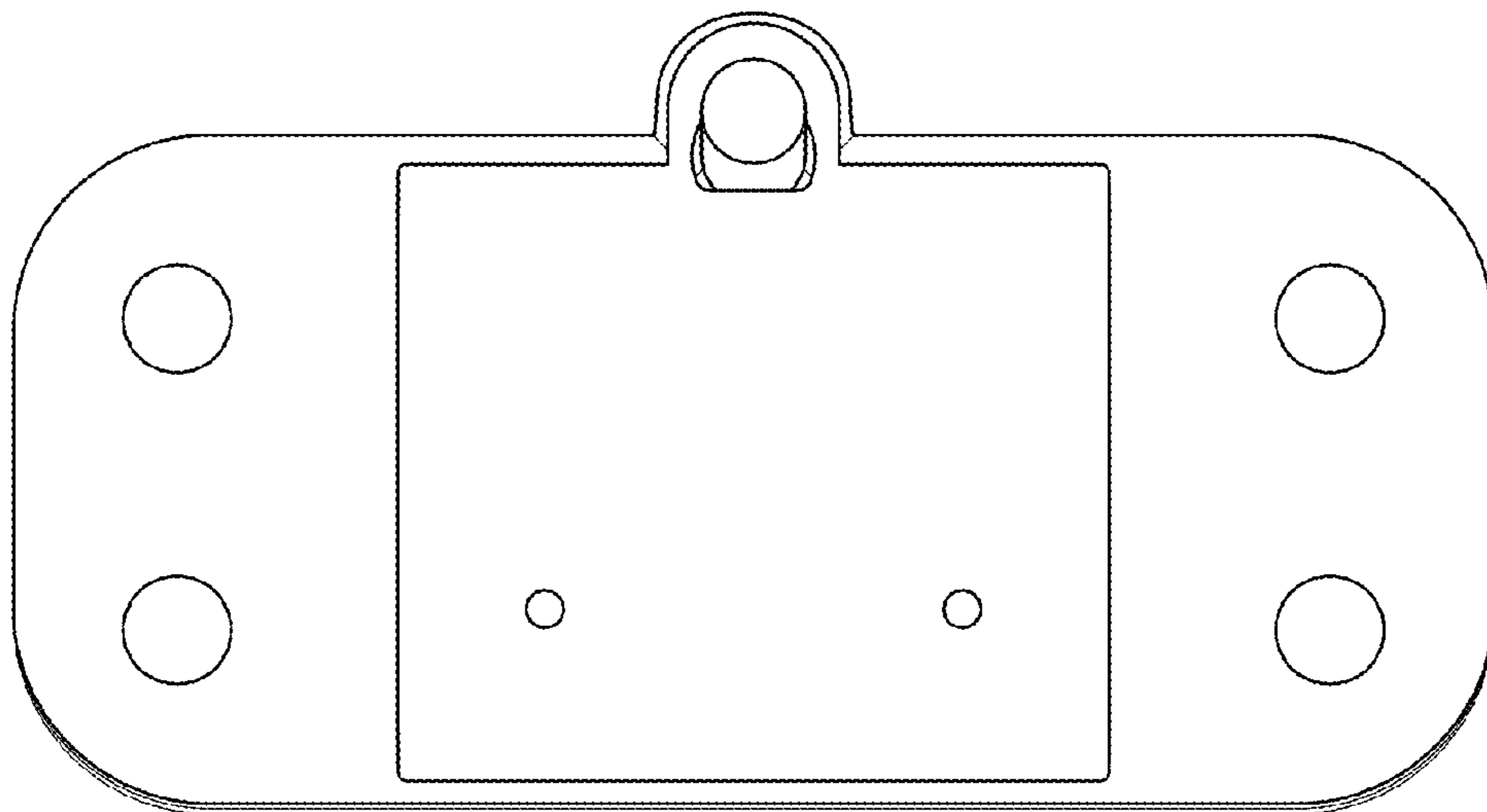


FIG. 7