



US00D715222S

(12) **United States Design Patent**
Saillard et al.

(10) **Patent No.:** **US D715,222 S**
(45) **Date of Patent:** **** Oct. 14, 2014**

(54) **ELECTRIC MOTOR**

(75) Inventors: **Laurent Saillard**, Pouilley (FR); **Jean Ducret**, Valay (FR)

(73) Assignee: **SIMU**, Gray (FR)

(**) Term: **14 Years**

(21) Appl. No.: **29/429,197**

(22) Filed: **Aug. 8, 2012**

(30) **Foreign Application Priority Data**

Feb. 8, 2012 (WO) DM/077 652

(51) **LOC (10) Cl.** **13-01**

(52) **U.S. Cl.**
USPC **D13/112**

(58) **Field of Classification Search**
USPC D13/112, 114, 122, 199; 49/140;
310/12, 13, 15, 29, 37, 40 R, 89;
318/9-15

See application file for complete search history.

(56) **References Cited**

U.S. PATENT DOCUMENTS

6,700,269 B2 * 3/2004 Torii et al. 310/154.08
6,858,957 B2 * 2/2005 Ortt et al. 310/89

D553,079 S * 10/2007 Poulet et al. D13/112
D577,669 S * 9/2008 Hornberger D13/112
8,307,533 B2 * 11/2012 Bhatti et al. 29/596
2011/0115322 A1 * 5/2011 Yu et al. 310/89

* cited by examiner

Primary Examiner — Derrick Holland

Assistant Examiner — Lauren Calve

(74) *Attorney, Agent, or Firm* — Frommer Lawrence & Haug LLP; Ronald R. Santucci

(57) **CLAIM**

The ornamental design for an electric motor, as shown and described.

DESCRIPTION

FIG. 1 is a front view of an electric motor according to our invention;

FIG. 2 is a top plan view thereof;

FIG. 3 is a bottom plan view thereof;

FIG. 4 is a right side view thereof;

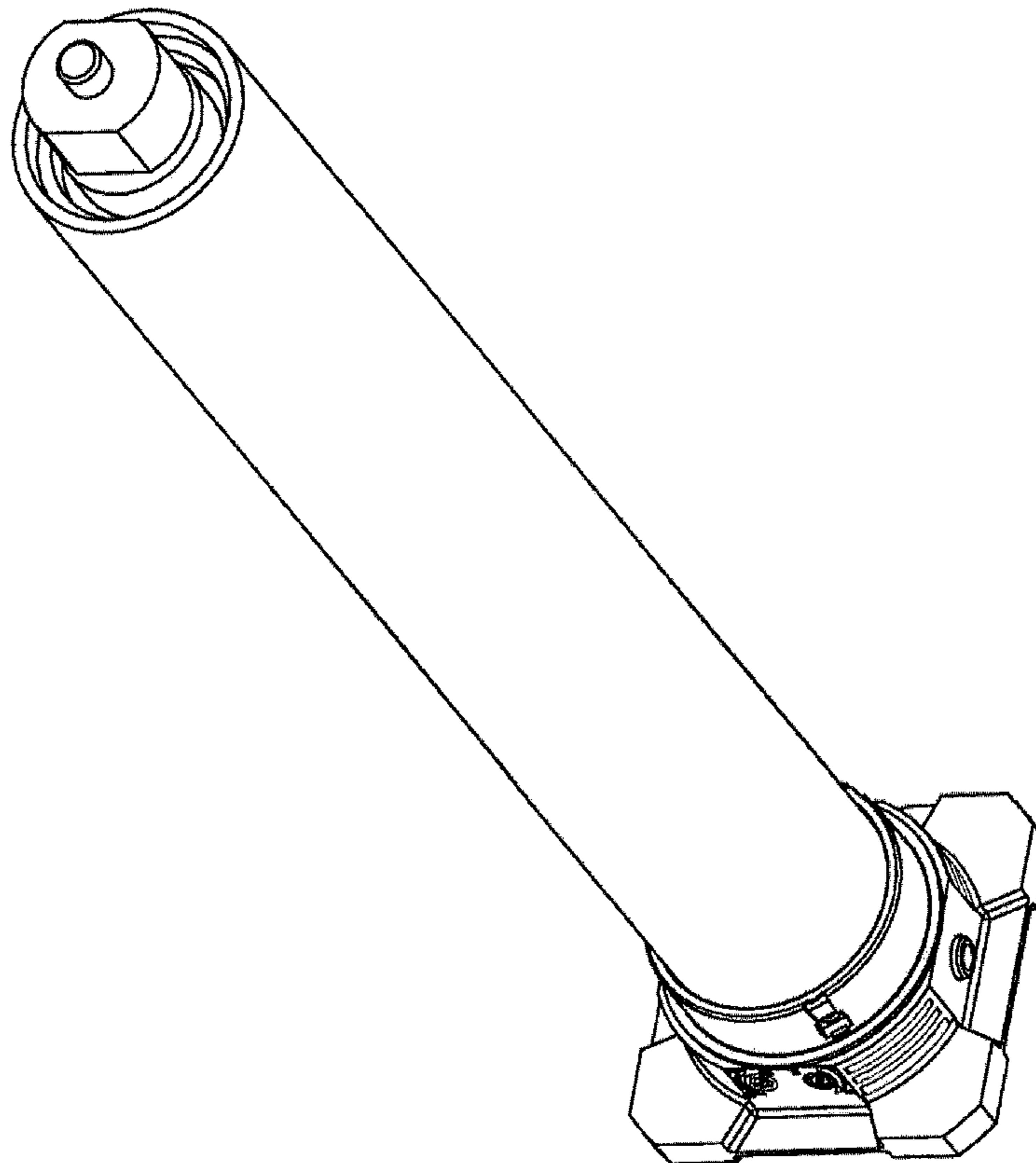
FIG. 5 is a left side view thereof;

FIG. 6 is a rear view thereof; and,

FIG. 7 is a perspective view thereof.

The broken lines shown represent unclaimed subject matter and form no part of the claimed design.

1 Claim, 6 Drawing Sheets



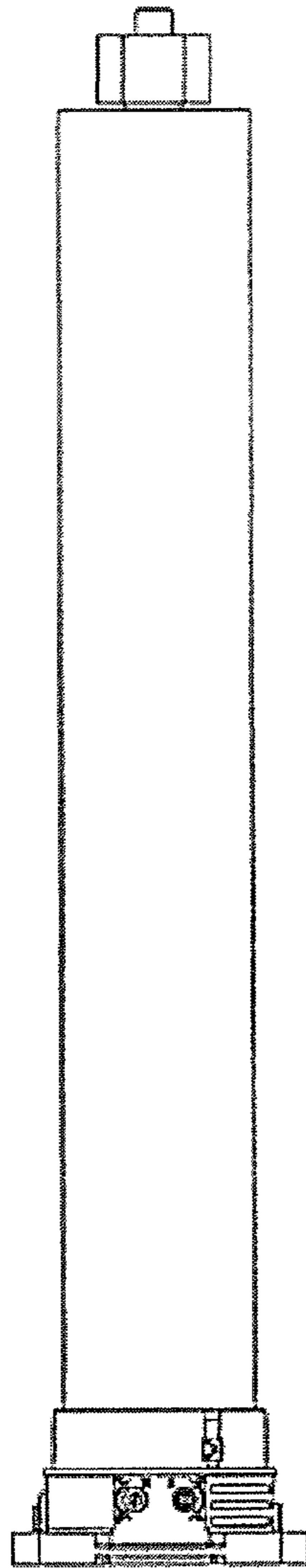


FIG. 1

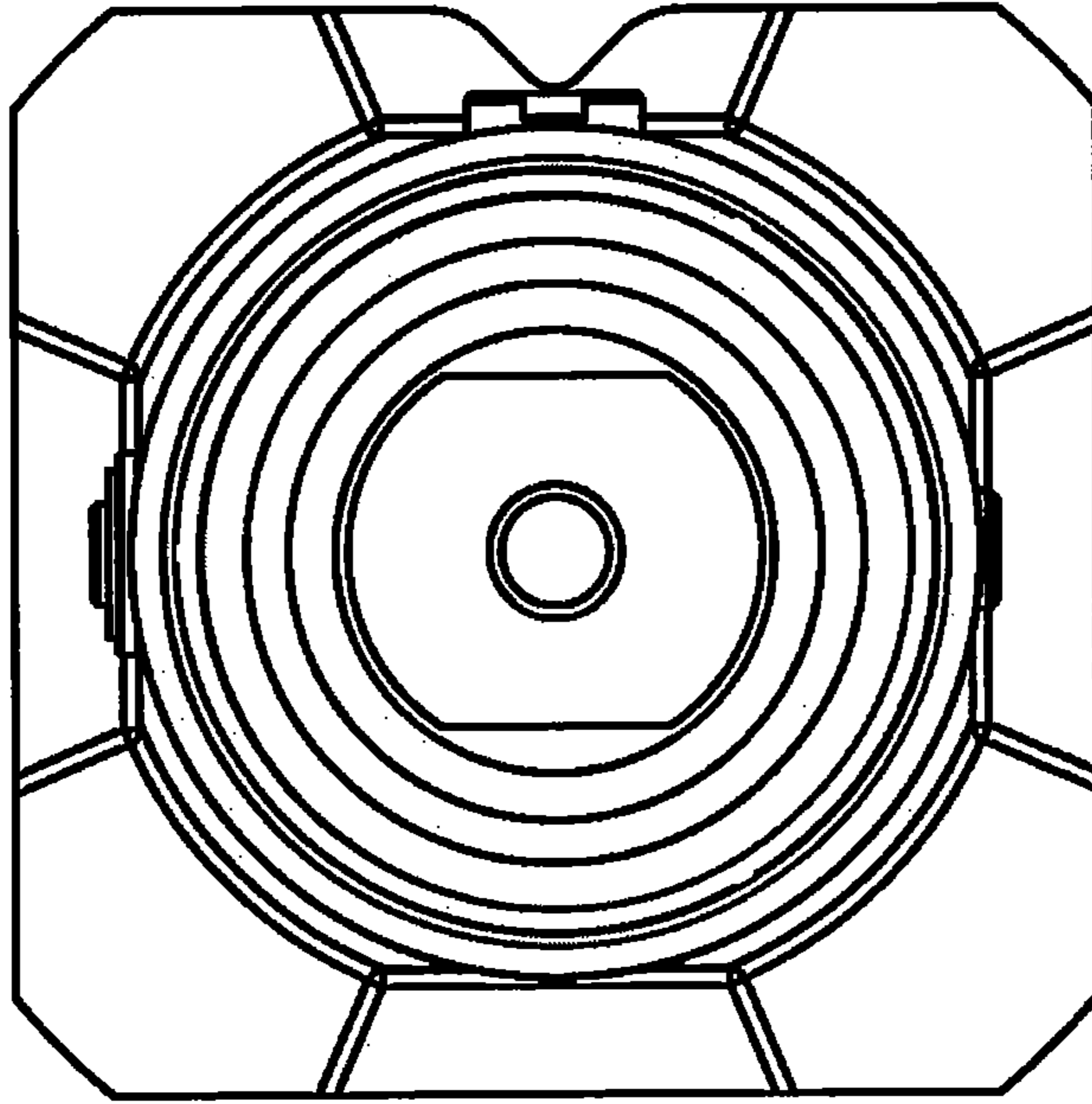


FIG. 2

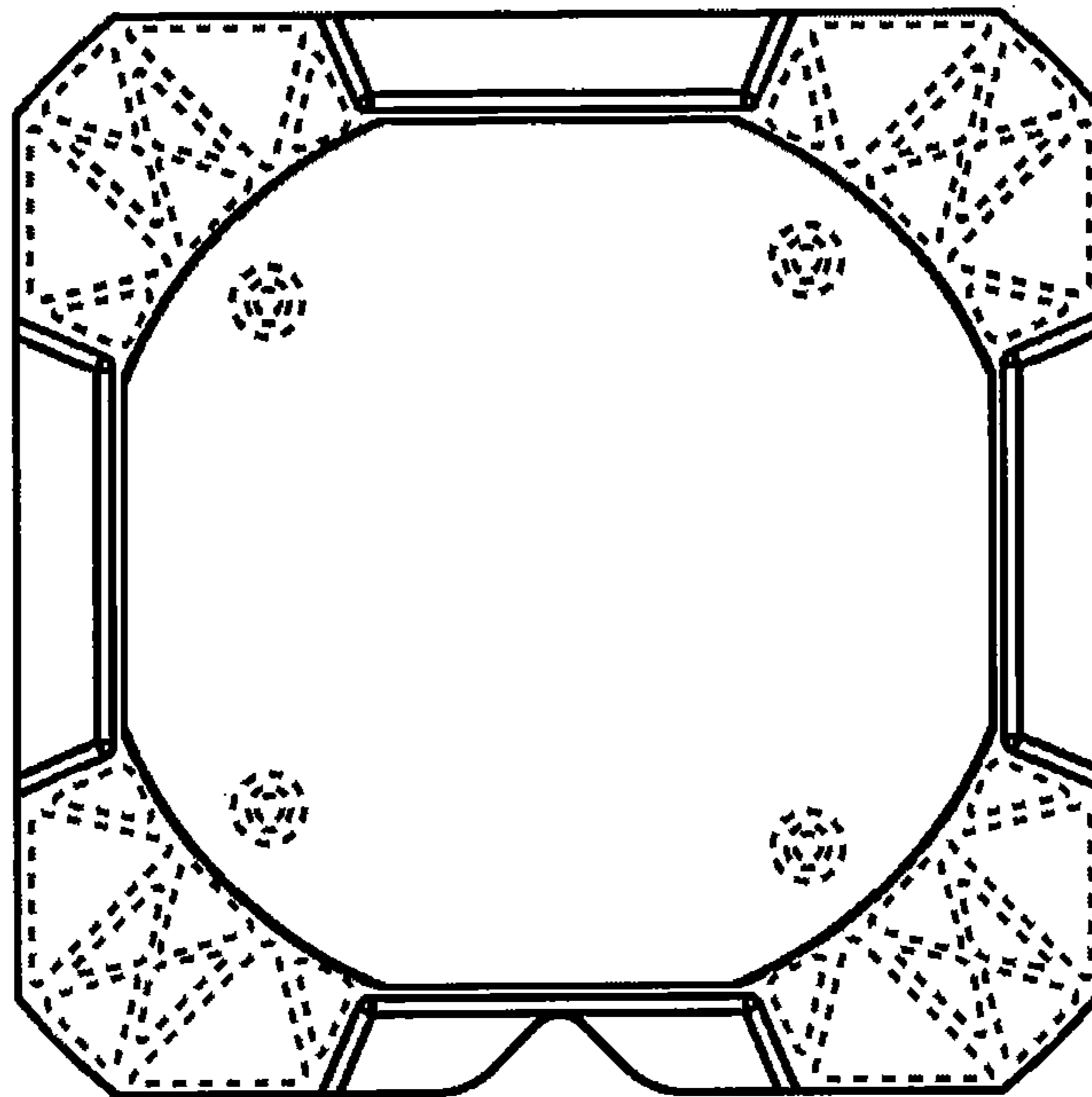


FIG. 3

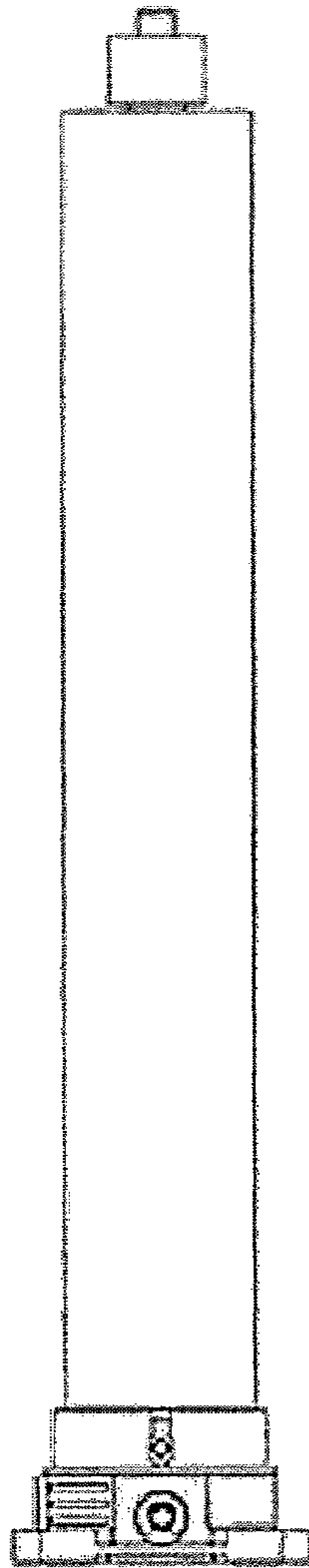


FIG. 4

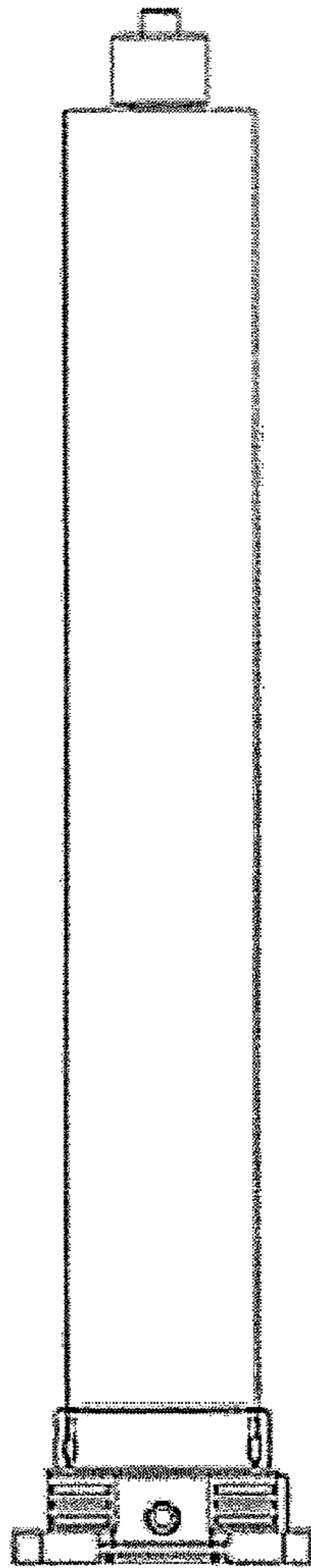


FIG. 5

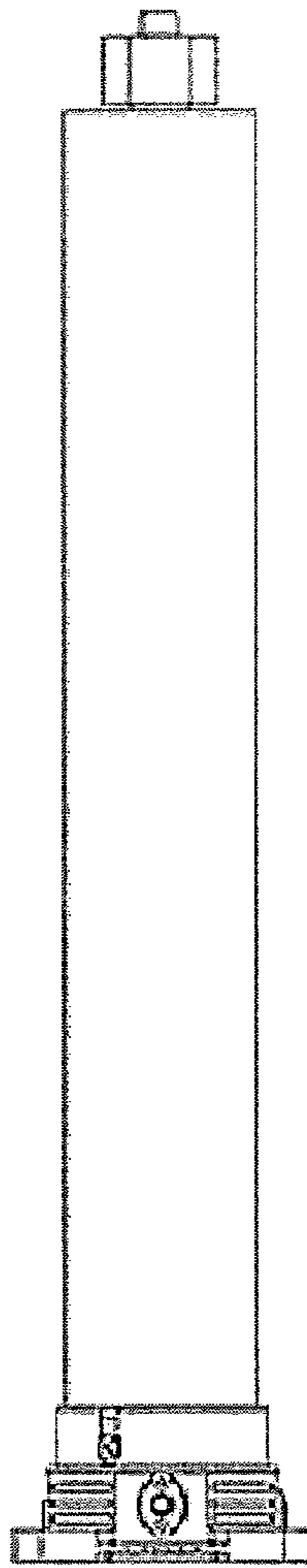


FIG. 6

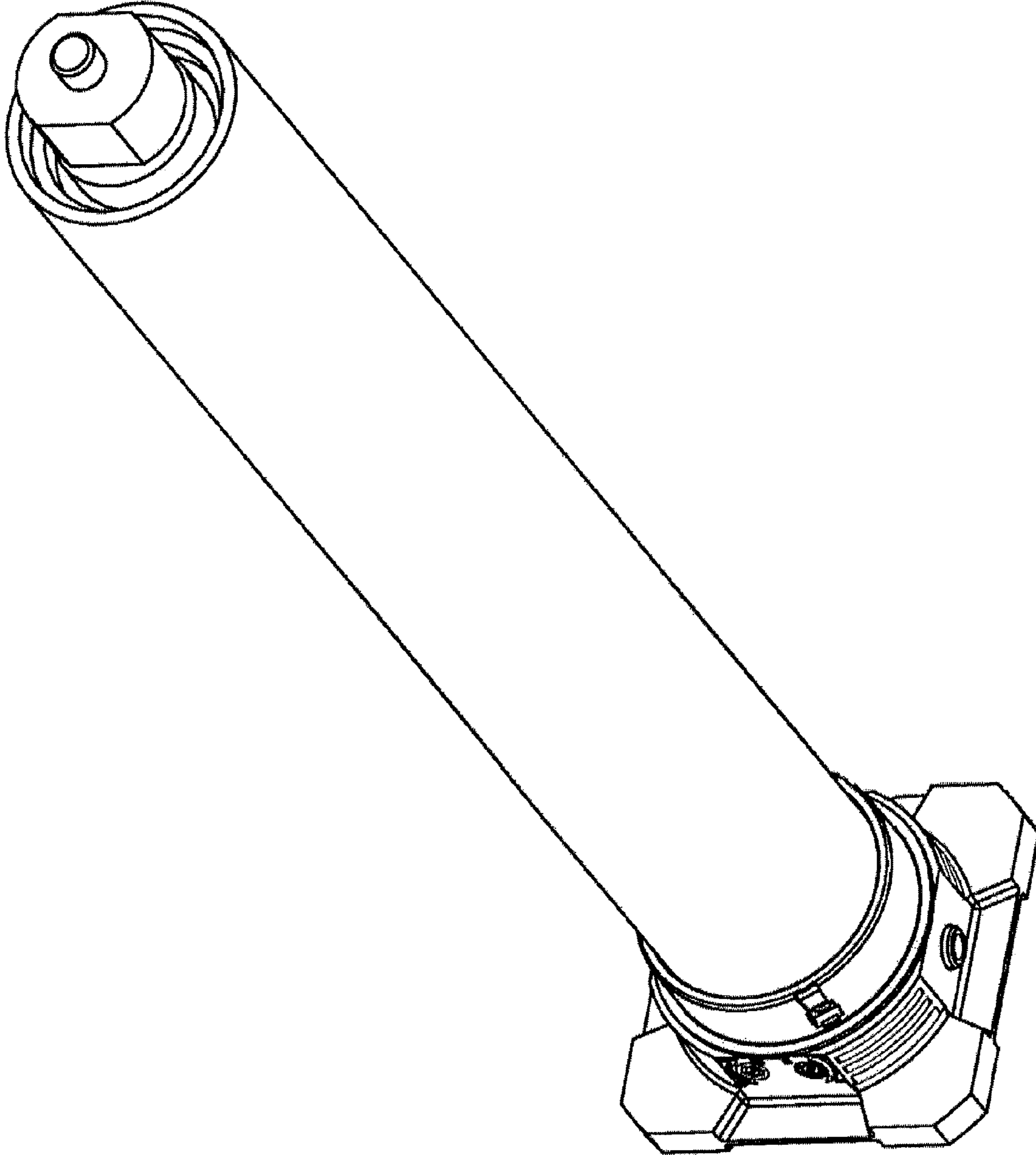


FIG. 7