



US00D715221S

(12) **United States Design Patent**  
**Lin**

(10) **Patent No.:** **US D715,221 S**  
(45) **Date of Patent:** **\*\* Oct. 14, 2014**

(54) **ADAPTER FOR TRACKLIGHT**

(71) Applicant: **Westport International Co., Ltd.**,  
Taoyuan (TW)

(72) Inventor: **Shan Chaing Lin**, Taoyuan (TW)

(73) Assignee: **Westport International Co., Ltd.**,  
Taoyuan (TW)

(\*\*) Term: **14 Years**

(21) Appl. No.: **29/480,036**

(22) Filed: **Jan. 22, 2014**

(51) **LOC (10) Cl.** ..... **13-02**

(52) **U.S. Cl.**  
USPC ..... **D13/110**

(58) **Field of Classification Search**

CPC ..... H01R 25/00; H01R 25/14; H01R 25/142;  
F16J 1/16  
USPC ..... D13/110, 107, 108, 123, 133, 135,  
D13/137.1, 138.1, 199; 174/53, 54, 59, 61;  
307/150, 151; 320/111, 114; 363/132,  
363/140, 142, 143, 146; 439/105, 131, 166,  
439/171-173, 218, 518, 692, 956; D26/26,  
D26/27, 113, 142; 361/601, 620, 669, 674,  
361/730

See application file for complete search history.

(56) **References Cited**

U.S. PATENT DOCUMENTS

4,347,460 A *	8/1982	Latassa et al. ....	315/63
D275,949 S *	10/1984	Vakil .....	D13/154
D282,062 S *	1/1986	Cummings .....	D13/135
D339,103 S *	9/1993	Dickey .....	D13/110
D499,698 S *	12/2004	Ramirez .....	D13/110
D552,030 S *	10/2007	Wright et al. ....	D13/110
D566,666 S *	4/2008	Tiedemann .....	D13/184
D606,936 S *	12/2009	Nakayama et al. ....	D13/110

\* cited by examiner

*Primary Examiner* — Derrick Holland

(57) **CLAIM**

The ornamental design for a adapter for tracklight, as shown.

**DESCRIPTION**

FIG. 1 is a front perspective view of a adapter for tracklight showing my new design;

FIG. 2 is a front elevational view thereof;

FIG. 3 is a rear elevational view thereof;

FIG. 4 is a left side elevational view thereof;

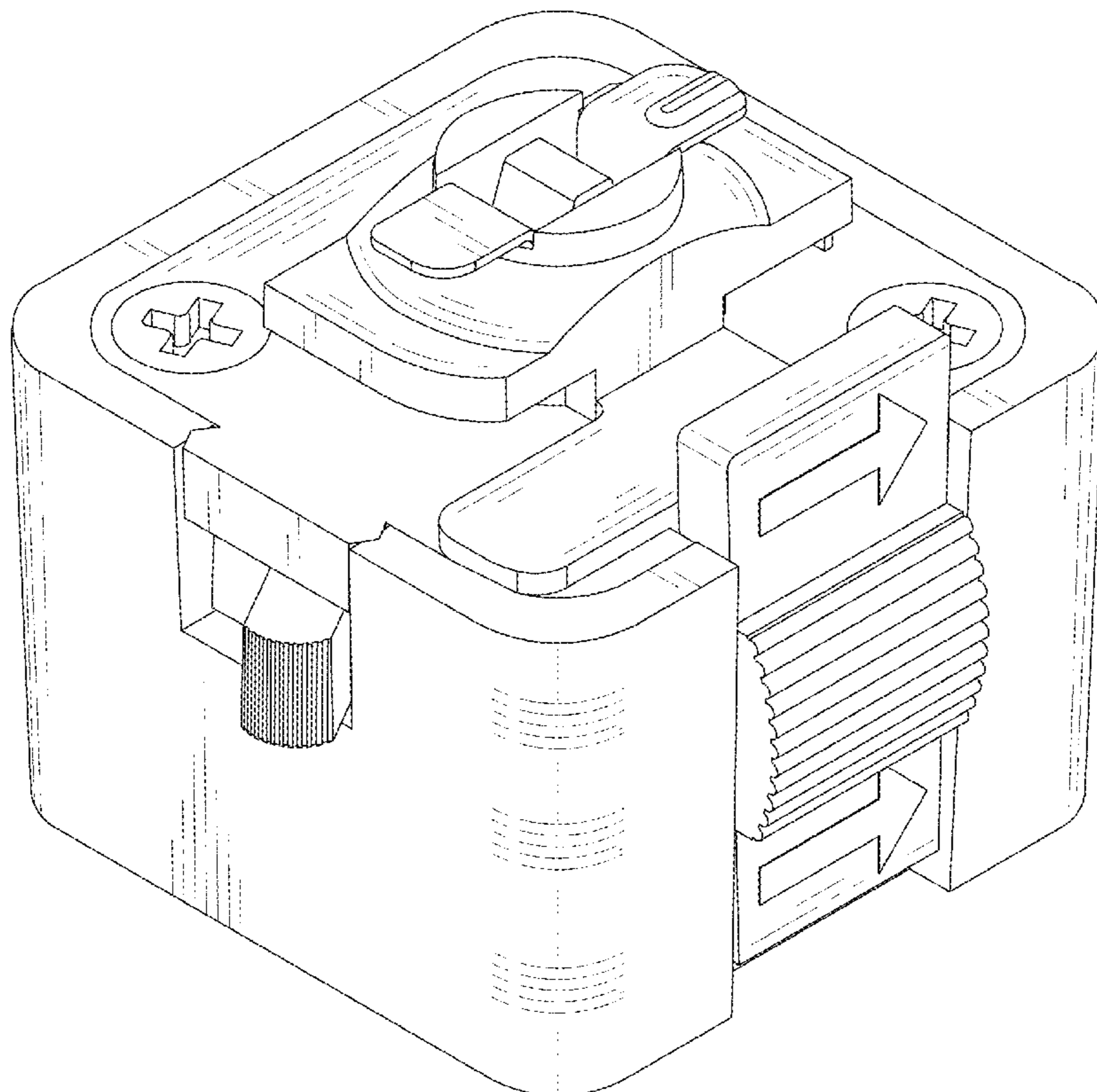
FIG. 5 is a right side elevational view thereof;

FIG. 6 is a top plan view thereof;

FIG. 7 is a bottom plan view thereof; and,

FIG. 8 is a bottom perspective view thereof.

**1 Claim, 8 Drawing Sheets**



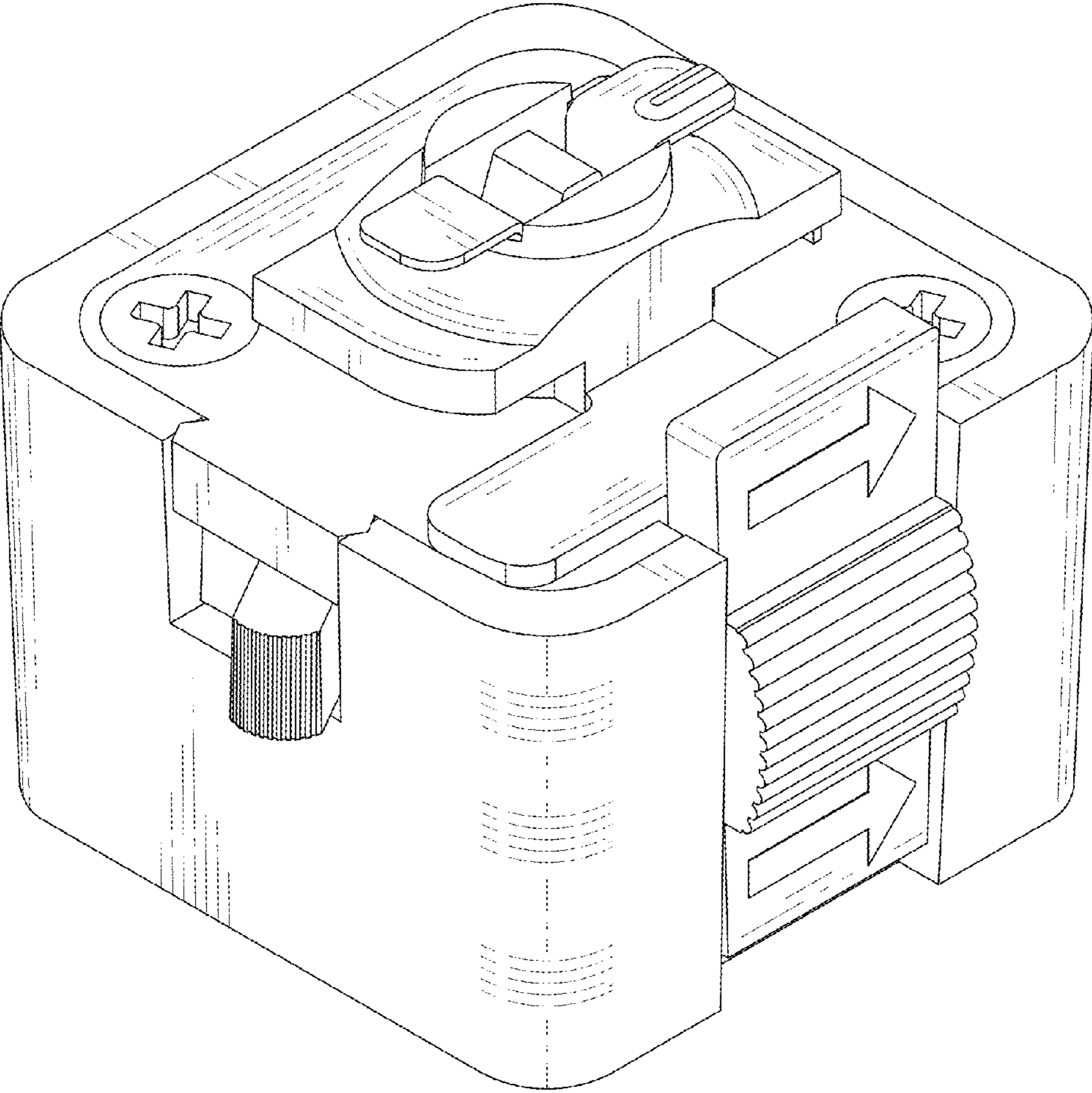


Fig.1

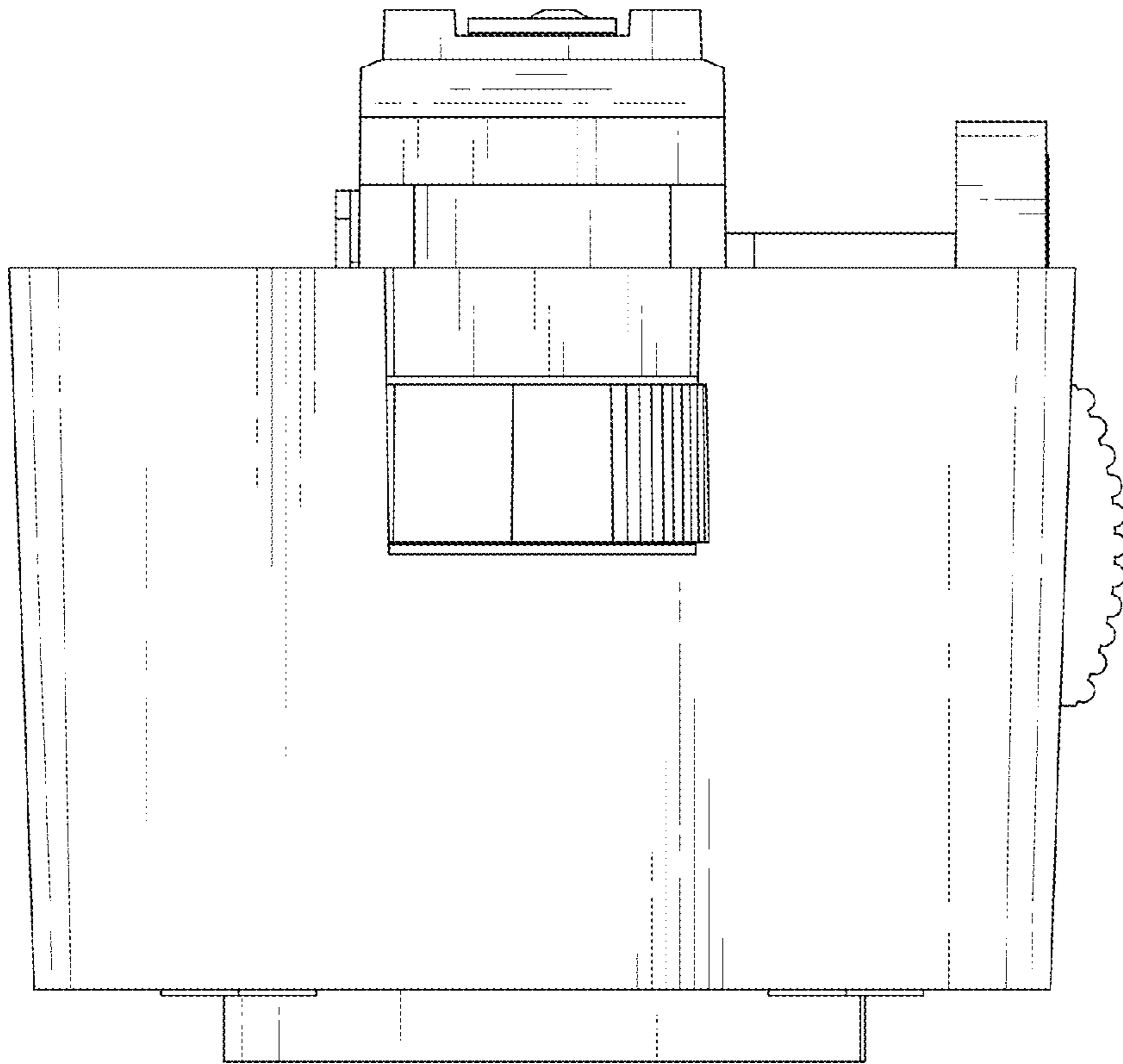


Fig.2

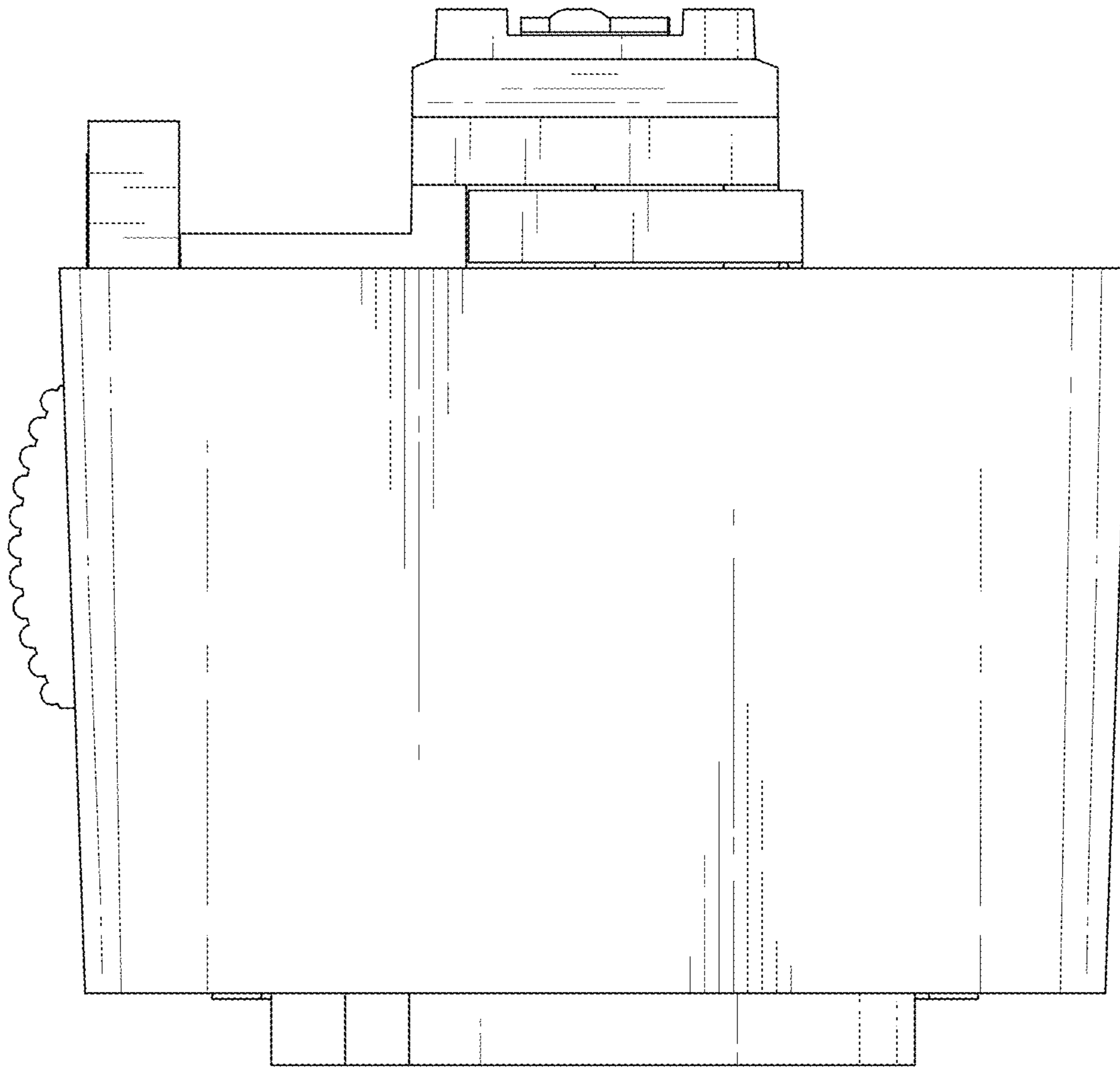


Fig.3

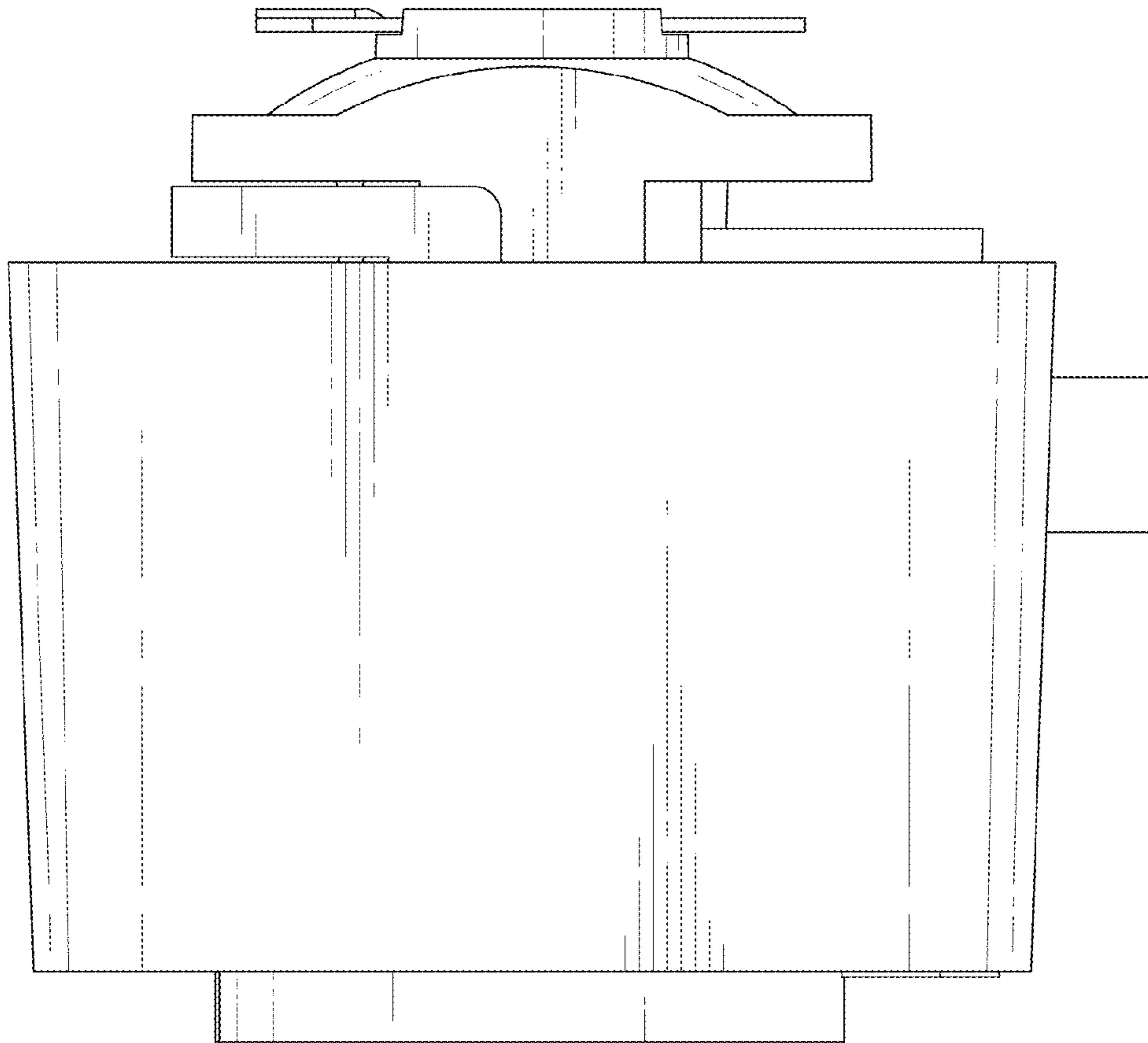


Fig.4

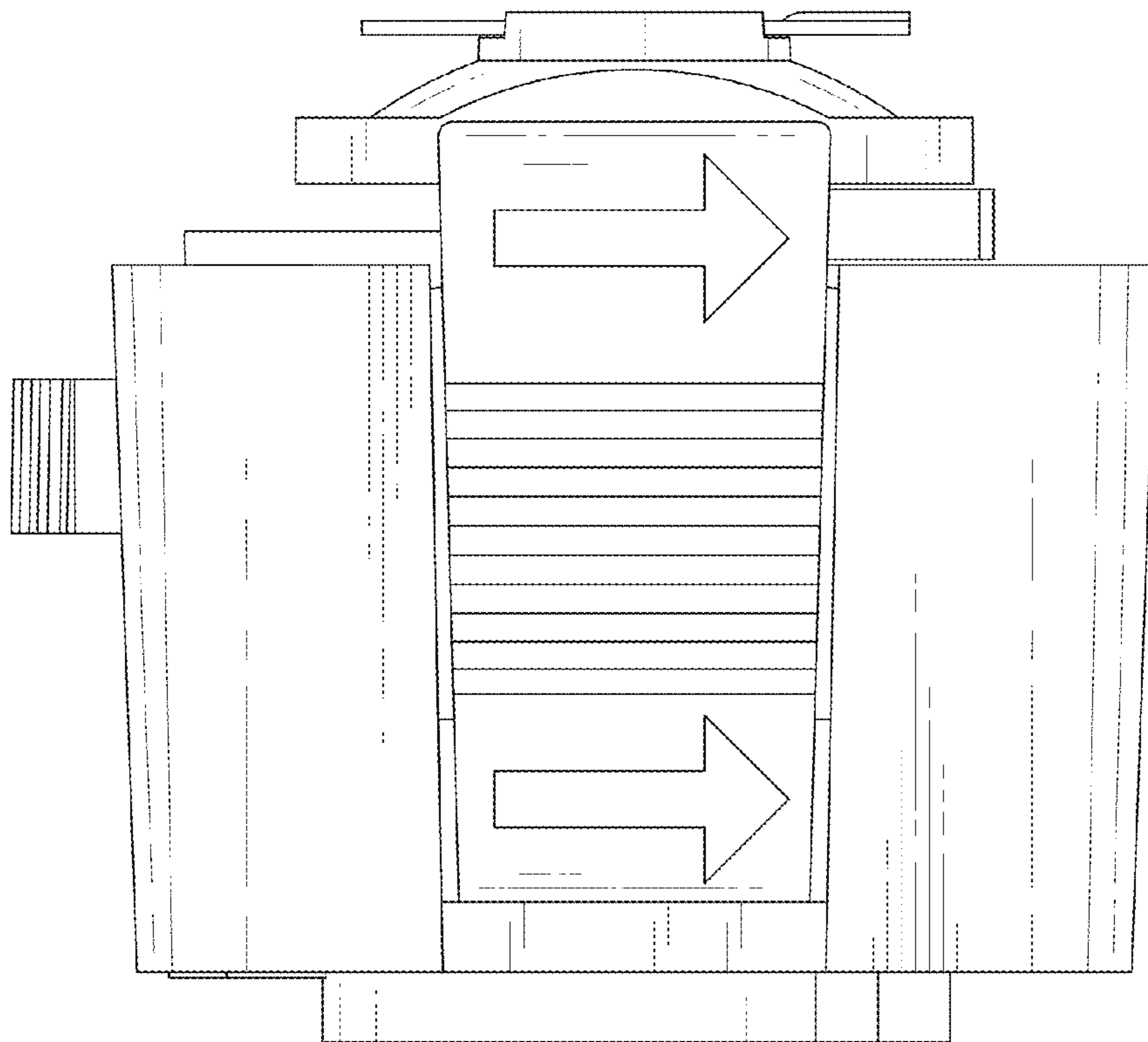


Fig.5



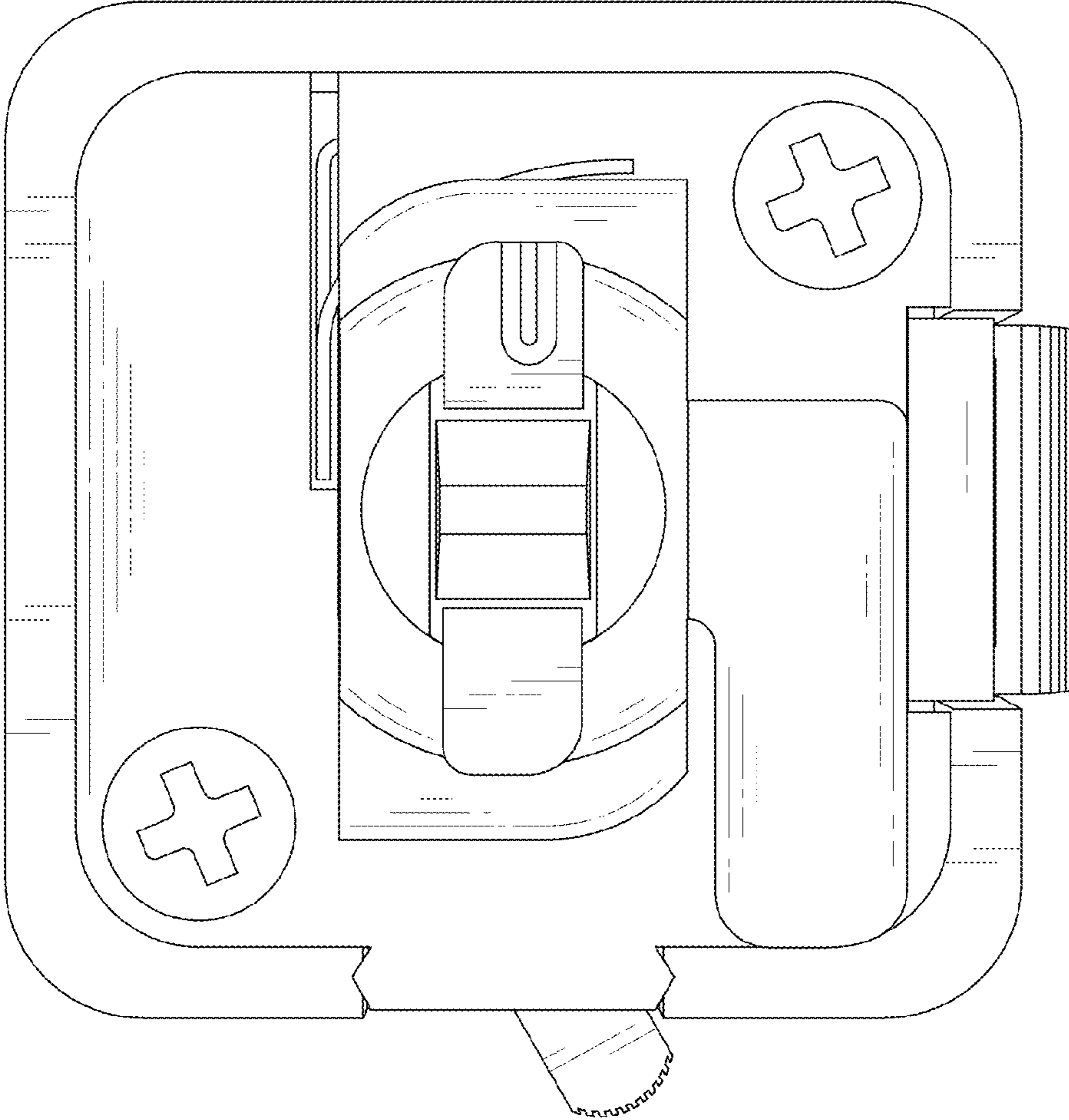


Fig.6

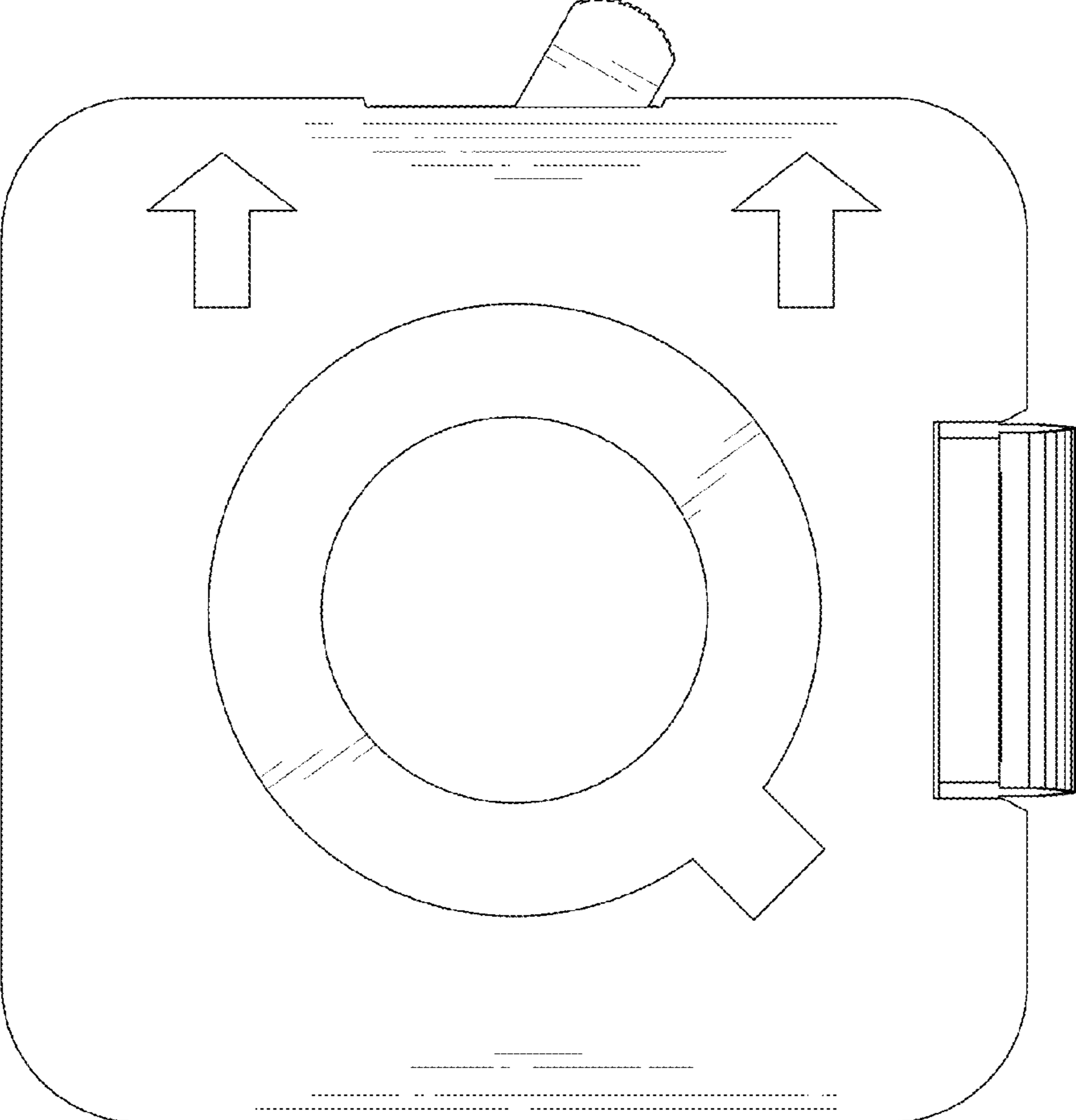


Fig.7



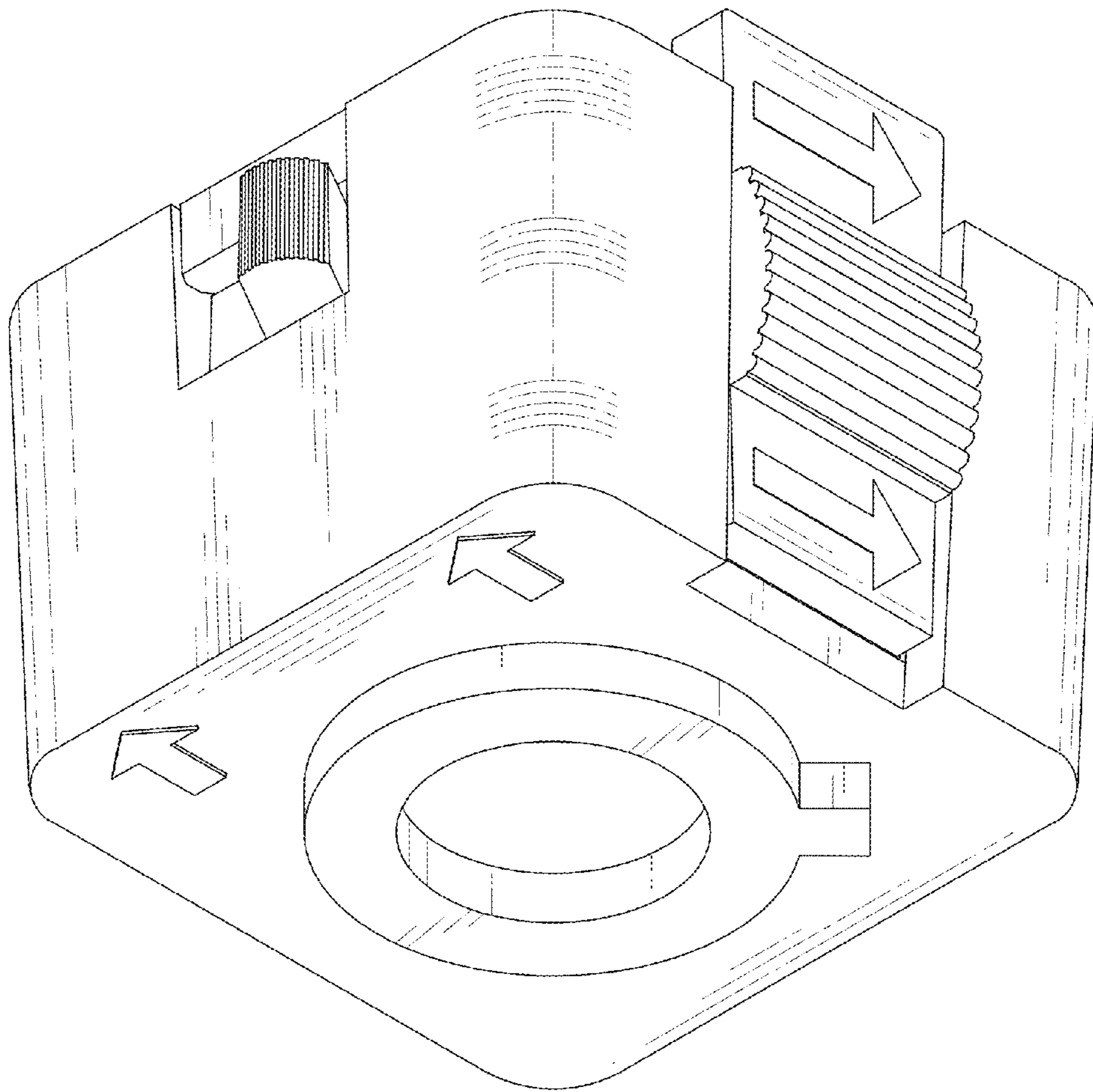


Fig.8