



US00D715218S

(12) **United States Design Patent**  
**Tanaka et al.**

(10) **Patent No.:** **US D715,218 S**  
(45) **Date of Patent:** **\*\* Oct. 14, 2014**

(54) **BATTERY FOR PORTABLE COMPUTER**

(71) Applicant: **Panasonic Corporation**, Osaka (JP)

(72) Inventors: **Shintaro Tanaka**, Osaka (JP); **Sugiko Honda**, Osaka (JP)

(73) Assignee: **Panasonic Corporation**, Osaka (JP)

(\*\*) Term: **14 Years**

(21) Appl. No.: **29/469,410**

(22) Filed: **Oct. 10, 2013**

(30) **Foreign Application Priority Data**

Apr. 12, 2013 (JP) ..... 2013-008227

(51) **LOC (10) Cl.** ..... **13-02**

(52) **U.S. Cl.**  
USPC ..... **D13/103**

(58) **Field of Classification Search**  
USPC ..... D13/102-104, 110, 118-121, 184, 199;  
429/96-100, 163, 176  
See application file for complete search history.

(56) **References Cited**

**U.S. PATENT DOCUMENTS**

D431,227 S *	9/2000	Ogasawara	.....	D13/103
D431,808 S *	10/2000	Ogasawara	.....	D13/103
D448,003 S *	9/2001	Ogasawara	.....	D13/103
D477,275 S *	7/2003	Wada	.....	D13/103
D517,475 S *	3/2006	Yokota	.....	D13/103
D519,919 S *	5/2006	Yokota	.....	D13/103
D520,942 S *	5/2006	Yokota	.....	D13/103
D521,448 S *	5/2006	Yokota	.....	D13/103
D521,449 S *	5/2006	Yokota	.....	D13/103
D531,574 S *	11/2006	Yamada	.....	D13/103
D531,575 S *	11/2006	Yamada	.....	D13/103
D535,249 S *	1/2007	Ogasawara	.....	D13/103

D539,730 S *	4/2007	Kawase	.....	D13/103
D558,140 S *	12/2007	Kumano	.....	D13/103
D580,350 S *	11/2008	Iseki	.....	D13/103
D580,850 S *	11/2008	Iseki	.....	D13/103
D591,673 S *	5/2009	Ogasawara	.....	D13/103
D603,330 S *	11/2009	Iseki	.....	D13/103
D616,362 S *	5/2010	Chang et al.	.....	D13/103
D662,468 S *	6/2012	Nishimura et al.	.....	D13/103

**FOREIGN PATENT DOCUMENTS**

JP	D1077302	7/2000
JP	D1414274	5/2011
JP	D1446541	7/2012

\* cited by examiner

*Primary Examiner* — Rosemary K Tarcza

(74) *Attorney, Agent, or Firm* — Panasonic Patent Center

(57) **CLAIM**

We claim the ornamental design for a battery for portable computer, as shown and described.

**DESCRIPTION**

FIG. 1 is a front perspective view of a battery for portable computer of the present invention;  
FIG. 2 is a rear perspective view thereof;  
FIG. 3 is a bottom rear perspective view thereof;  
FIG. 4 is a front view thereof;  
FIG. 5 is a rear view thereof;  
FIG. 6 is a top view thereof;  
FIG. 7 is a bottom view thereof;  
FIG. 8 is a first side view thereof;  
FIG. 9 is a second side view thereof;  
FIG. 10 is a cross-sectional view taken along the line 10-10' in FIG. 4 with the internal parts being omitted; and,  
FIG. 11 is a cross-sectional view taken along the line 11-11' in FIG. 7 with the internal parts being omitted.

**1 Claim, 11 Drawing Sheets**

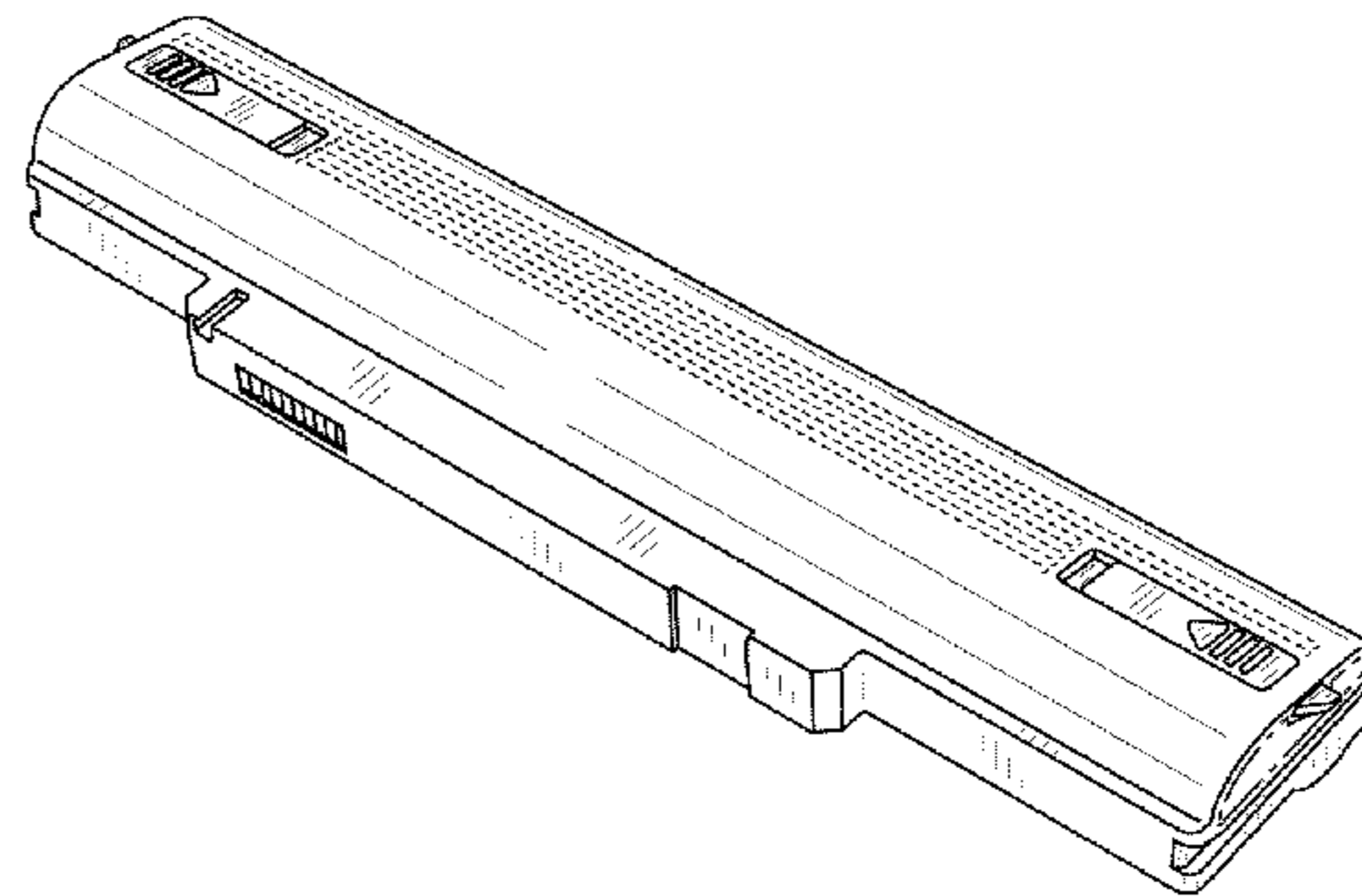
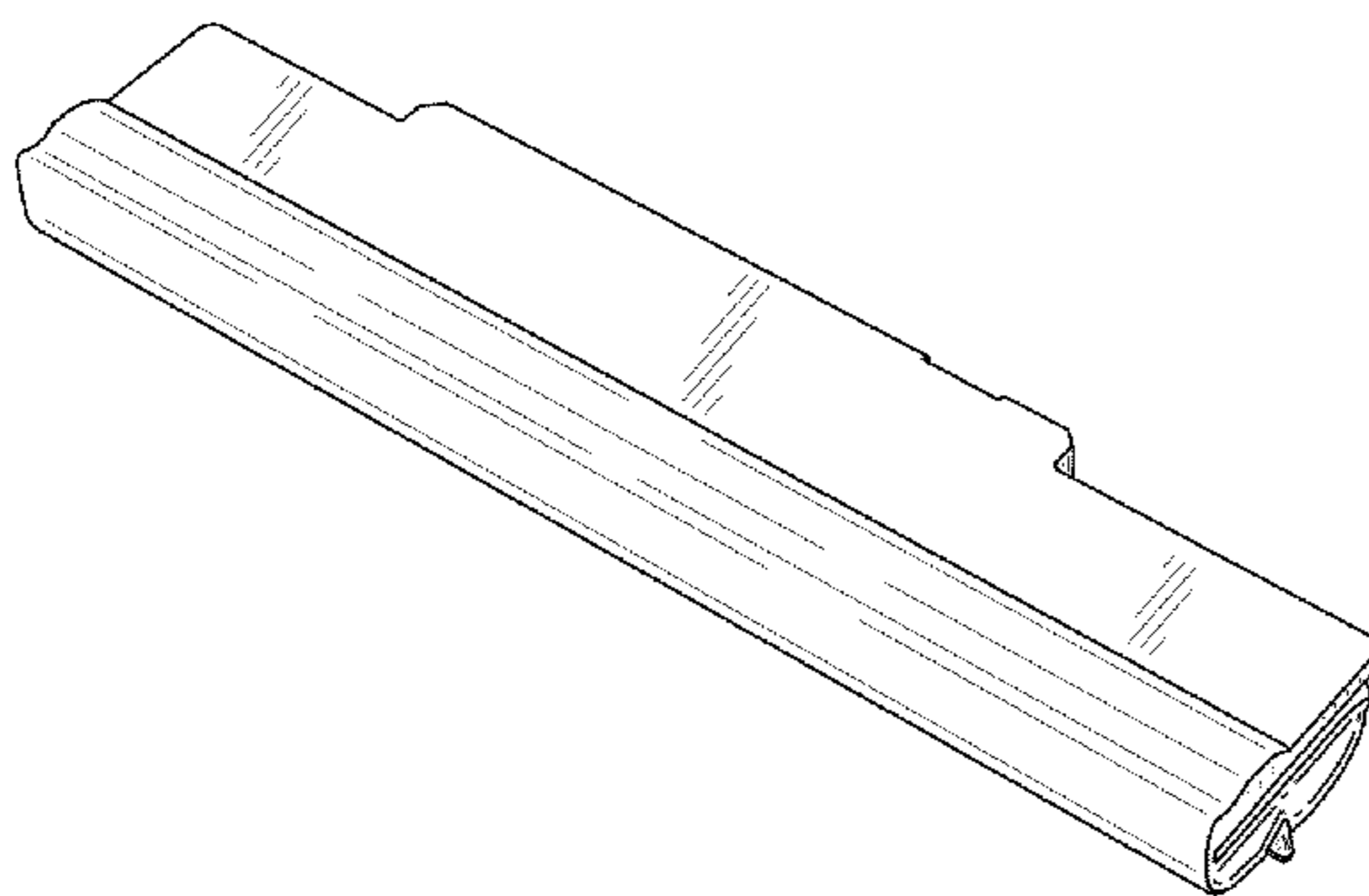


FIG. 1

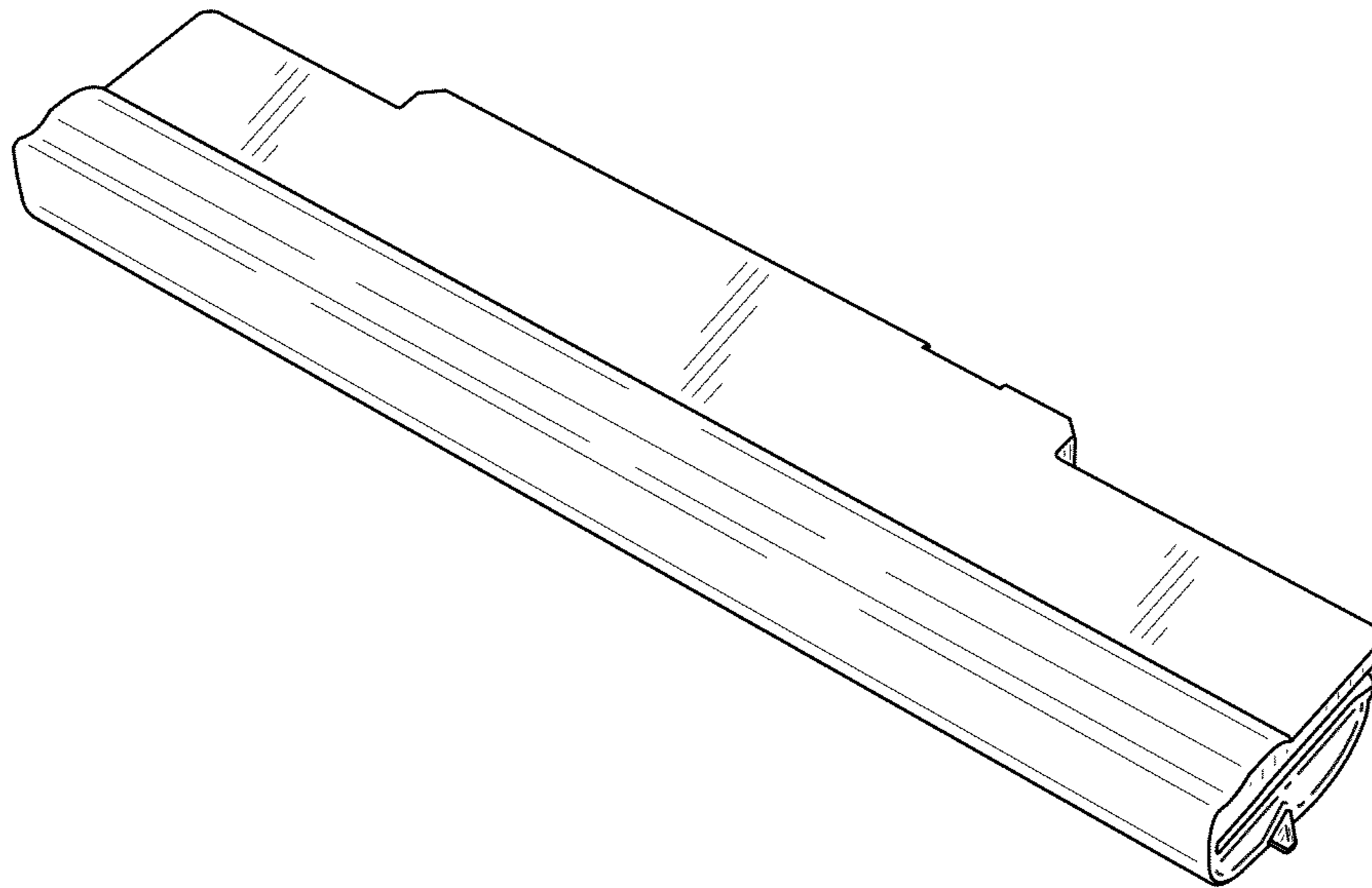


FIG. 2

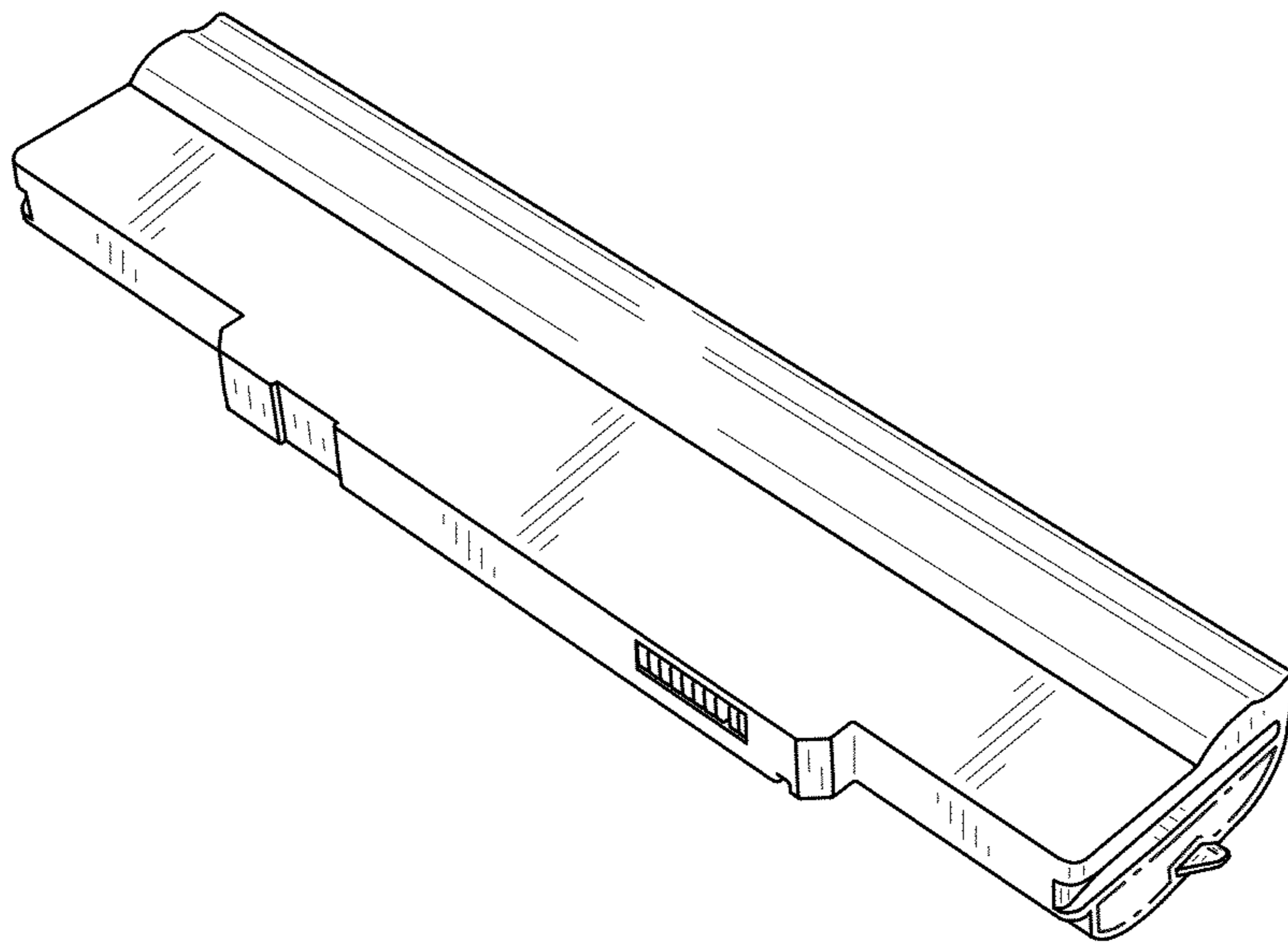


FIG. 3

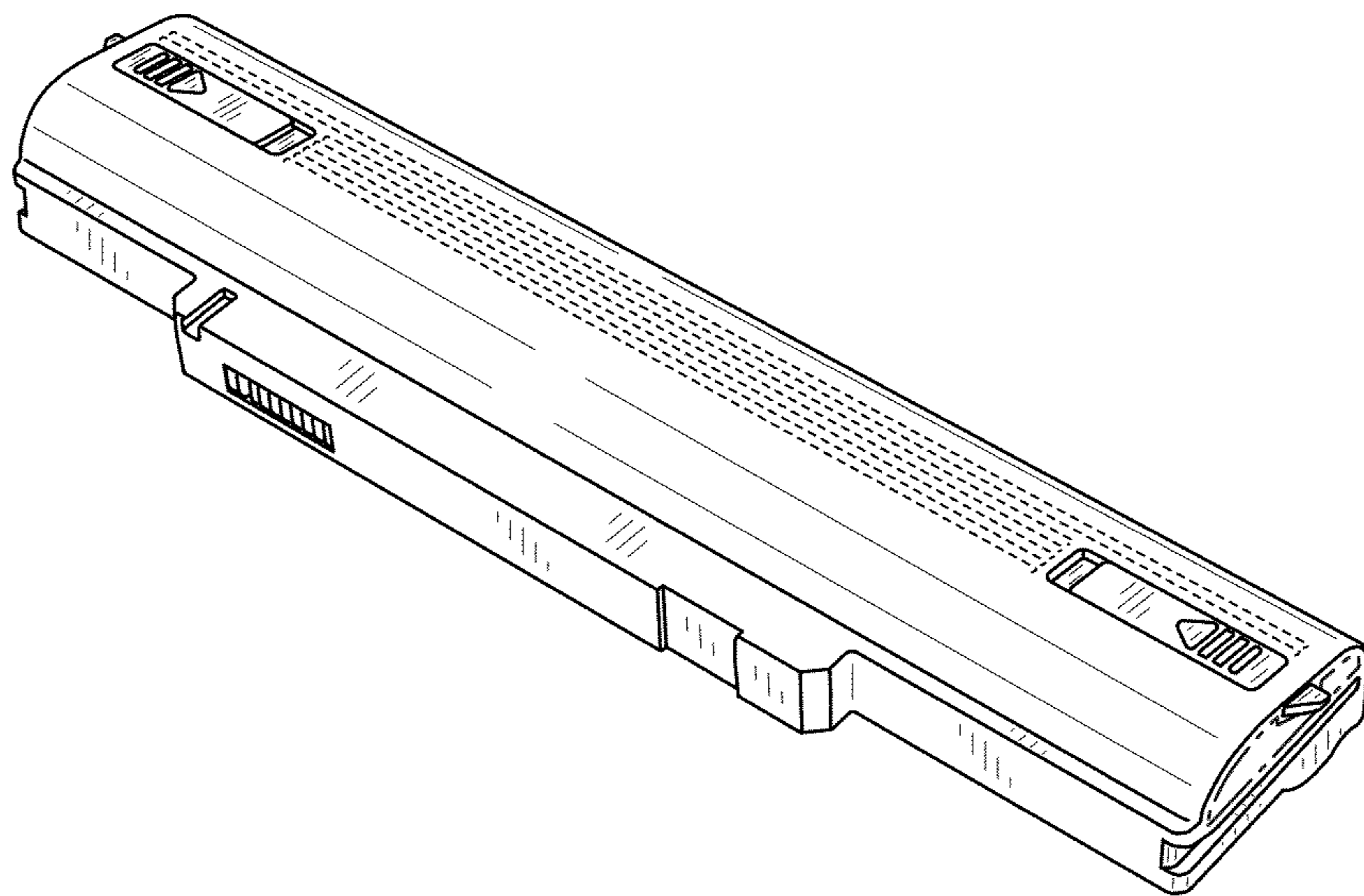


FIG. 4

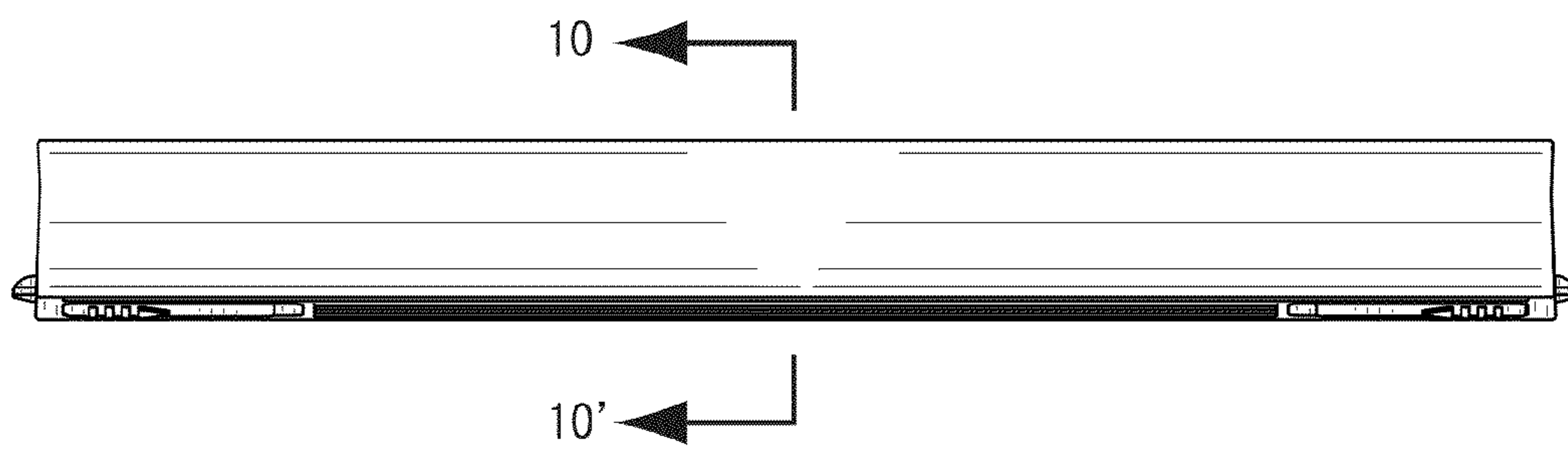


FIG. 5

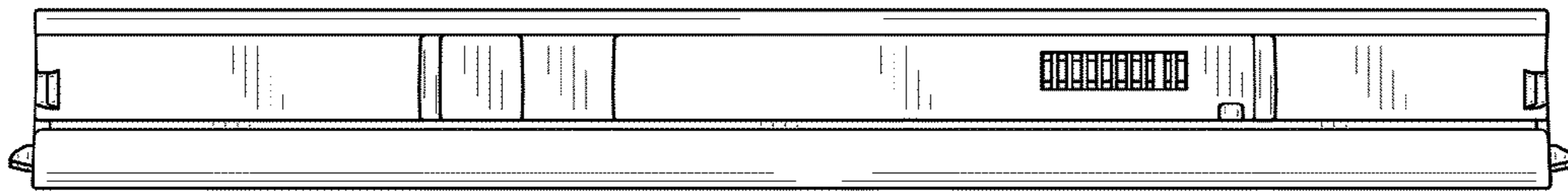


FIG. 6

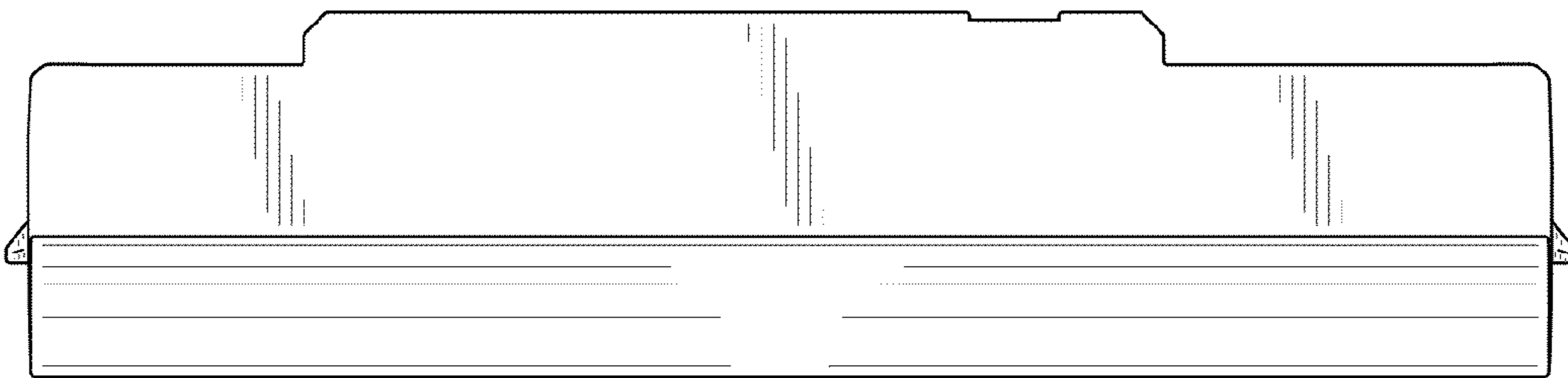


FIG. 7

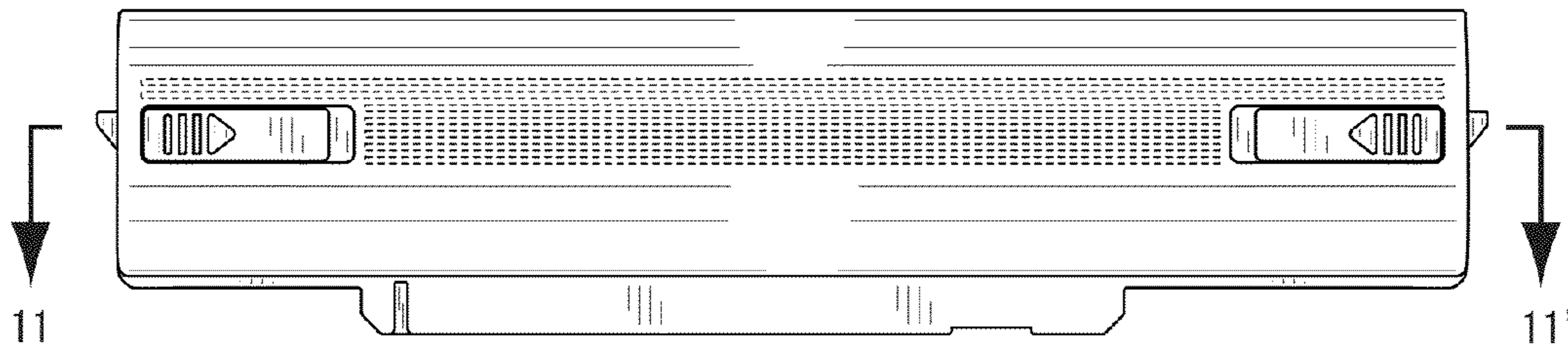




FIG. 8

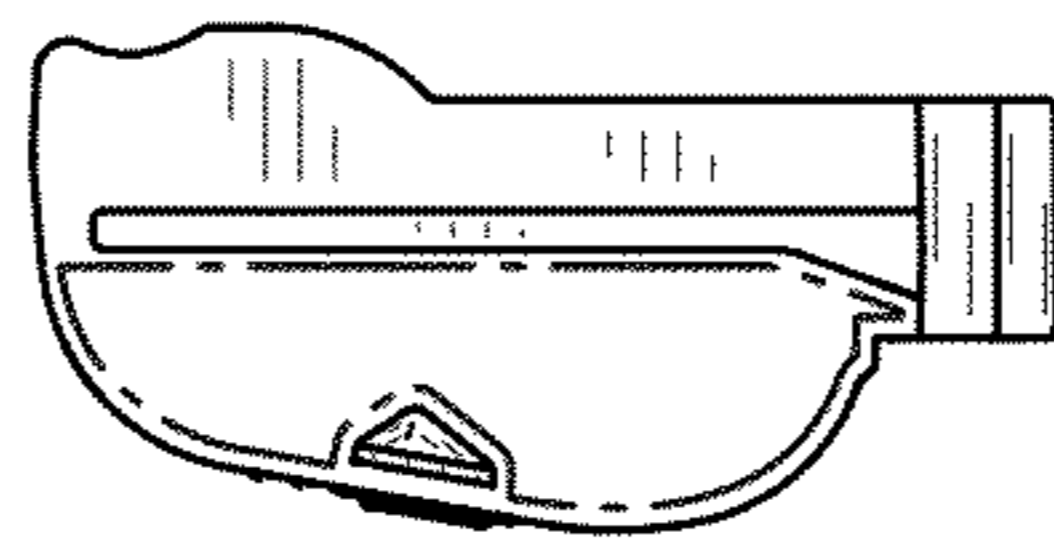


FIG. 9

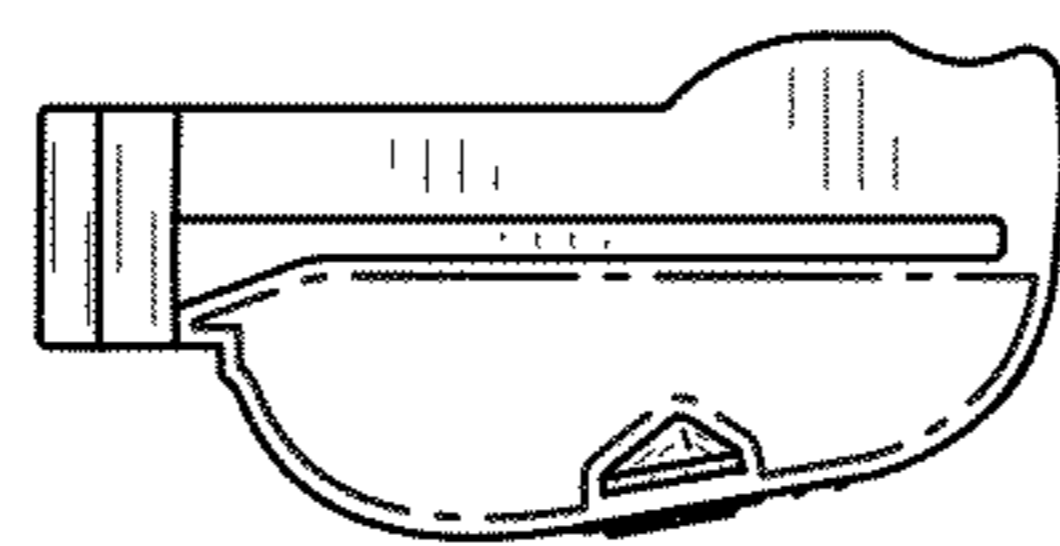


FIG. 10

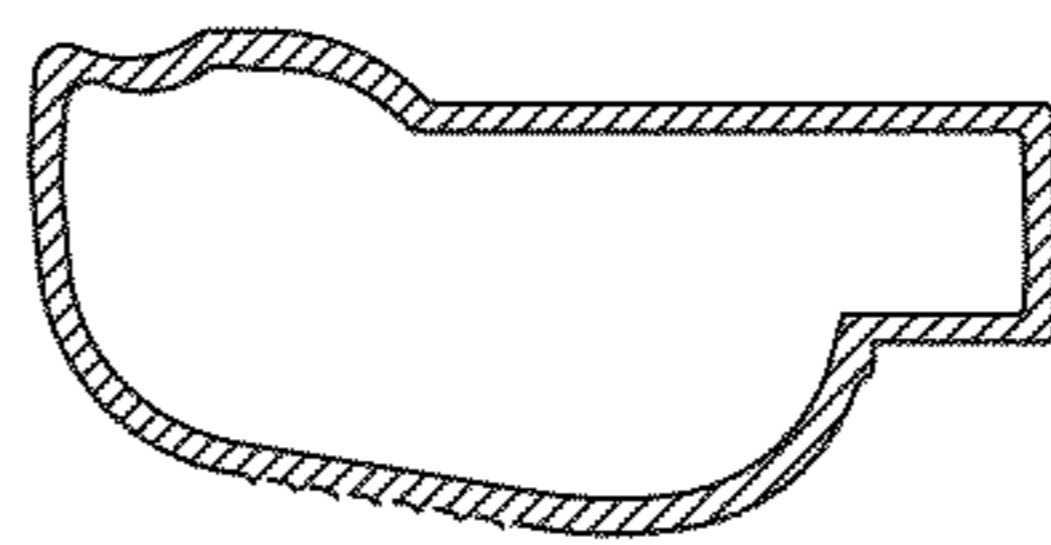


FIG. 11

