



US00D715216S

(12) **United States Design Patent**
Dixon et al.

(10) **Patent No.:** **US D715,216 S**
(45) **Date of Patent:** **** Oct. 14, 2014**

(54) **TIRE**

(75) Inventors: **Max Harold Dixon**, Kent, OH (US);
Robert John Hermann, Cuyahoga Falls, OH (US); **Austin Gale Young**, Wadsworth, OH (US)

(73) Assignee: **The Goodyear Tire & Rubber Company**, Akron, OH (US)

(**) Term: **14 Years**

(21) Appl. No.: **29/419,725**

(22) Filed: **May 1, 2012**

(51) **LOC (10) Cl.** **12-15**

(52) **U.S. Cl.**
USPC **D12/600**

(58) **Field of Classification Search**
USPC D12/568–603, 900–901, 564;
152/209.1–209.9, 209.11–209.19,
152/209.21–209.28, 455
See application file for complete search history.

(56) **References Cited**

U.S. PATENT DOCUMENTS

D334,369 S *	3/1993	Christenbury	D12/600
D347,606 S *	6/1994	Mehta	D12/600
D394,029 S	5/1998	Gillard et al.	D12/141
D394,034 S	5/1998	Feider et al.	D12/147
D405,741 S *	2/1999	Weber et al.	D12/600
D448,707 S	10/2001	Maziarka et al.	D12/147
D451,860 S	12/2001	Schuster et al.	D12/147
D458,584 S	6/2002	Young et al.	D12/600
D473,513 S	4/2003	Welbes	D12/588
D481,005 S	10/2003	Umstot et al.	D12/600
D517,471 S *	3/2006	Robert	D12/600
D517,978 S *	3/2006	Robert	D12/600
D527,338 S *	8/2006	Suzuki	D12/600
D554,055 S	10/2007	Beauguitte et al.	D12/600
D560,600 S	1/2008	Dixon et al.	D12/588
D581,347 S	11/2008	Feider et al.	D12/523
D583,310 S	12/2008	Dixon et al.	D12/588

D583,311 S	12/2008	Bonko et al.	D12/588
D585,364 S	1/2009	Shondel et al.	D12/600
D592,589 S	5/2009	Dixon et al.	D12/600
D592,590 S	5/2009	Janesh et al.	D12/600
D599,282 S	9/2009	Nicolas	D12/588
D601,085 S	9/2009	Janesh et al.	D12/600
D602,853 S	10/2009	Nopper et al.	D12/600
D604,226 S	11/2009	Scheuren	D12/553
D604,228 S	11/2009	Le et al.	D12/582
D604,229 S	11/2009	Le et al.	D12/582
D605,107 S	12/2009	Ludwig et al.	D12/588
D605,108 S	12/2009	Brown et al.	D12/588
D607,812 S	1/2010	Dixon et al.	D12/587

(Continued)

Primary Examiner — Stacia Cadmus

(74) *Attorney, Agent, or Firm* — Richard B. O’Planick

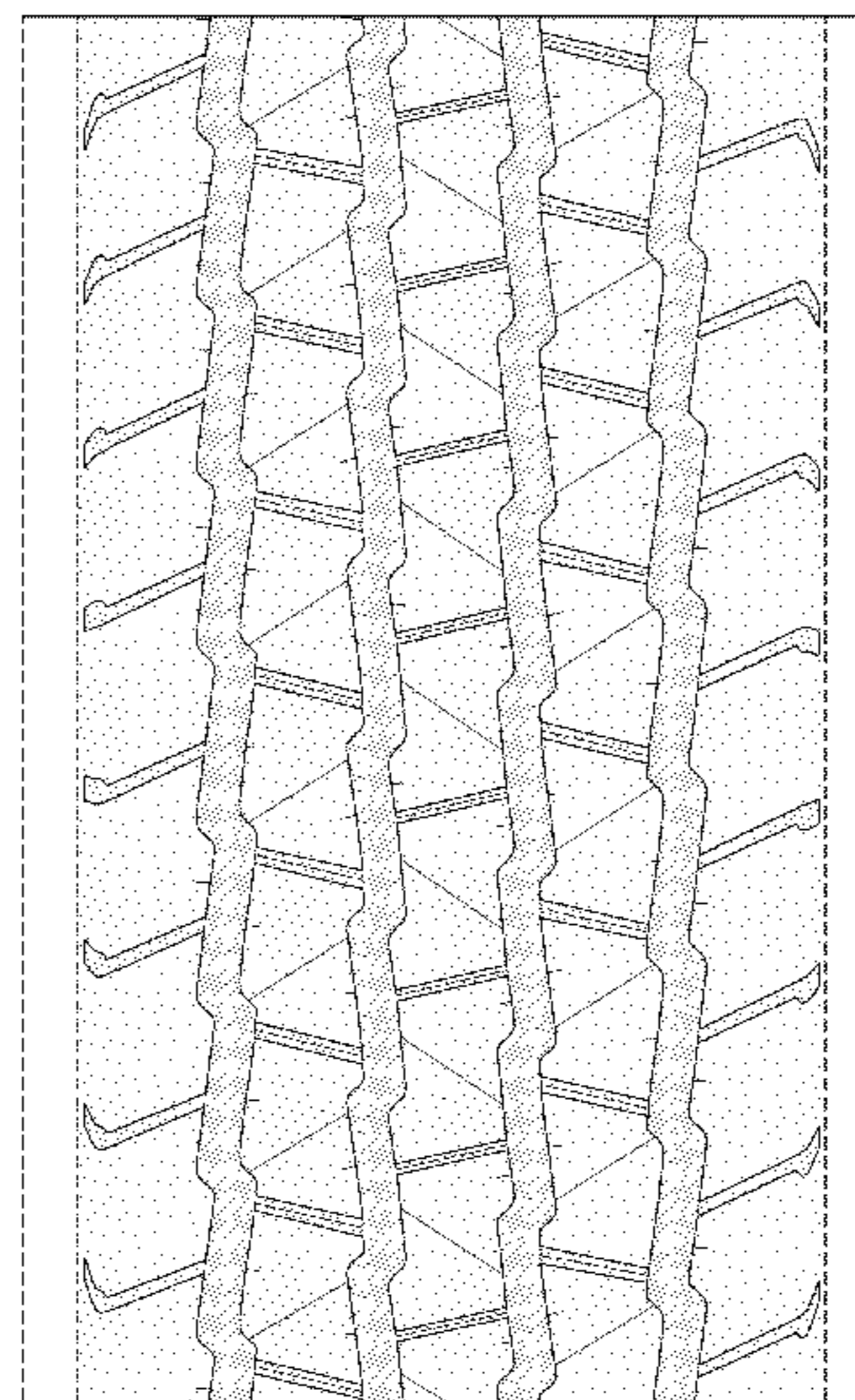
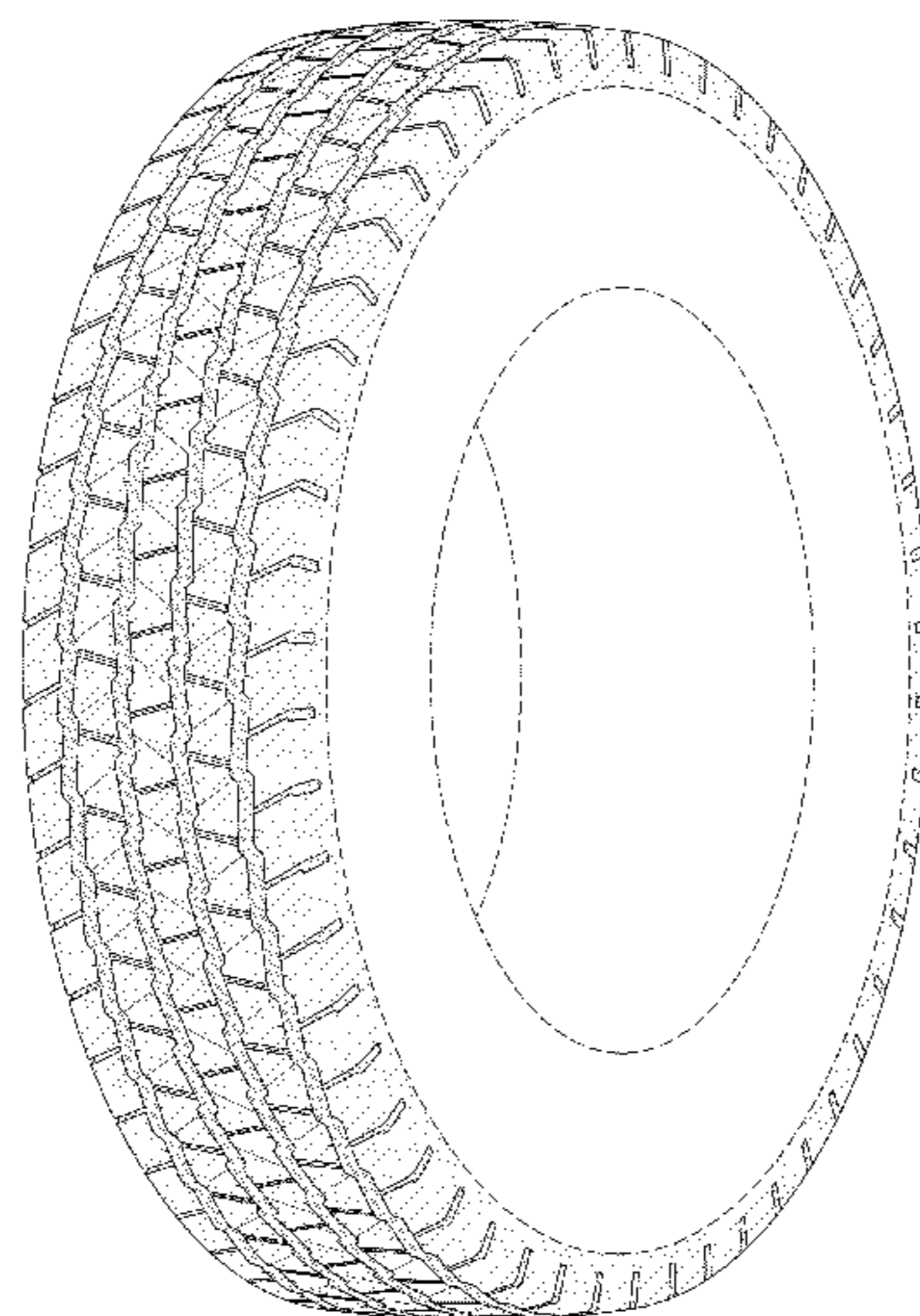
(57) **CLAIM**

The ornamental design for a tire, as shown and described.

DESCRIPTION

FIG. 1 is a perspective view of a tire showing our new design, it being understood that the pattern repeats uniformly throughout the circumference of the tread;
 FIG. 2 is a front elevational view thereof;
 FIG. 3 is a right side elevational view thereof; the opposite side elevational view being identical thereto;
 FIG. 4 is an enlarged fragmentary front elevational view thereof;
 FIG. 5 is a perspective view of a second embodiment of a tire showing our new design, it being understood that the pattern repeats uniformly throughout the circumference of the tread and that the opposite side view is identical thereto; and,
 FIG. 6 is a front elevational view of a second embodiment, it being understood that an enlarged fragmentary view thereof would be substantially identical to that shown in FIG. 4, with the exception of the inclusion of the sidewall in solid lines.
 In the drawings, the broken lines showing of the sidewall, inner bead and the peripheral boundary between the tire tread and the sidewall in FIGS. 1 through 4 depict environmental subject matter and form no part of the claimed design.

1 Claim, 6 Drawing Sheets



(56)

References Cited

U.S. PATENT DOCUMENTS

D609,169 S	2/2010	Feider	D12/588	D644,599 S	9/2011	Nicolas et al.	D12/601
D609,175 S	2/2010	Feider et al.	D12/600	D644,600 S	9/2011	Nicolas et al.	D12/602
D610,971 S	3/2010	Zimmerman et al.	D12/600	D645,806 S	9/2011	Dixon et al.	D12/579
D610,972 S *	3/2010	You	D12/600	D646,220 S *	10/2011	Tamura	D12/600
D620,430 S	7/2010	Gillard et al.	D12/600	D647,040 S	10/2011	Mathonet et al.	D12/588
D637,147 S *	5/2011	Buchinger-Barnstorf et al.	D12/600	D648,673 S *	11/2011	Koog	D12/600
D642,511 S *	8/2011	Strader et al.	D12/587	D660,223 S *	5/2012	Dixon et al.	D12/600
D642,974 S *	8/2011	Koshio	D12/600	D661,641 S *	6/2012	Oki et al.	D12/600
D643,804 S	8/2011	Dixon et al.	D12/594	D662,037 S *	6/2012	Nobunaga	D12/600
				D675,981 S *	2/2013	Kuwahara	D12/600
				D685,724 S *	7/2013	Jacobs	D12/600
				D700,133 S *	2/2014	Takahashi	D12/600

* cited by examiner

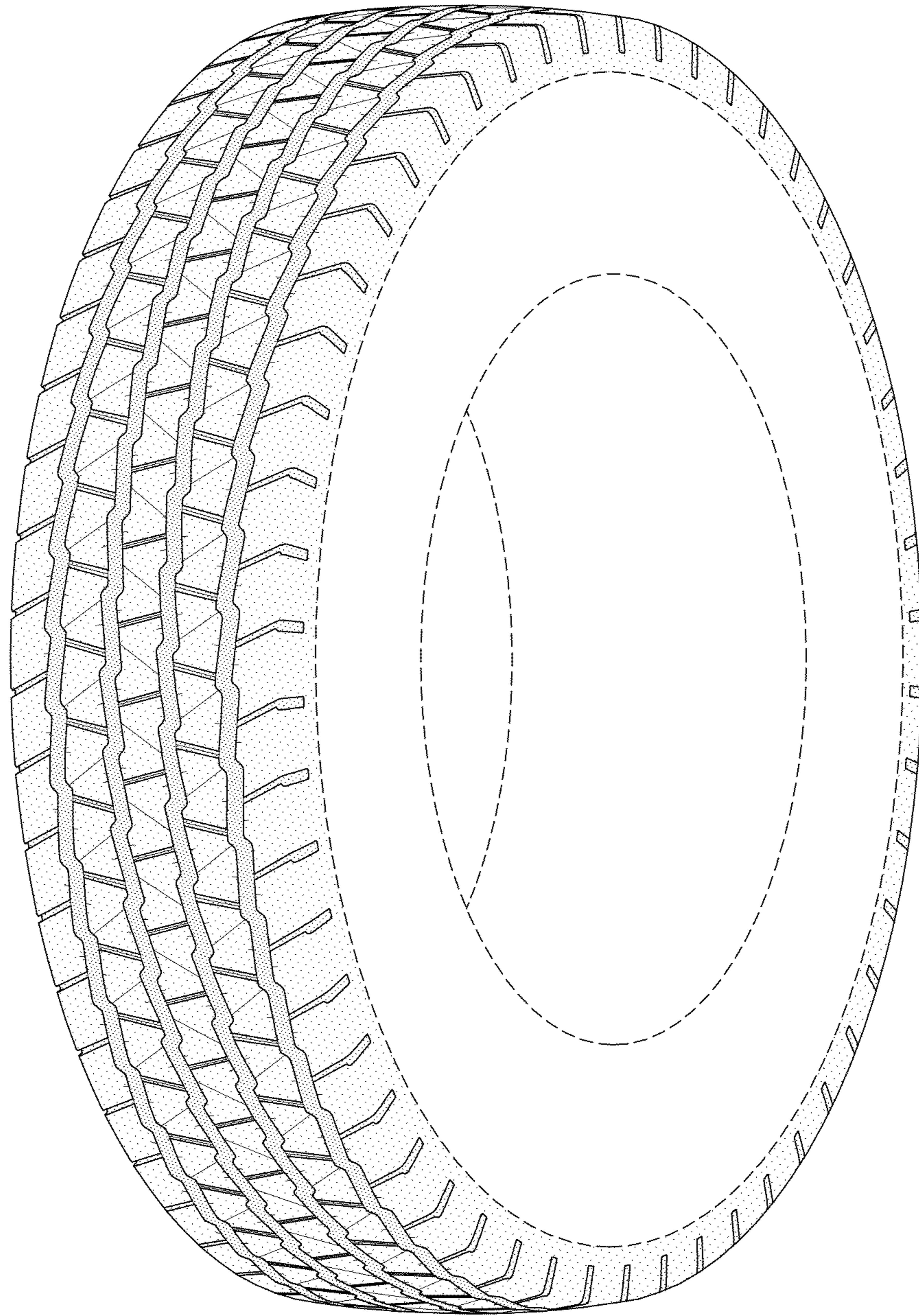


FIG-1

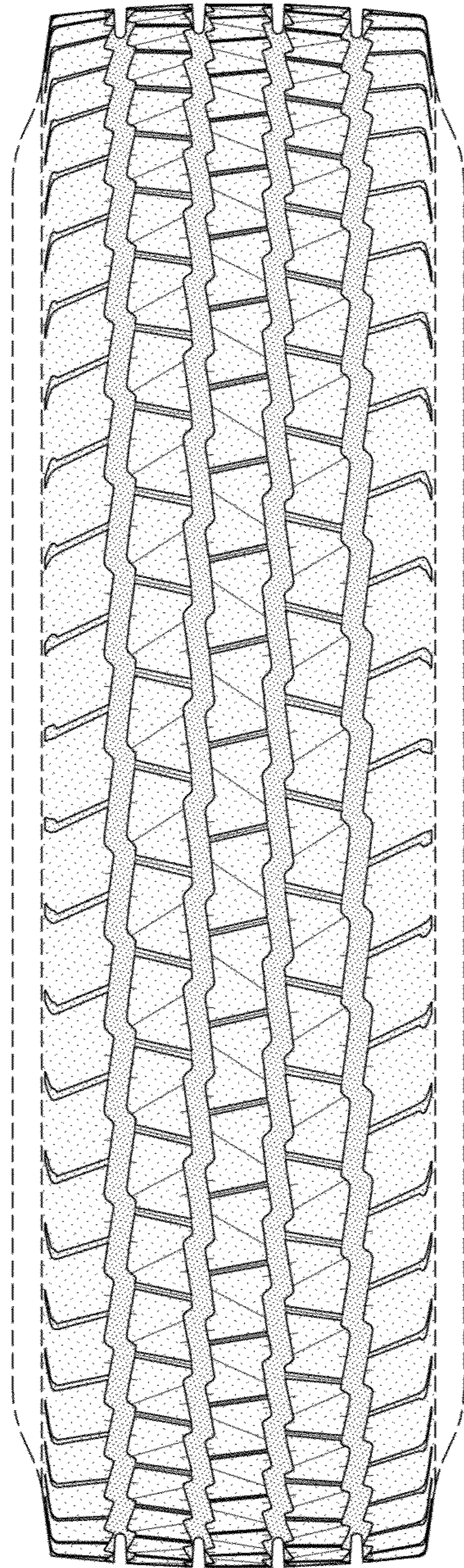


FIG-2

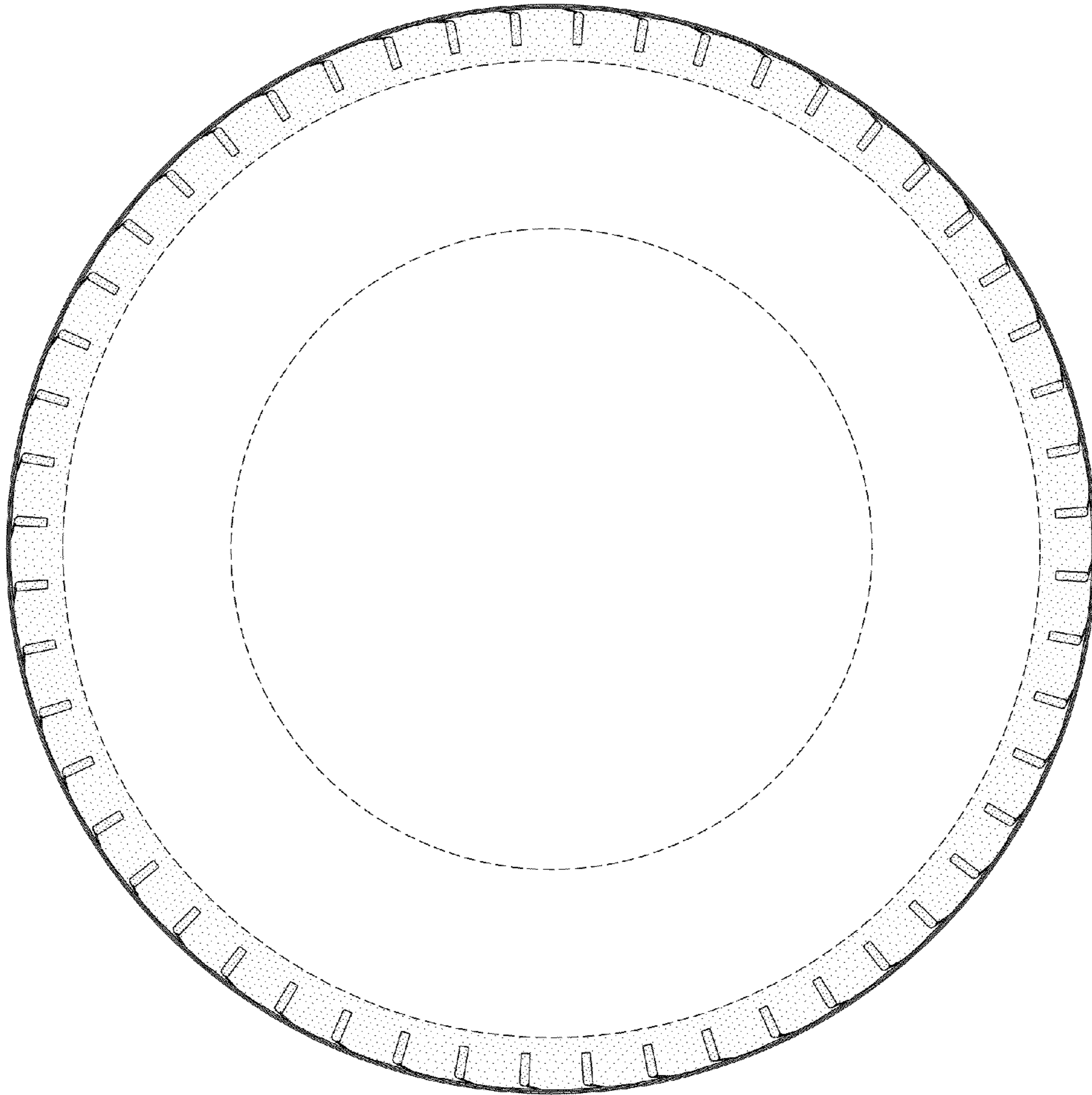


FIG-3

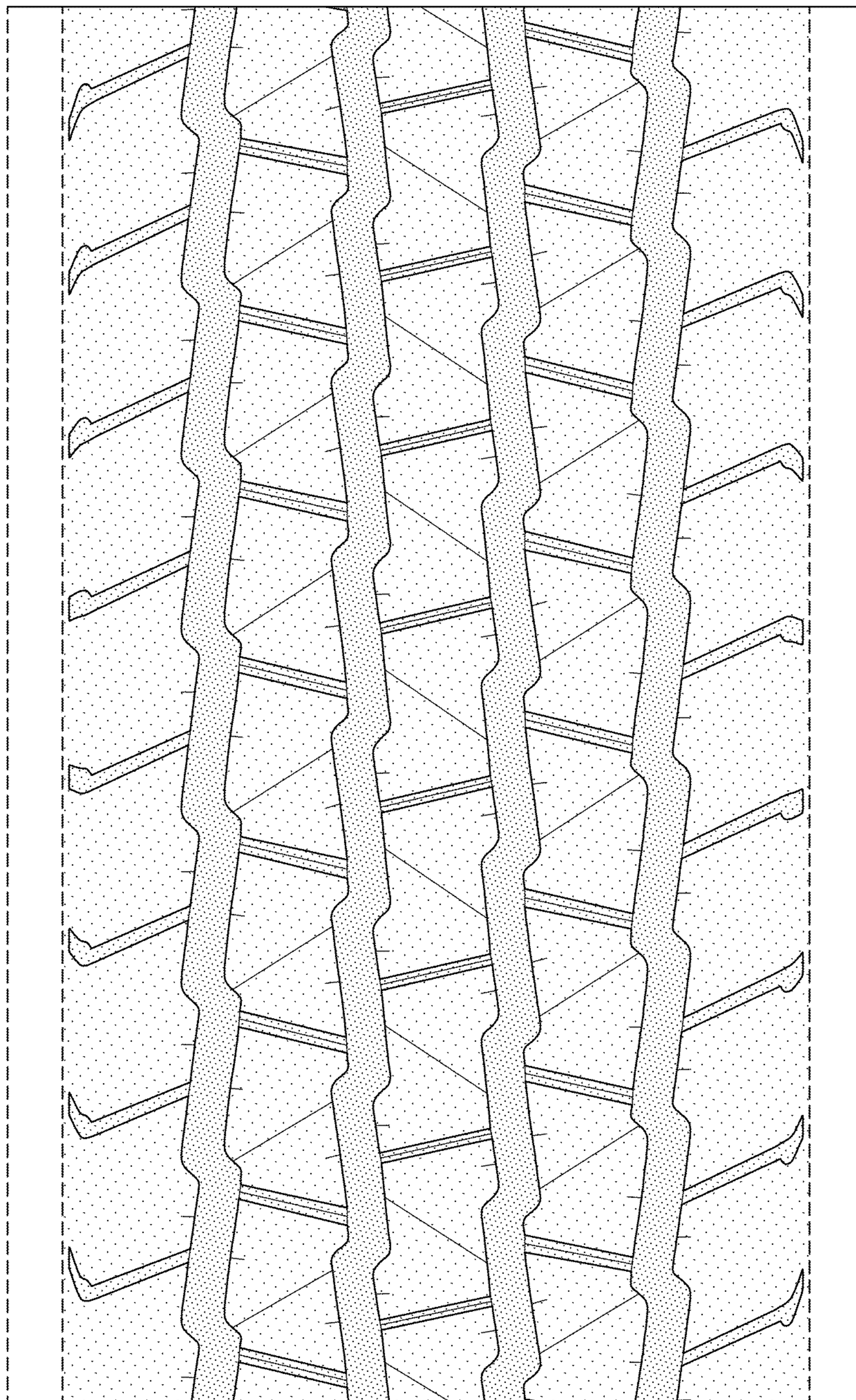


FIG-4

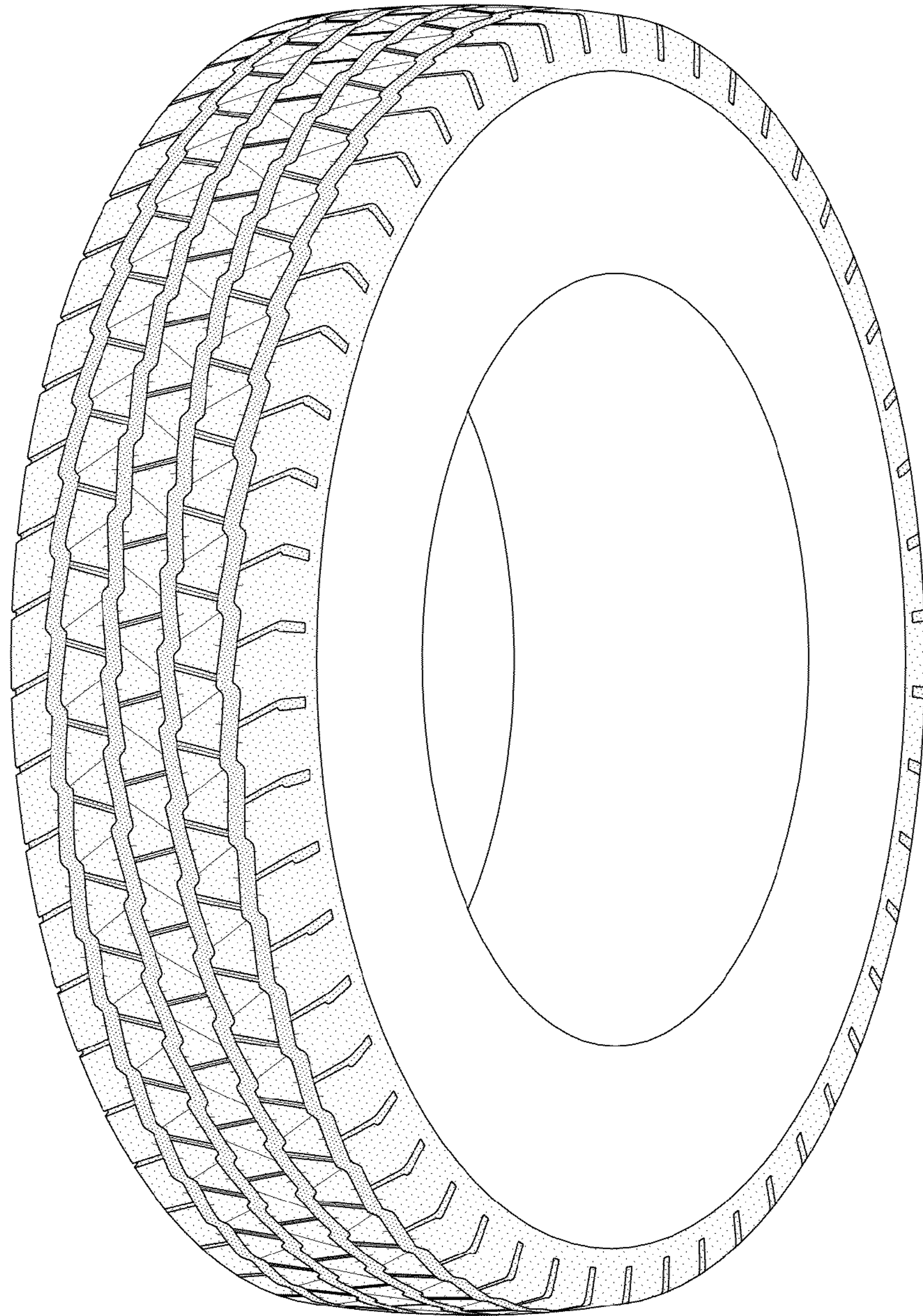


FIG-5

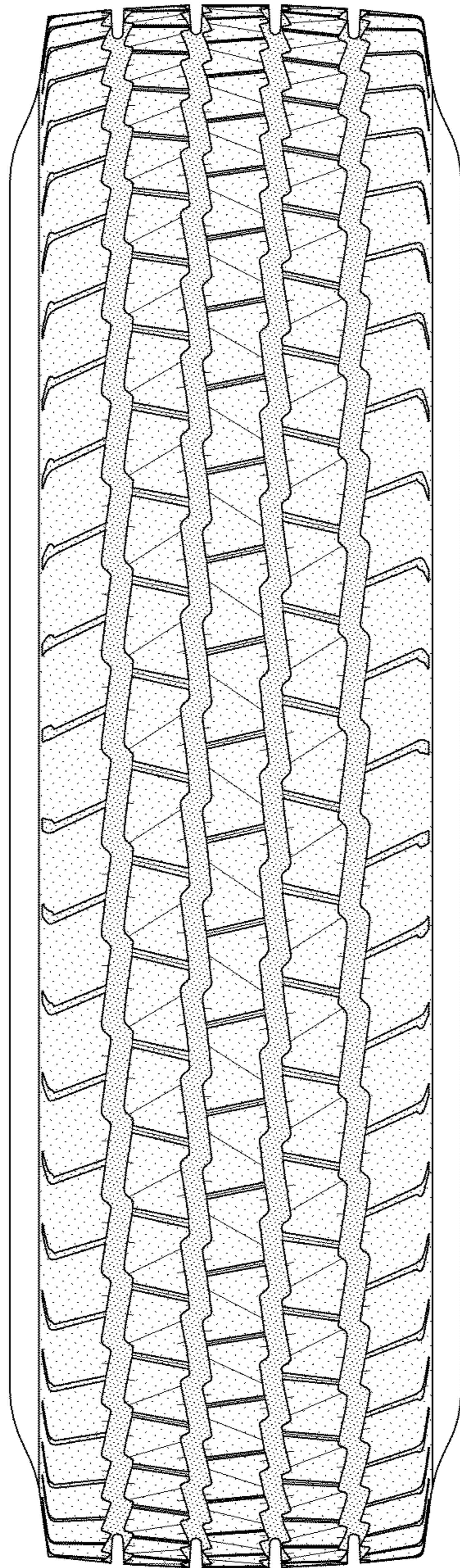


FIG-6