



US00D715214S

(12) **United States Design Patent**
Fontaine et al.

(10) **Patent No.:** **US D715,214 S**
(45) **Date of Patent:** **** Oct. 14, 2014**

- (54) **TIRE**
- (75) Inventors: **Sebastien Willy Fontaine**, Vichten (LU); **Pierre Bernard Raoul Brochet**, Itzig (LU); **Stephane Pierre Pemmers**, Arlon (BE); **Edouard Leon Hoffman**, Kehmen (LU); **Michel Jean Yves Windeshausen**, Messancy (BE); **Thomas Gesenhoff**, Trier (DE)
- (73) Assignee: **The Goodyear Tire & Rubber Company**, Akron, OH (US)
- (**) Term: **14 Years**
- (21) Appl. No.: **29/414,618**
- (22) Filed: **Mar. 1, 2012**
- (51) **LOC (10) Cl.** **12-15**
- (52) **U.S. Cl.**
USPC **D12/523**
- (58) **Field of Classification Search**
USPC D12/505-532, 900-901;
152/209.1-209.9, 209.11-209.19,
152/209.21-209.28, 455
See application file for complete search history.

D586,725 S	2/2009	Fontaine et al.	D12/519
D599,276 S	9/2009	Fontaine et al.	D12/519
D600,193 S	9/2009	Nukala et al.	D12/521
D601,939 S	10/2009	Fontaine et al.	D12/519
D607,809 S	1/2010	Fontaine et al.	D12/523
D609,161 S	2/2010	Fontaine et al.	D12/517
D612,321 S *	3/2010	Bott et al.	D12/523
D623,586 S *	9/2010	Fontaine et al.	D12/523
D630,998 S *	1/2011	Schmalix et al.	D12/519
D633,433 S	3/2011	Sieber et al.	D12/519
D634,699 S	3/2011	Fontaine et al.	D12/517
D635,911 S	4/2011	Sieber et al.	D12/521
D643,799 S *	8/2011	Berryman et al.	D12/523

(Continued)

Primary Examiner — Stacia Cadmus
(74) *Attorney, Agent, or Firm* — Richard B. O'Planick

(57) **CLAIM**
The ornamental design for a tire, as shown and described.

DESCRIPTION

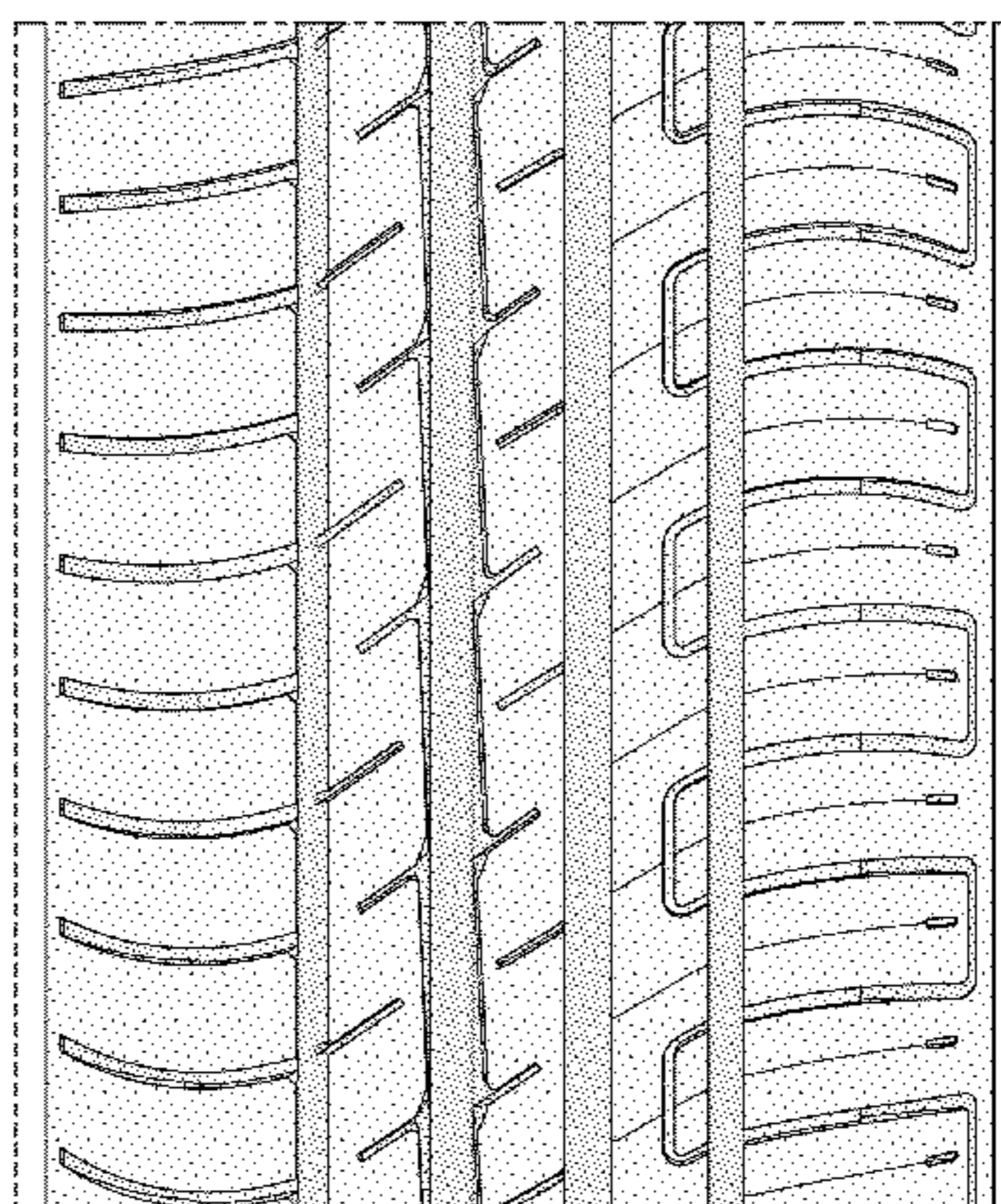
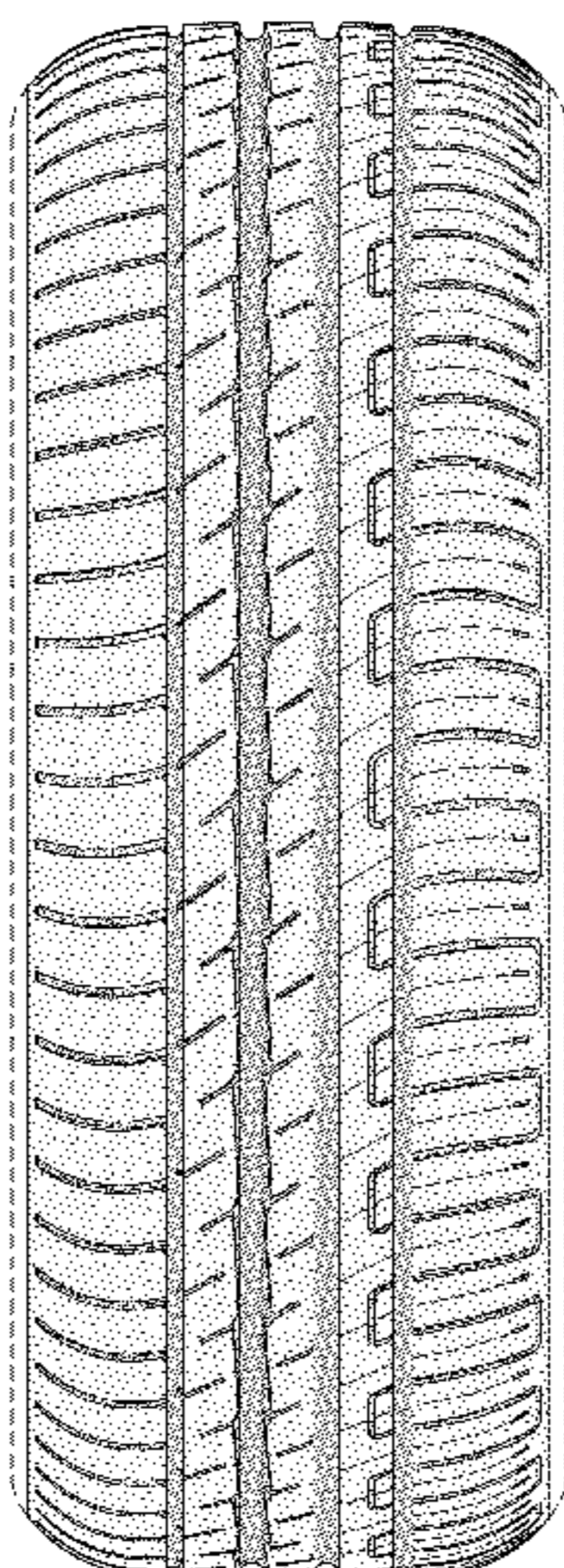
FIG. 1 is a perspective view of a tire showing our new design, it being understood that the pattern repeats uniformly throughout the circumference of the tread;
 FIG. 2 is a front elevational view thereof;
 FIG. 3 is a right side elevational view thereof;
 FIG. 4 is a left side elevational view thereof;
 FIG. 5 is an enlarged fragmentary front elevational view thereof;
 FIG. 6 is a perspective view of a second embodiment of a tire showing our new design, it being understood that the pattern repeats uniformly throughout the circumference of the tread; and,
 FIG. 7 is a front elevational view of a second embodiment, it being understood that an enlarged fragmentary view thereof would be substantially identical to that shown in FIG. 5, with the exception of the inclusion of the sidewall in solid lines.
 In the drawings, the broken lines showing of the sidewall, inner bead and the peripheral boundary between the tire tread and the sidewall in FIGS. 1 through 5 depict environmental subject matter and form no part of the claimed design.

1 Claim, 7 Drawing Sheets

(56) **References Cited**

U.S. PATENT DOCUMENTS

D334,360 S	3/1993	Graas et al.	D12/146
D423,422 S	4/2000	Selover et al.	D12/146
D432,956 S	10/2000	Ricquet	D12/141
D451,440 S	12/2001	Weber	D12/146
D451,441 S	12/2001	Weber	D12/146
D453,729 S	2/2002	Demagall et al.	D12/523
D470,101 S	2/2003	Heinen	D12/584
D482,323 S	11/2003	Corbin et al.	D12/584
D490,045 S	5/2004	Delu et al.	D12/519
D558,126 S	12/2007	Shavers et al.	D12/519
D558,127 S	12/2007	Shavers et al.	D12/519
D559,767 S	1/2008	Graas et al.	D12/521
D577,655 S	9/2008	Heinen	D12/521
D578,955 S	10/2008	Fontaine et al.	D12/524
D584,213 S	1/2009	Shinkai	D12/519



US D715,214 S

Page 2

(56)

References Cited

U.S. PATENT DOCUMENTS

D644,593 S	9/2011	Fontaine et al.	D12/523	
D668,203 S	* 10/2012	Rittweger et al.	D12/521	* cited by examiner
D668,598 S	* 10/2012	Hughes et al.	D12/521	
D692,371 S	* 10/2013	Fontaine et al.	D12/517	
D696,182 S	* 12/2013	Sakamoto	D12/519	

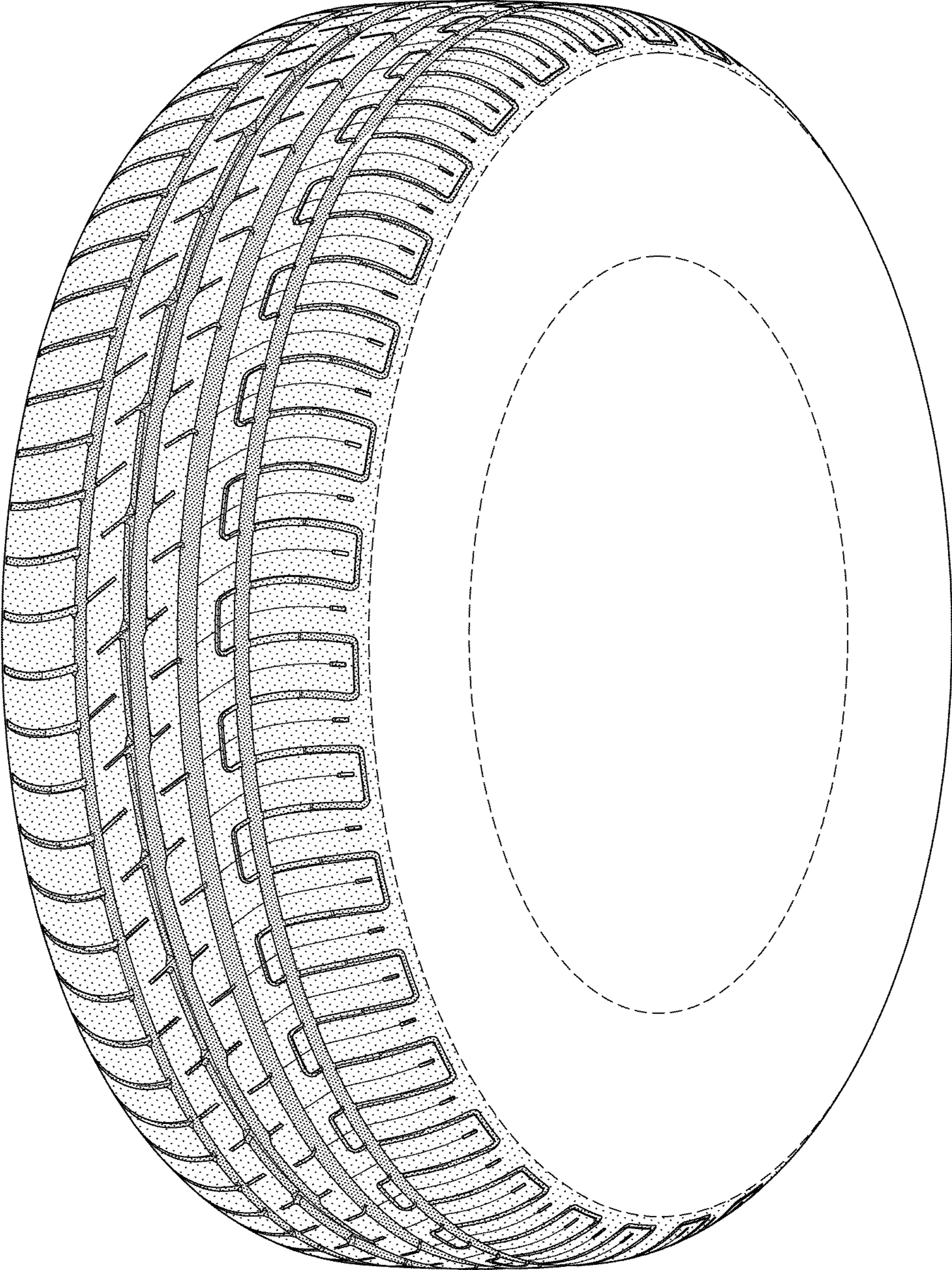


FIG-1

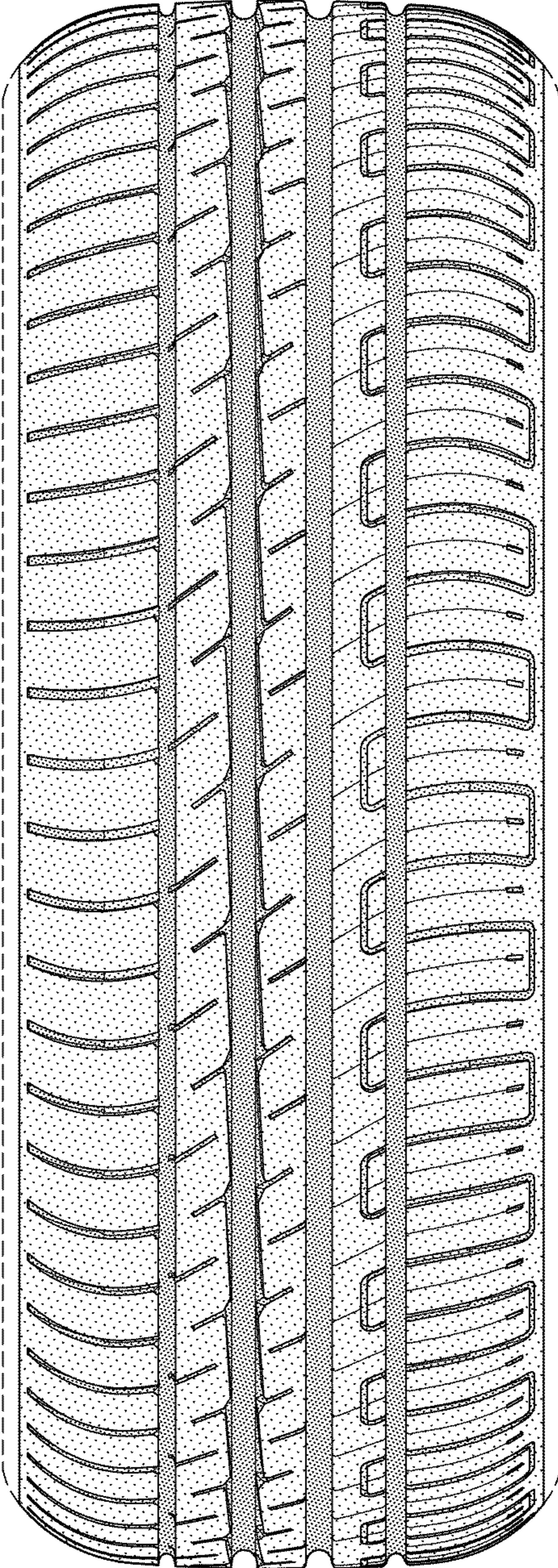


FIG-2

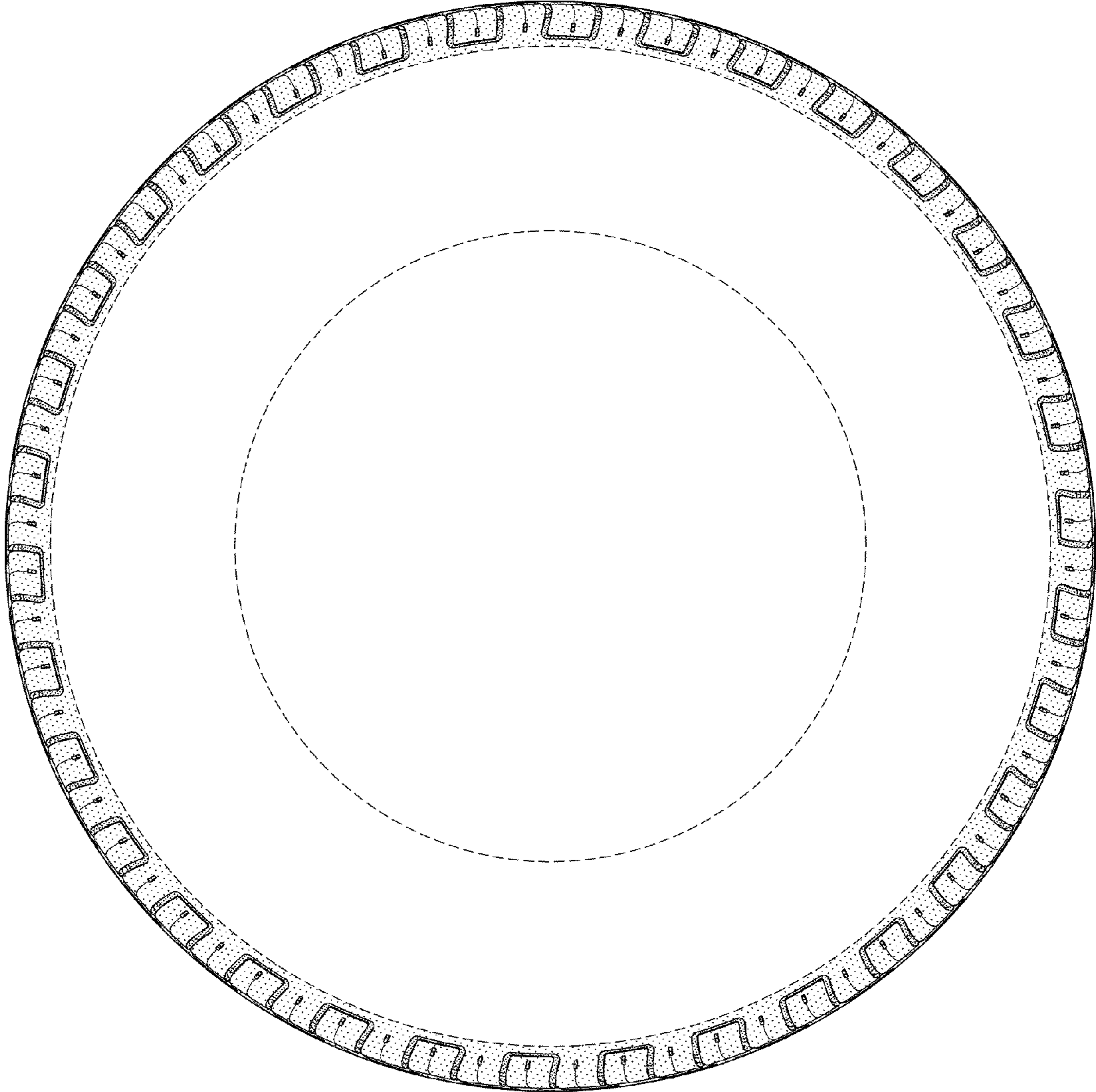


FIG-3

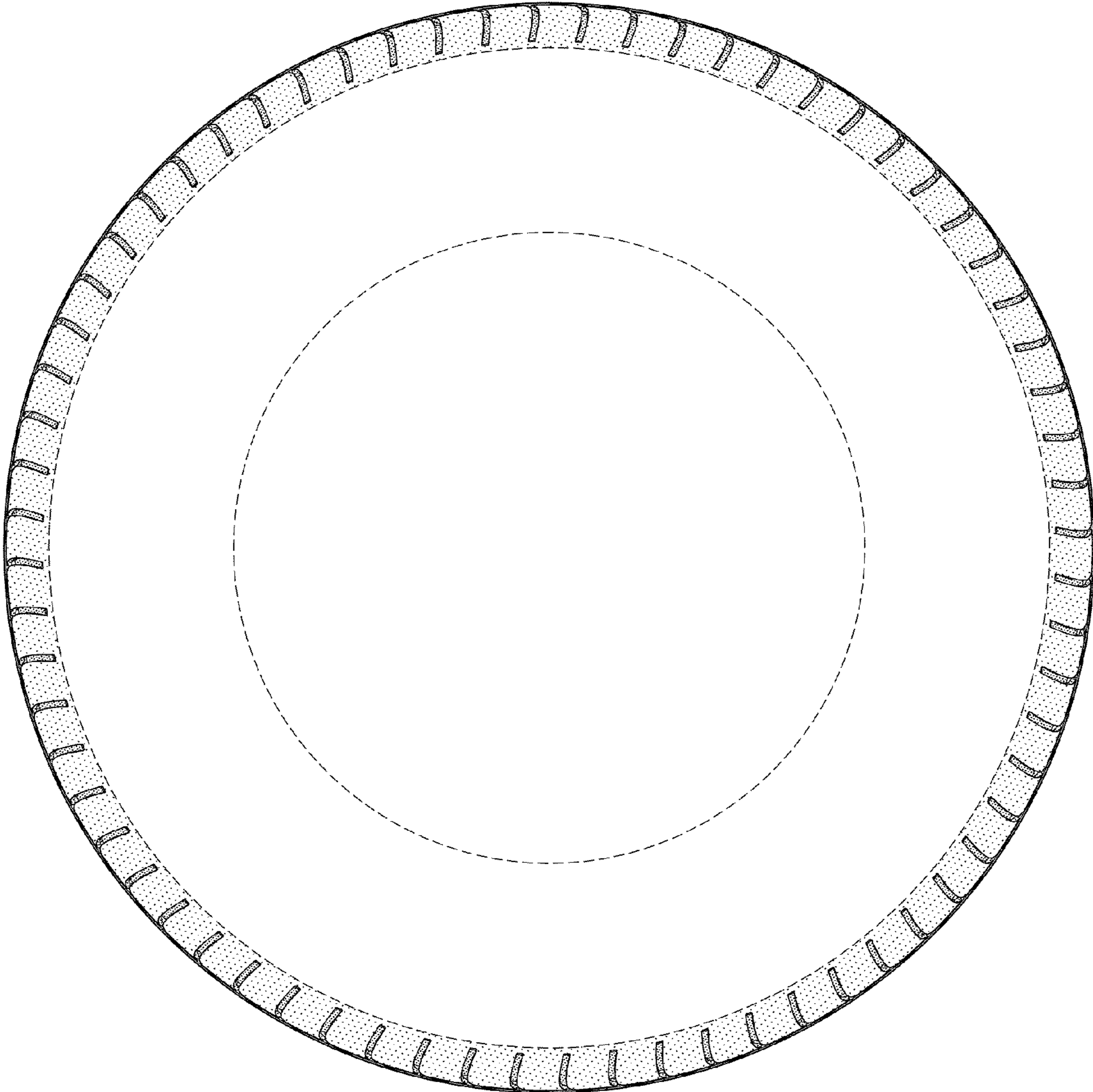


FIG-4

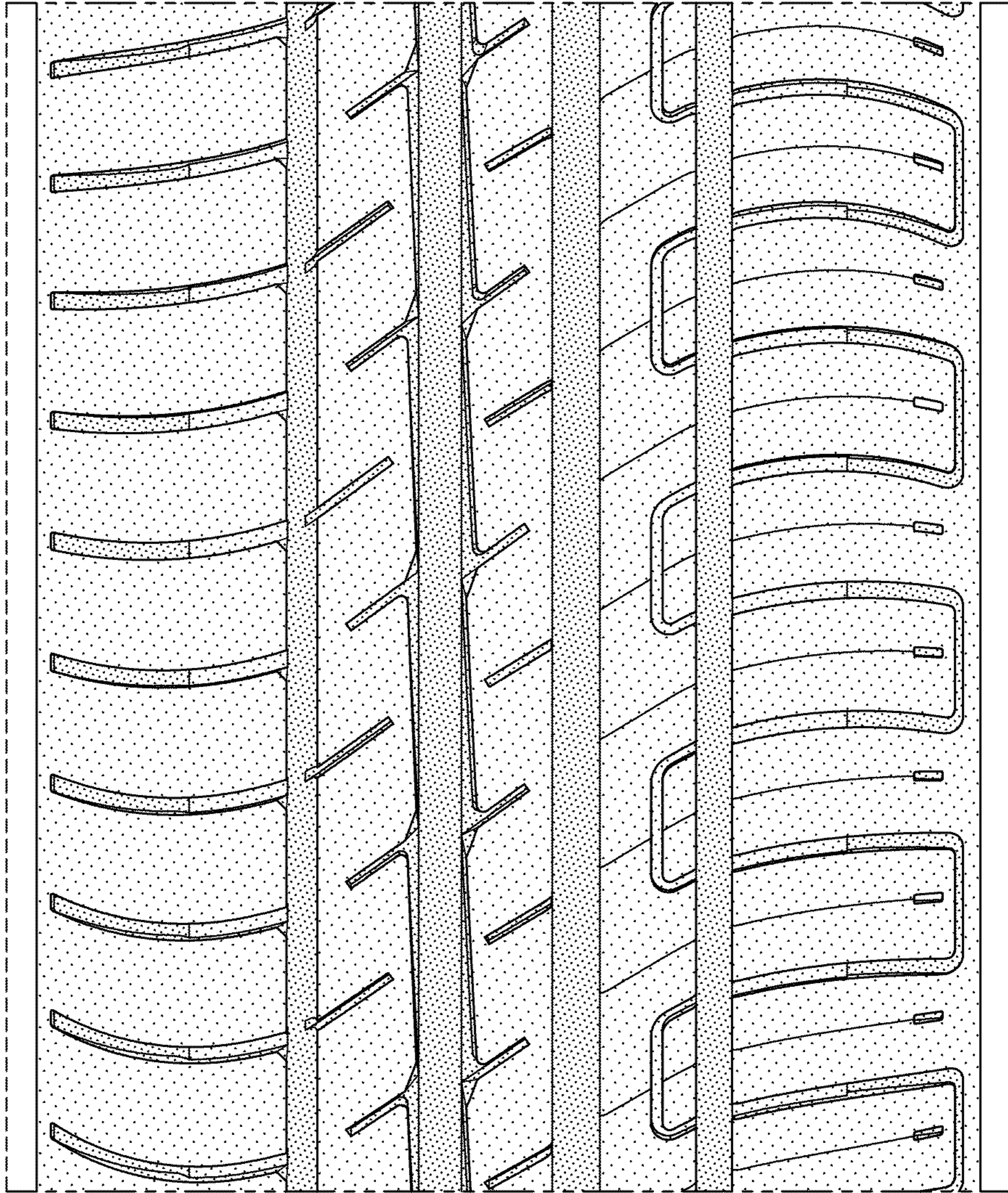


FIG-5

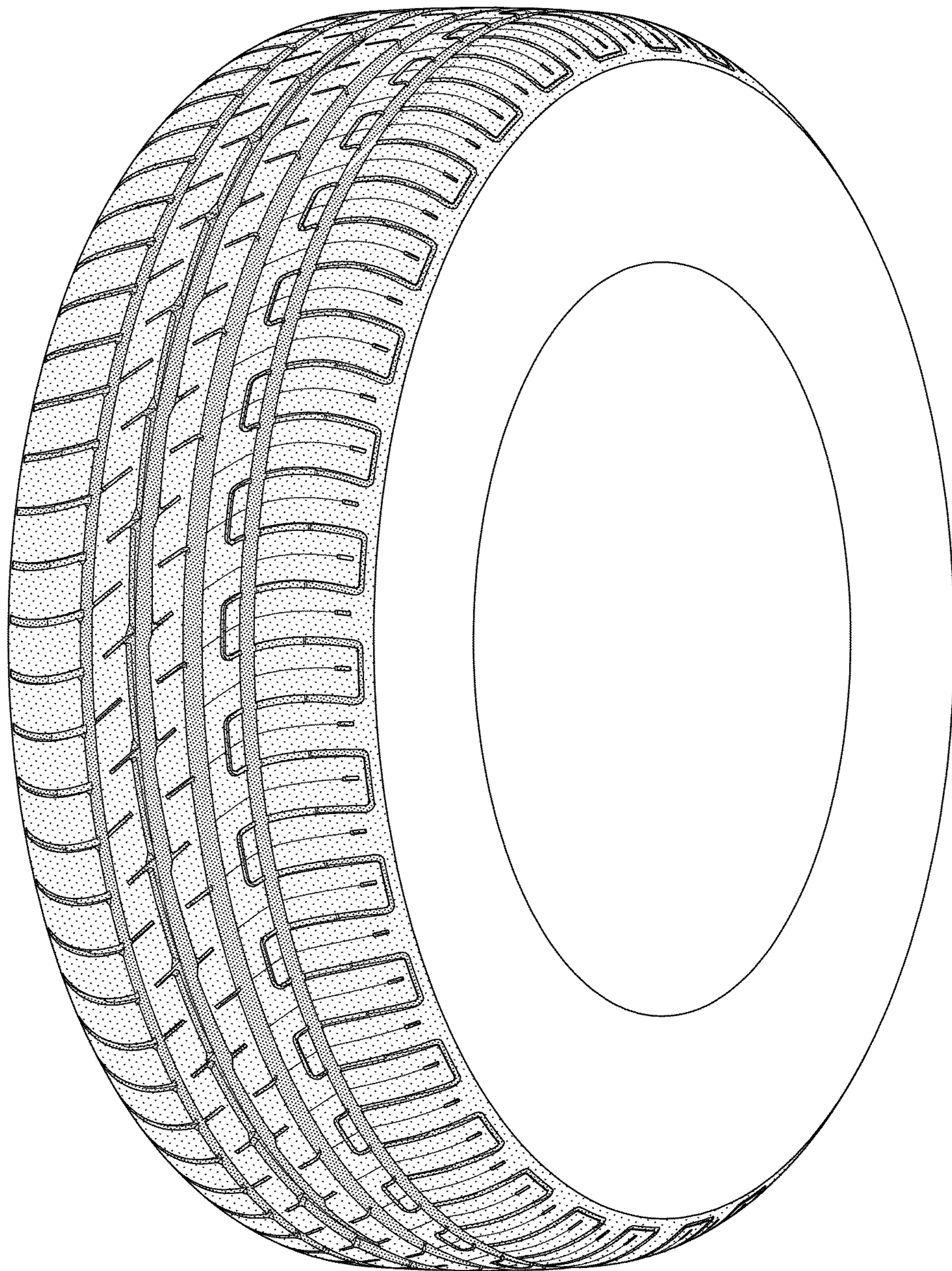


FIG-6

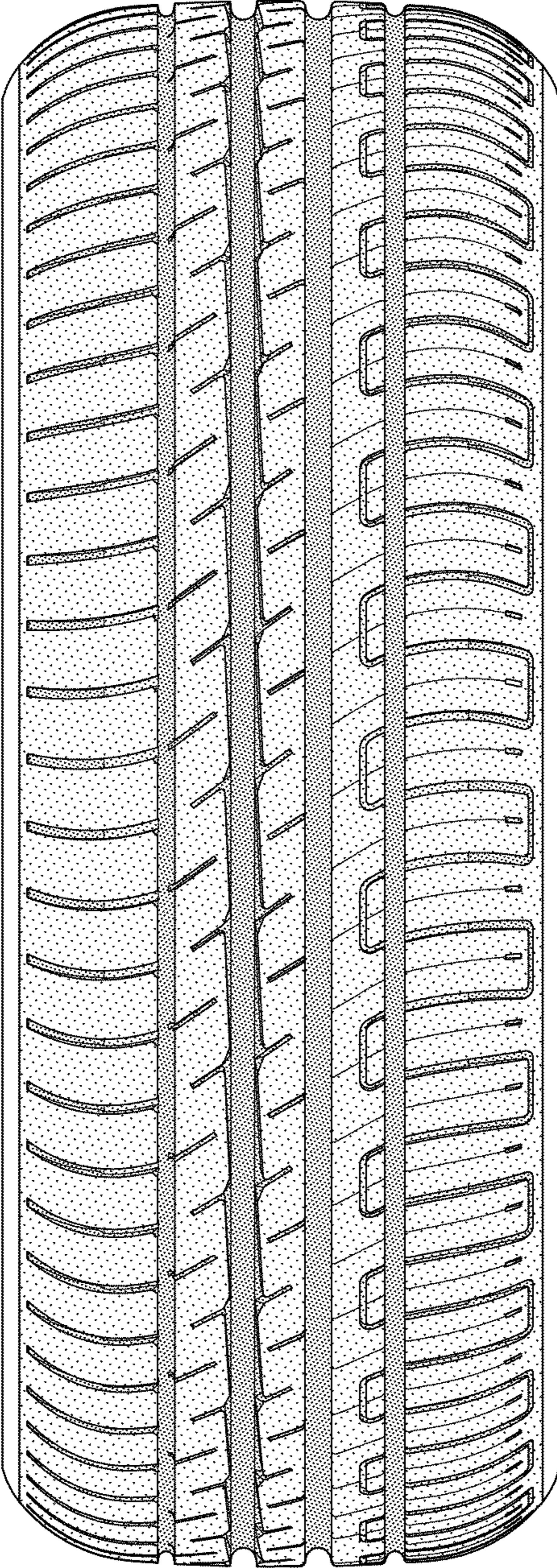


FIG-7