



US00D715213S

(12) **United States Design Patent**
Laverack et al.

(10) **Patent No.:** **US D715,213 S**
(45) **Date of Patent:** **** Oct. 14, 2014**

(54) **SKI CARRIER**

D658,566 S * 5/2012 Gros D12/406

(75) Inventors: **John R. Laverack**, Southbury, CT (US);
Gregor G. Weaver, Waterbury, CT (US)

* cited by examiner

(73) Assignee: **Thule Sweden AB**, Hillerstorp (SE)

Primary Examiner — Katrina A Betton

(**) Term: **14 Years**

(74) *Attorney, Agent, or Firm* — Novak Druce Connolly
Bove + Quigg LLP

(21) Appl. No.: **29/428,344**

(57) **CLAIM**

(22) Filed: **Jul. 30, 2012**

We claim the ornamental design for a ski carrier, as shown and described.

(51) **LOC (10) Cl.** **12-16**

(52) **U.S. Cl.**
USPC **D12/406**

DESCRIPTION

(58) **Field of Classification Search**
USPC D12/401–414; 280/814; 296/140;
224/309, 327, 328, 321, 401, 402, 488,
224/493, 315

FIG. 1 is a perspective view of a ski carrier;
FIG. 2 is a right side elevational view thereof; (the left side of the design is a mirror image of the right side, and is therefore not shown);
FIG. 3 is a front elevational view thereof;
FIG. 4 is a rear elevational view thereof;
FIG. 5 is a top plan view thereof; and,
FIG. 6 is a bottom plan view thereof.
The features shown in broken lines form no part of the claimed design.

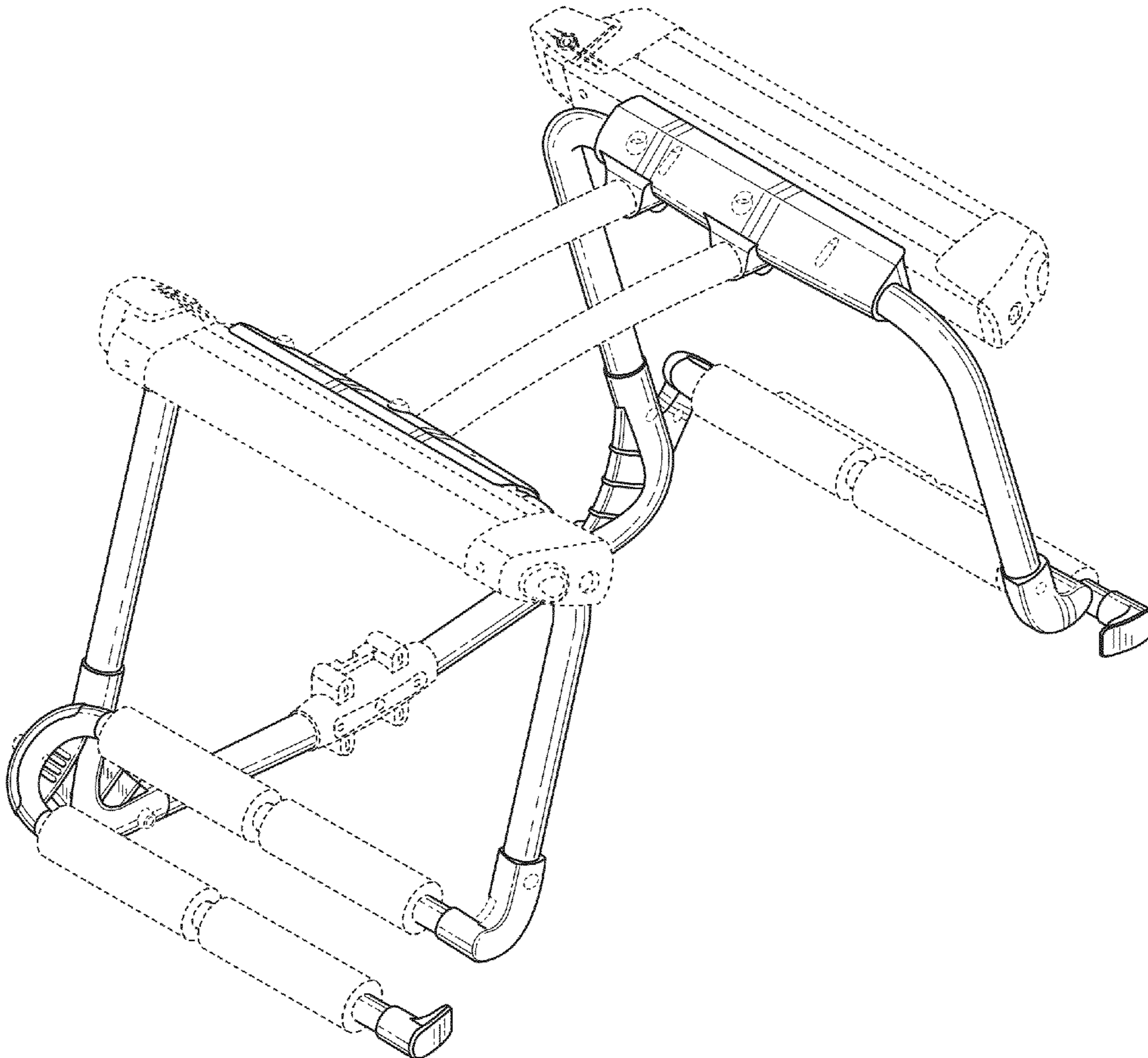
See application file for complete search history.

(56) **References Cited**

U.S. PATENT DOCUMENTS

D523,389 S * 6/2006 Ezra D12/406
D537,771 S * 3/2007 Pflieger D12/406
D548,671 S * 8/2007 Ezra D12/406

1 Claim, 6 Drawing Sheets



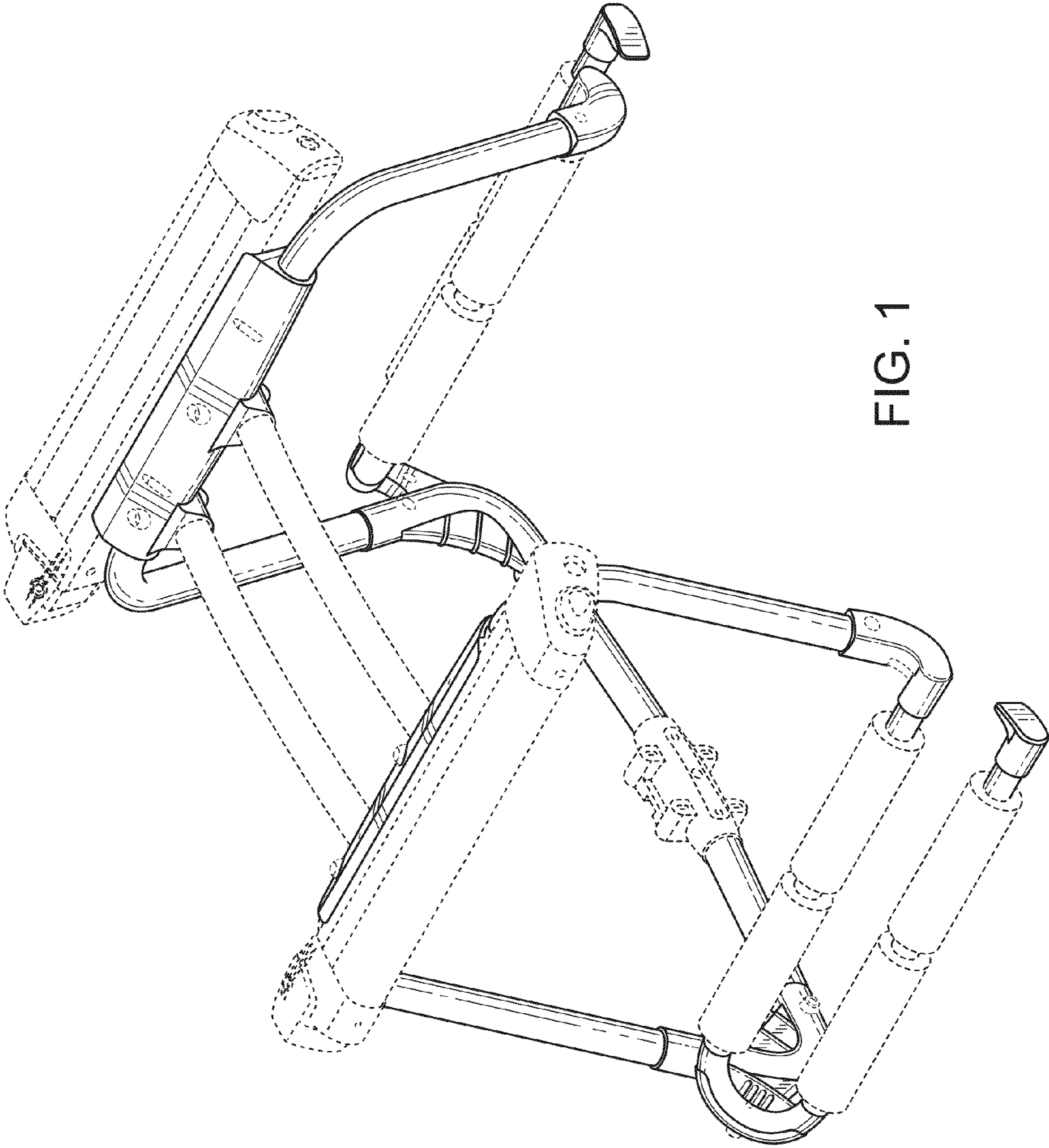


FIG. 1

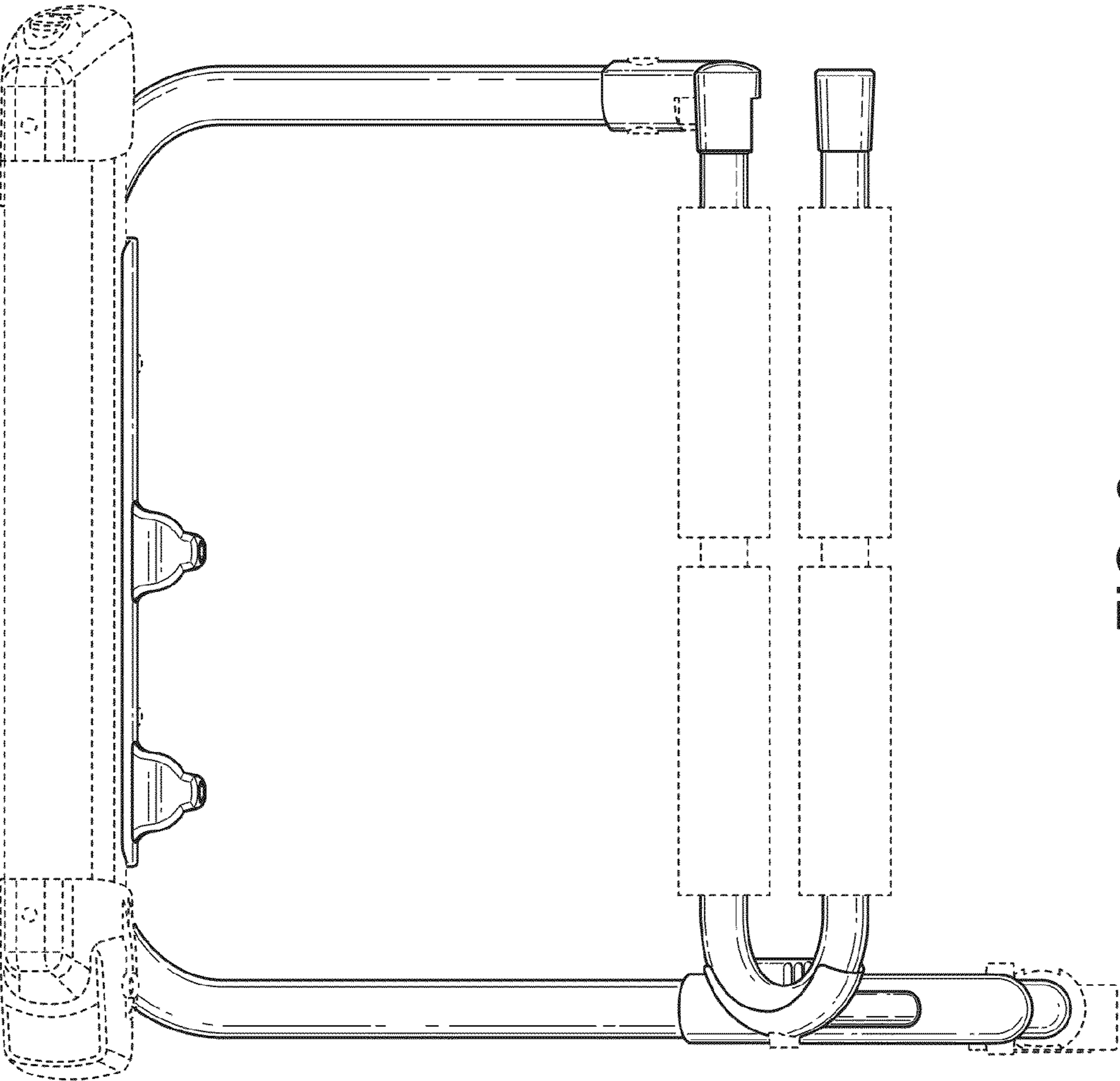


FIG. 2

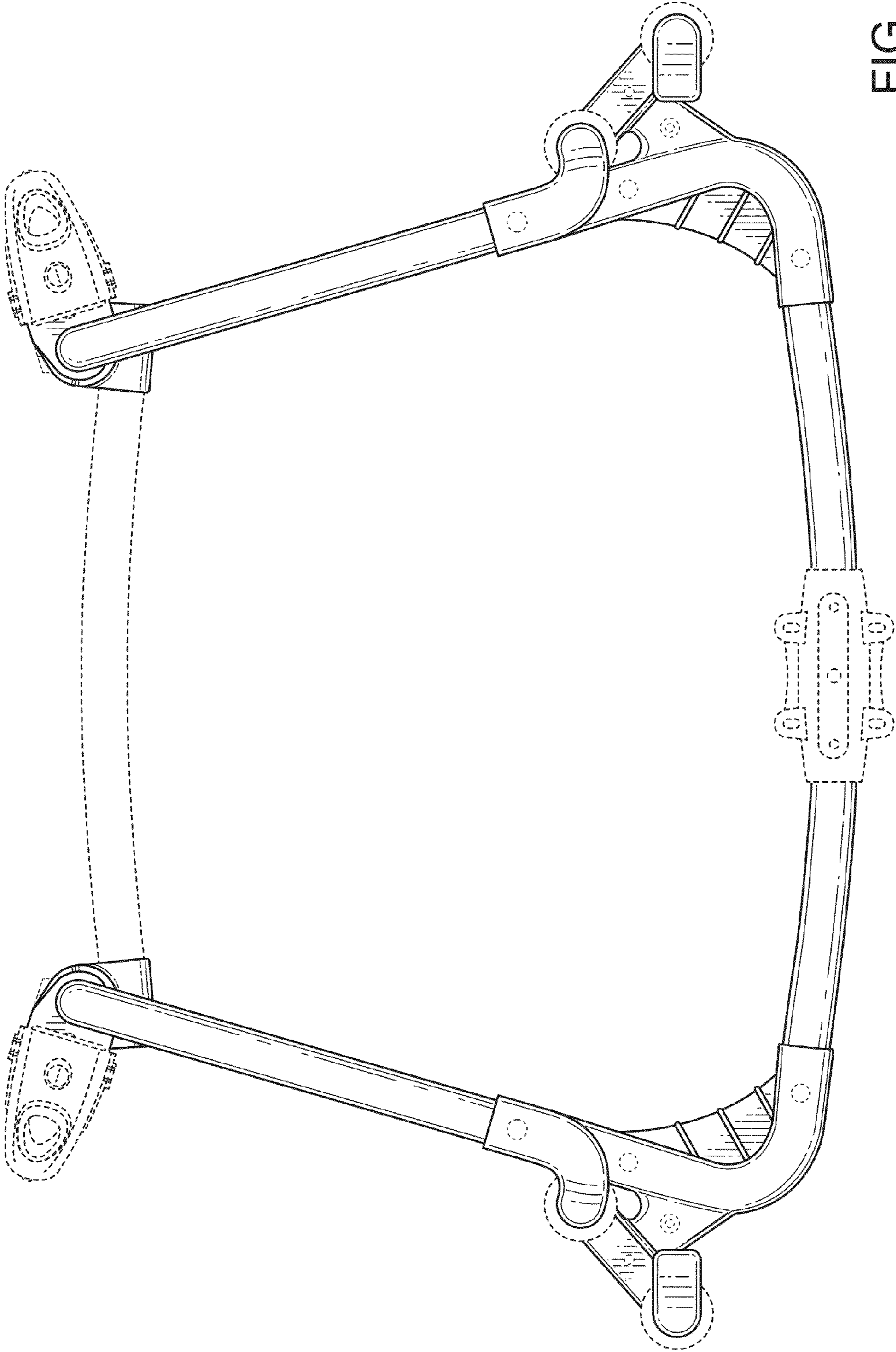


FIG. 3

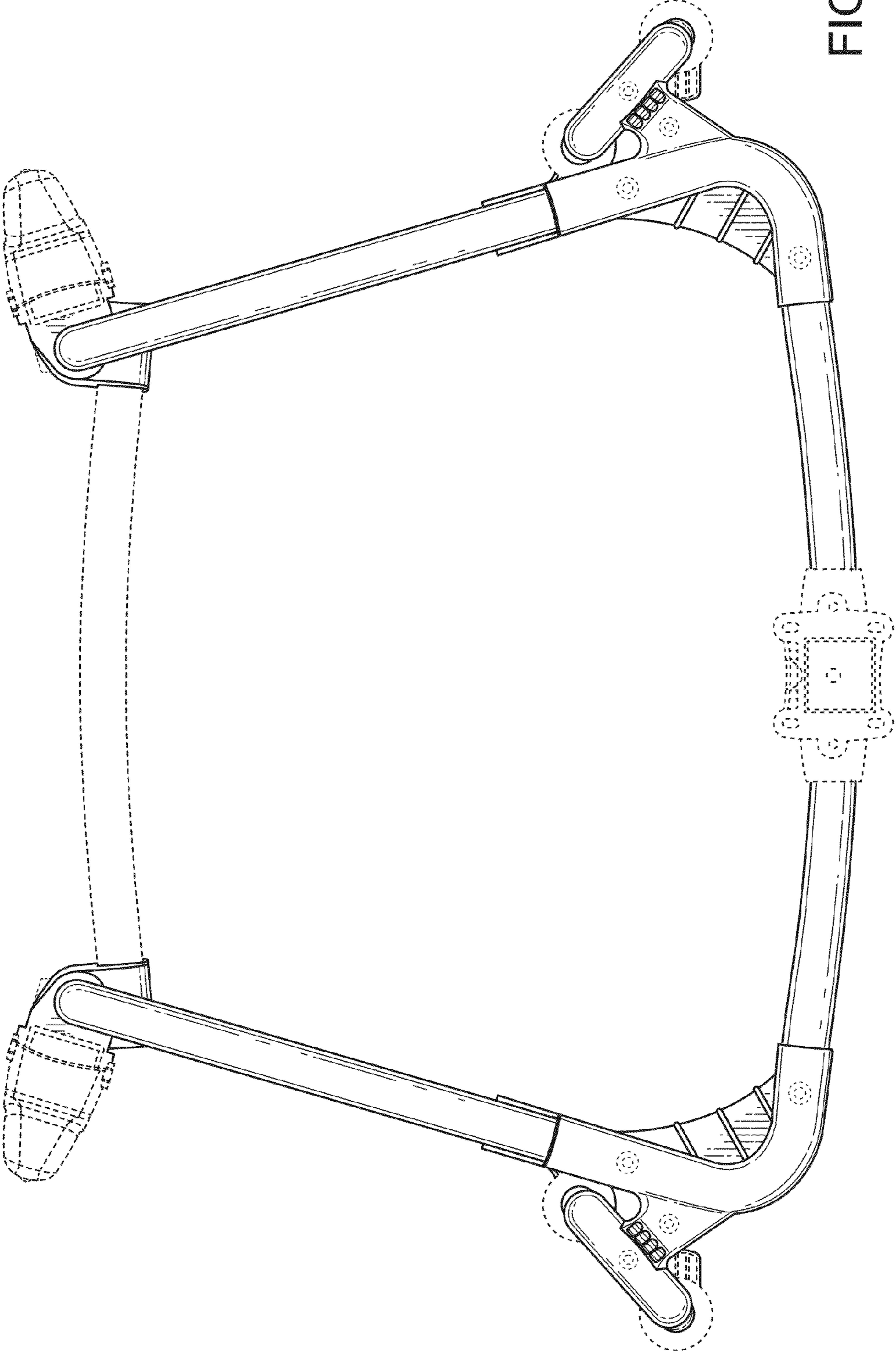


FIG. 4

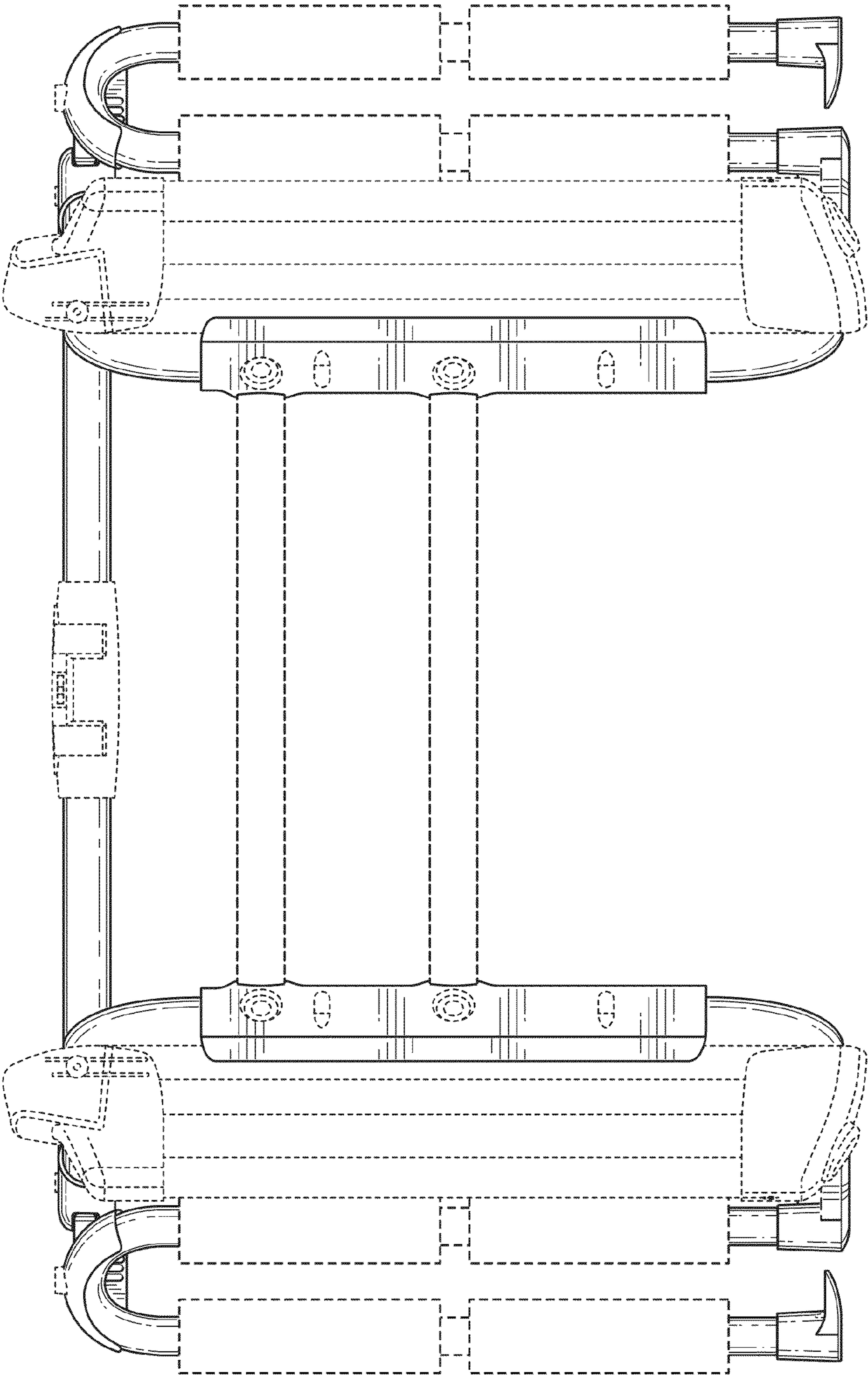


FIG. 5

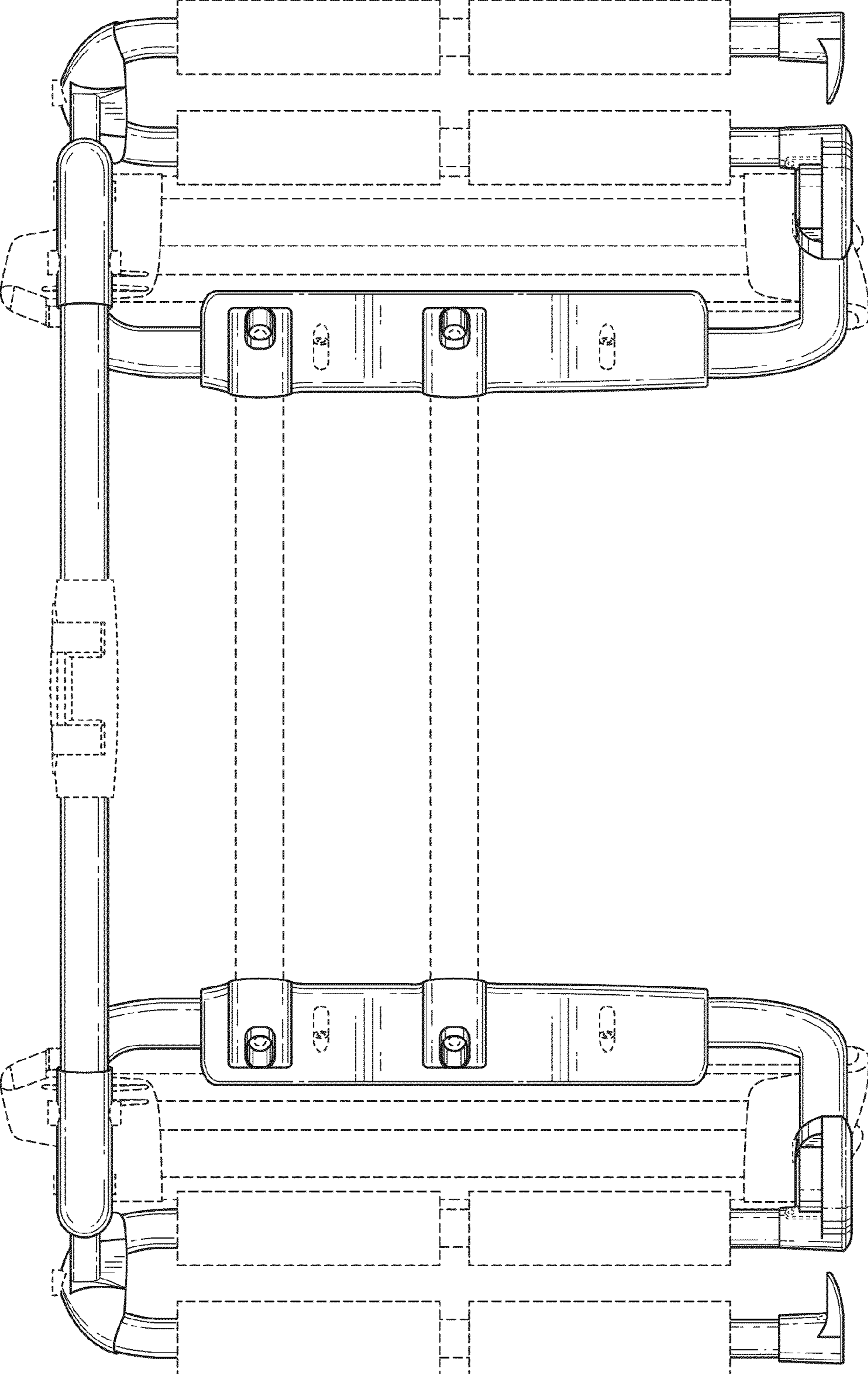


FIG. 6