



US00D715210S

(12) **United States Design Patent**
Wolff et al.

(10) **Patent No.:** **US D715,210 S**

(45) **Date of Patent:** **** Oct. 14, 2014**

(54) **VEHICLE WHEEL**

(71) Applicant: **Ford Motor Company**, Dearborn, MI (US)

(72) Inventors: **Max Wolff**, Birmingham, MI (US);
James Everett Grake, Beverly Hills, MI (US); **George Bucher**, Dearborn, MI (US); **Soohyoung Kim**, Northville, MI (US)

(73) Assignee: **Ford Motor Company**, Dearborn, MI (US)

(**) Term: **14 Years**

(21) Appl. No.: **29/480,143**

(22) Filed: **Jan. 23, 2014**

(51) **LOC (10) Cl.** **12-16**

(52) **U.S. Cl.**
USPC **D12/211**

(58) **Field of Classification Search**
CPC B60B 7/00; B60B 7/02; B60B 7/04;
B60B 7/01; B60B 7/06; B60B 3/04; B60B 3/10;
B60B 3/06; B60B 3/02; B60B 1/00; B60B 1/10;
B60B 1/08; B60B 1/12
USPC D12/204-213
See application file for complete search history.

(56) **References Cited**

U.S. PATENT DOCUMENTS

D479,178 S * 9/2003 Lai D12/211
D509,467 S * 9/2005 Gabath D12/211

D522,954 S * 6/2006 Hueller D12/211
D523,801 S * 6/2006 Madden D12/211
D578,053 S * 10/2008 Neeper D12/211
D620,870 S * 8/2010 Powell D12/211
D628,136 S * 11/2010 Leclercq D12/211
D635,499 S * 4/2011 Nissl D12/211
D639,224 S * 6/2011 Szews D12/211
D639,227 S * 6/2011 Leclercq D12/211
D658,107 S * 4/2012 Pollmann et al. D12/211
D667,771 S * 9/2012 Clottu D12/211
D670,636 S * 11/2012 Juergens et al. D12/211
D673,103 S * 12/2012 Song et al. D12/211
D682,763 S * 5/2013 Song et al. D12/211
D683,297 S * 5/2013 Juergens et al. D12/211
D683,685 S * 6/2013 Pollmann D12/211
D685,312 S * 7/2013 Zhao D12/211
D695,198 S * 12/2013 Juergens et al. D12/211
D697,017 S * 1/2014 Holstein D12/211

* cited by examiner

Primary Examiner — Stacia Cadmus

(74) *Attorney, Agent, or Firm* — Damian Porcari

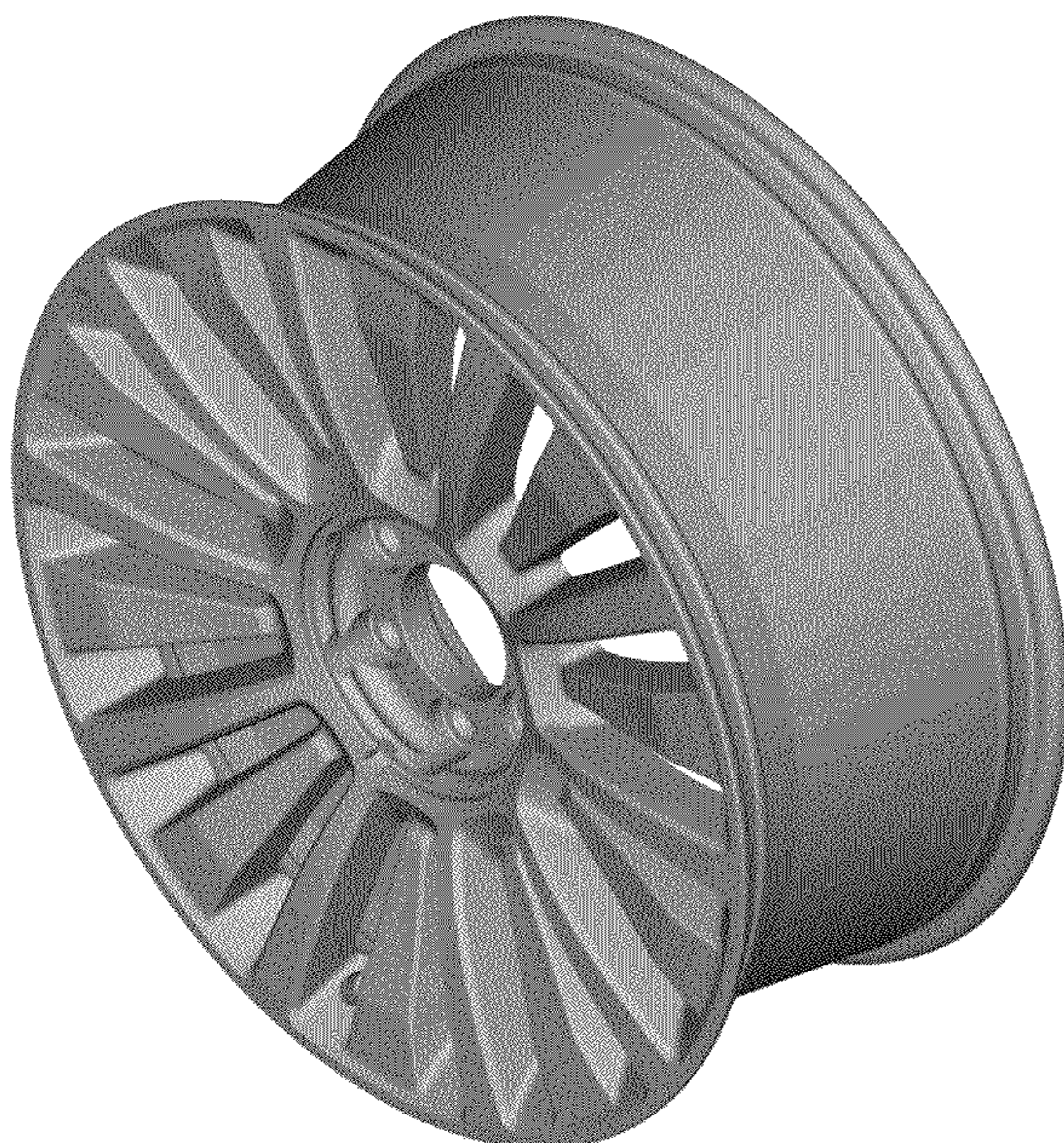
(57) **CLAIM**

The ornamental design for a vehicle wheel, as shown and described.

DESCRIPTION

FIG. 1 is a perspective view of a vehicle wheel; and, FIG. 2 is a front view thereof.

1 Claim, 2 Drawing Sheets



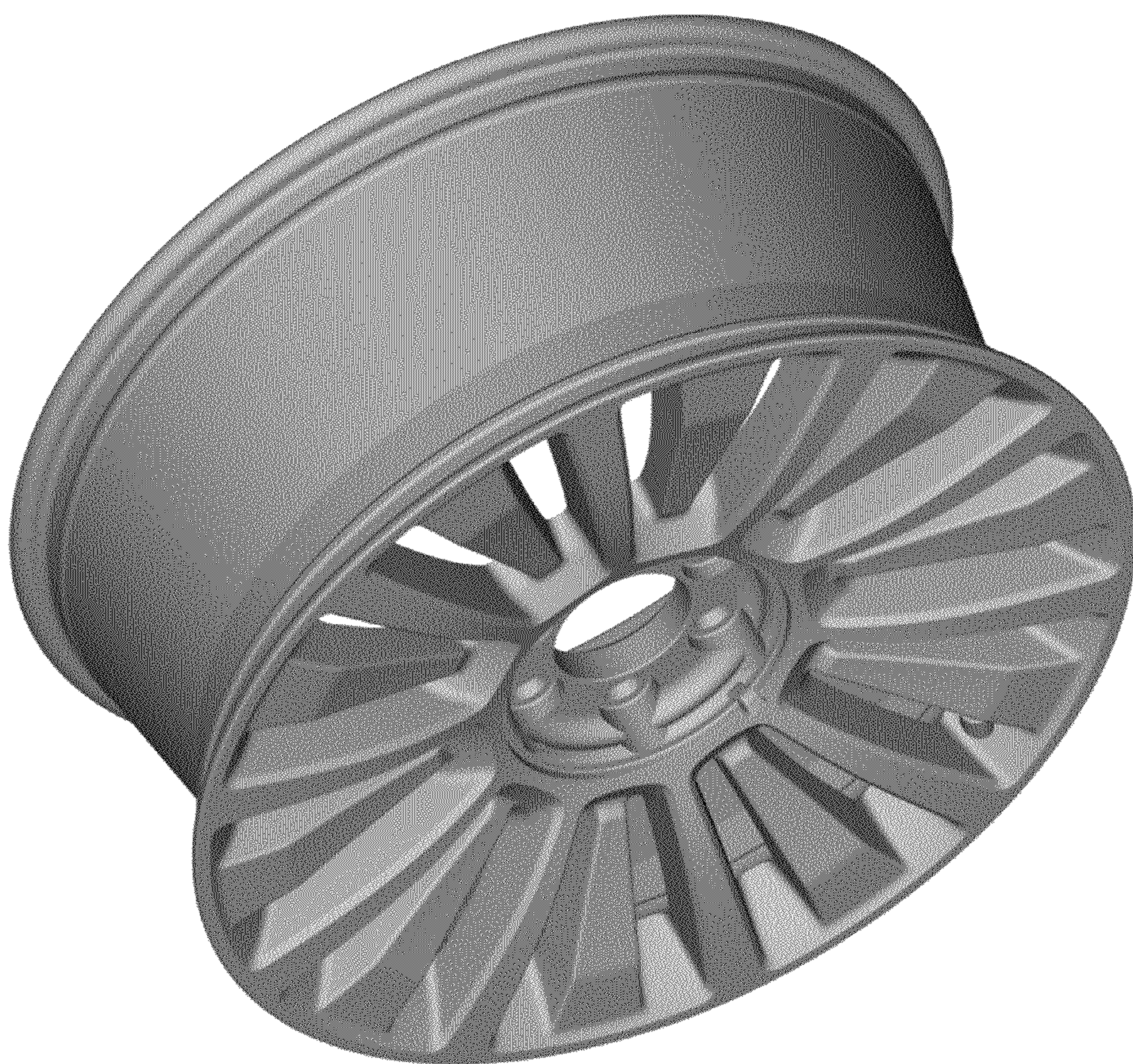


Figure 1



Figure 2