



US00D715208S

(12) **United States Design Patent**
Grake et al.

(10) **Patent No.:** **US D715,208 S**
(45) **Date of Patent:** **** Oct. 14, 2014**

(54) **VEHICLE WHEEL**

- (71) Applicant: **Ford Motor Company**, Dearborn, MI (US)
- (72) Inventors: **James E. Grake**, Beverly Hills, MI (US); **George Bucher**, Dearborn, MI (US); **Michael Smith**, Plymouth, MI (US); **Joel Piaskowski**, West Bloomfield, MI (US)
- (73) Assignee: **Ford Motor Company**, Dearborn, MI (US)
- (**) Term: **14 Years**
- (21) Appl. No.: **29/482,375**
- (22) Filed: **Feb. 18, 2014**
- (51) **LOC (10) Cl.** **12-16**
- (52) **U.S. Cl.**
USPC **D12/209; D12/204**
- (58) **Field of Classification Search**
CPC B60B 7/00; B60B 7/02; B60B 7/04; B60B 7/01; B60B 7/06; B60B 3/04; B60B 3/10; B60B 3/06; B60B 3/02; B60B 1/00; B60B 1/08; B60B 1/10; B60B 1/12
USPC D12/204-213
See application file for complete search history.

(56) **References Cited**

U.S. PATENT DOCUMENTS

D438,165 S *	2/2001	Echazabal	D12/211
D459,691 S *	7/2002	Takechi	D12/211
D461,155 S *	8/2002	Takechi	D12/209
D466,462 S *	12/2002	Lee	D12/209
D488,762 S *	4/2004	Cahyono	D12/209
D523,386 S *	6/2006	Khan	D12/209
D524,219 S *	7/2006	Scheu	D12/211
D531,562 S *	11/2006	Kim	D12/209
D577,323 S *	9/2008	Chung	D12/211
D592,118 S *	5/2009	Chung	D12/209
D614,109 S *	4/2010	Tant et al.	D12/211
D614,111 S *	4/2010	Tant et al.	D12/211
D620,421 S *	7/2010	Lamm et al.	D12/209
D667,355 S *	9/2012	Gotschke	D12/209
D689,000 S *	9/2013	Platto et al.	D12/209
D706,695 S *	6/2014	Platto et al.	D12/209
D706,699 S *	6/2014	Platto et al.	D12/211
D706,700 S *	6/2014	Platto et al.	D12/211

* cited by examiner

Primary Examiner — Stacia Cadmus

(74) *Attorney, Agent, or Firm* — Damian Porcari

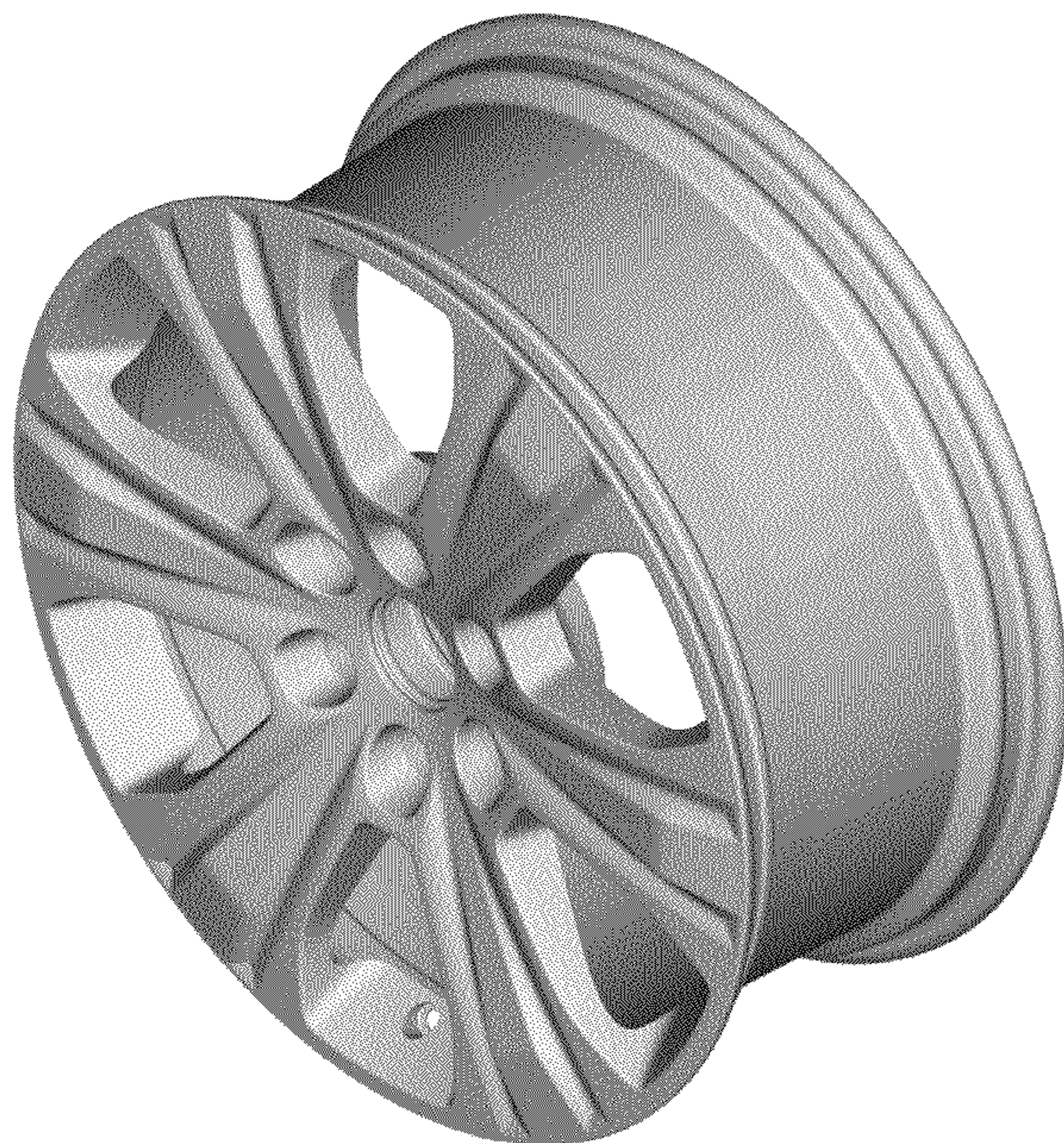
(57) **CLAIM**

The ornamental design for a vehicle wheel, as shown and described.

DESCRIPTION

FIG. 1 is a perspective view of a vehicle wheel; and, FIG. 2 is a front view thereof.

1 Claim, 2 Drawing Sheets



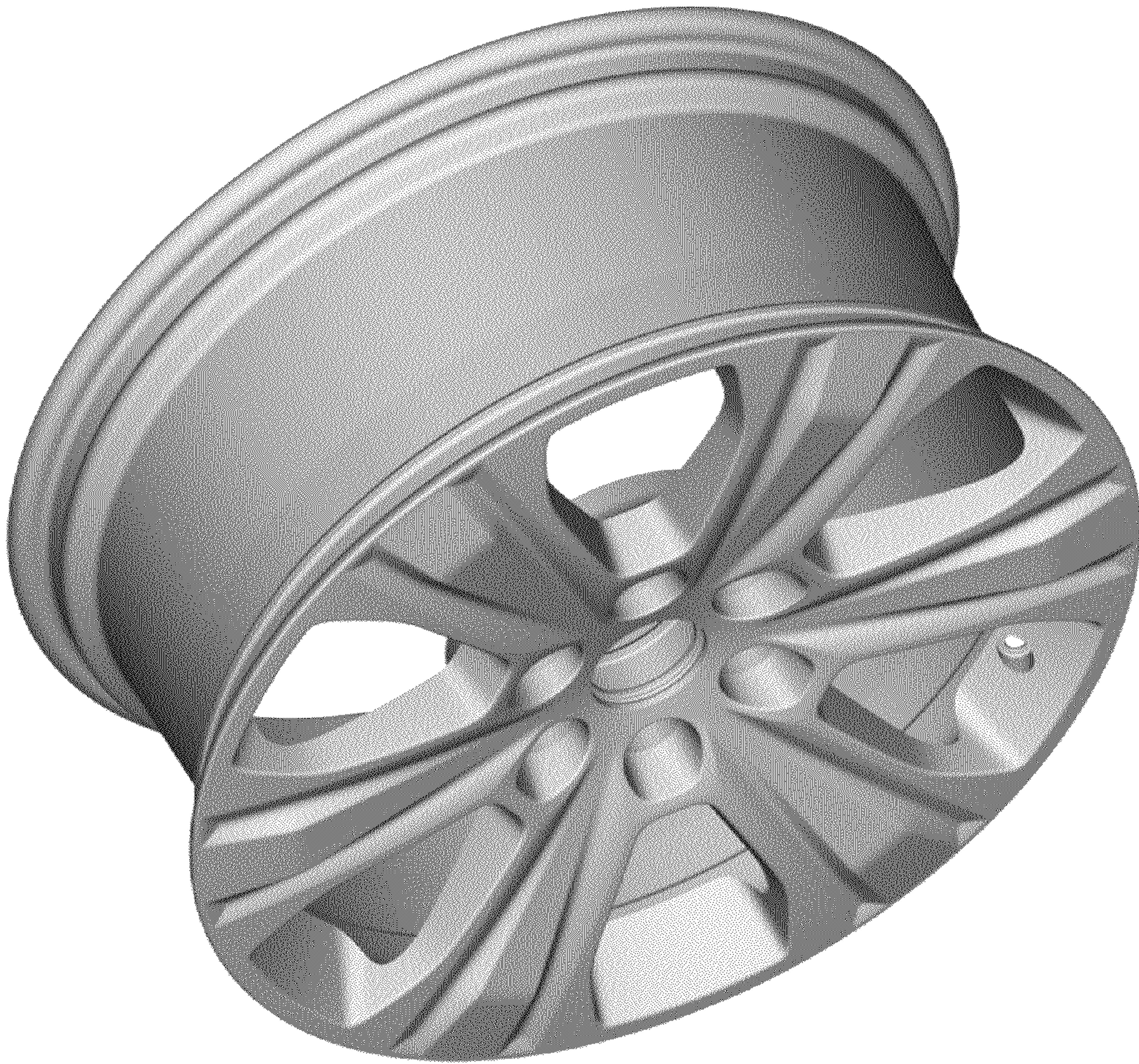


Figure 1



Figure 2