



US00D715203S

(12) **United States Design Patent**
Spencer et al.

(10) **Patent No.:** **US D715,203 S**
(45) **Date of Patent:** **** Oct. 14, 2014**

(54) **LICENSE PLATE FRAME**

(71) Applicant: **Cruiser Accessories, LLC**, Monument, CO (US)

(72) Inventors: **Todd Spencer**, Monument, CO (US); **Eldon Goates**, Colorado Springs, CO (US); **Bret Zelenka**, Monument, CO (US); **Michael J. Schwartz**, Colorado Springs, CO (US)

(73) Assignee: **Cruiser Accessories, LLC**, Monument, CO (US)

(**) Term: **14 Years**

(21) Appl. No.: **29/442,707**

(22) Filed: **Apr. 24, 2013**

(51) **LOC (10) Cl.** **12-16**

(52) **U.S. Cl.**
USPC **D12/193**

(58) **Field of Classification Search**
USPC D12/193; D6/300, 301, 302, 310, 311, D6/312, 313, 314; D20/13; 40/200, 201, 40/202, 203, 204, 207-214; 348/148, 373
See application file for complete search history.

(56) **References Cited**

U.S. PATENT DOCUMENTS

D354,087 S * 1/1995 Dunlap et al. D12/193
D367,459 S * 2/1996 Spencer D12/193

(Continued)

Primary Examiner — Deanna L Pratt

Assistant Examiner — Natasha Vujcic

(74) *Attorney, Agent, or Firm* — Linda Flewellen Gould

(57) **CLAIM**

The ornamental design for a license plate frame, as shown and described.

DESCRIPTION

FIG. 1 is a perspective front view showing our new design for a license plate frame.

FIG. 2 is a magnified view of a portion of the license plate frame shown in FIG. 1.

FIG. 3 is a front view of the license plate frame of the present invention.

FIG. 4 is a back view of the license plate frame of the present invention.

FIG. 5 is a right side view of the license plate frame of the present invention, the left side view being the mirror image thereof.

FIG. 6 is a top view of the license plate frame of the present invention, the bottom view being the mirror image thereof.

FIG. 7 is a perspective front view of an alternative configuration of our design for a license plate frame, with the outer row of ornamentation moved closer to the inner row of ornamentation than in the configuration shown in FIG. 1.

FIG. 8 is a magnified view of a portion of the license plate frame shown in FIG. 7.

FIG. 9 is a front view of the license plate frame shown in FIG. 7.

FIG. 10 is a back view of the license plate frame shown in FIG. 7.

FIG. 11 is a right side view of the license plate frame shown in FIG. 7, the left side view being the mirror image thereof.

FIG. 12 is a top view of the license plate frame shown in FIG. 7, the bottom view being the mirror image thereof.

FIG. 13 is a perspective front view showing a second alternate configuration of our design for a license plate frame, with an inner row of ornamentation appearing continuously around the frame.

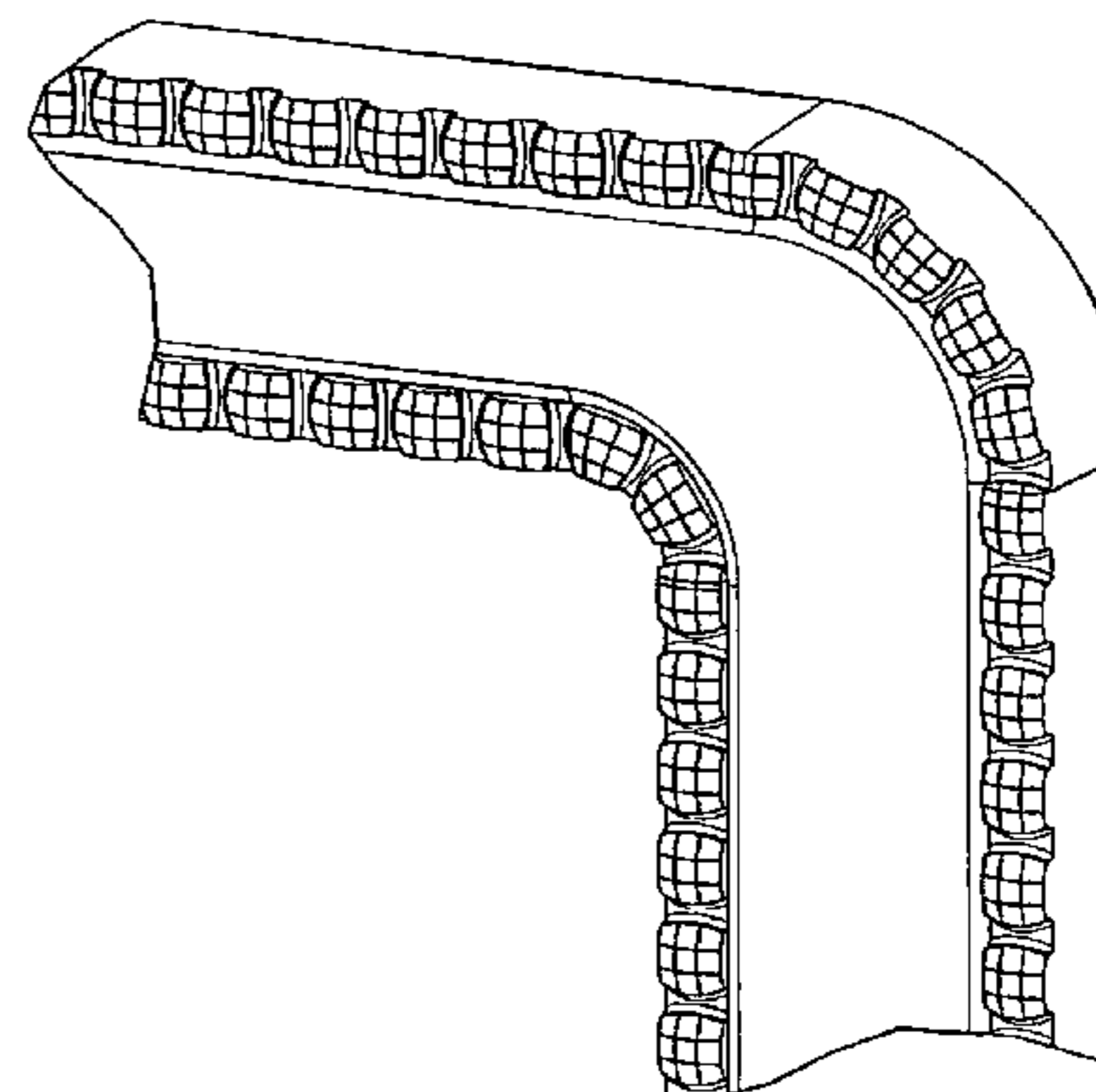
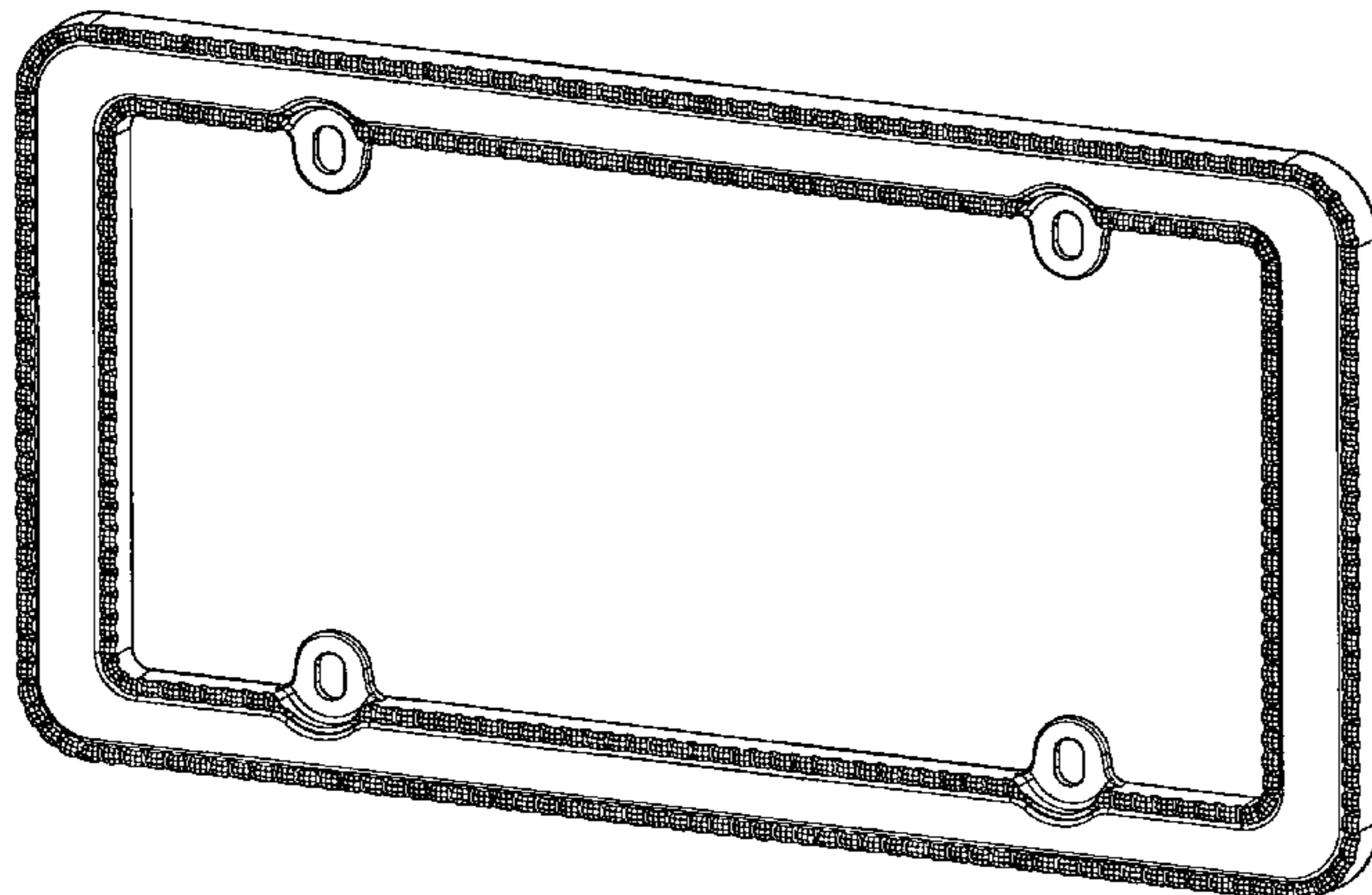
FIG. 14 is a magnified view of a portion of the license plate frame configuration shown in FIG. 13.

FIG. 15 is a front view of the license plate frame configuration shown in FIG. 13.

FIG. 16 is a perspective front view showing a third alternate configuration of our design for a license plate frame, with ornamentation in addition to that shown in FIG. 1.

FIG. 17 is a magnified view of a portion of the license plate frame configuration shown in FIG. 16; and, FIG. 18 is a front view of the license plate frame configuration shown in FIG. 16.

1 Claim, 10 Drawing Sheets



(56)

References Cited

U.S. PATENT DOCUMENTS

D413,847 S * 9/1999 Hartmann et al. D12/193
D437,816 S * 2/2001 Hussaini et al. D12/193
D442,130 S * 5/2001 Hussaini et al. D12/193
D524,210 S * 7/2006 Spencer D12/193
D601,478 S * 10/2009 Hu D12/193

D603,317 S * 11/2009 Lee D12/193
D619,948 S * 7/2010 Lee D12/193
D619,949 S * 7/2010 Lee D12/193
D662,448 S * 6/2012 Krankkala et al. D12/193
D691,534 S * 10/2013 Spencer et al. D12/193
D700,553 S * 3/2014 Spencer et al. D12/193
2011/0283574 A1* 11/2011 Ellman et al. 40/209

* cited by examiner

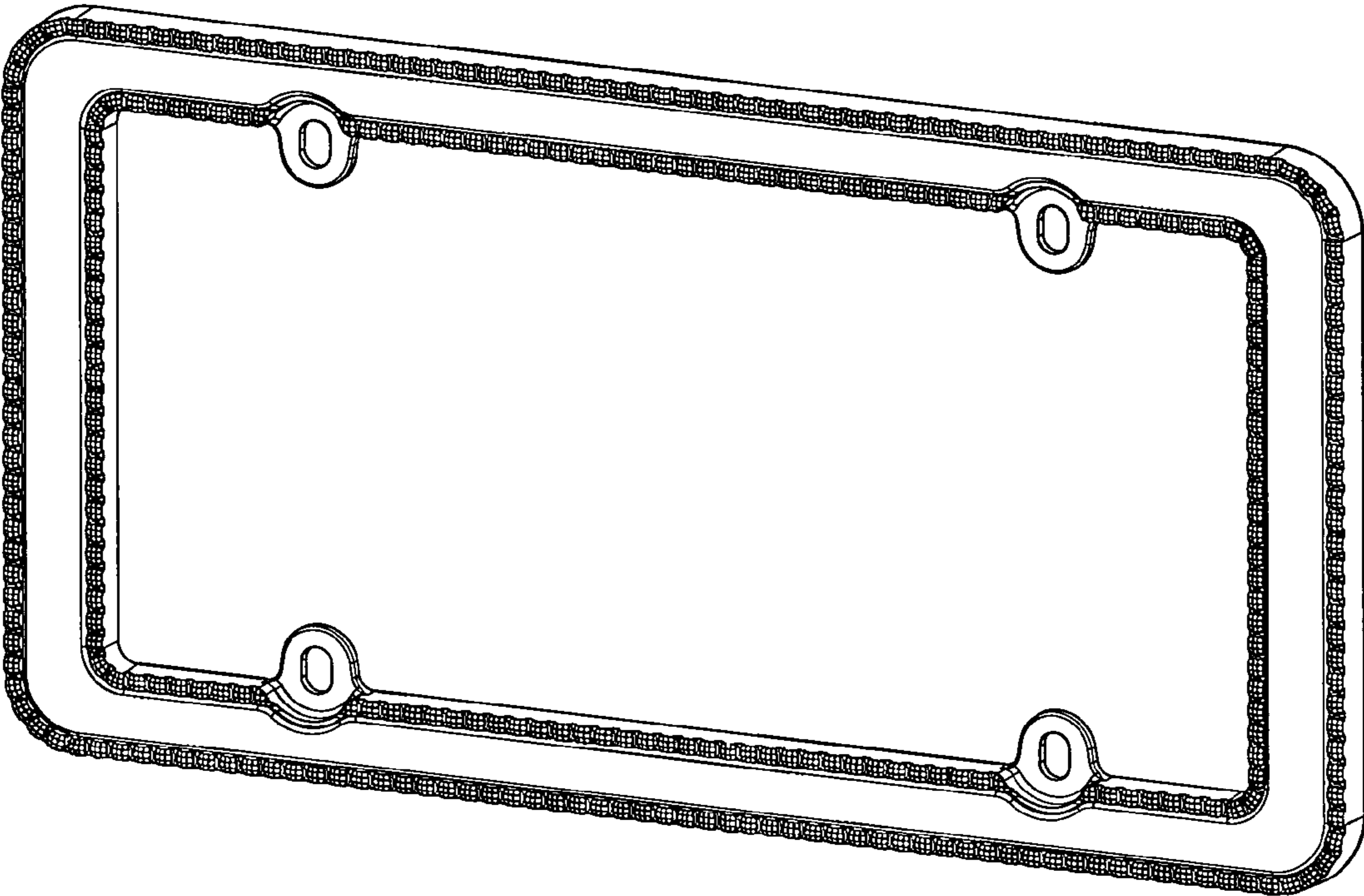


Figure 1

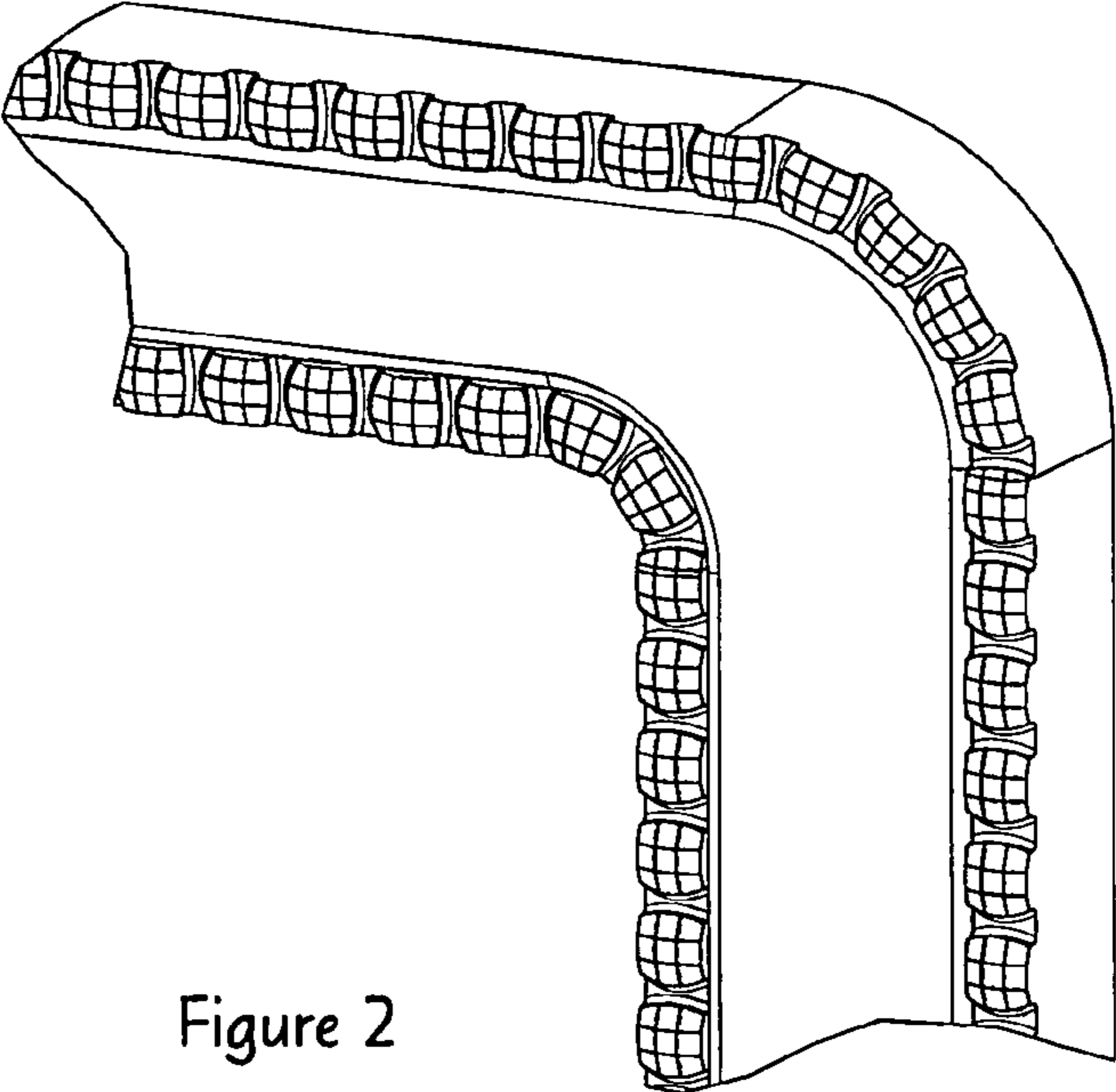


Figure 2

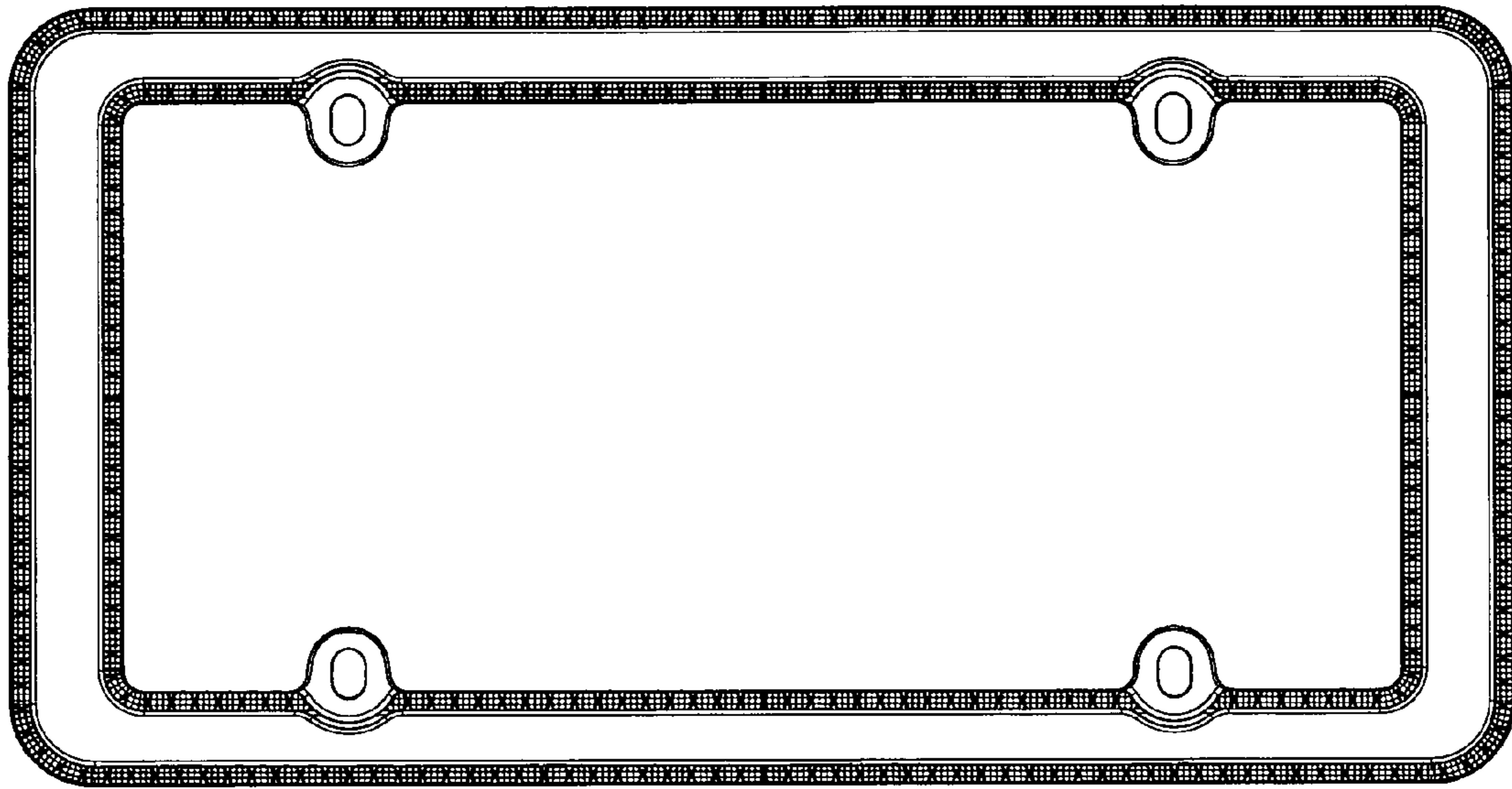


Figure 3

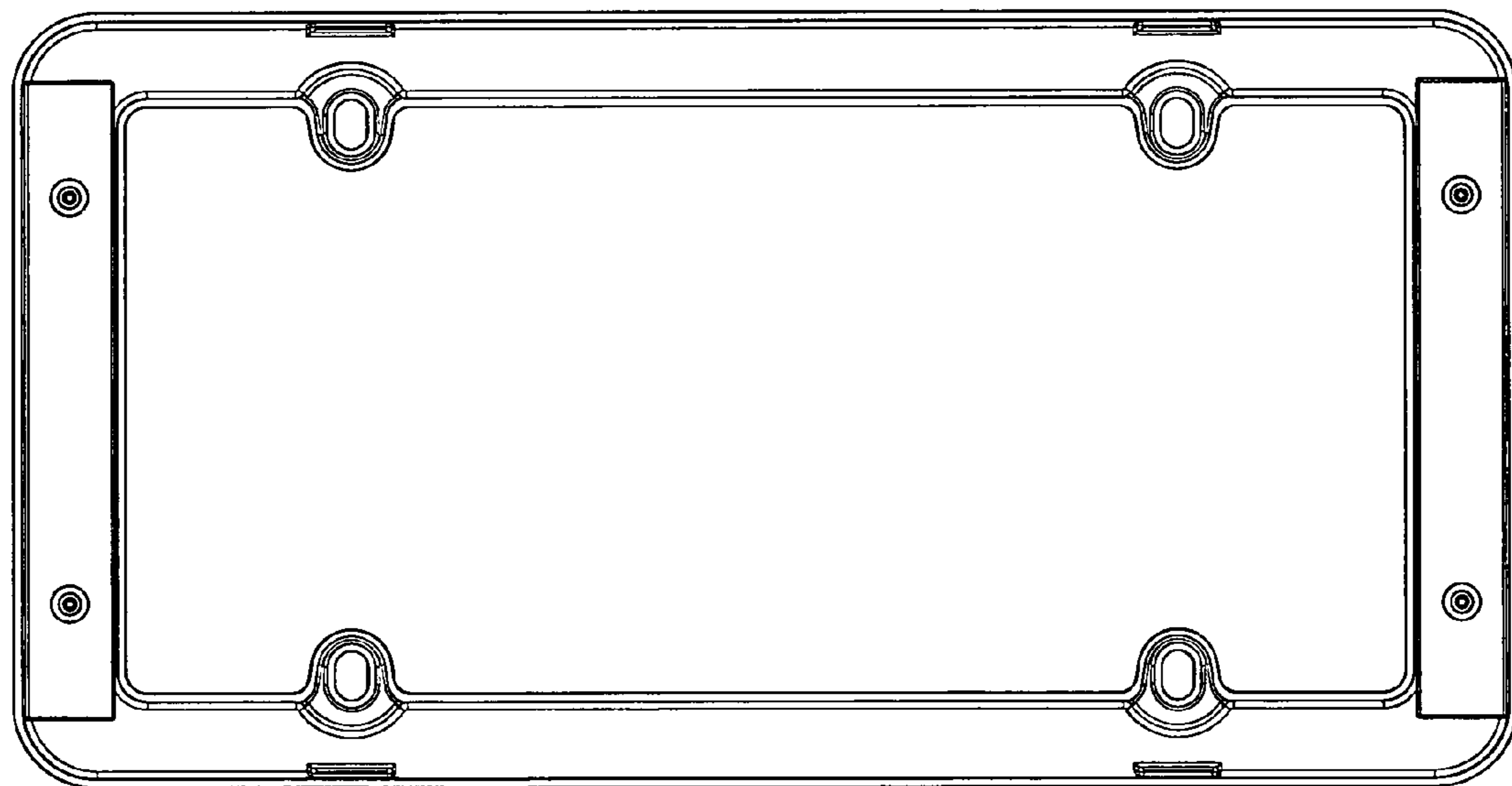


Figure 4

Figure 5



Figure 6

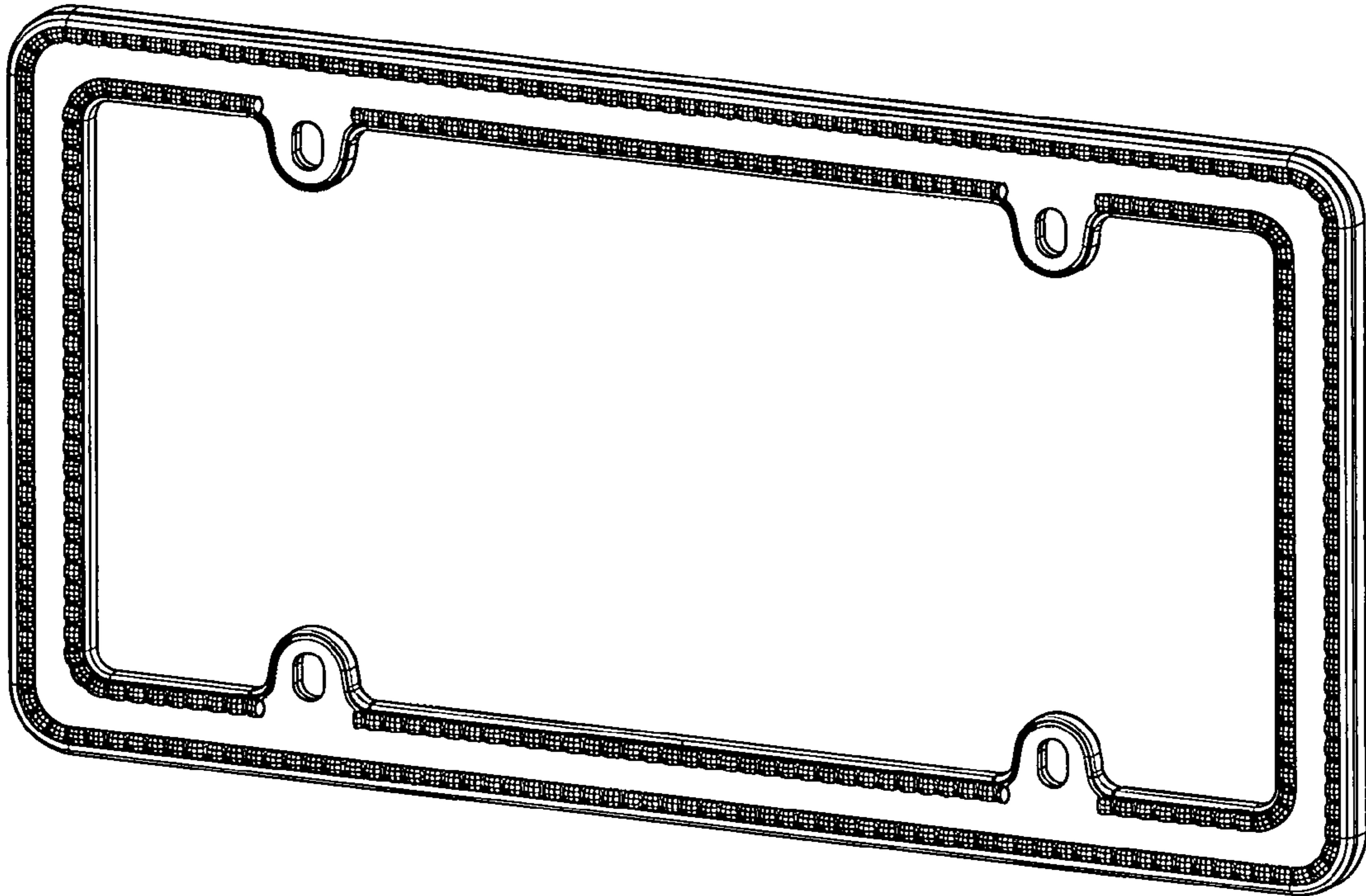


Figure 7

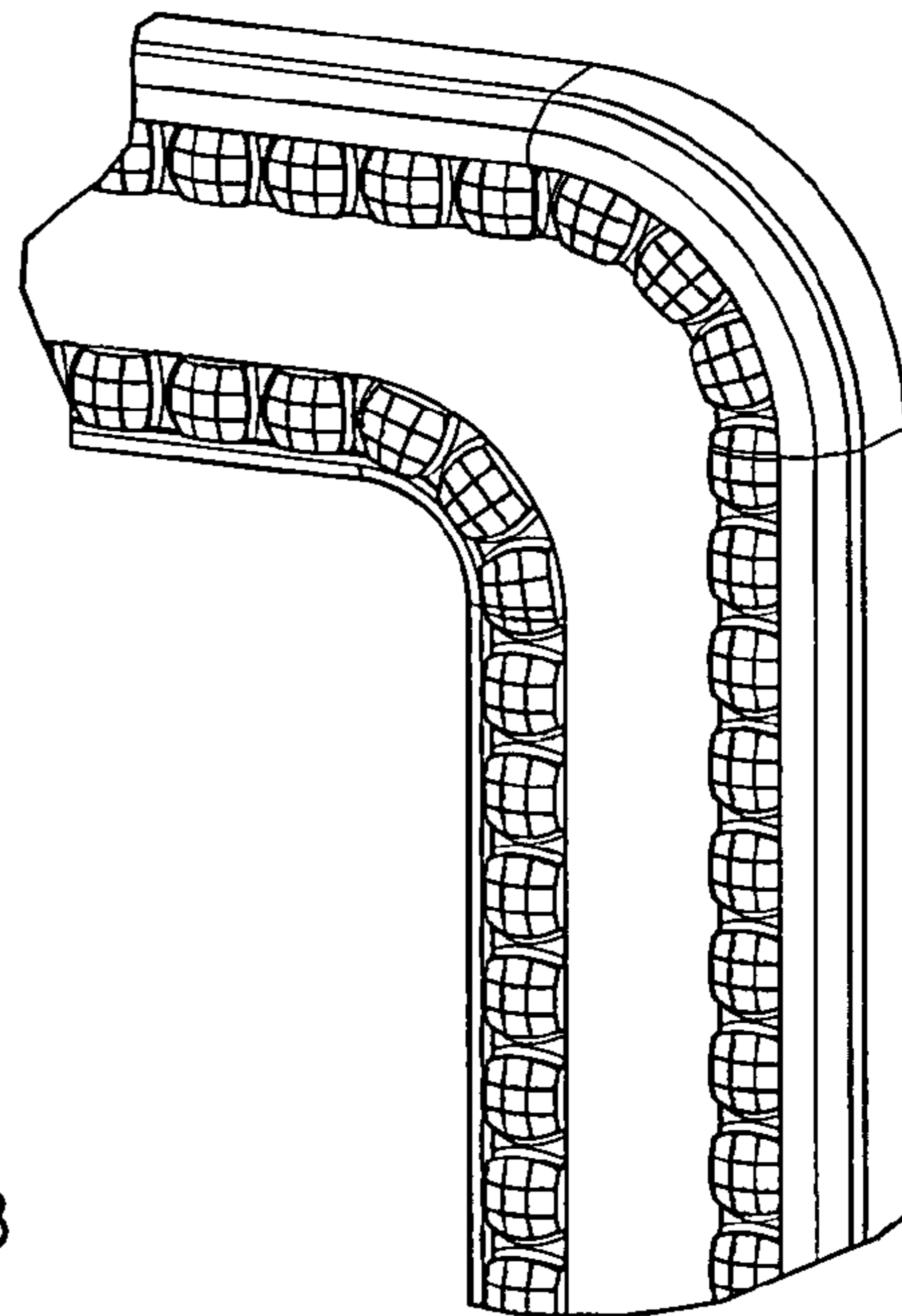


Figure 8

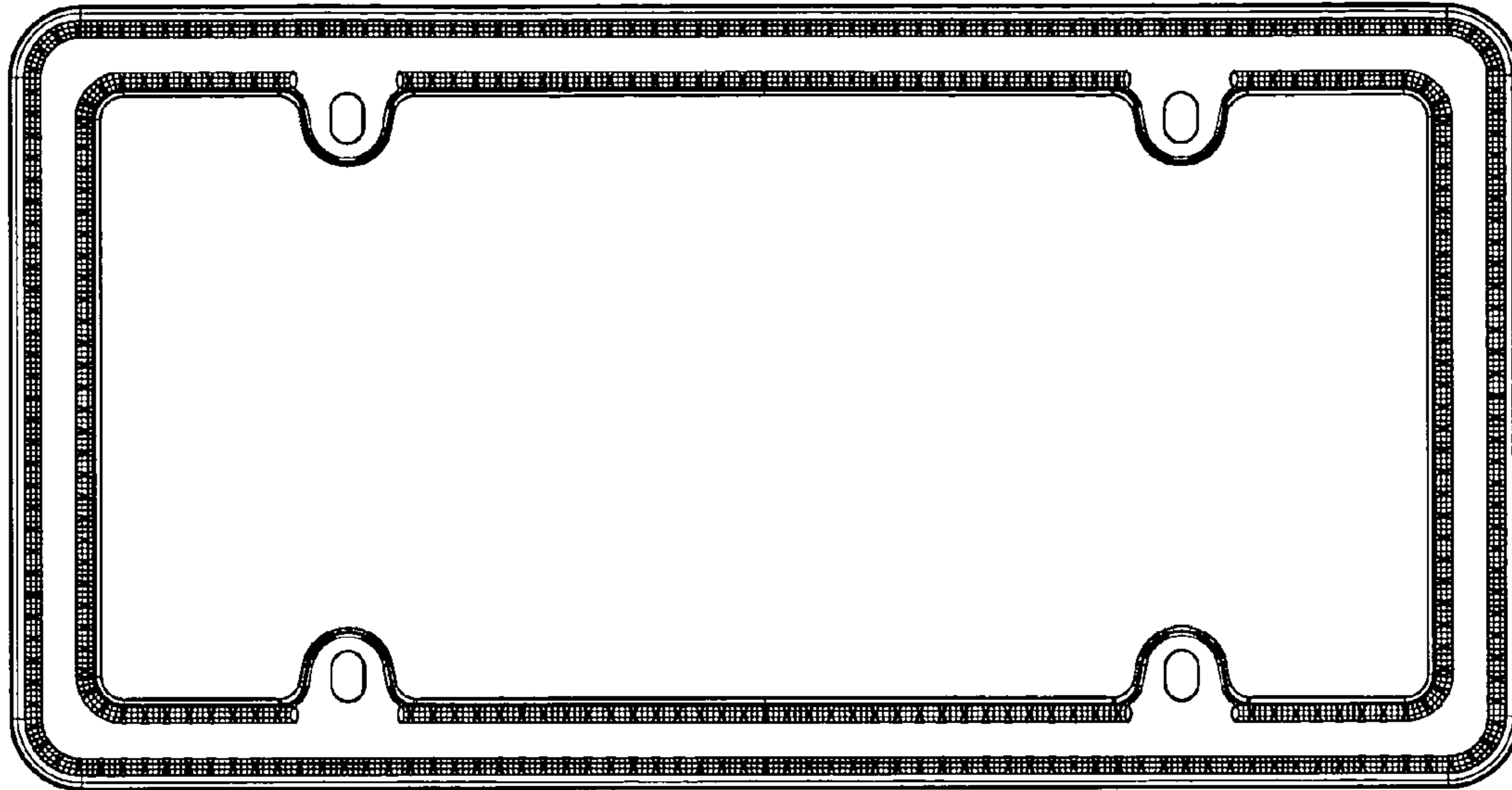


Figure 9

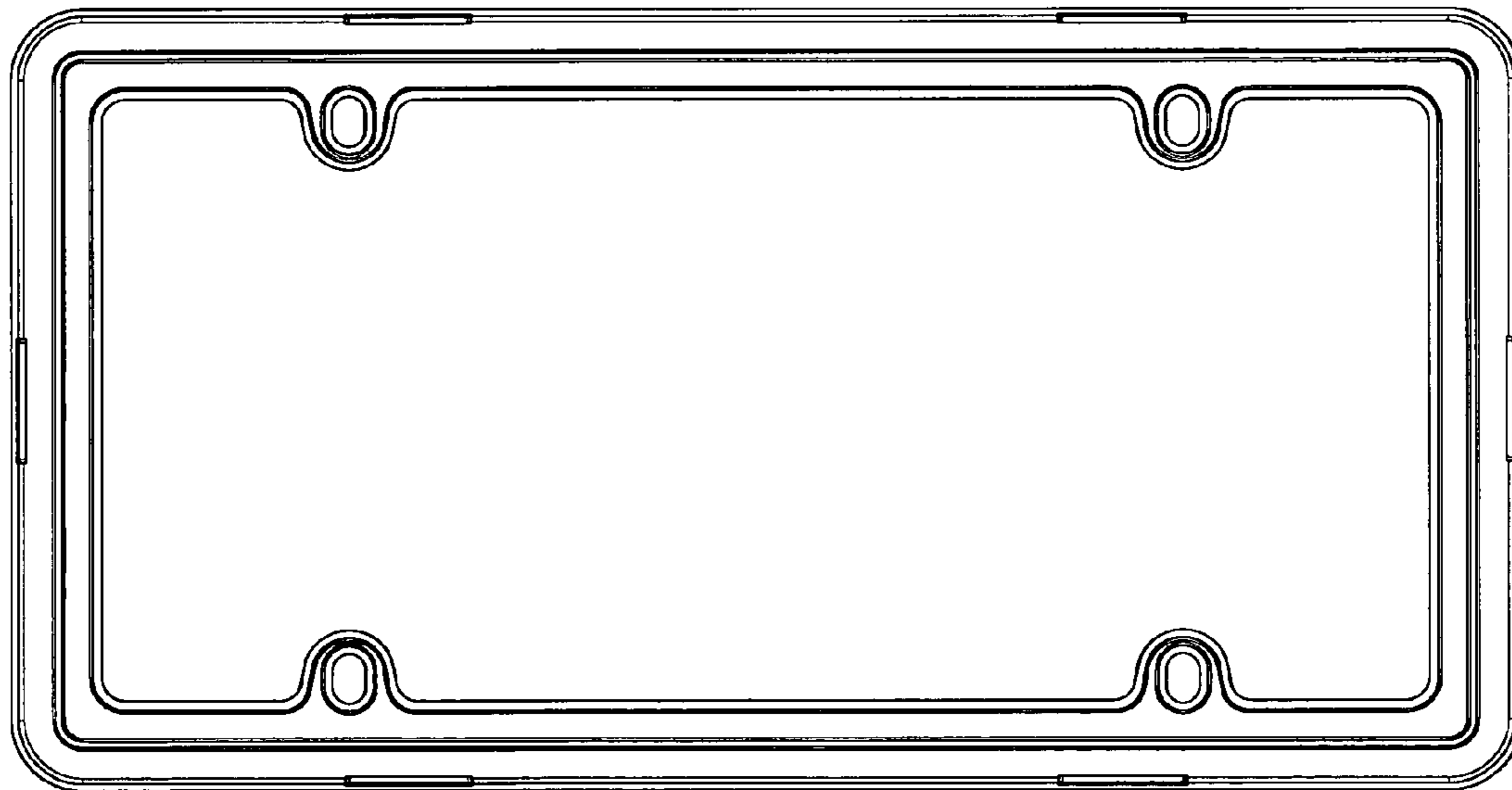
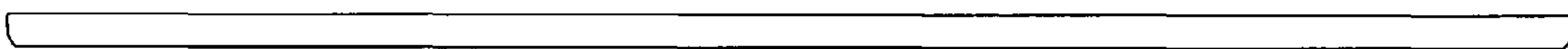


Figure 10

Figure 11



Figure 12



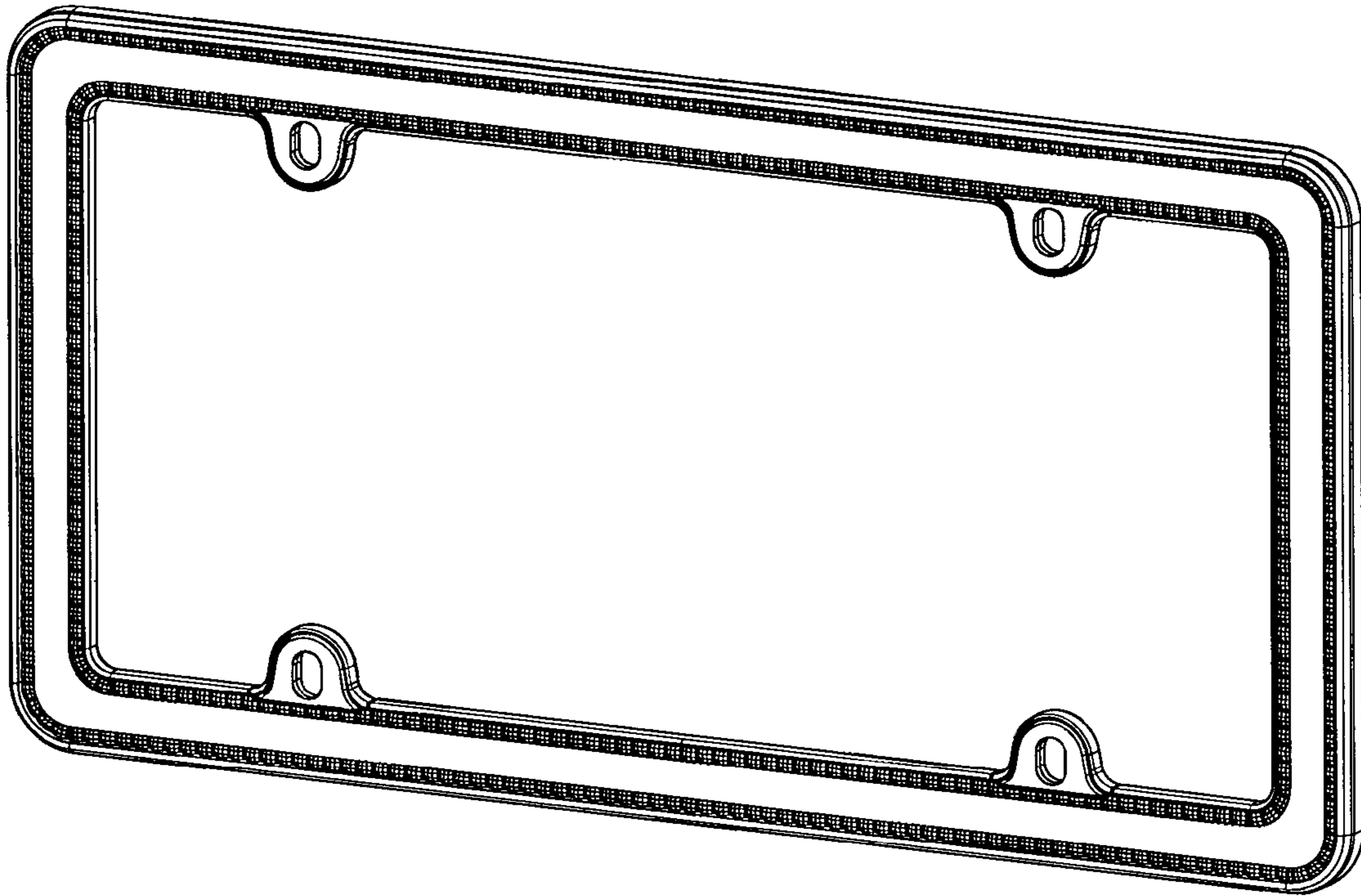


Figure 13

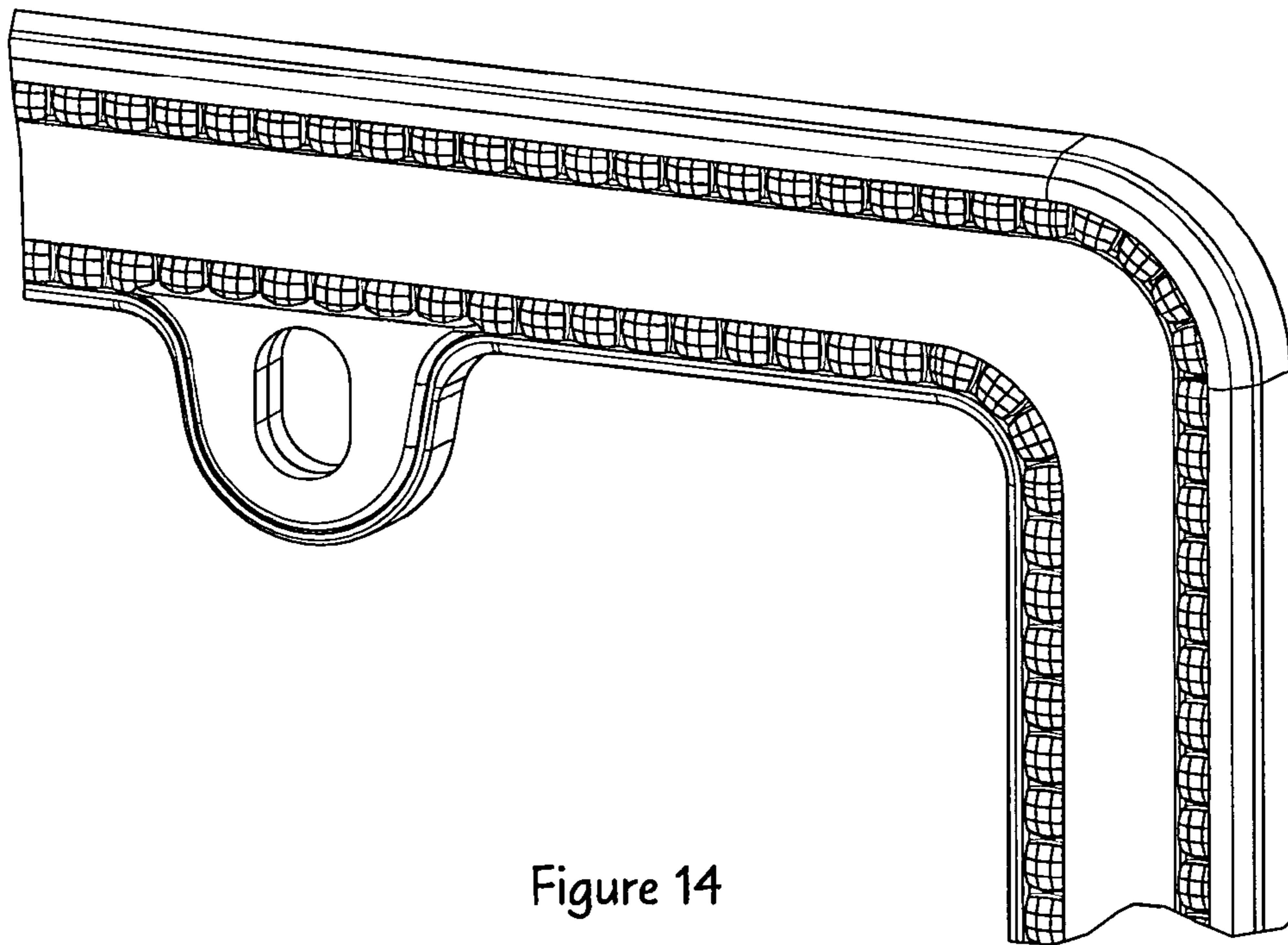


Figure 14

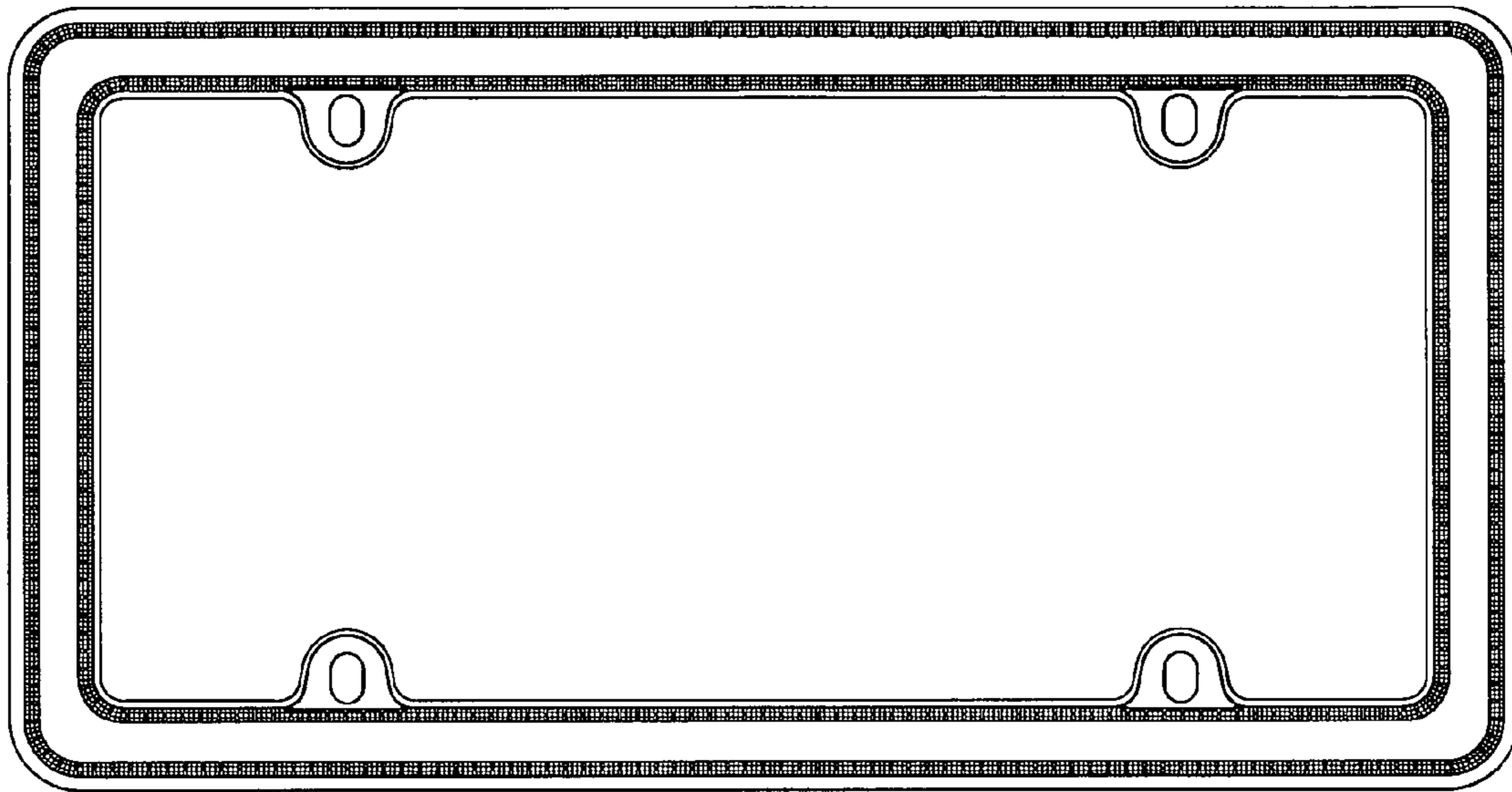


Figure 15

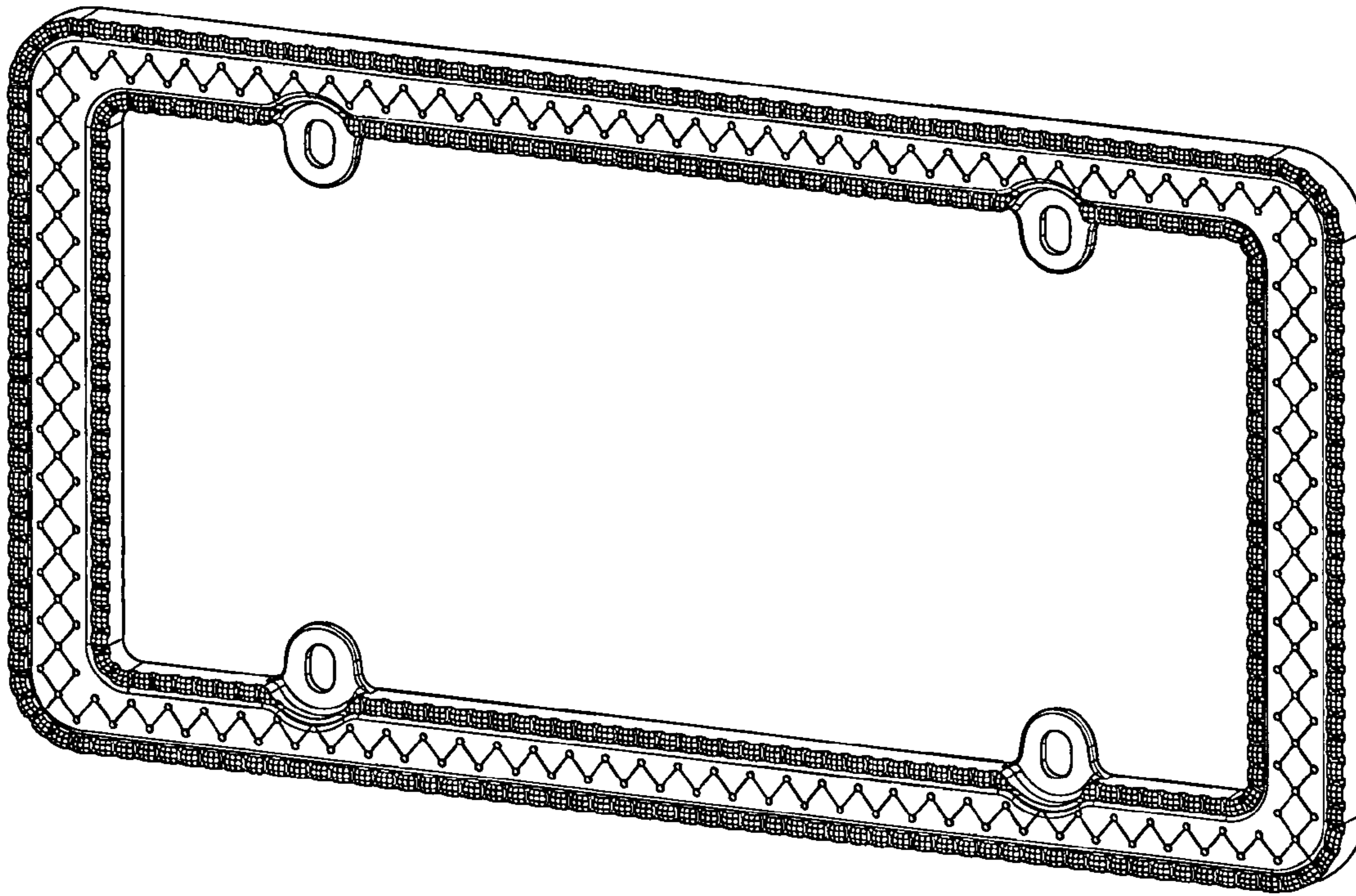


Figure 16

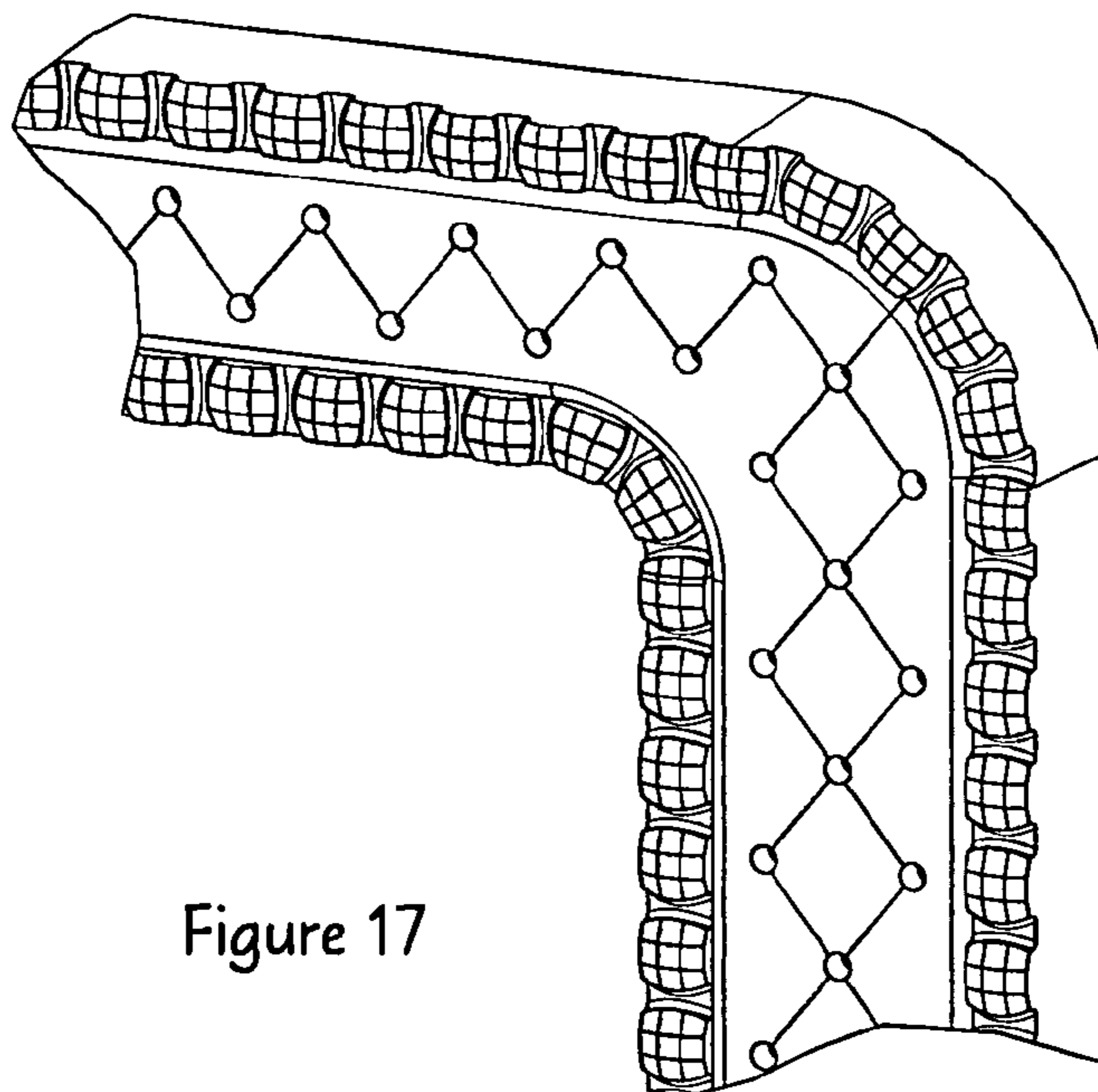


Figure 17

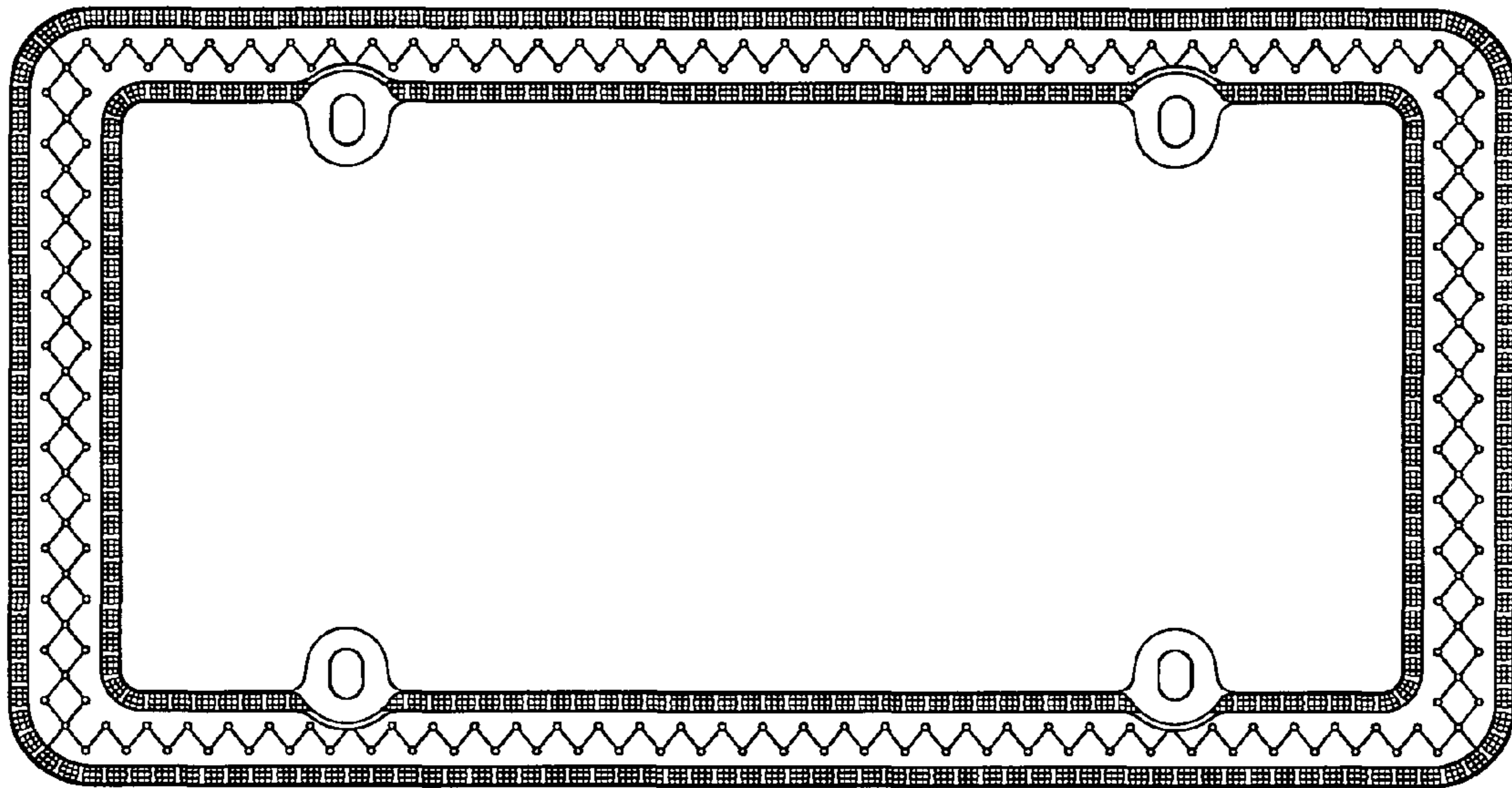


Figure 18