



US00D715202S

(12) **United States Design Patent**
Spencer et al.

(10) **Patent No.:** **US D715,202 S**

(45) **Date of Patent:** **** Oct. 14, 2014**

(54) **LICENSE PLATE FRAME**

(75) Inventors: **Todd Spencer**, Colorado Springs, CO (US); **Eldon Goates**, Colorado Springs, CO (US); **Bret Zelenka**, Colorado Springs, CO (US); **Michael J. Schwartz**, Colorado Springs, CO (US)

(73) Assignee: **Cruiser Accessories, LLC**, Monument, CO (US)

(**) Term: **14 Years**

(21) Appl. No.: **29/421,720**

(22) Filed: **Sep. 10, 2012**

(51) **LOC (10) Cl.** **12-16**

(52) **U.S. Cl.**
USPC **D12/193**

(58) **Field of Classification Search**
USPC D12/193; D6/300, 301, 302, 310, 311, D6/312, 313, 314; D20/13; 40/200, 201, 40/202, 203, 204, 207-214; 348/148, 373
See application file for complete search history.

(56) **References Cited**

U.S. PATENT DOCUMENTS

D367,459 S *	2/1996	Spencer	D12/193
D413,847 S *	9/1999	Hartmann et al.	D12/193
D488,753 S *	4/2004	Spencer	D12/193
D516,483 S *	3/2006	Eidsmore	D12/193
D576,934 S *	9/2008	Hirth et al.	D12/193
D601,478 S *	10/2009	Hu	D12/193
D684,513 S *	6/2013	Spencer et al.	D12/193
D691,534 S *	10/2013	Spencer et al.	D12/193
2008/0250680 A1 *	10/2008	MacNeil	40/209
2011/0283574 A1 *	11/2011	Ellman et al.	40/209

* cited by examiner

Primary Examiner — Deanna L. Pratt

Assistant Examiner — Natasha Vujcic

(74) *Attorney, Agent, or Firm* — Linda Flewellen Gould

(57) **CLAIM**

The ornamental design for a license plate frame, as shown and described.

DESCRIPTION

FIG. 1 is a perspective view showing our design for a license plate frame, with an ornament attached on the bottom rung of the frame;

FIG. 2 is a top view of the license plate frame thereof;

FIG. 3 is a front view of the license plate frame thereof;

FIG. 4 is a right side view of the license plate frame, the left side view being the mirror image thereof;

FIG. 5 is a bottom view of the license plate frame thereof;

FIG. 6 is a back view of the license plate frame thereof.

FIG. 7 is a perspective view showing a second embodiment of our design for a license plate frame, with an ornament attached on the bottom rung of the frame.

FIG. 8 is a top view of the second embodiment of the license plate frame shown in FIG. 7.

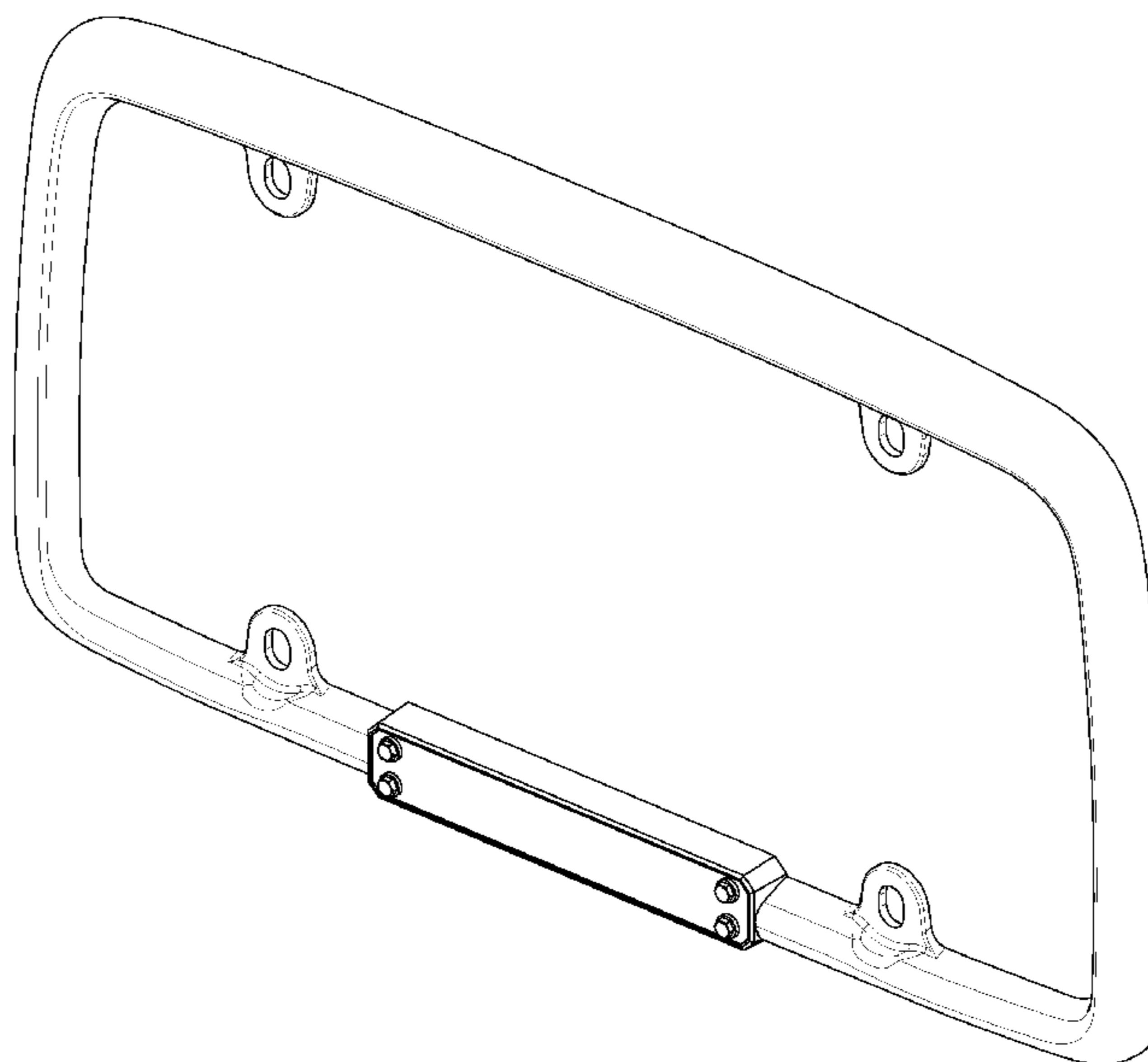
FIG. 9 is a front view of the second embodiment of the license plate frame shown in FIG. 7.

FIG. 10 is a right side view of the second embodiment of the license plate frame shown in FIG. 7, the left side view being the mirror image thereof.

FIG. 11 is a bottom view of the second embodiment of the license plate frame shown in FIG. 7; and,

FIG. 12 is a back view of the second embodiment of the license plate frame shown in FIG. 7.

1 Claim, 3 Drawing Sheets



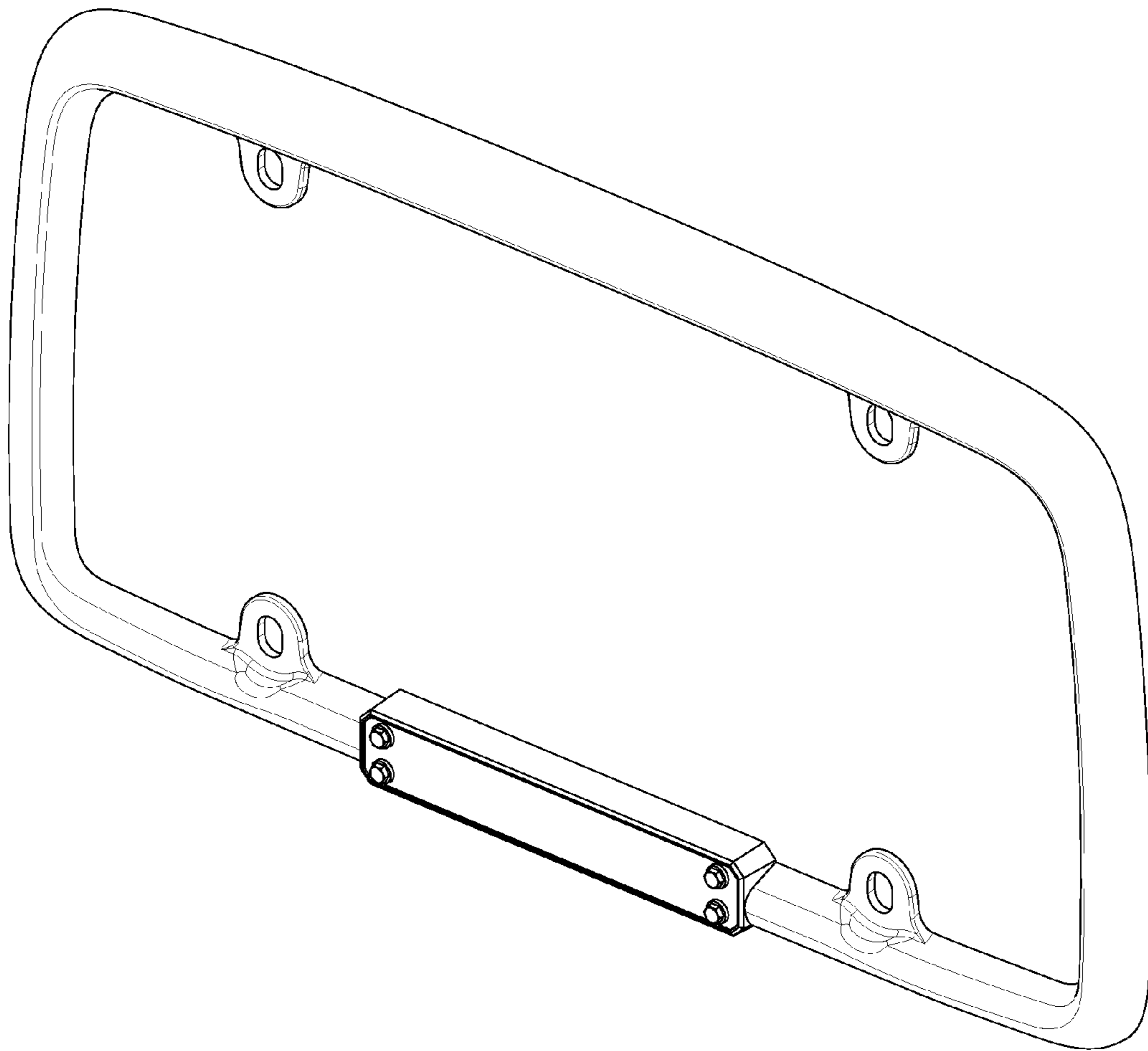


Figure 1

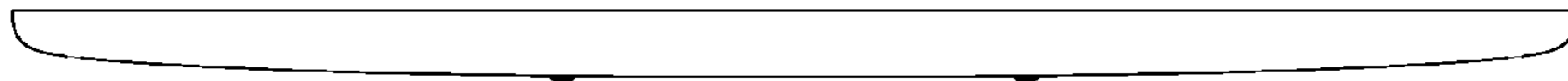


Figure 2

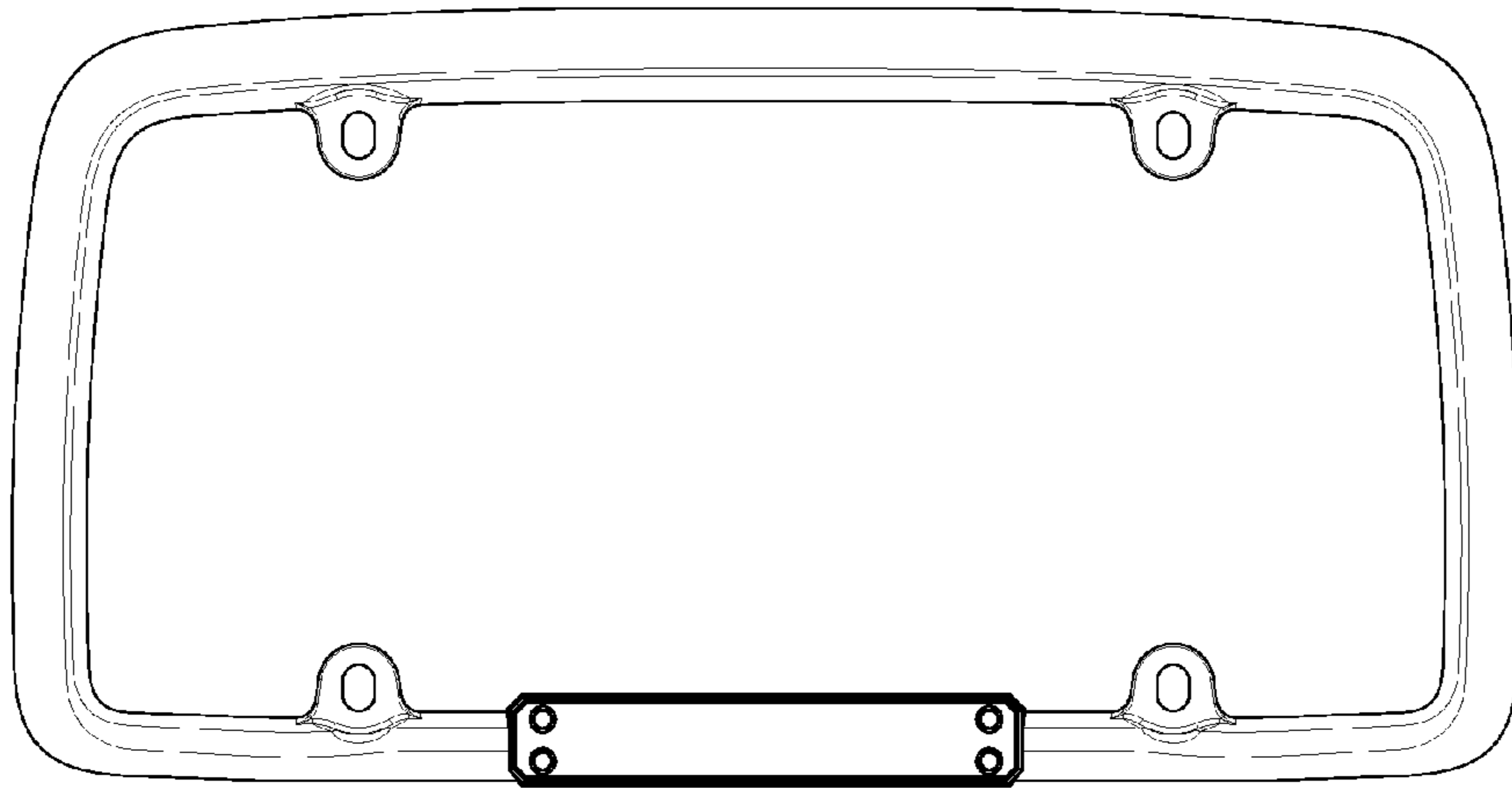


Figure 3



Figure 4



Figure 5

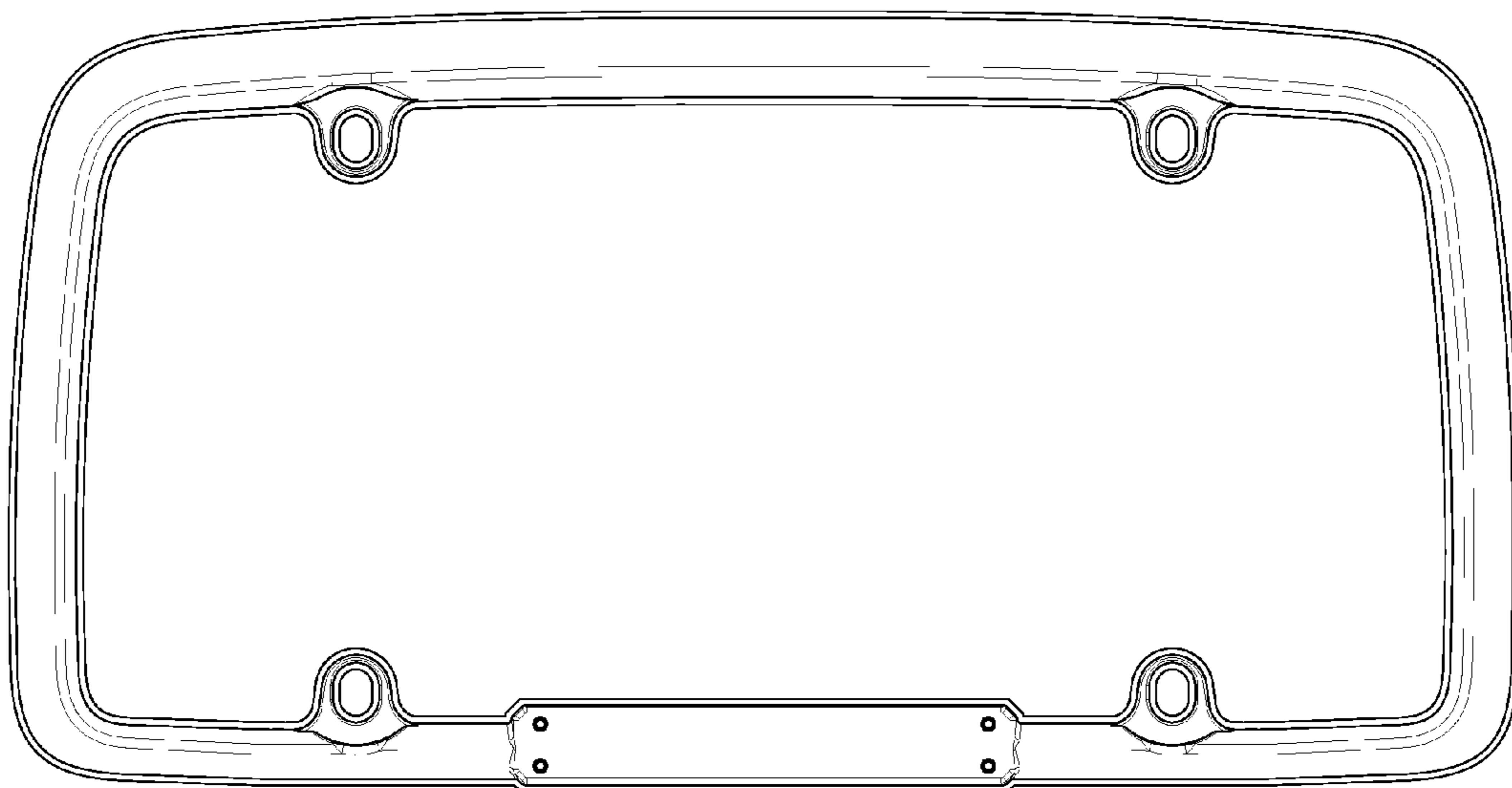


Figure 6