



US00D715199S

(12) **United States Design Patent**
Gray

(10) **Patent No.:** **US D715,199 S**

(45) **Date of Patent:** **** Oct. 14, 2014**

(54) **TWO-WHEELED MEDICAL EXTRACTION DEVICE**

(76) Inventor: **Rickie L. Gray**, Rogersville, MO (US)

(**) Term: **14 Years**

(21) Appl. No.: **29/395,035**

(22) Filed: **Nov. 14, 2011**

(51) **LOC (10) Cl.** **12-12**

(52) **U.S. Cl.**
USPC **D12/128**

(58) **Field of Classification Search**
USPC D12/128-133; 280/62, 647-650, 29,
280/200, 47.38, 250.1, 259, 642, 658,
280/304.1; 128/99.1, 100.1
See application file for complete search history.

(56) **References Cited**

U.S. PATENT DOCUMENTS

2,484,939	A *	10/1949	Fassett	280/42
2,490,988	A *	12/1949	Wheeler	280/650
D249,032	S *	8/1978	Tarran	D34/14
5,213,360	A *	5/1993	Lin	280/648
6,419,244	B2	7/2002	Meabon		
D473,990	S *	4/2003	Hittle	D34/18
6,874,799	B2	4/2005	Robberson et al.		

6,991,241	B1 *	1/2006	Ostrow et al.	280/47.41
7,055,848	B1	6/2006	James		
7,150,465	B2	12/2006	Darling, III		
7,448,632	B1	11/2008	Nieto		
7,867,144	B2	1/2011	Quinn		

* cited by examiner

Primary Examiner — Ian Simmons

Assistant Examiner — Charles Hanson

(74) *Attorney, Agent, or Firm* — Kenneth W. Iles

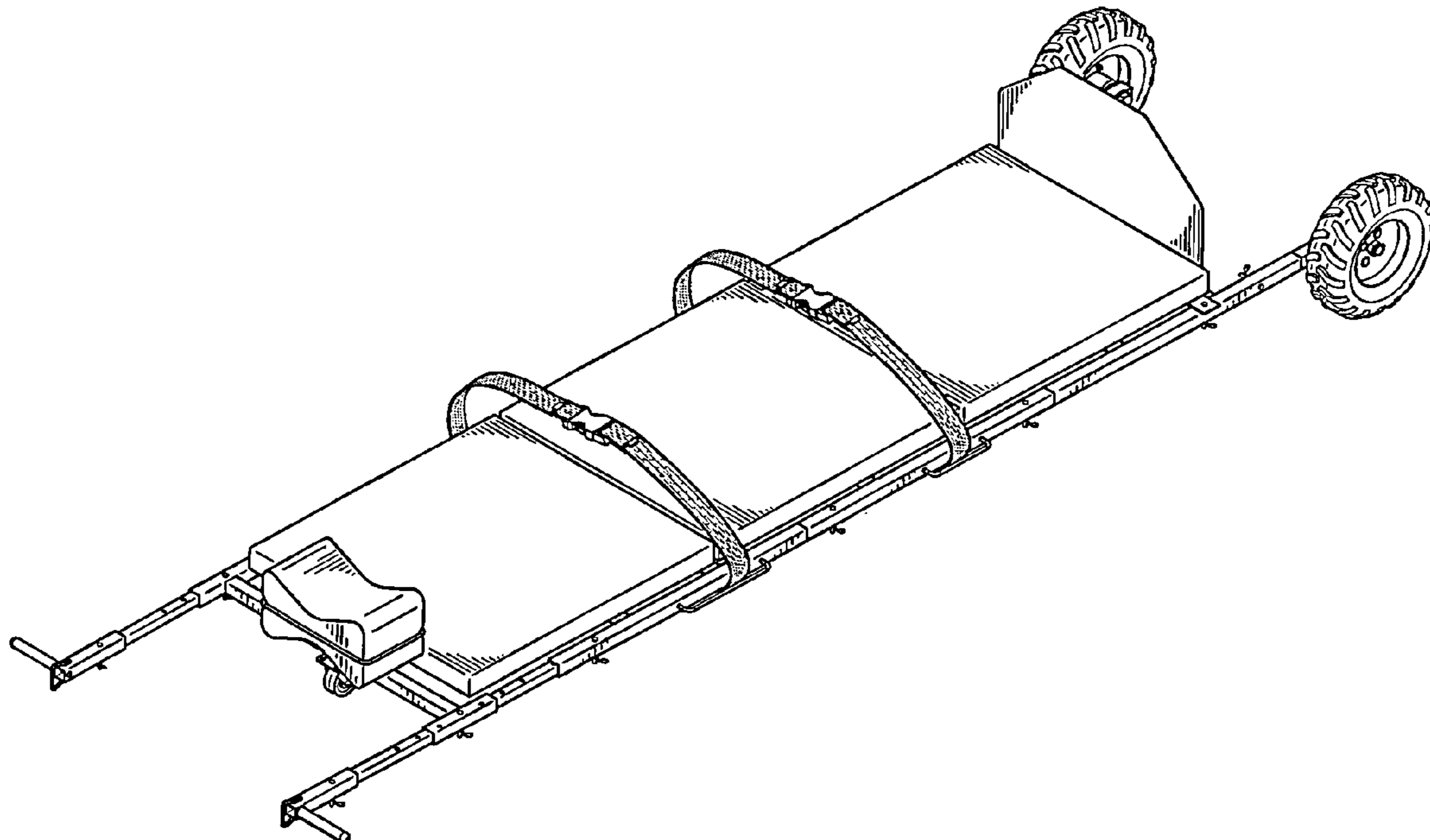
(57) **CLAIM**

The ornamental design for a two-wheeled medical extraction device, as shown and described.

DESCRIPTION

FIG. 1 is a right-side isometric view of the two-wheeled medical extraction device showing my new design; FIG. 2 is a front view thereof; FIG. 3 is a left side view thereof; FIG. 4 is a rear view thereof; FIG. 5 is a right side view thereof; FIG. 6 is a top view thereof; and, FIG. 7 is a bottom view thereof. The broken line showing is included for the purpose of illustrating environment and forms no part of the claimed design.

1 Claim, 4 Drawing Sheets



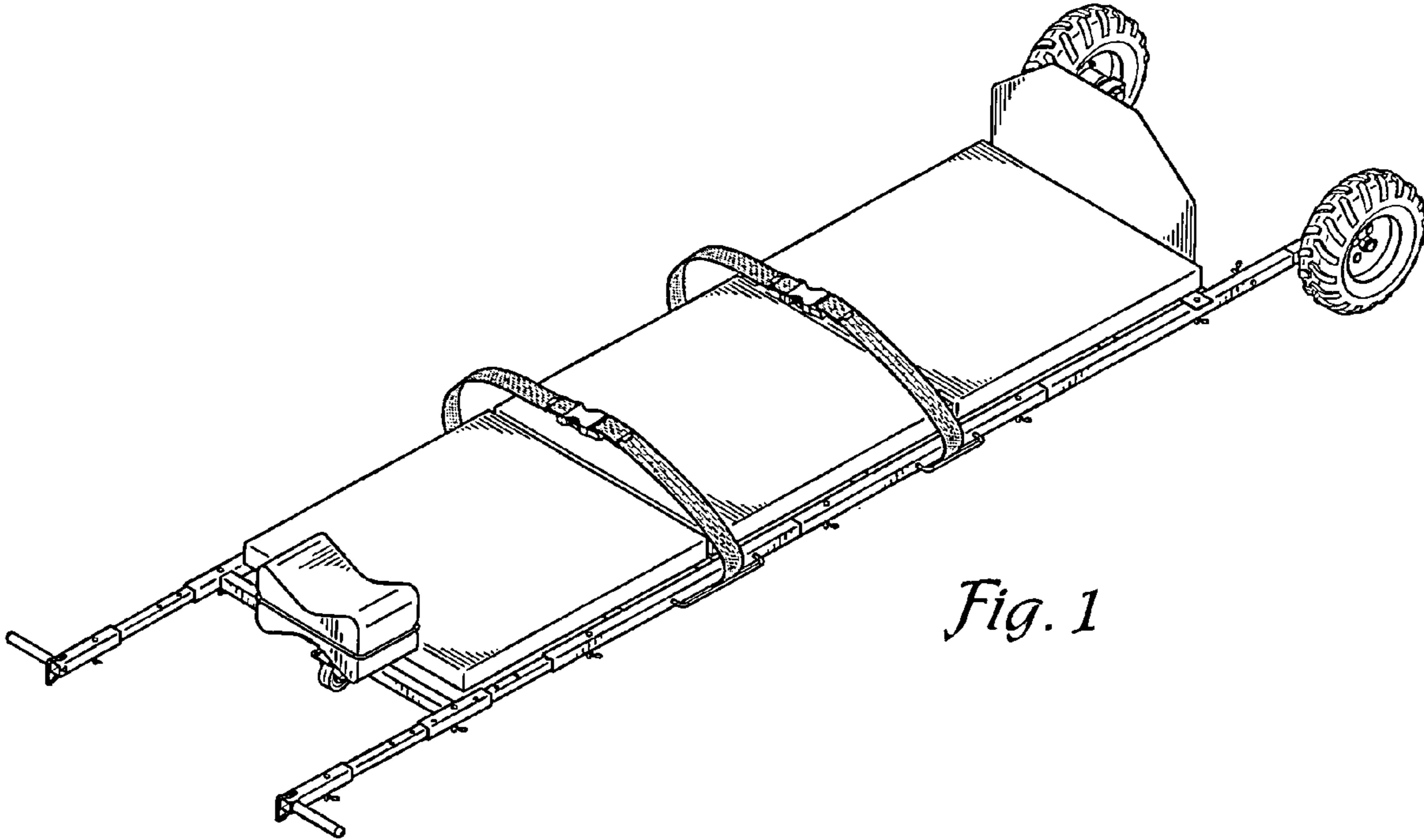


Fig. 1

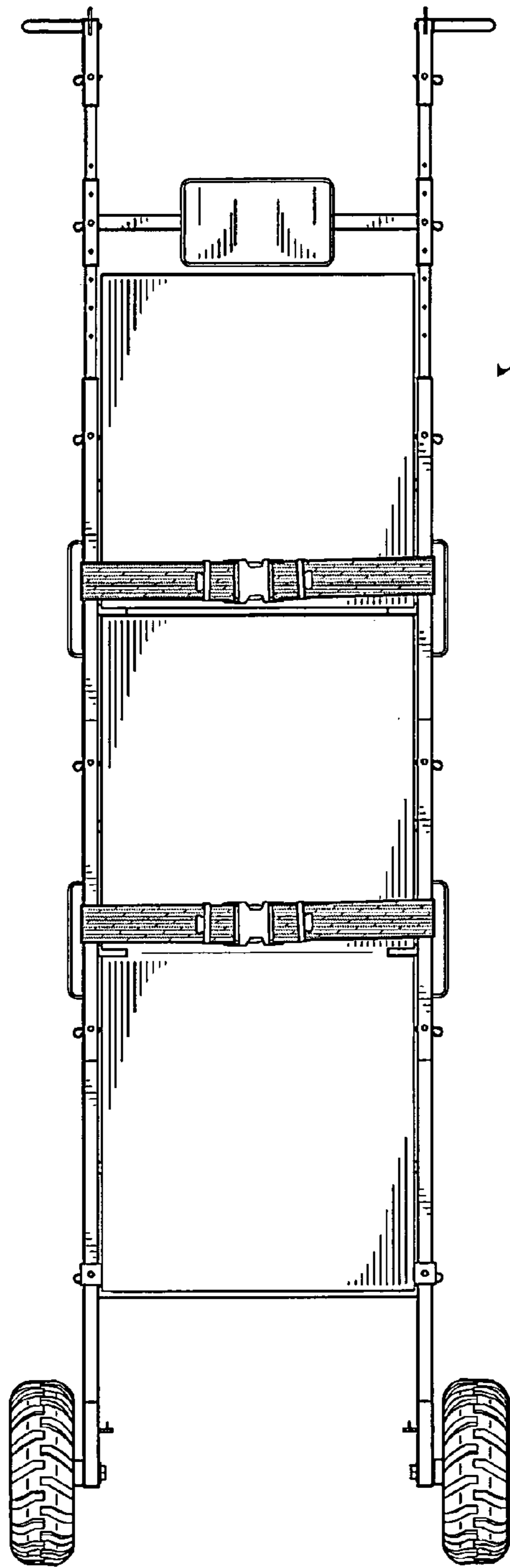


Fig. 2

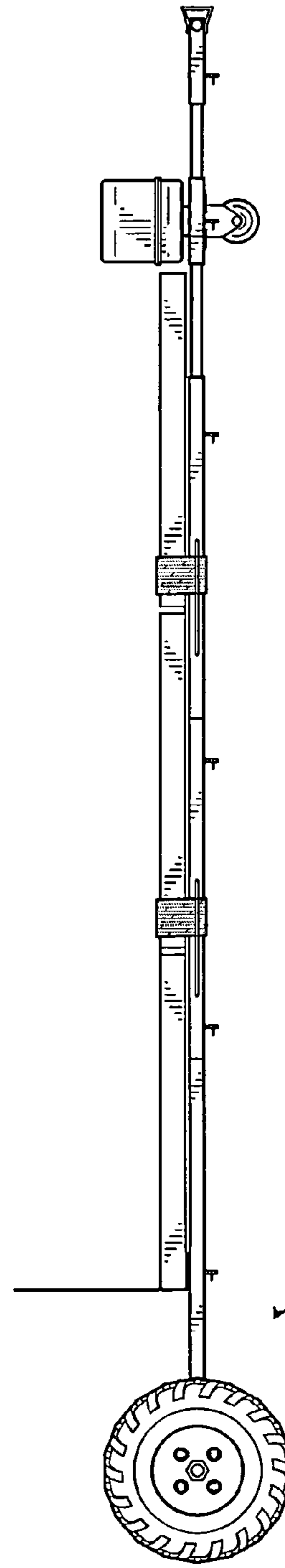


Fig. 3

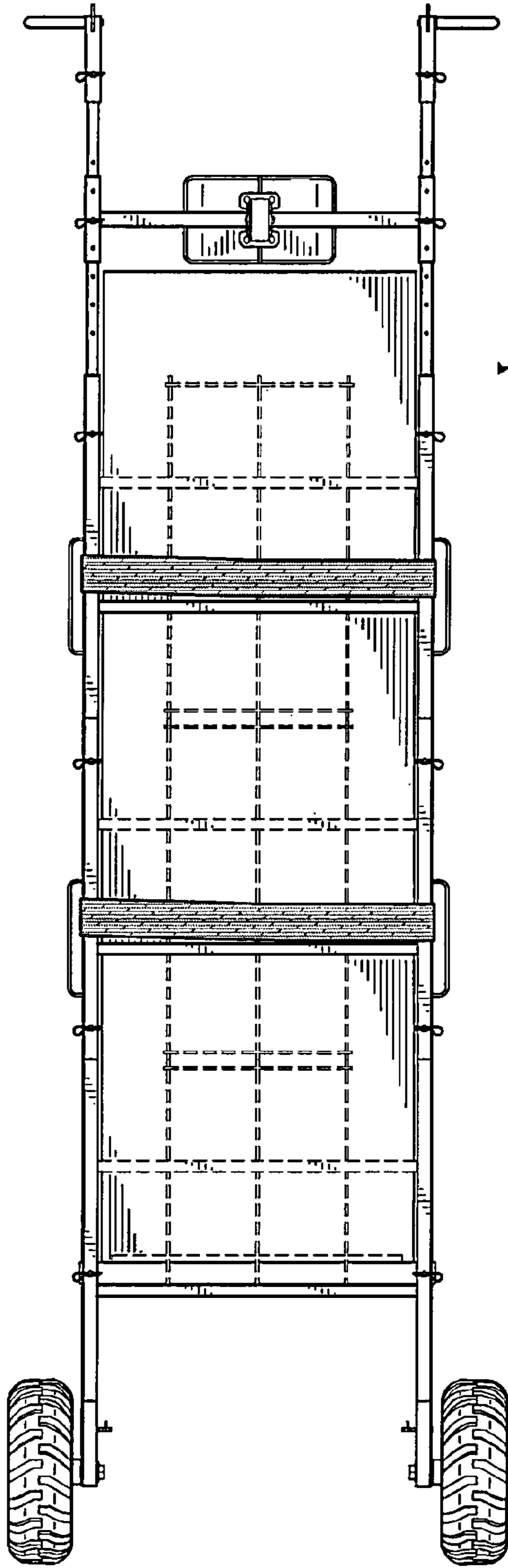


Fig. 4

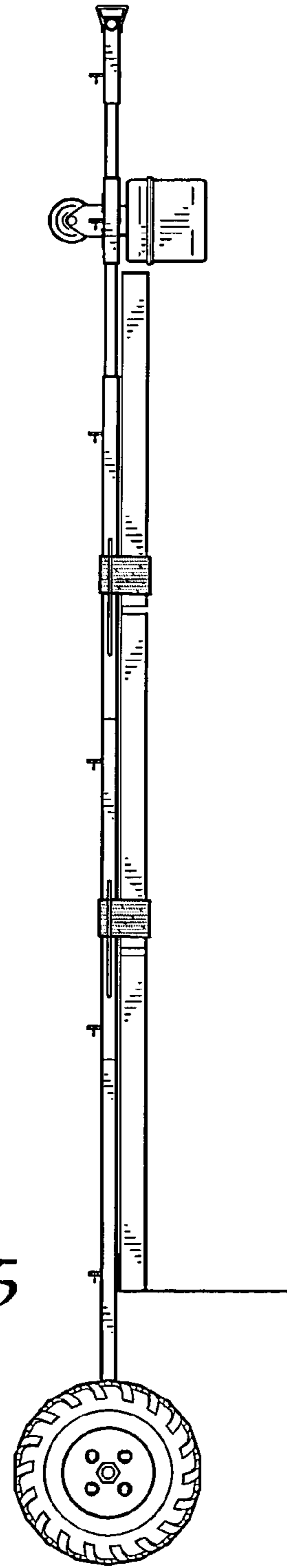


Fig. 5

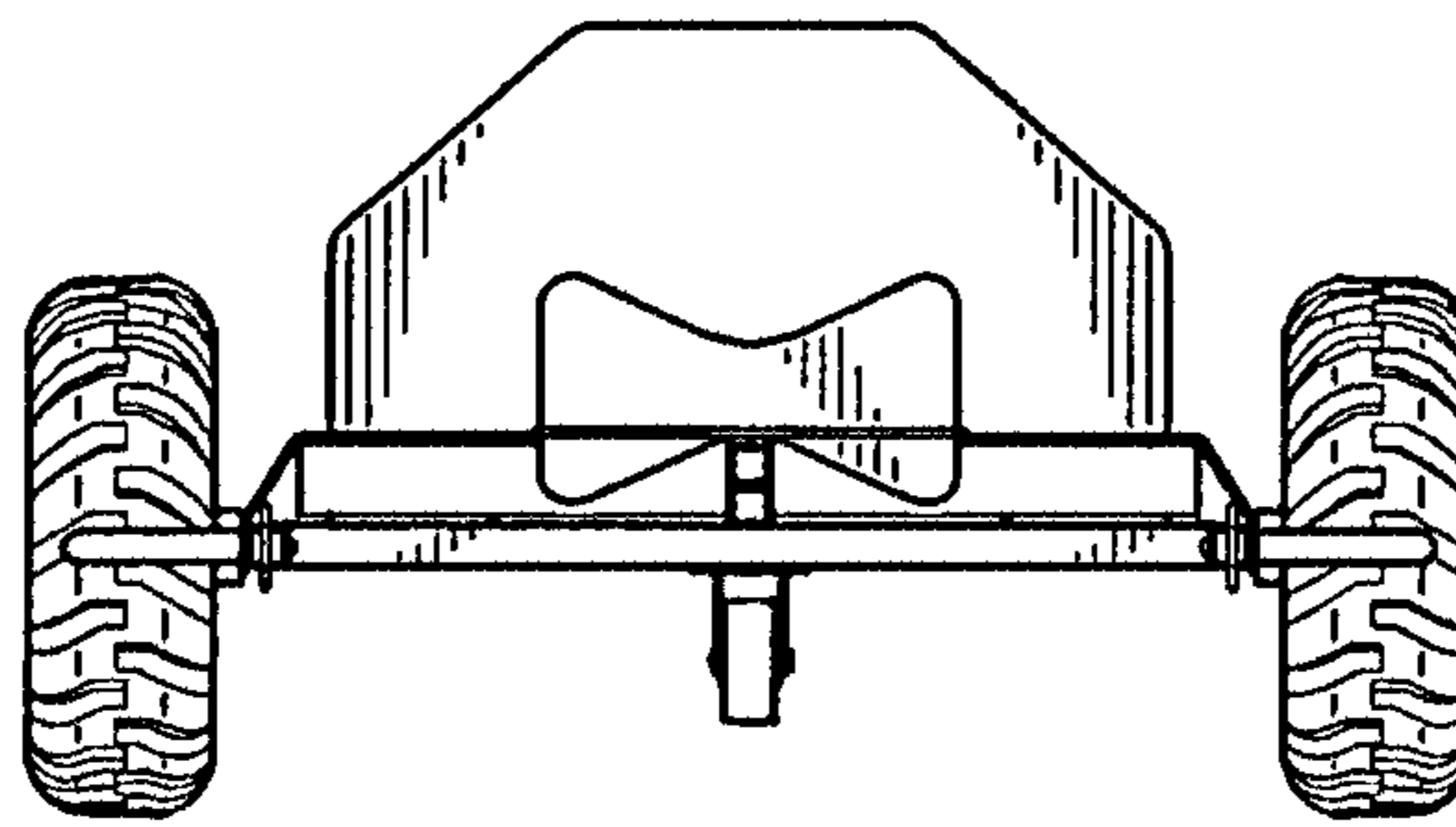


Fig. 6

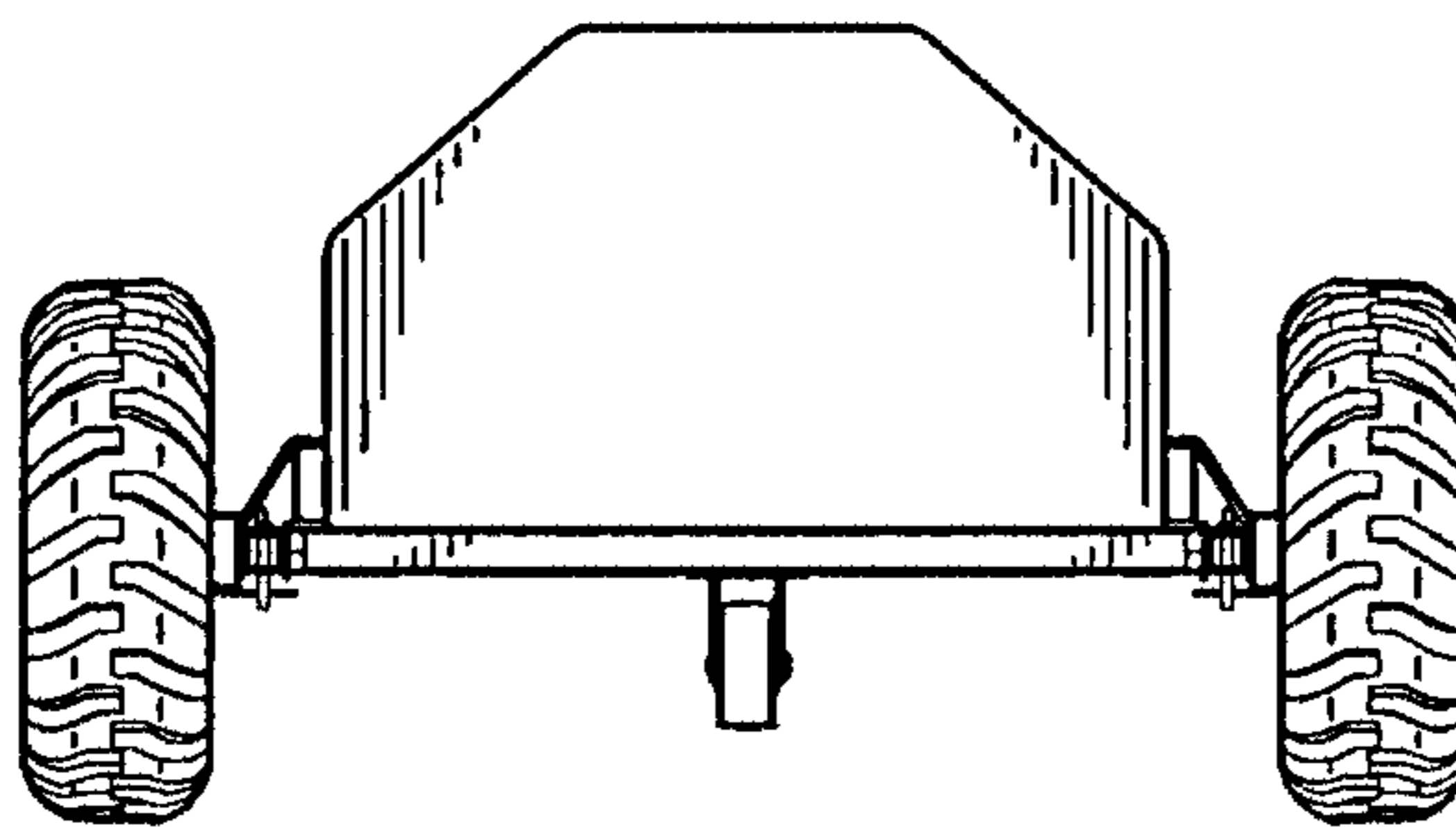


Fig. 7