



US00D715198S

(12) **United States Design Patent**
Cornell

(10) **Patent No.:** **US D715,198 S**

(45) **Date of Patent:** **** Oct. 14, 2014**

(54) **BIKE FRONT PLATE**

(71) Applicant: **Bryan D Cornell**, Wake Forest, NC (US)

(72) Inventor: **Bryan D Cornell**, Wake Forest, NC (US)

(**) Term: **14 Years**

(21) Appl. No.: **29/469,227**

(22) Filed: **Oct. 8, 2013**

(51) **LOC (10) Cl.** **12-11**

(52) **U.S. Cl.**
USPC **D12/114**

(58) **Field of Classification Search**
CPC B62J 11/00; A63H 33/006; A63H 33/003;
B60Q 1/56; B62K 21/12
USPC D12/114, 115, 182; D21/420, 620, 658,
D21/416, 424, 435, 447-452, 533-560;
446/227, 279, 28, 487, 60, 268, 269,
446/275; 40/204, 556; 224/418, 447, 459,
224/420, 446, 413, 435, 441, 444, 457;
211/30; 74/551.8; 248/552; 116/215;
70/59; 416/193 R, 192, 195, 236 A,
416/236 R

See application file for complete search history.

(56) **References Cited**

U.S. PATENT DOCUMENTS

3,837,545 A * 9/1974 Rogers, Jr. 224/446
5,088,633 A * 2/1992 Cunard et al. 224/447
5,211,075 A * 5/1993 Martin-Rossman 74/551.8

D361,800 S * 8/1995 Lenihan D21/548
D428,076 S * 7/2000 Wise et al. D21/548
D430,073 S * 8/2000 McCoy et al. D12/114
D430,824 S * 9/2000 McCoy et al. D12/114
D431,210 S * 9/2000 McCoy et al. D12/114
D431,797 S * 10/2000 McCoy et al. D12/114
D442,894 S * 5/2001 McCoy et al. D12/114
D481,335 S * 10/2003 Chen D12/114
7,985,117 B2 * 7/2011 Leynes 446/268
2004/0045395 A1 * 3/2004 Chen 74/551.8

* cited by examiner

Primary Examiner — Eric Goodman

Assistant Examiner — Ryan Harvey

(74) *Attorney, Agent, or Firm* — Ishman Law Firm P.C.

(57) **CLAIM**

I claim a new ornamental design for a bike front plate, as shown and described.

DESCRIPTION

FIG. 1 is a front perspective view of a bike front plate embodying the new design;

FIG. 2 is a front elevation view of the bike front plate of FIG. 1;

FIG. 3 is a left side elevation view of the bike front plate of FIG. 1;

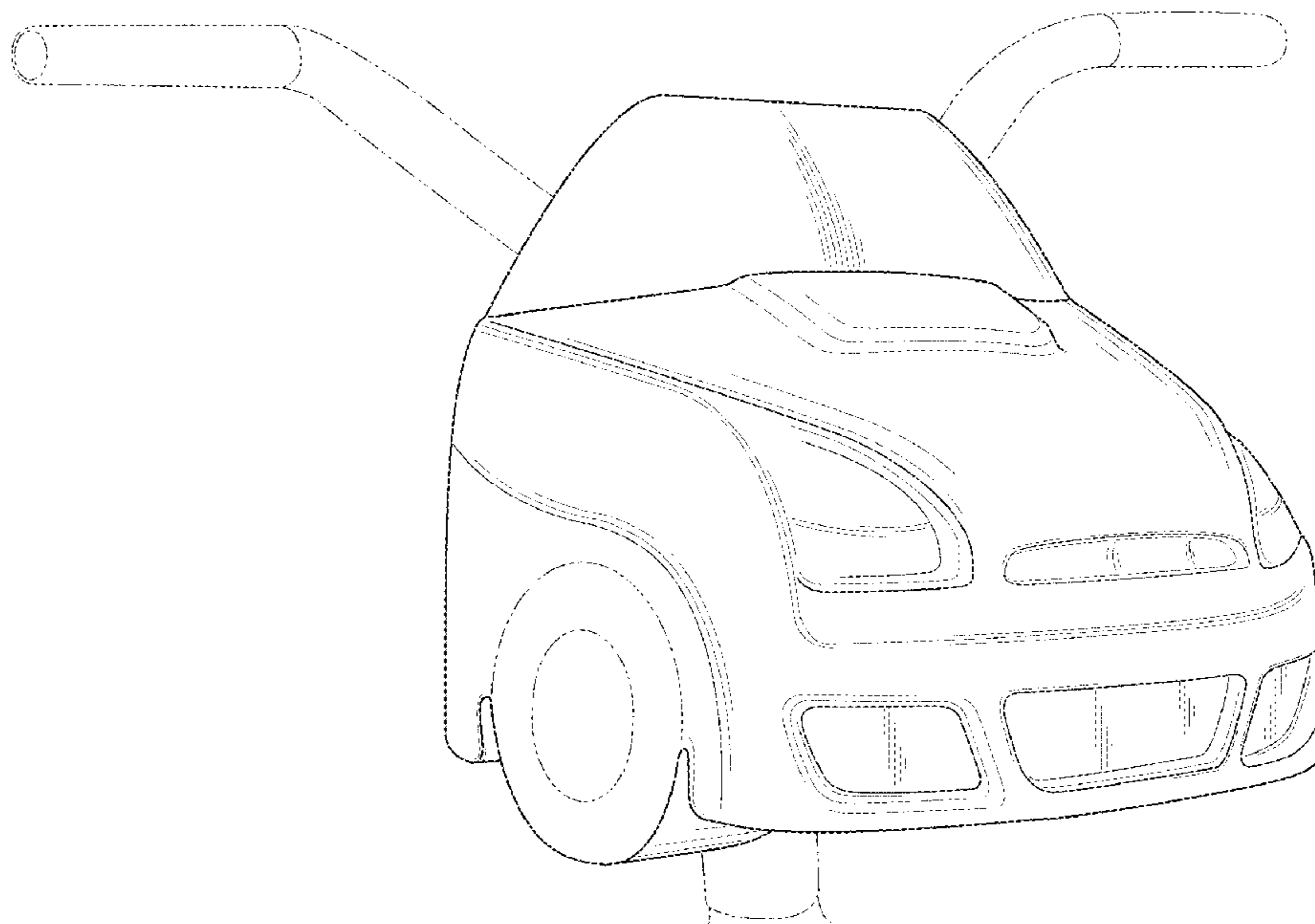
FIG. 4 is a right side elevation view of the bike front plate of FIG. 1;

FIG. 5 is a top plan view of the bike front plate of FIG. 1; and,

FIG. 6 is a bottom plan view of the bike front plate of FIG. 1.

The structure illustrated in broken lines is environmental in nature and forms no part of the claimed design.

1 Claim, 4 Drawing Sheets



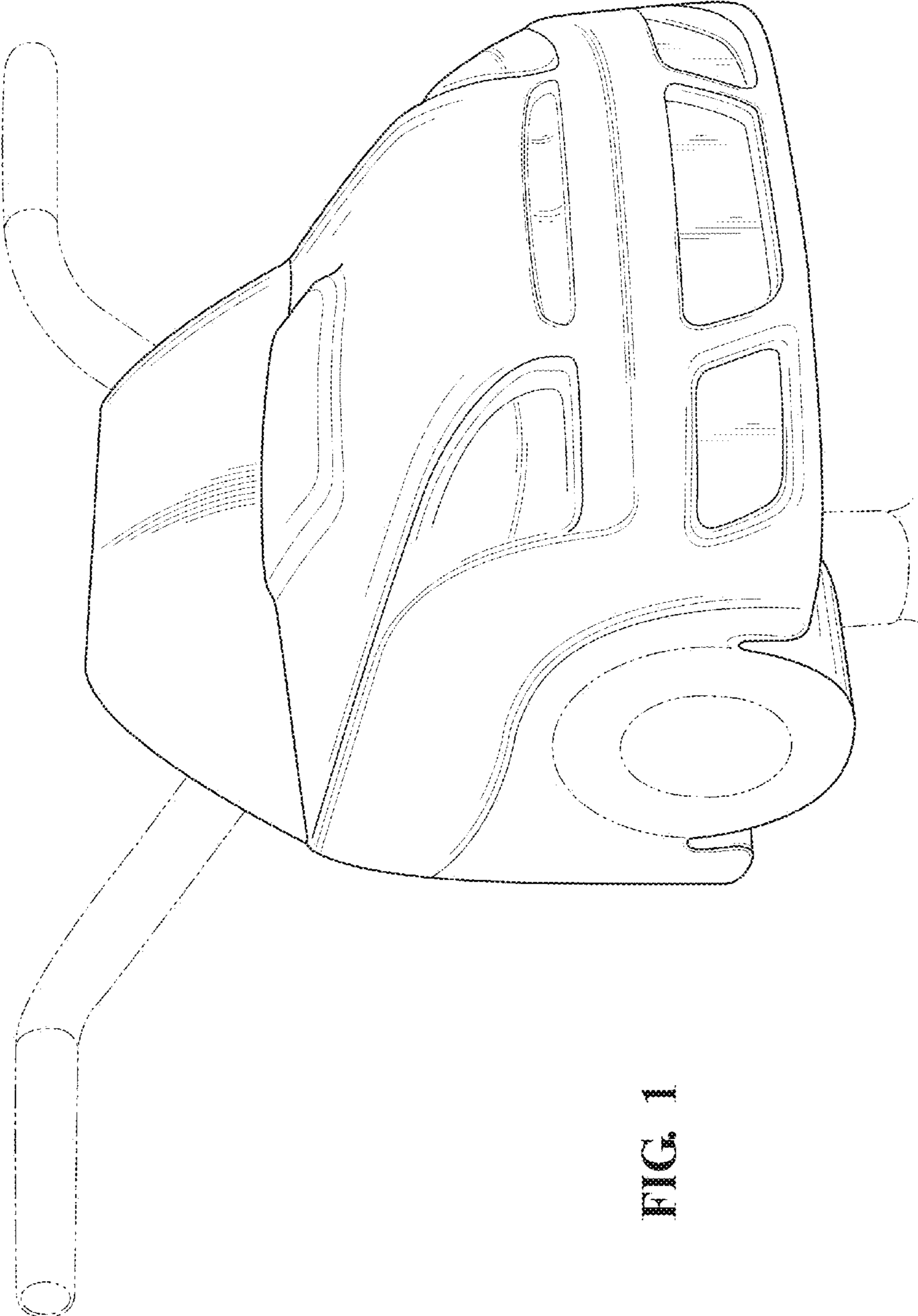


FIG. 1

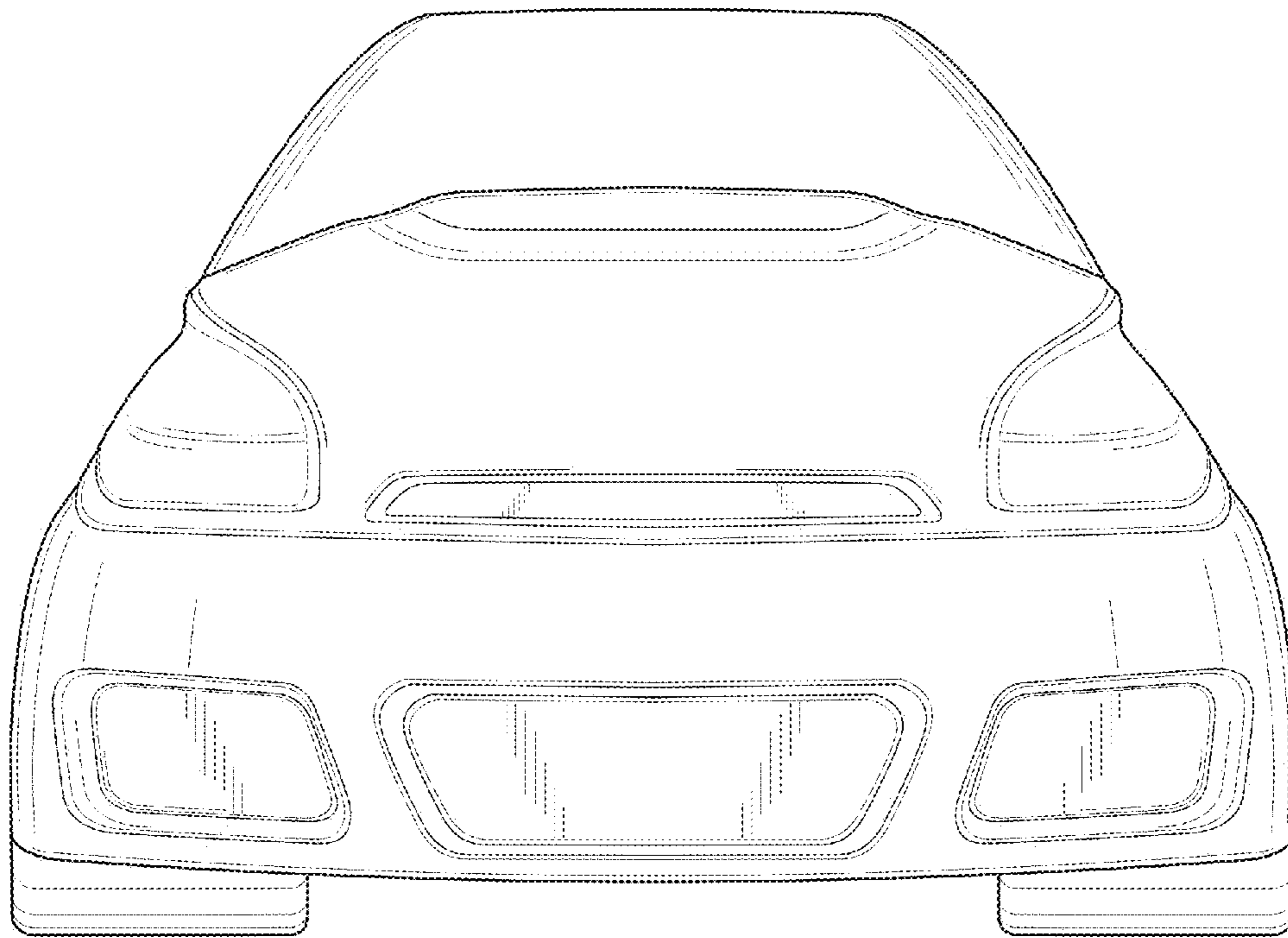


FIG. 2

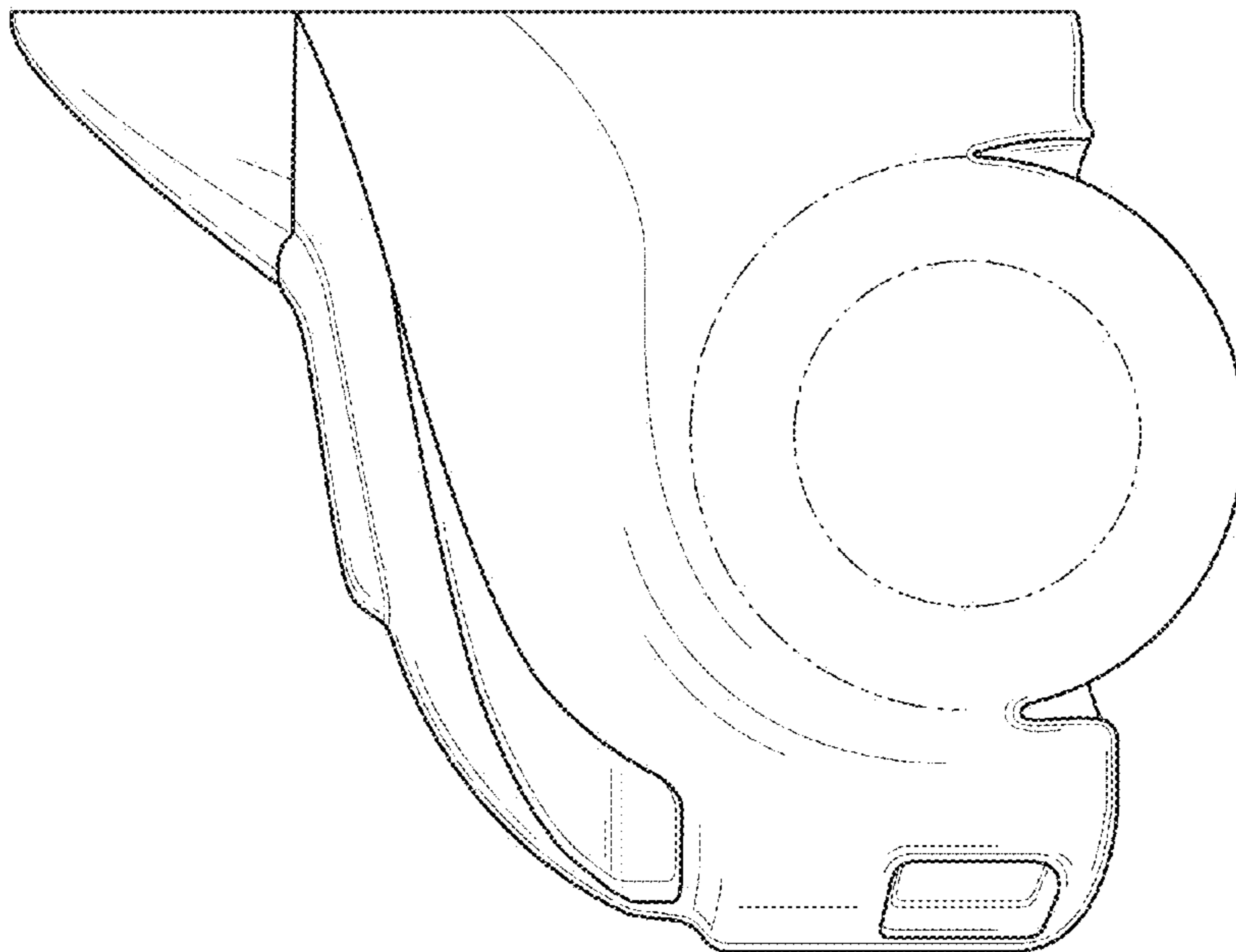


FIG. 4

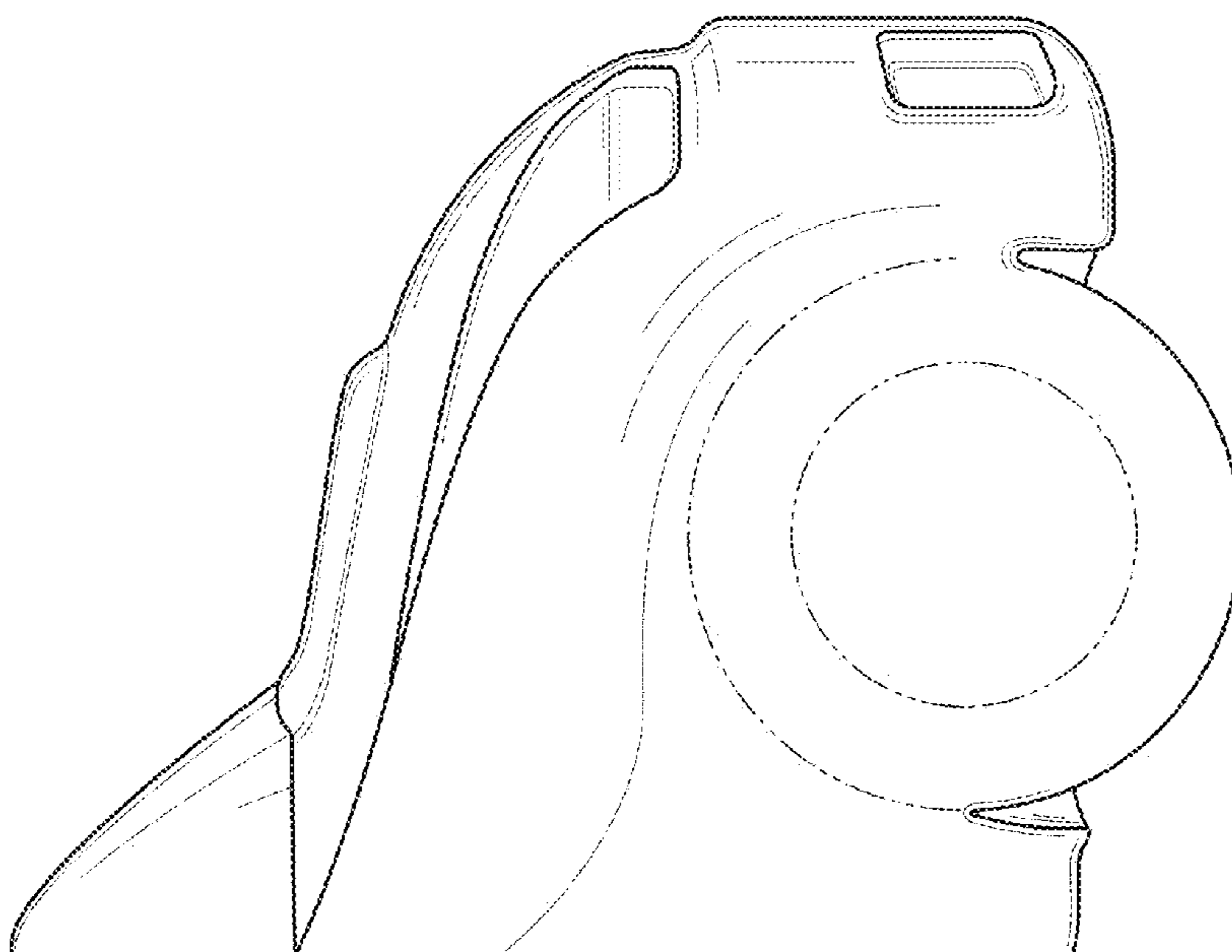


FIG. 3

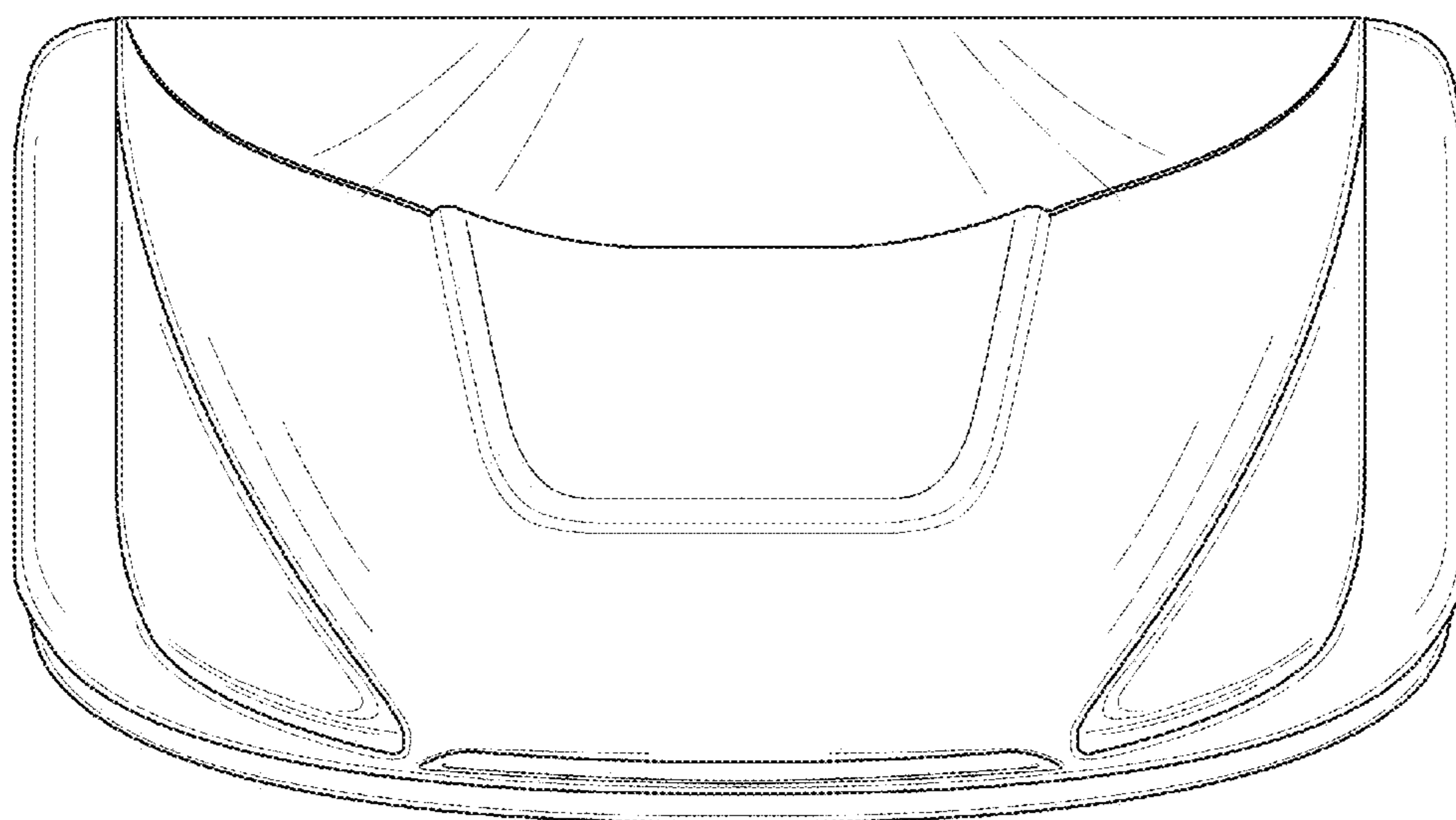


FIG. 5

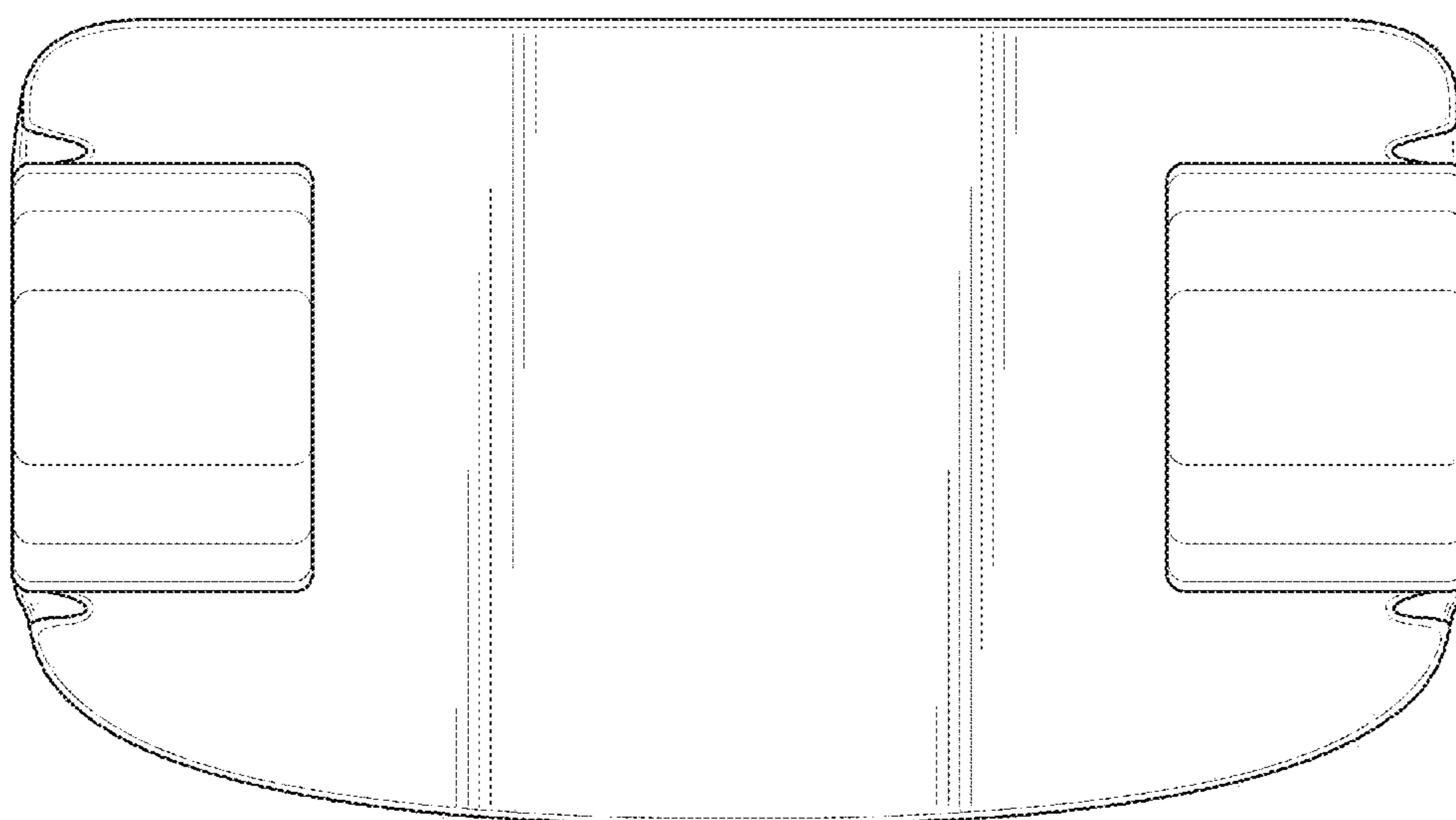


FIG. 6