



US00D715196S

(12) **United States Design Patent**  
**Yamashita**

(10) **Patent No.:** **US D715,196 S**

(45) **Date of Patent:** **\*\* Oct. 14, 2014**

(54) **MOTOR VEHICLE, TOY AND/OR REPLICA**

(56)

**References Cited**

(71) Applicant: **Dr. Ing. h.c. F. Porsche**  
**Aktiengesellschaft, Stuttgart (DE)**

(72) Inventor: **Shuichi Yamashita, Gerlingen (DE)**

(73) Assignee: **Dr. Ing. h.c. F. Porsche**  
**Aktiengesellschaft, Stuttgart (DE)**

(\*\*) Term: **14 Years**

(21) Appl. No.: **29/471,865**

(22) Filed: **Nov. 6, 2013**

(30) **Foreign Application Priority Data**

May 7, 2013 (DE) ..... 40 2013 100 379

(51) **LOC (10) Cl.** ..... **12-08**

(52) **U.S. Cl.**  
USPC ..... **D12/92**

(58) **Field of Classification Search**  
CPC ..... B62D 35/00  
USPC ..... D12/86, 90-92; D21/421, 433, 434;  
296/181.1, 181.5

See application file for complete search history.

U.S. PATENT DOCUMENTS

D690,232 S *	9/2013	Scheinhutte et al. ....	D12/92
D690,620 S *	10/2013	Scheinhutte et al. ....	D12/92
D696,159 S	12/2013	Borkert	
D697,453 S	1/2014	Borkert	
D700,545 S *	3/2014	Borkert .....	D12/92
D702,152 S *	4/2014	Borkert .....	D12/92
D703,585 S *	4/2014	Scheinhutte et al. ....	D12/92
D704,099 S *	5/2014	Varga .....	D12/92

\* cited by examiner

*Primary Examiner* — Melody N Brown

(74) *Attorney, Agent, or Firm* — RatnerPrestia

(57)

**CLAIM**

The ornamental design for a motor vehicle, toy and/or replica, as shown and described.

**DESCRIPTION**

FIG. 1 is a front perspective view of a motor vehicle, toy and/or replica;

FIG. 2 is a rear perspective view thereof;

FIG. 3 is front elevation view thereof;

FIG. 4 is a rear elevation view thereof;

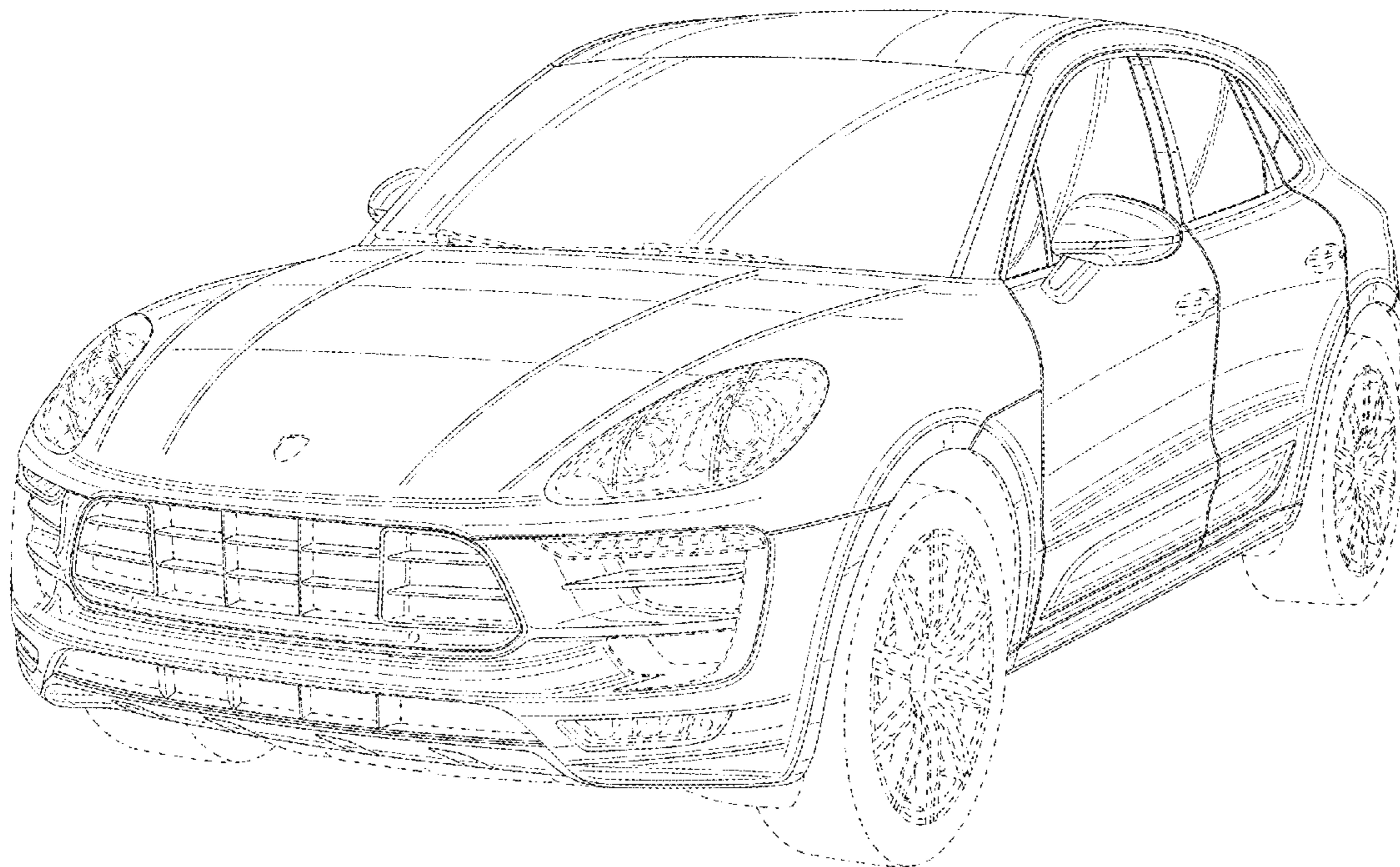
FIG. 5 is a right side elevation view thereof;

FIG. 6 is a left side elevation view thereof; and,

FIG. 7 is a top plan view thereof.

The broken line showing of the motor vehicle, toy and/or replica forms no part of the claimed design.

**1 Claim, 7 Drawing Sheets**



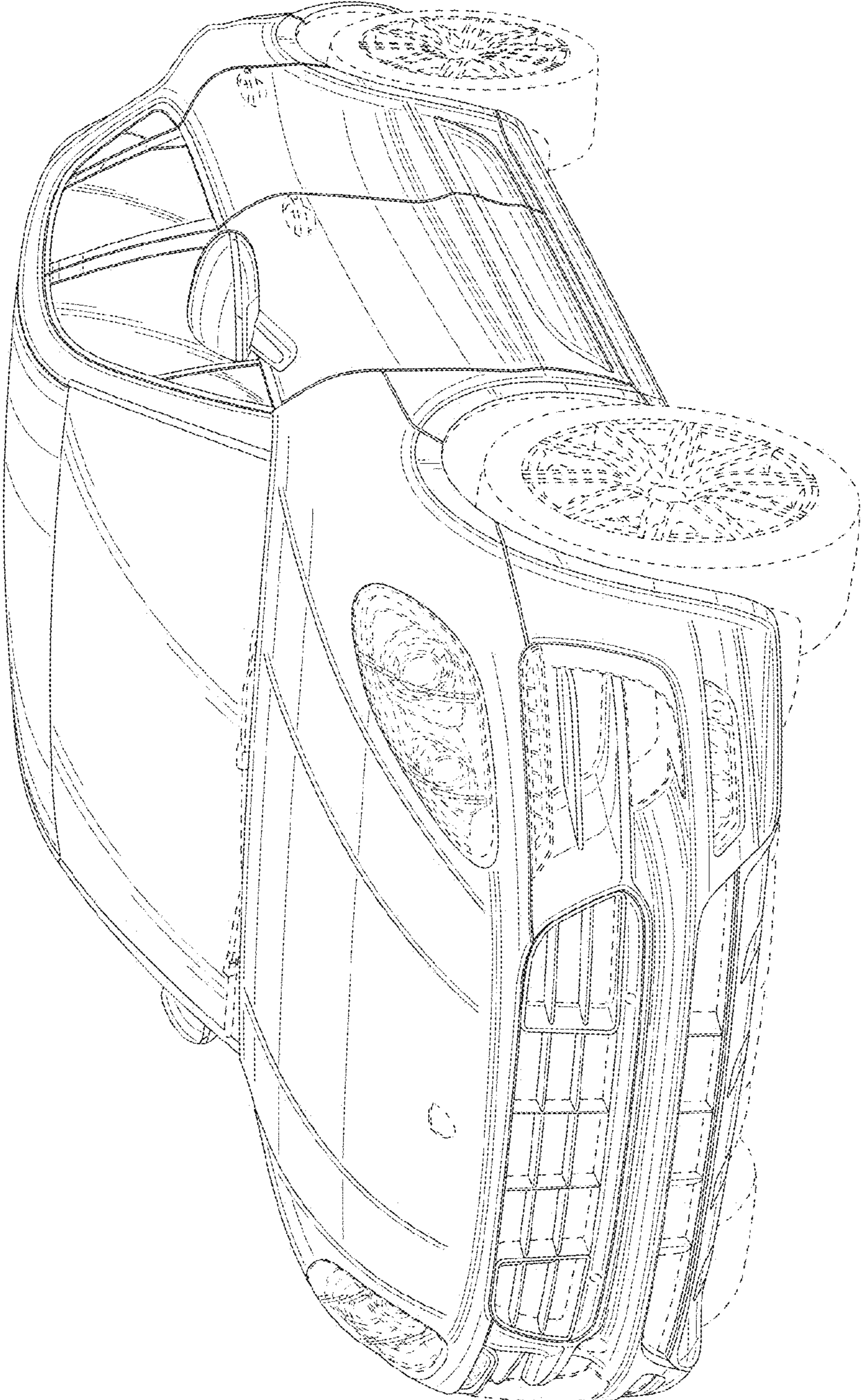


FIG. 1



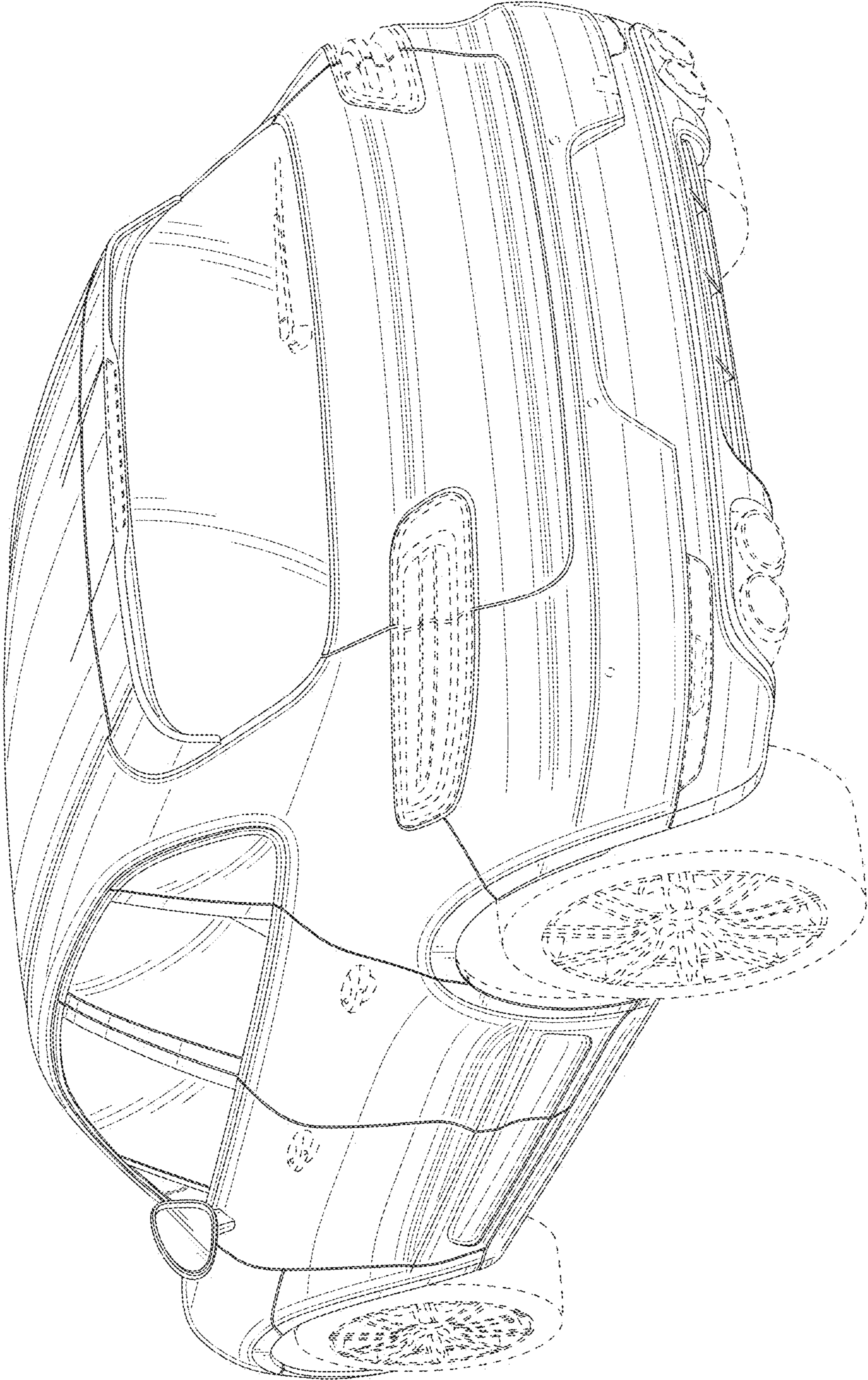


FIG. 2

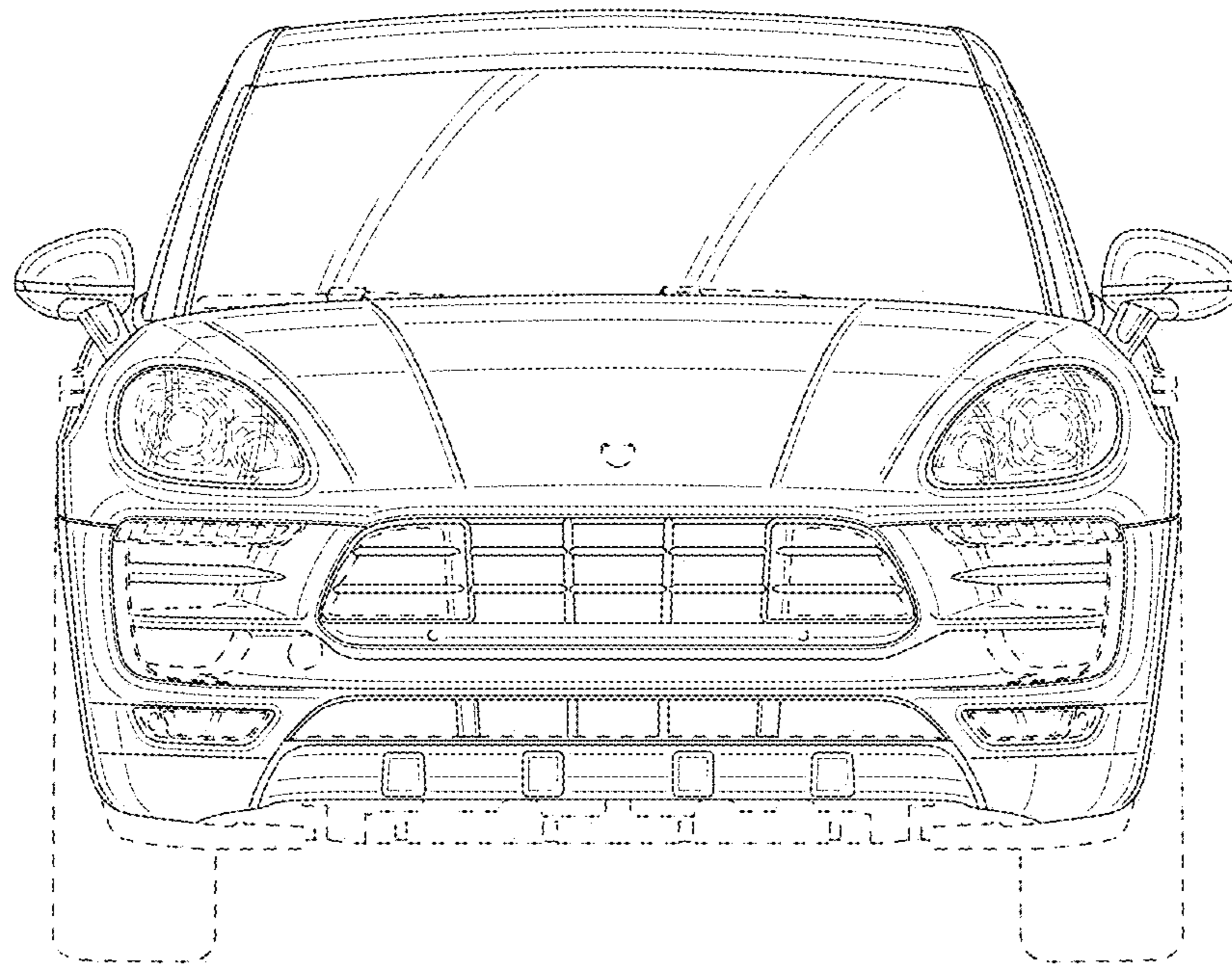


FIG. 3

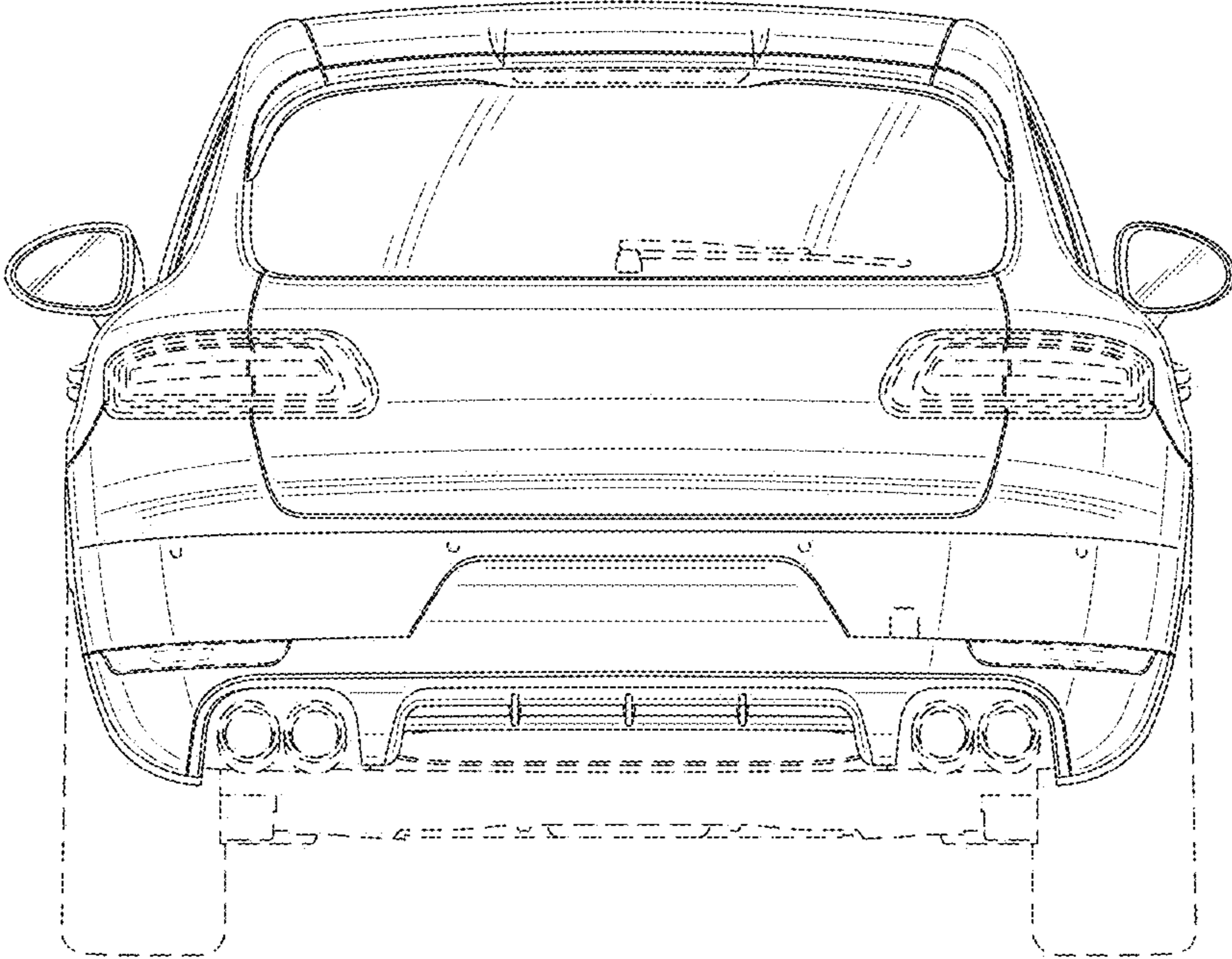


FIG. 4



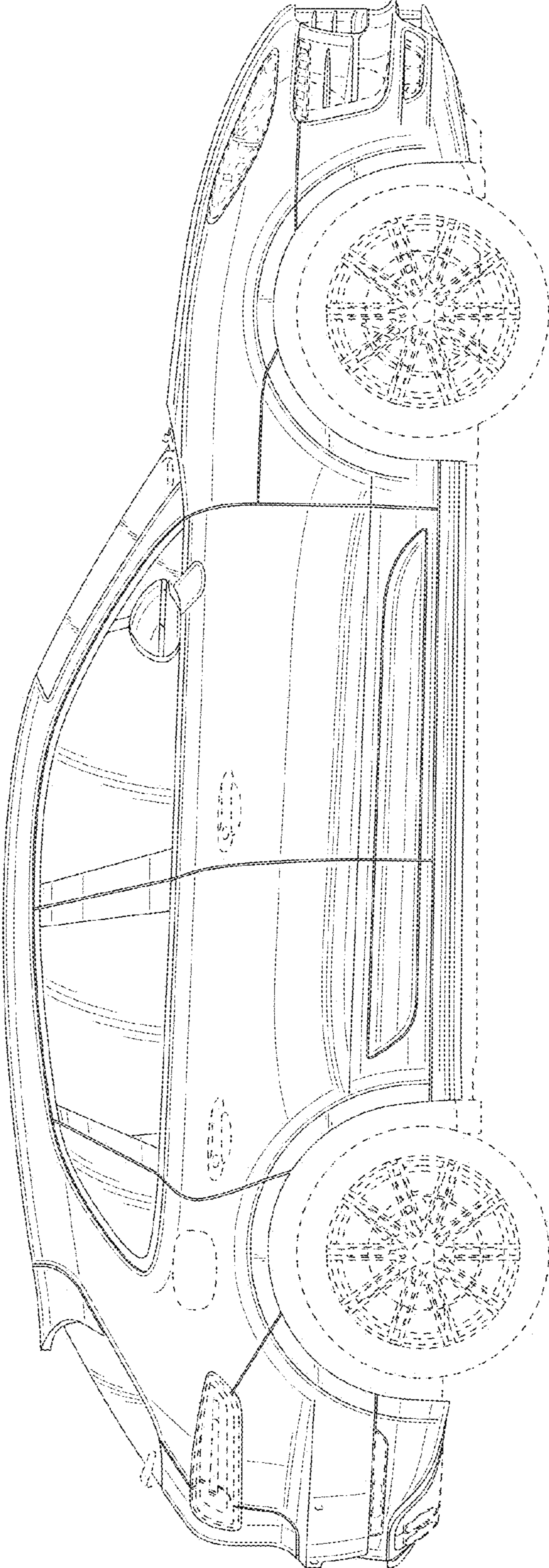


FIG. 5

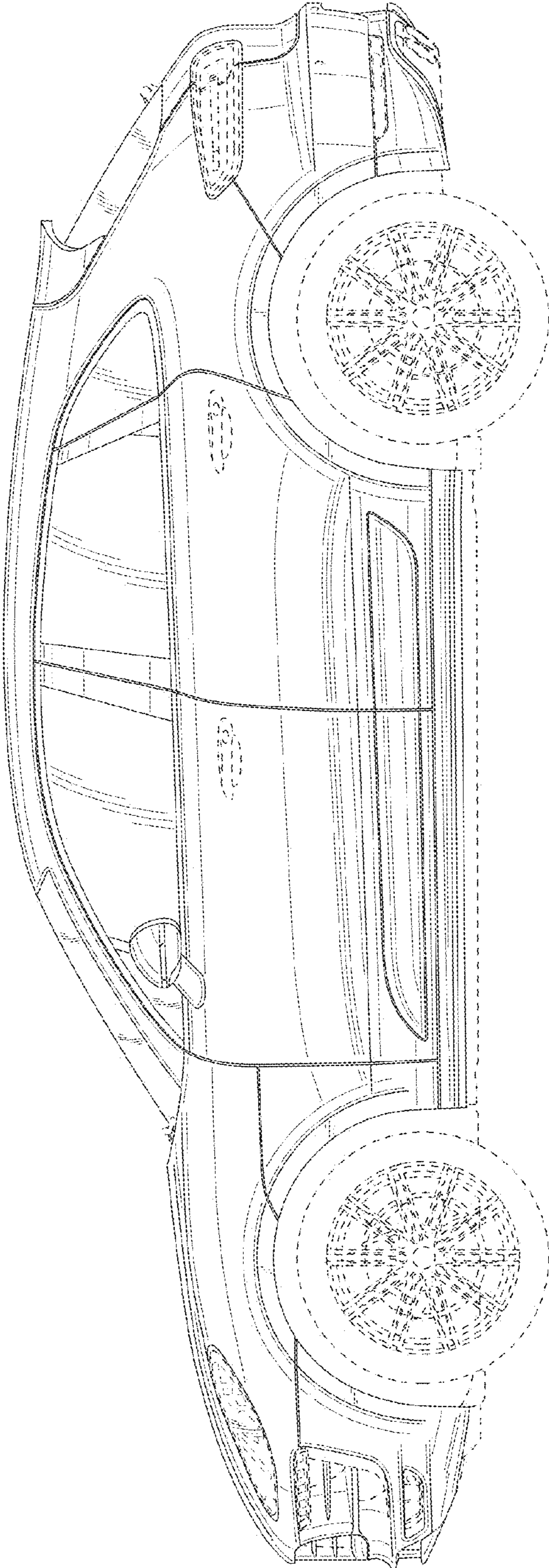


FIG. 6

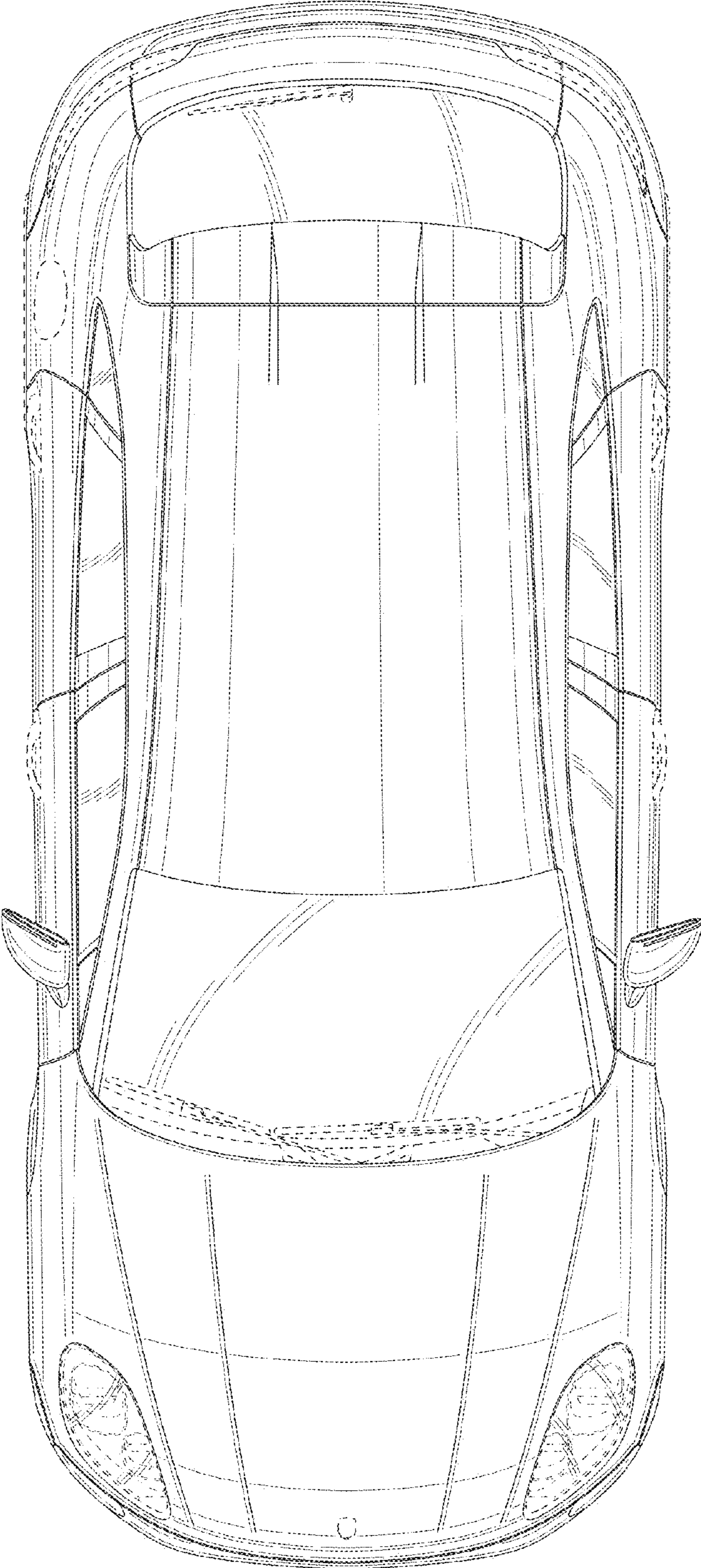


FIG. 7