



US00D715186S

(12) **United States Design Patent**
Kung

(10) **Patent No.:** **US D715,186 S**
(45) **Date of Patent:** **** Oct. 14, 2014**

- (54) **SIDE-RELEASE BELT BUCKLE**
- (71) Applicant: **Merrimack River Precision Industrial Corporation, Taipei (TW)**
- (72) Inventor: **Tsung-Ming Kung, Taipei (TW)**
- (73) Assignee: **Merrimack River Precision Industrial Corporation, Taipei (TW)**
- (**) Term: **14 Years**
- (21) Appl. No.: **29/488,520**
- (22) Filed: **Apr. 21, 2014**
- (51) **LOC (10) Cl.** **02-07**
- (52) **U.S. Cl.**
USPC **D11/216**
- (58) **Field of Classification Search**
CPC A44B 11/00; A44B 11/25; A44B 21/00;
A44B 17/00
USPC D11/1-2, 200-201, 206-210, 214-218;
24/163 R, 169-171, 173, 177-179, 191,
24/194-195, 197, 200, 614-616, 625, 198,
24/578.11, 578.1, 163 K, 114, 307
See application file for complete search history.

- (56) **References Cited**
U.S. PATENT DOCUMENTS

D619,042 S *	7/2010	Uehara	D11/216
D637,941 S *	5/2011	Paik	D11/216
D646,999 S *	10/2011	Kawaguchi	D11/218
D649,086 S *	11/2011	Kaneko	D11/216
D667,338 S *	9/2012	Kaneko	D11/216
D686,530 S *	7/2013	Paik et al.	D11/216
D701,139 S *	3/2014	Kadoishi	D11/216

* cited by examiner

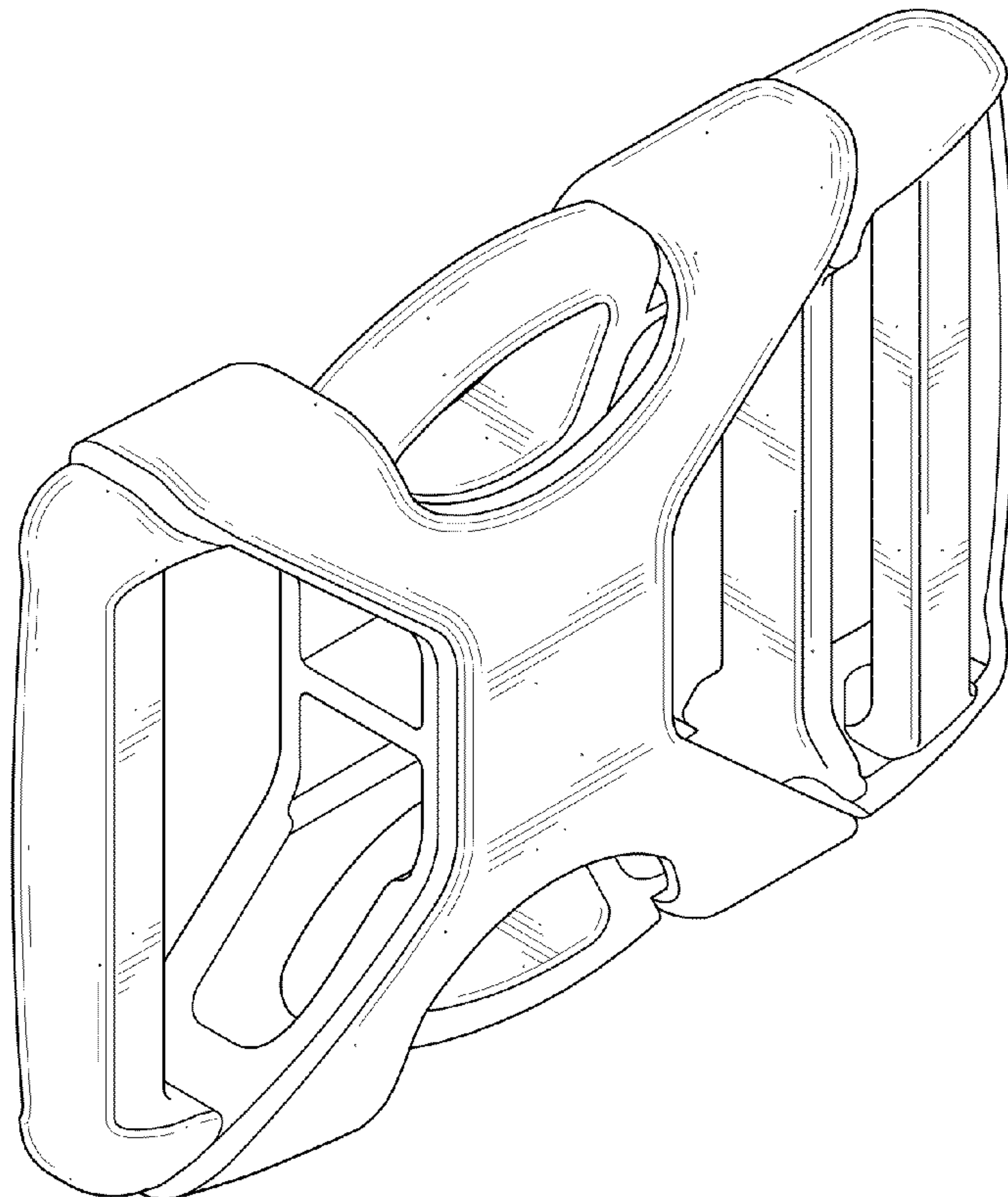
Primary Examiner — Ralf Seifert
(74) *Attorney, Agent, or Firm* — WPAT, P.C.; Anthony King

(57) **CLAIM**
The ornamental design for a side-release belt buckle, as shown.

DESCRIPTION

FIG. 1 is a perspective view of a side-release belt buckle showing my new design;
FIG. 2 is a front view thereof;
FIG. 3 is a rear view thereof;
FIG. 4 is a left side view thereof;
FIG. 5 is a right side view thereof;
FIG. 6 is a top view thereof;
FIG. 7 is a bottom view thereof;
FIG. 8 is an exploded perspective view thereof; and,
FIG. 9 is another exploded perspective view thereof.

1 Claim, 7 Drawing Sheets



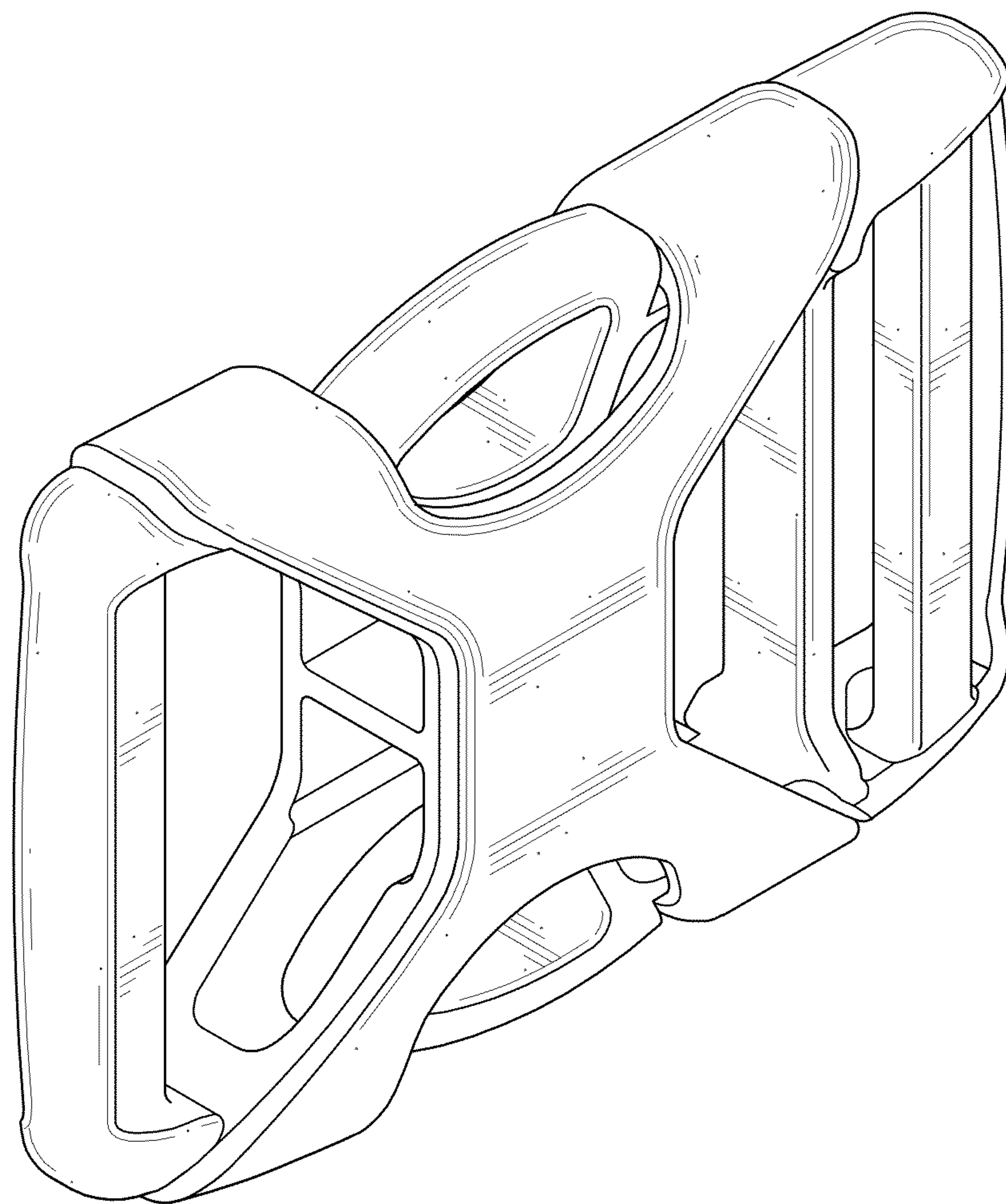


FIG. 1

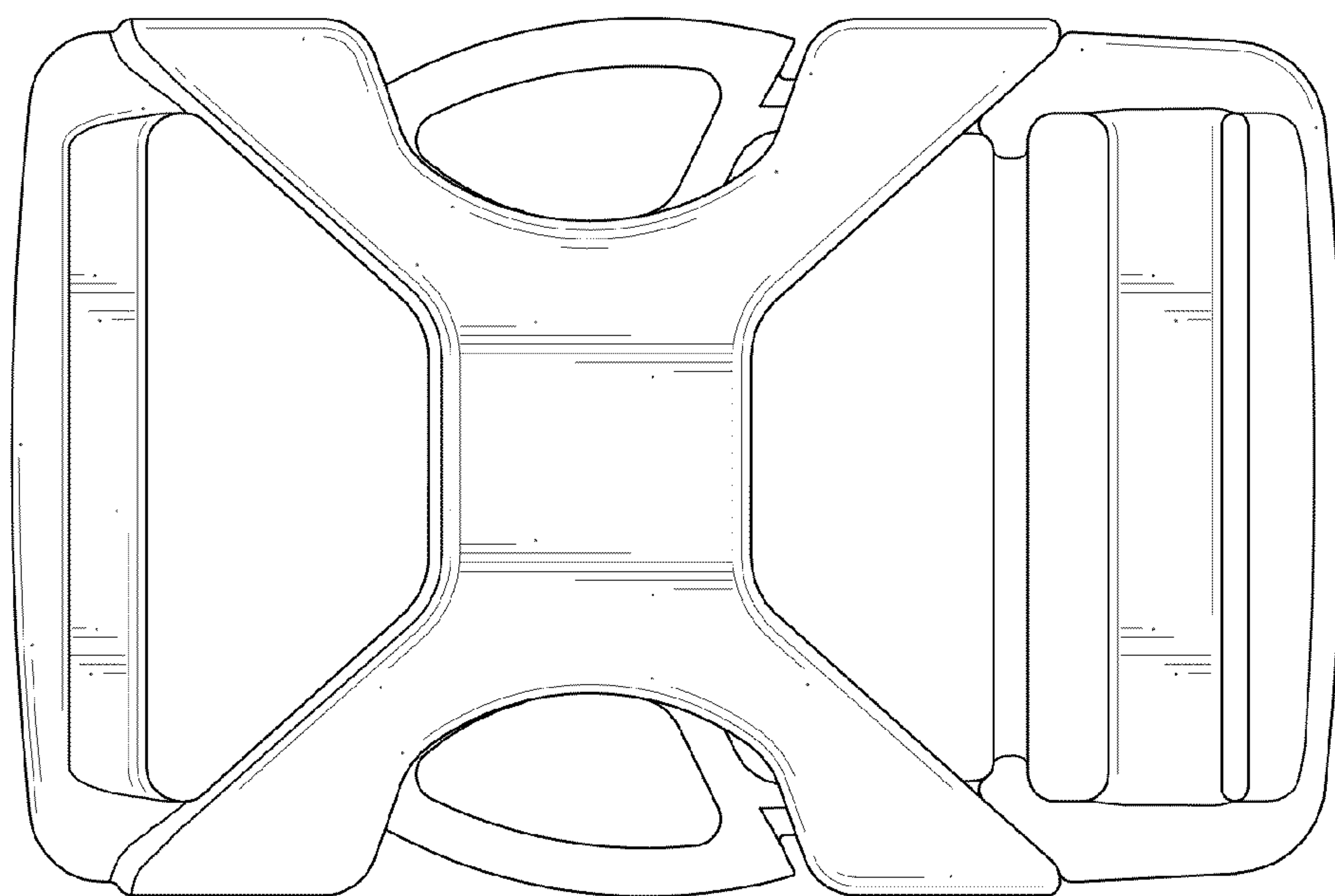


FIG. 2

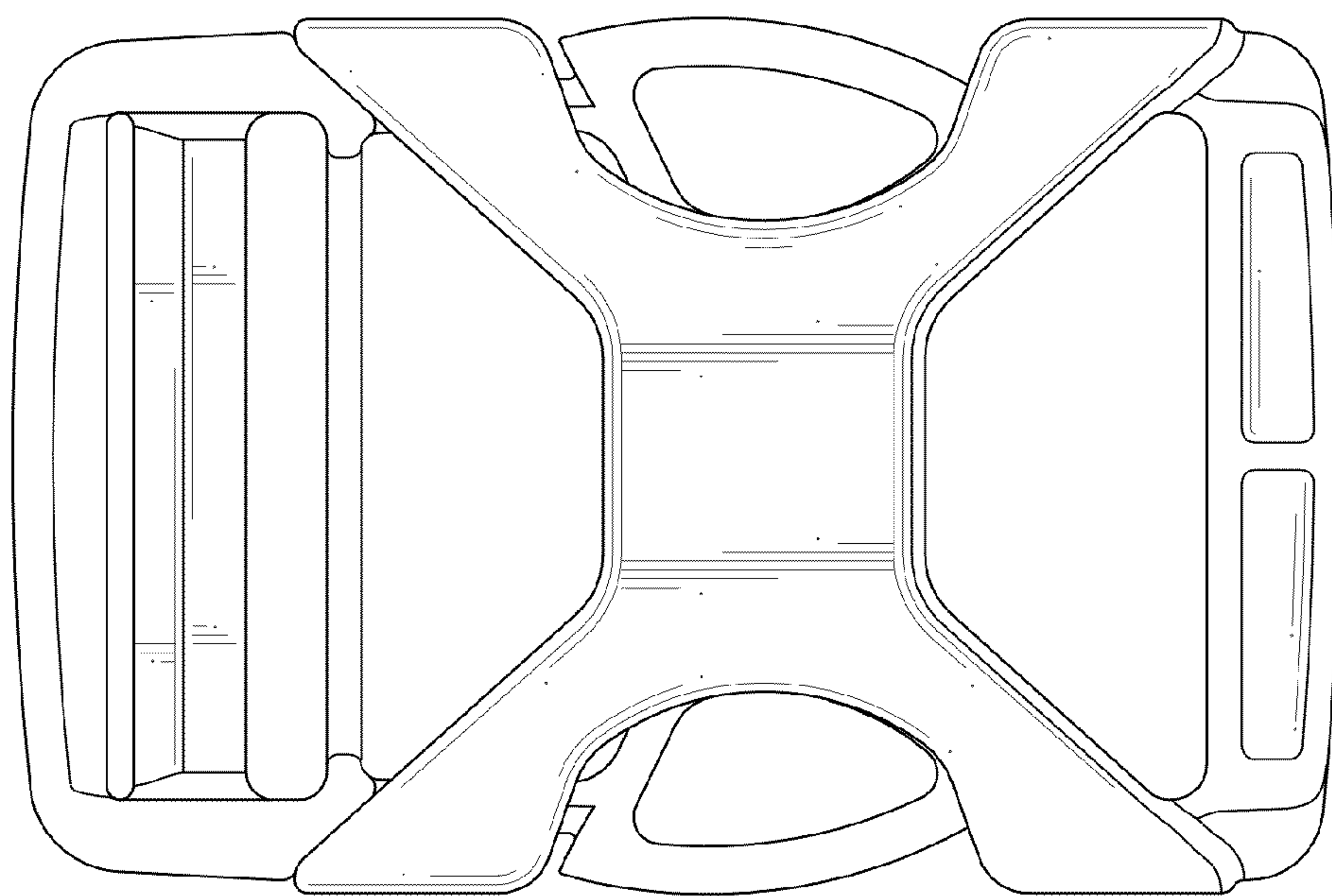


FIG. 3

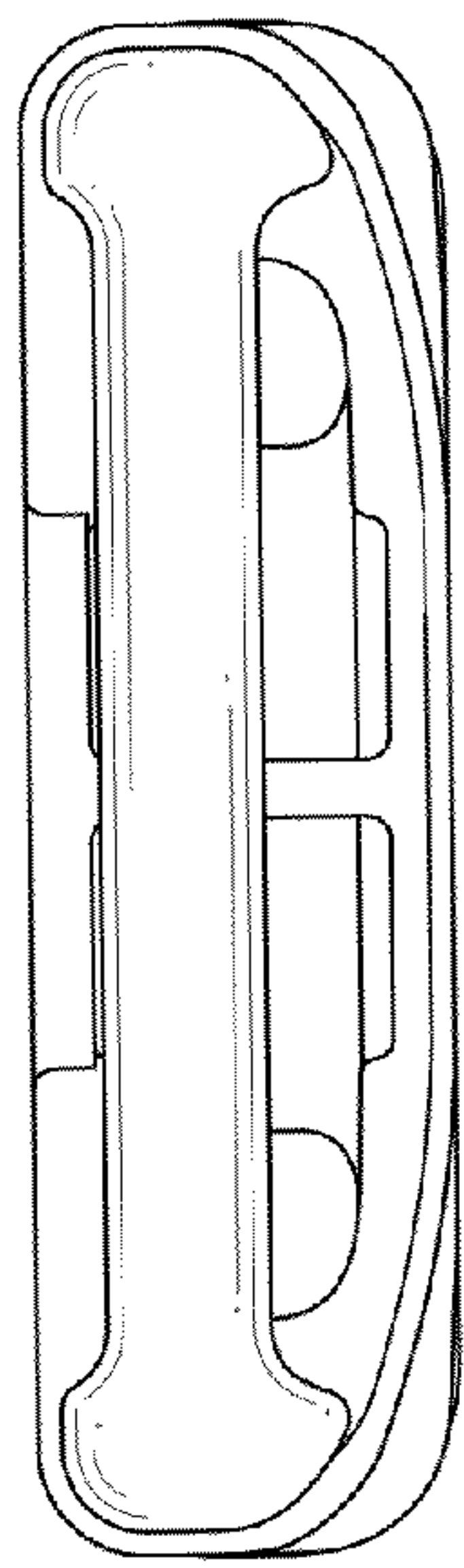


FIG. 4

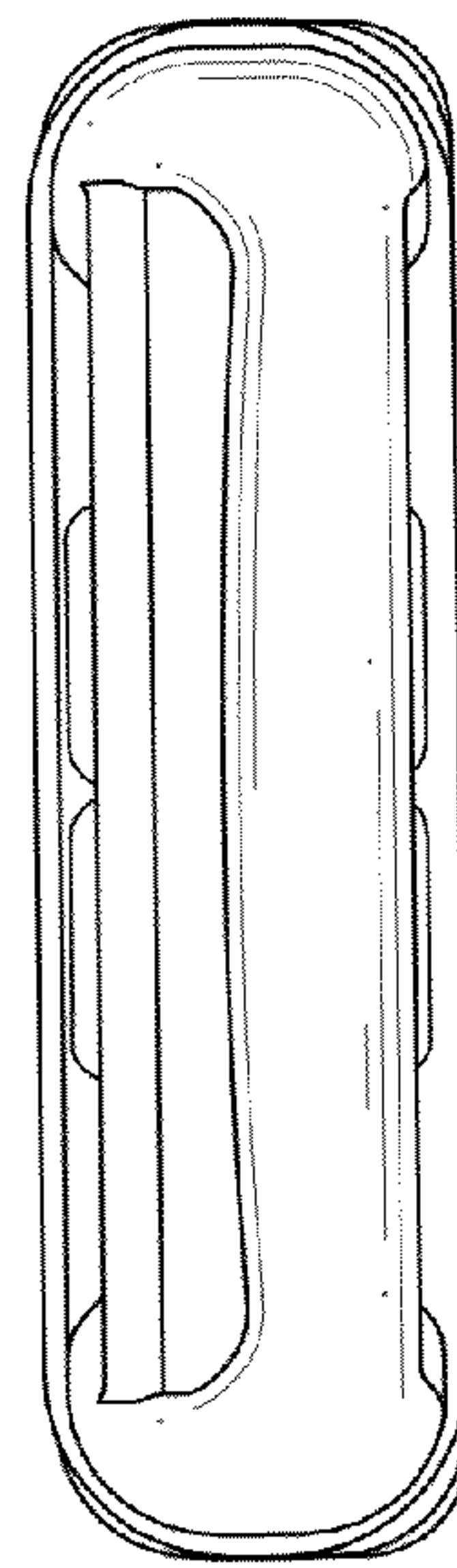


FIG. 5

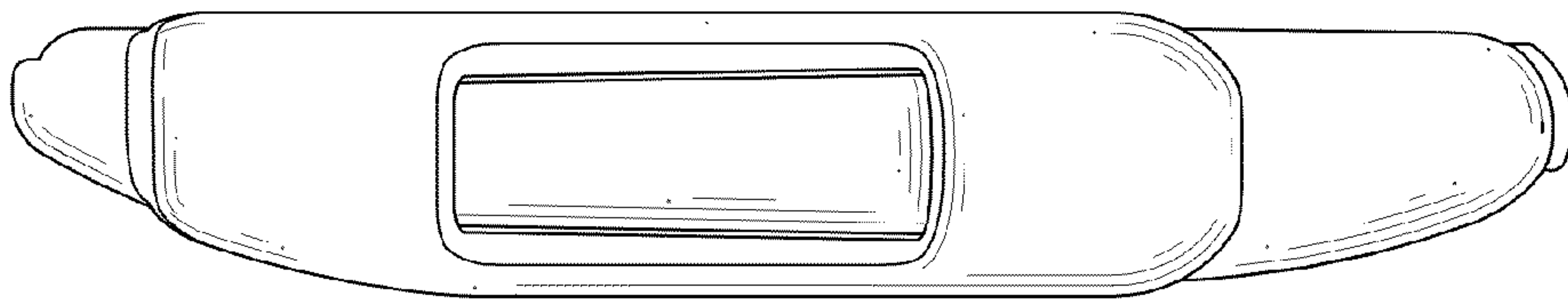


FIG. 6

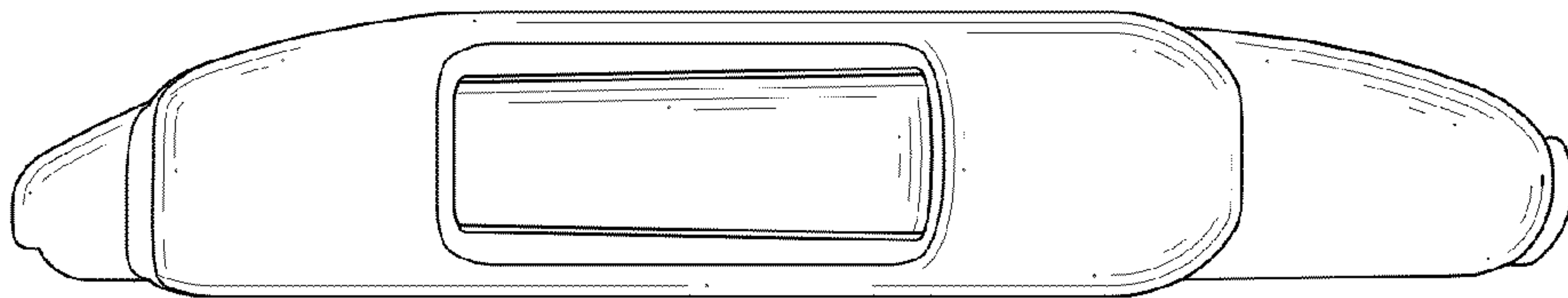


FIG. 7

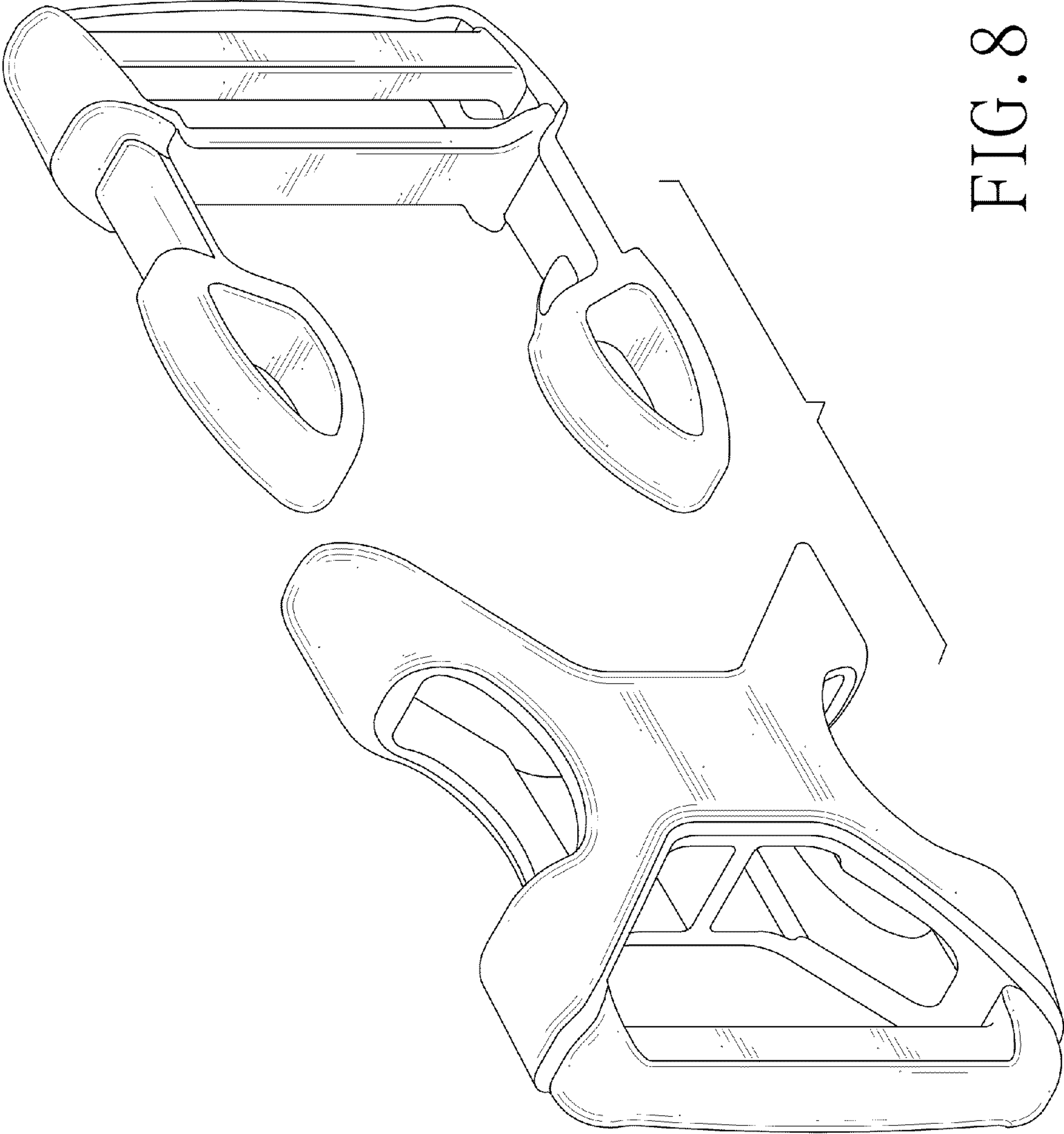


FIG. 8

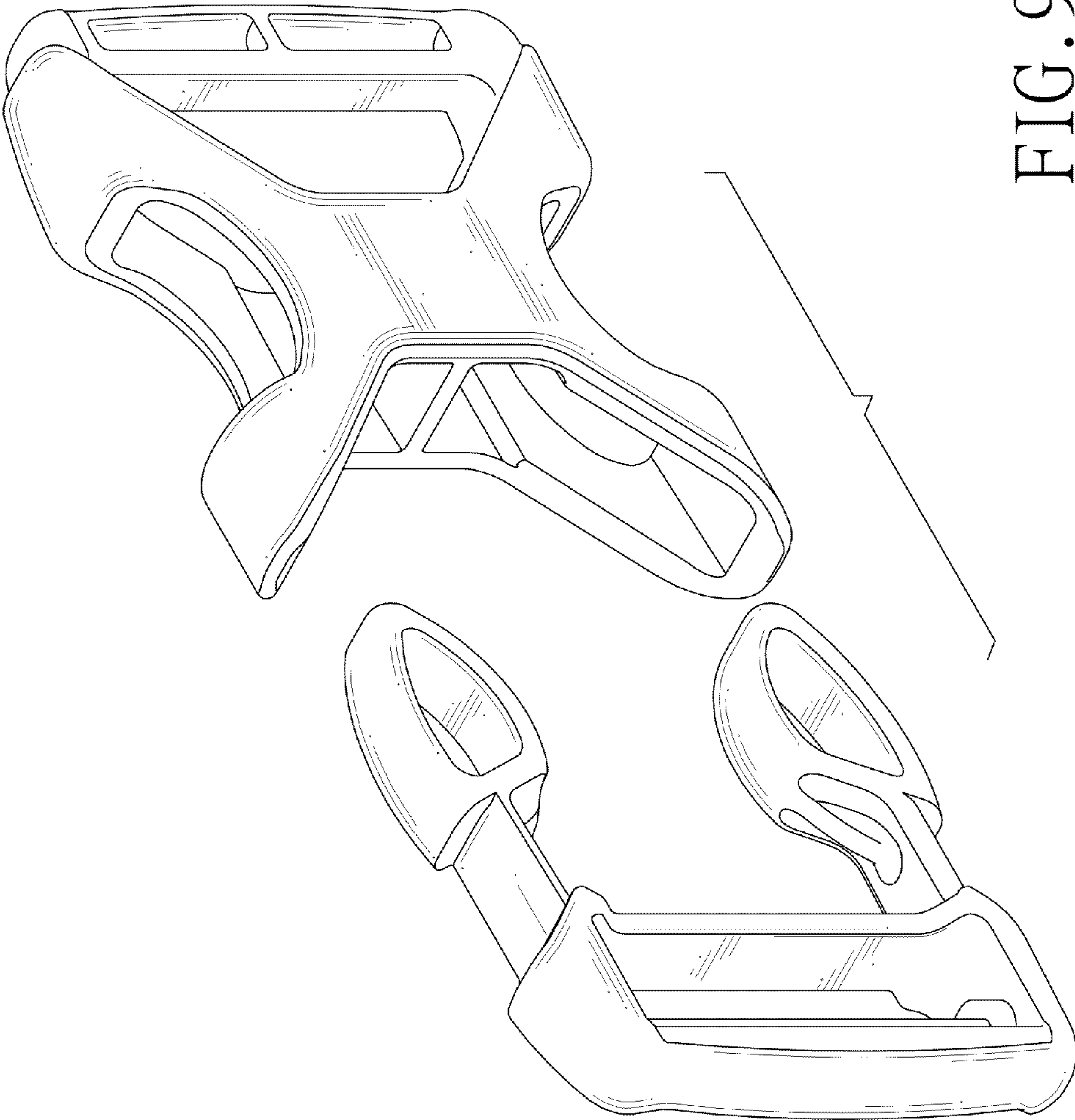


FIG. 9