

US00D715184S

(12) **United States Design Patent**
Howard McElroy

(10) **Patent No.:** **US D715,184 S**
(45) **Date of Patent:** **** Oct. 14, 2014**

(54) **MAGNETIC CLASP**

6,606,767 B2 8/2003 Wong

* cited by examiner

(71) Applicant: **J. Howard & Associates Inc.**,
Coronado, CA (US)

Primary Examiner — Ralf Seifert

(72) Inventor: **Janice Howard McElroy**, Coronado,
CA (US)

(74) *Attorney, Agent, or Firm* — Marc E. Hankin; Kevin Schraven; Jimmy Sauz

(**) Term: **14 Years**

(57) **CLAIM**

The ornamental design for a magnetic clasp, as shown and described.

(21) Appl. No.: **29/482,311**

DESCRIPTION

(22) Filed: **Feb. 17, 2014**

FIG. 1 is an illustration of a perspective view of the magnetic clasp showing my new design.

(51) **LOC (10) Cl.** **02-07**

FIG. 2 is an illustration of an exploded front perspective view thereof.

(52) **U.S. Cl.**

USPC **D11/200**

FIG. 3 is an illustration of an interior elevational view of a first half of the magnetic clasp.

(58) **Field of Classification Search**

USPC D11/1-2, 200-201, 206-210, 214-218;
24/163 R, 169-171, 173, 177-179, 191,
24/194-195, 197, 200, 614-616, 625, 198,
24/578.11, 578.1, 163 K, 114; D8/394

FIG. 4 is an illustration of an exterior elevational view thereof.

FIG. 5 is an illustration of a side elevational view thereof.

FIG. 6 is an illustration of a front elevational view thereof.

FIG. 7 is an illustration of a back elevational view thereof; and,

See application file for complete search history.

FIG. 8 is an illustration of an exterior perspective view thereof, and shows a decorative outer portion.

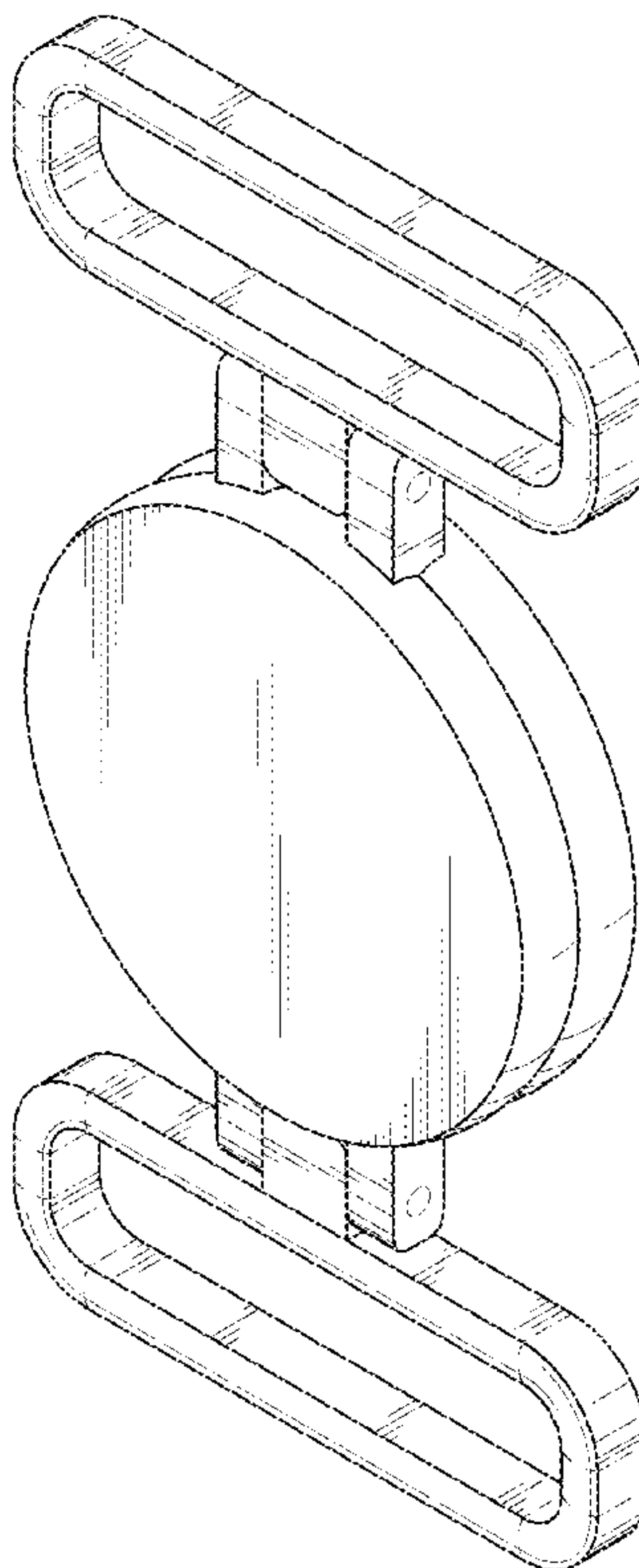
The broken lines showing the hinge pin, magnet rivets, and decorative outer portions, are for the purpose of illustrating environmental structure and unclaimed subject matter and form no part of the claimed design.

(56) **References Cited**

U.S. PATENT DOCUMENTS

1,698,114	A	*	1/1929	Agnini et al.	24/310
D196,908	S	*	11/1963	Di Mascolo	D11/212
D274,862	S	*	7/1984	Fildan	D11/208
D475,653	S	*	6/2003	Fildan et al.	D11/216

1 Claim, 7 Drawing Sheets



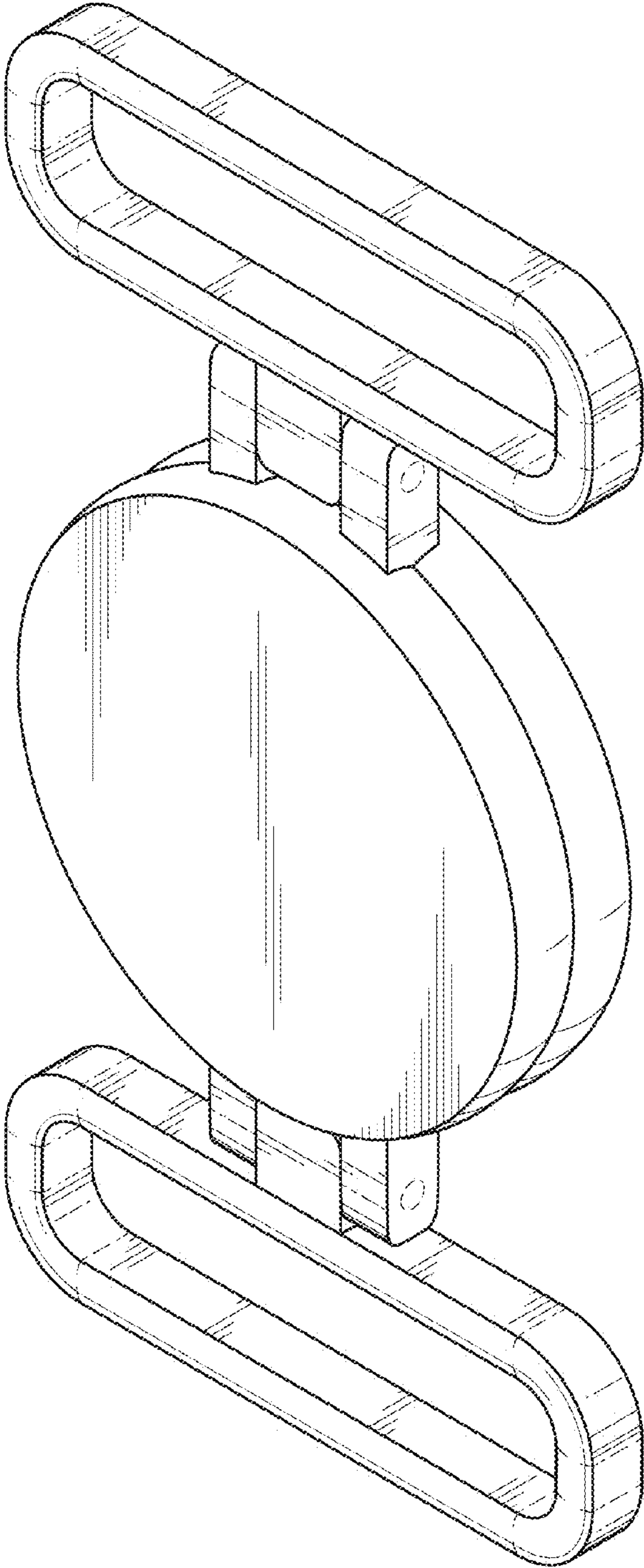


FIG. 1

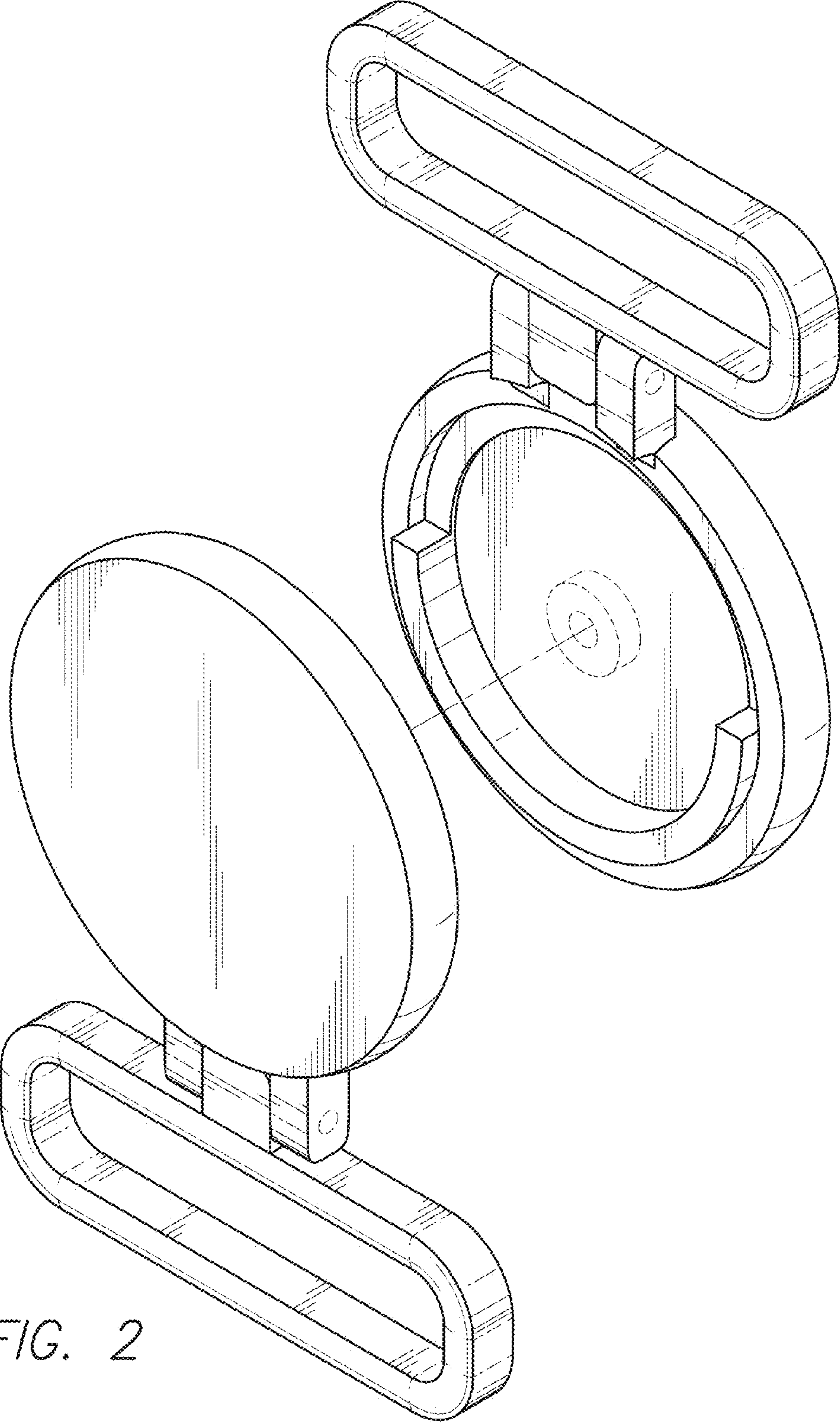


FIG. 2

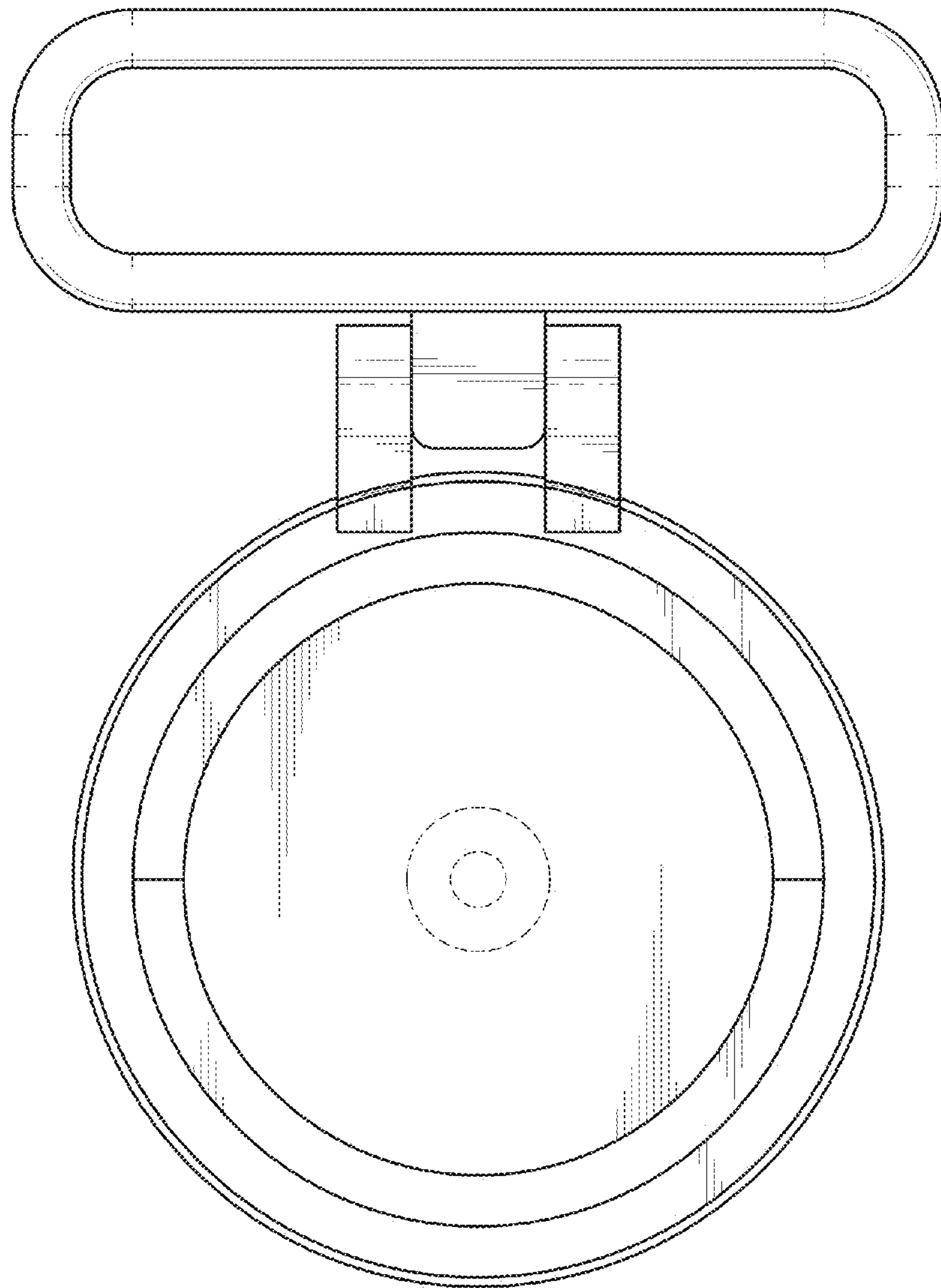


FIG. 3

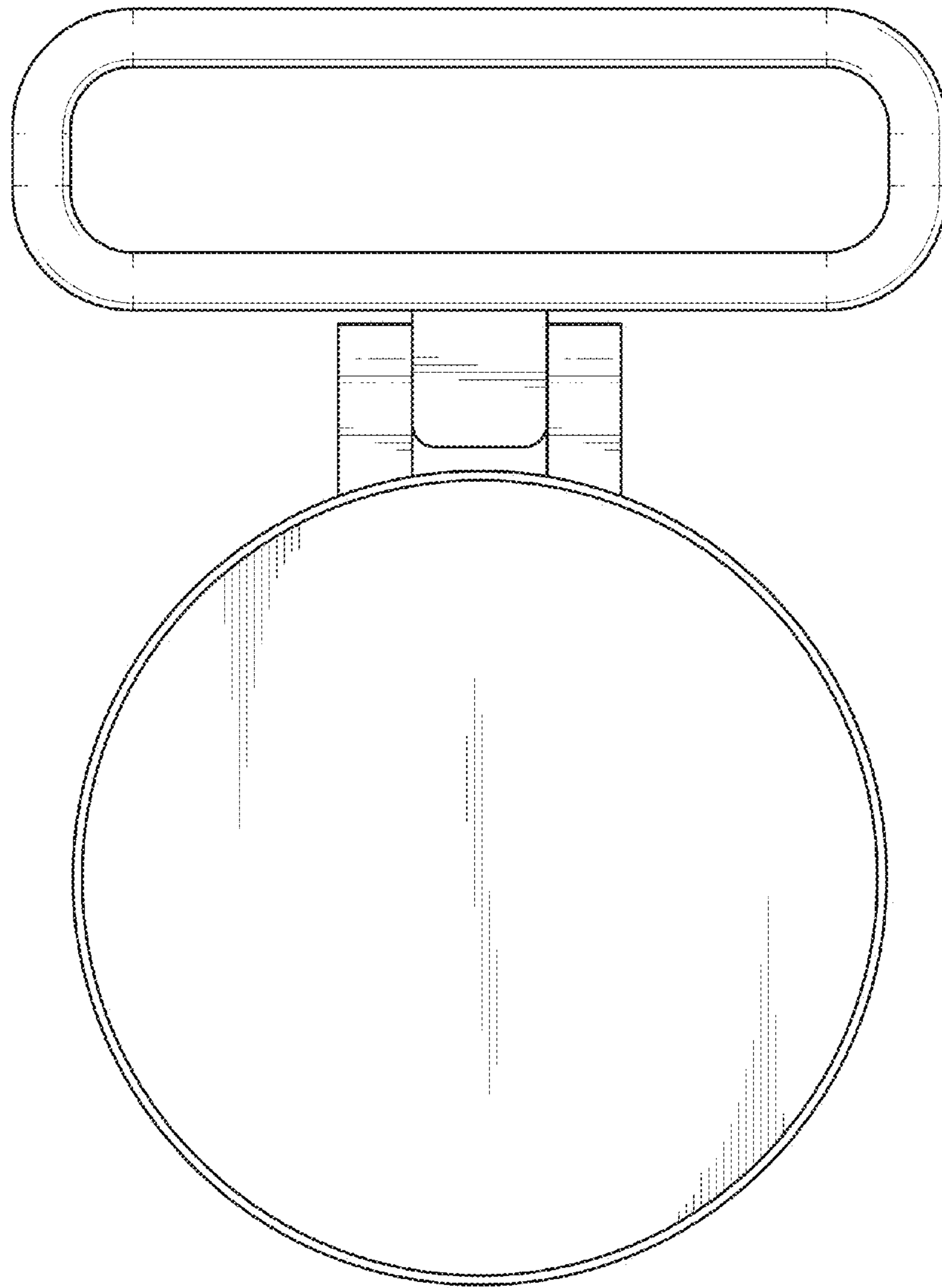


FIG. 4



FIG. 5

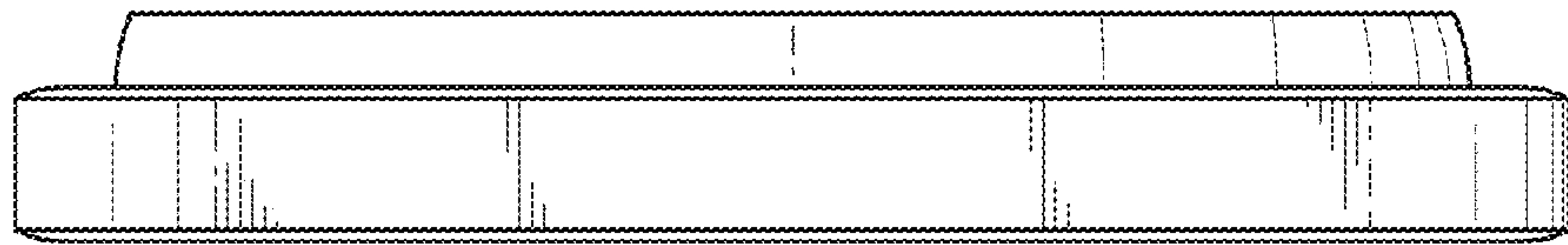


FIG. 6

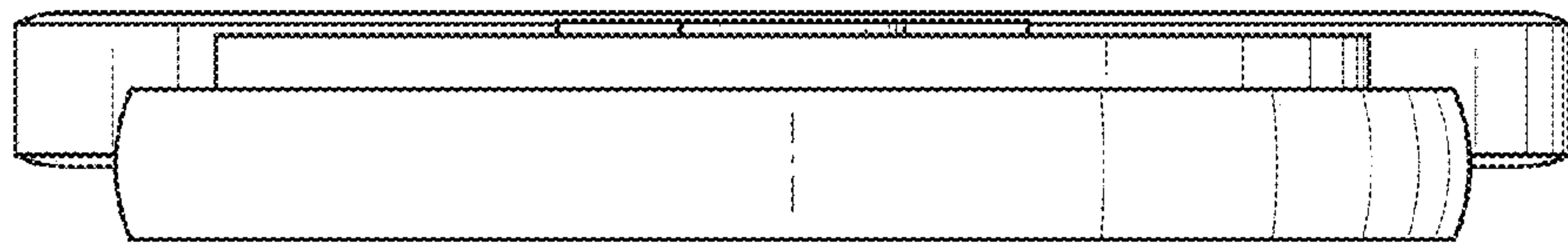


FIG. 7

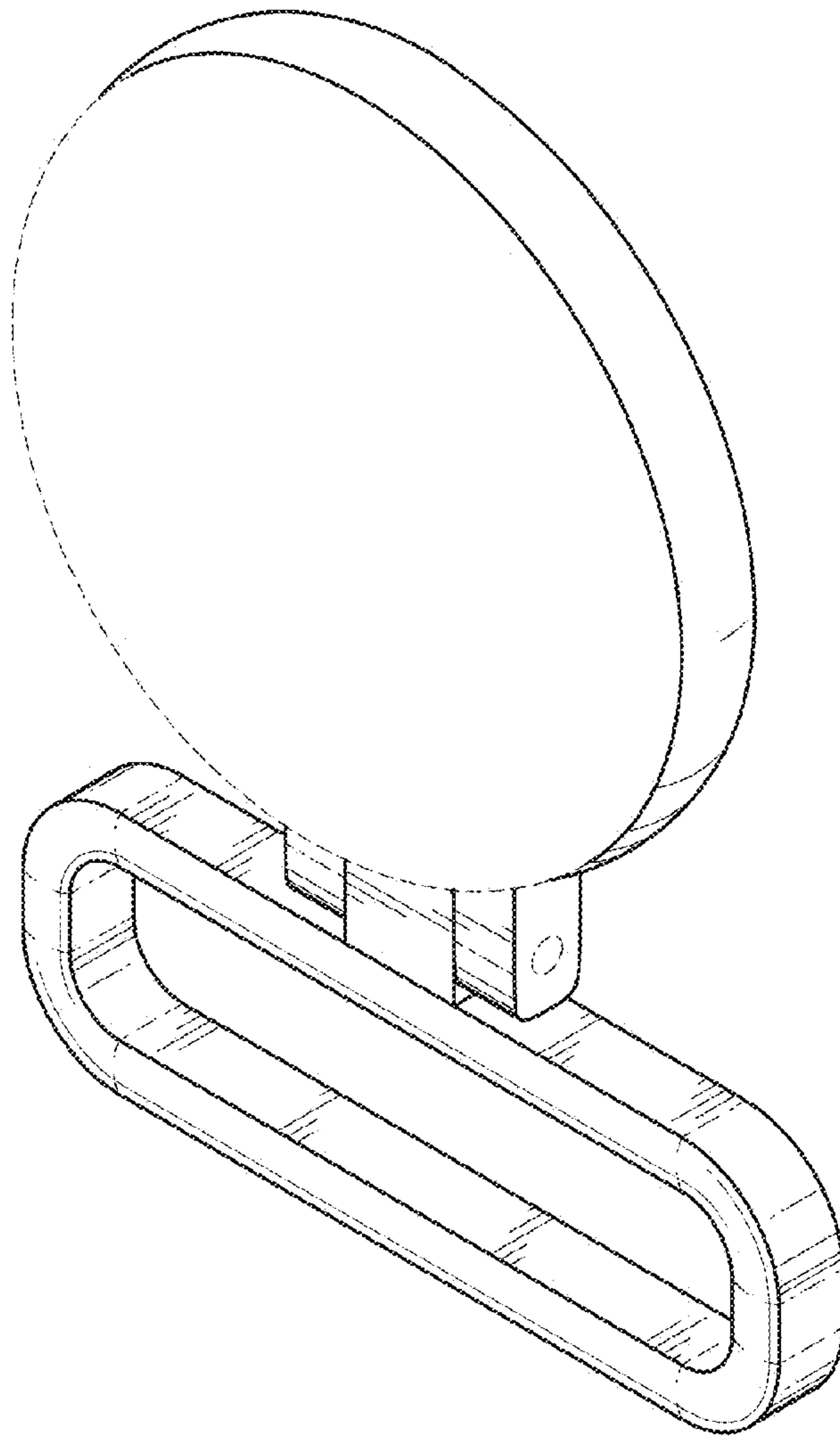


FIG. 8