



US00D715182S

(12) **United States Design Patent**
Nomura et al.

(10) **Patent No.:** **US D715,182 S**
(45) **Date of Patent:** **** Oct. 14, 2014**

(54) **HYDROPONIC CULTIVATING DEVICE**

(71) Applicant: **Asahi Kasei Homes Corporation,**
Tokyo (JP)

(72) Inventors: **Yu Nomura,** Tokyo (JP); **Yuya Watanabe,** Tokyo (JP); **Katsuhiro Tsuno,** Tokyo (JP)

(73) Assignee: **Asahi Kasei Homes Corporation,**
Tokyo (JP)

(**) Term: **14 Years**

(21) Appl. No.: **29/464,651**

(22) Filed: **Aug. 20, 2013**

(30) **Foreign Application Priority Data**

Feb. 26, 2013 (JP) D2013-004003

(51) **LOC (10) Cl.** **11-02**

(52) **U.S. Cl.**
USPC **D11/143**

(58) **Field of Classification Search**
USPC D6/300, 306, 403–405, 556–558;
D7/300, 500, 509; D8/1;
D11/143–156, 164; D25/100;
D26/9–11, 16, 19; D34/1, 2, 4–6;
D99/5, 19; 47/17, 32.4, 32.5, 32.7, 33,
47/39, 41.01, 41.1, 41.11–41.15, 44–46,
47/62, 63, 65.5, 65.9, 66.1, 66.2, 66.6,
47/66.7, 67–71

See application file for complete search history.

(56) **References Cited**

U.S. PATENT DOCUMENTS

D145,839 S * 10/1946 Florian D7/300
D194,793 S * 3/1963 Perl D11/145

D246,096 S * 10/1977 Trumley D11/145
D371,088 S * 6/1996 Vollick D11/145
D485,471 S * 1/2004 Janky D7/505
2005/0155286 A1 * 7/2005 Soukup 47/60
2010/0115834 A1 * 5/2010 Miyahara 47/65.5
2014/0090295 A1 * 4/2014 Fambro 47/62 N

FOREIGN PATENT DOCUMENTS

TW 141750 8/2011
TW 142973 10/2011

* cited by examiner

Primary Examiner — Robert M Spear

Assistant Examiner — Marissa Cash

(74) *Attorney, Agent, or Firm* — Greenblum & Bernstein,
P.L.C.

(57) **CLAIM**

We claim the ornamental design for a hydroponic cultivating device, as shown and described.

DESCRIPTION

FIG. 1 is a front elevational view of a hydroponic cultivating device, showing our new design;
FIG. 2 is a rear elevational view thereof;
FIG. 3 is a top plan view thereof;
FIG. 4 is a bottom view thereof;
FIG. 5 is a right side elevational view thereof;
FIG. 6 is a left side elevational view thereof;
FIG. 7 is a top perspective view thereof;
FIG. 8 is a bottom perspective view thereof;
FIG. 9 is a sectional view taken along line 9-9 of FIG. 1;
FIG. 10 is a sectional view taken along line 10-10 of FIG. 3;
and,
FIG. 11 is a top perspective view, showing the hydroponic cultivating device in use.
The broken lines disclose unclaimed portions of the design and form no part of the claimed design.

1 Claim, 11 Drawing Sheets

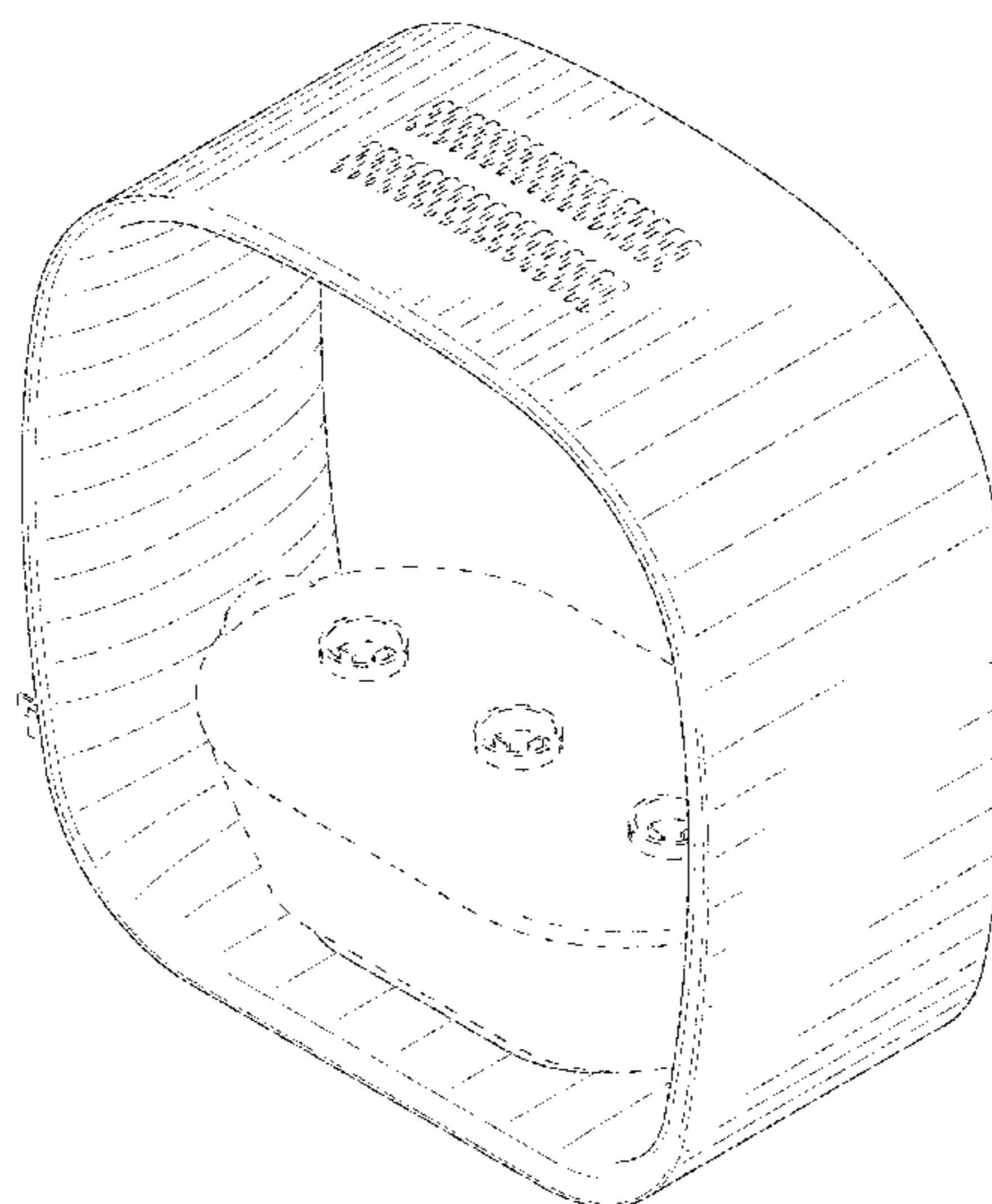


FIG. 1

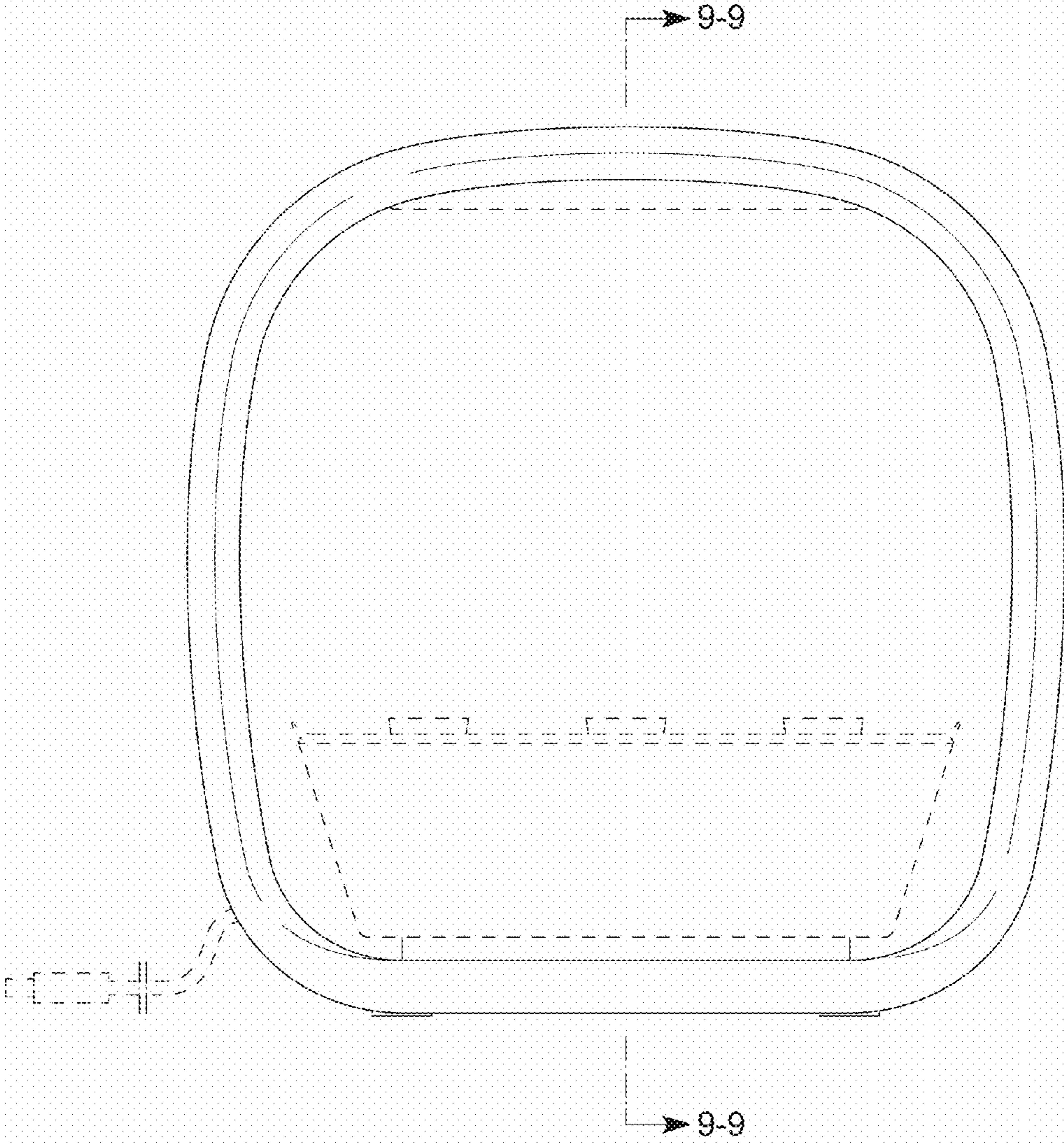


FIG. 2

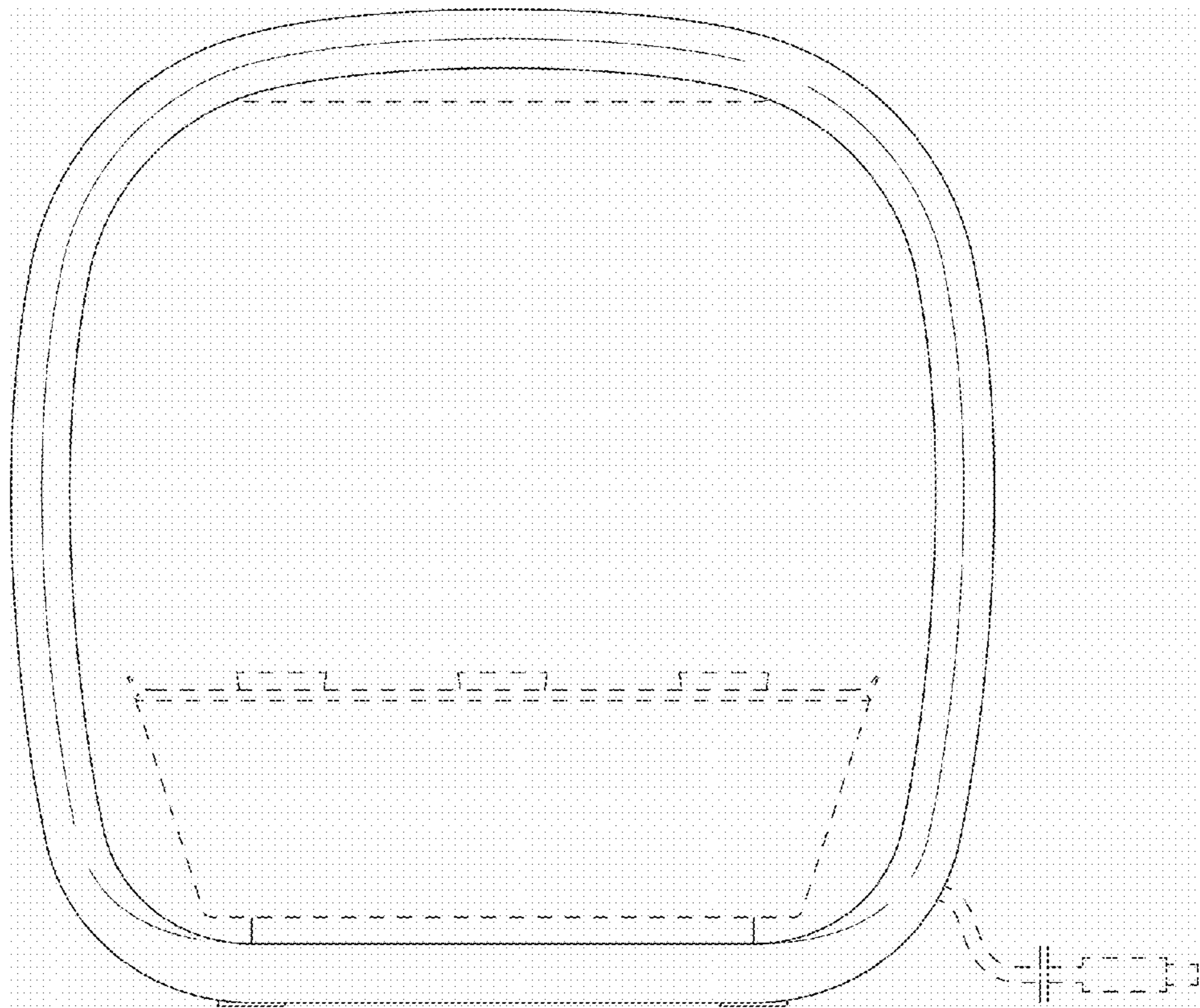


FIG. 3

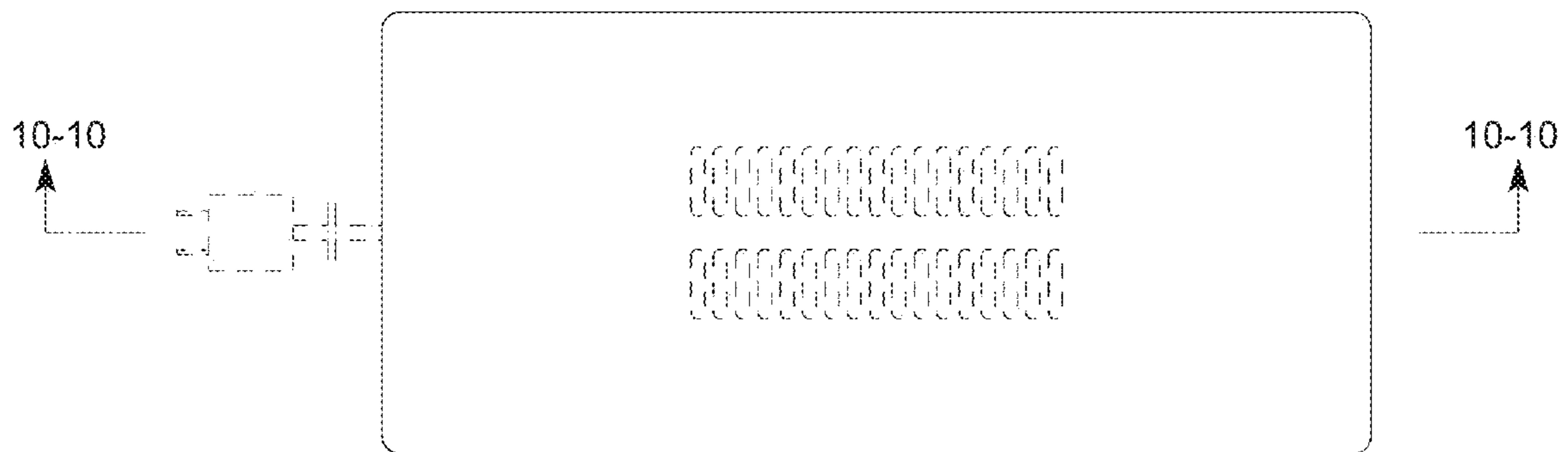


FIG. 4

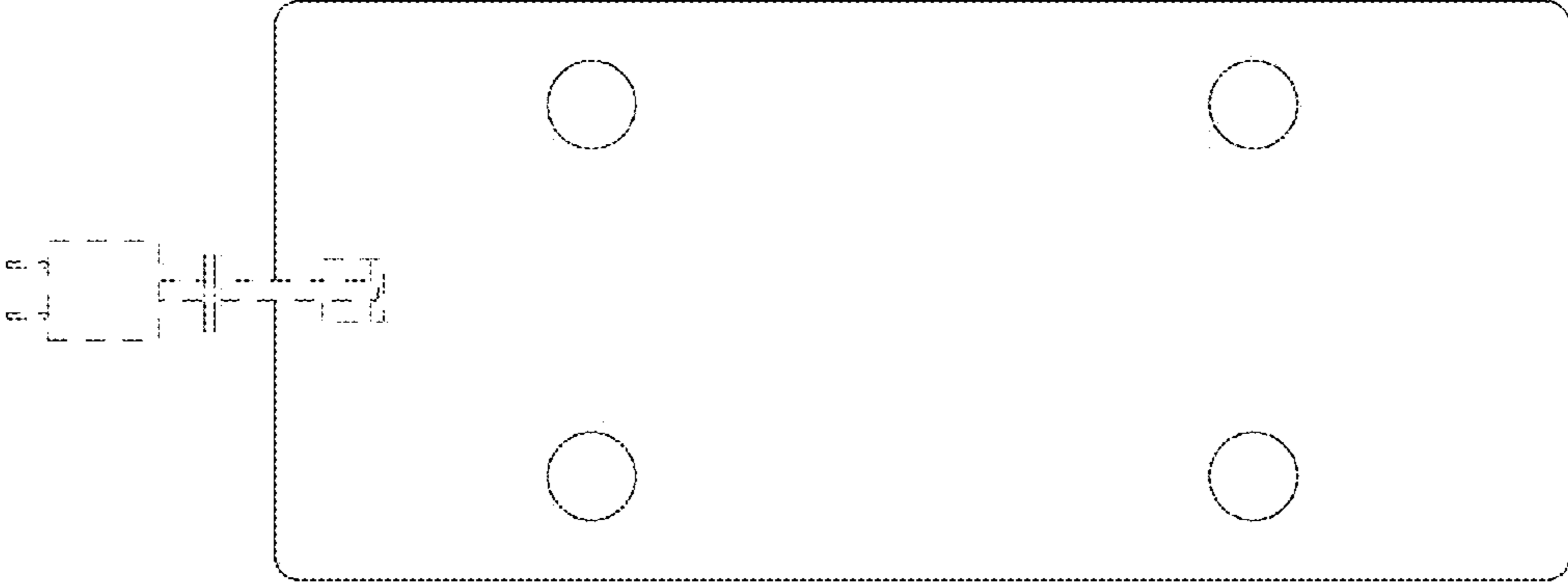


FIG. 5

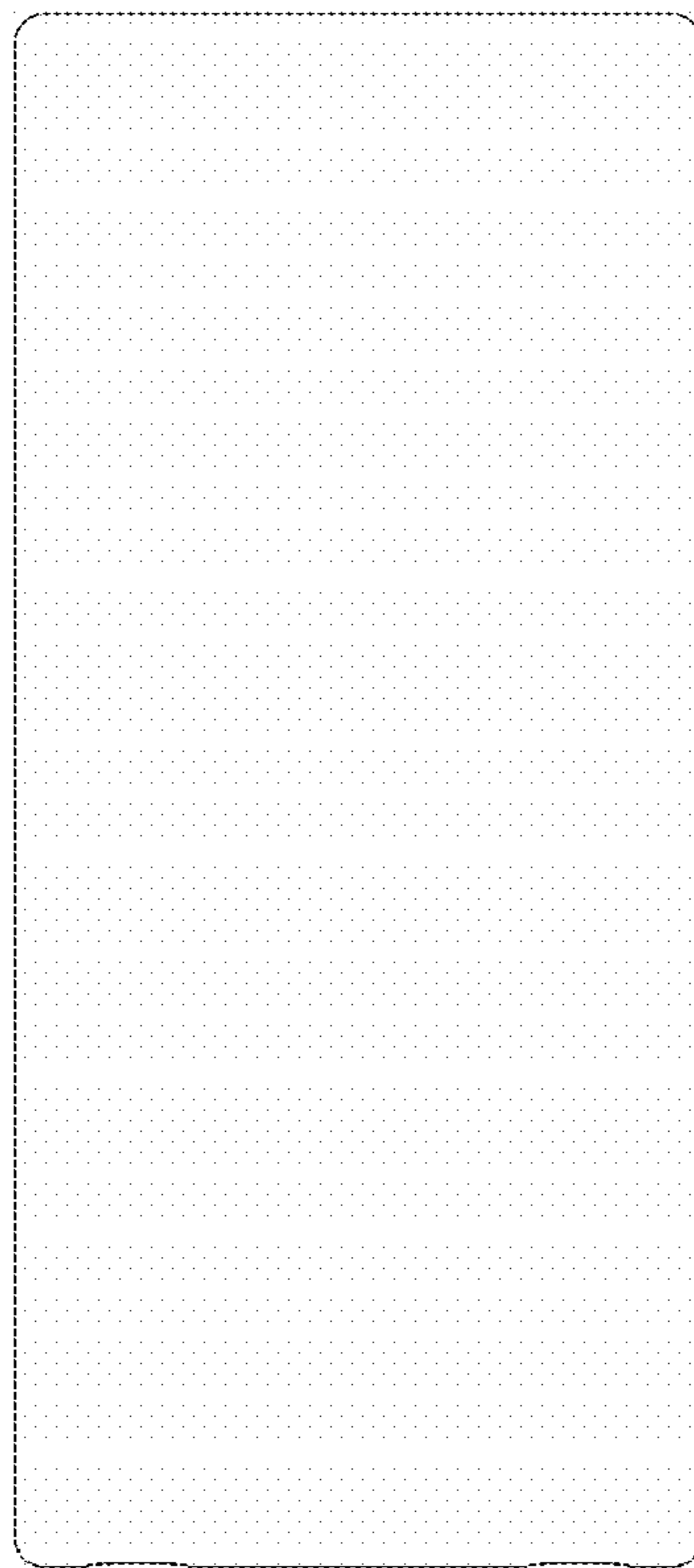


FIG. 6

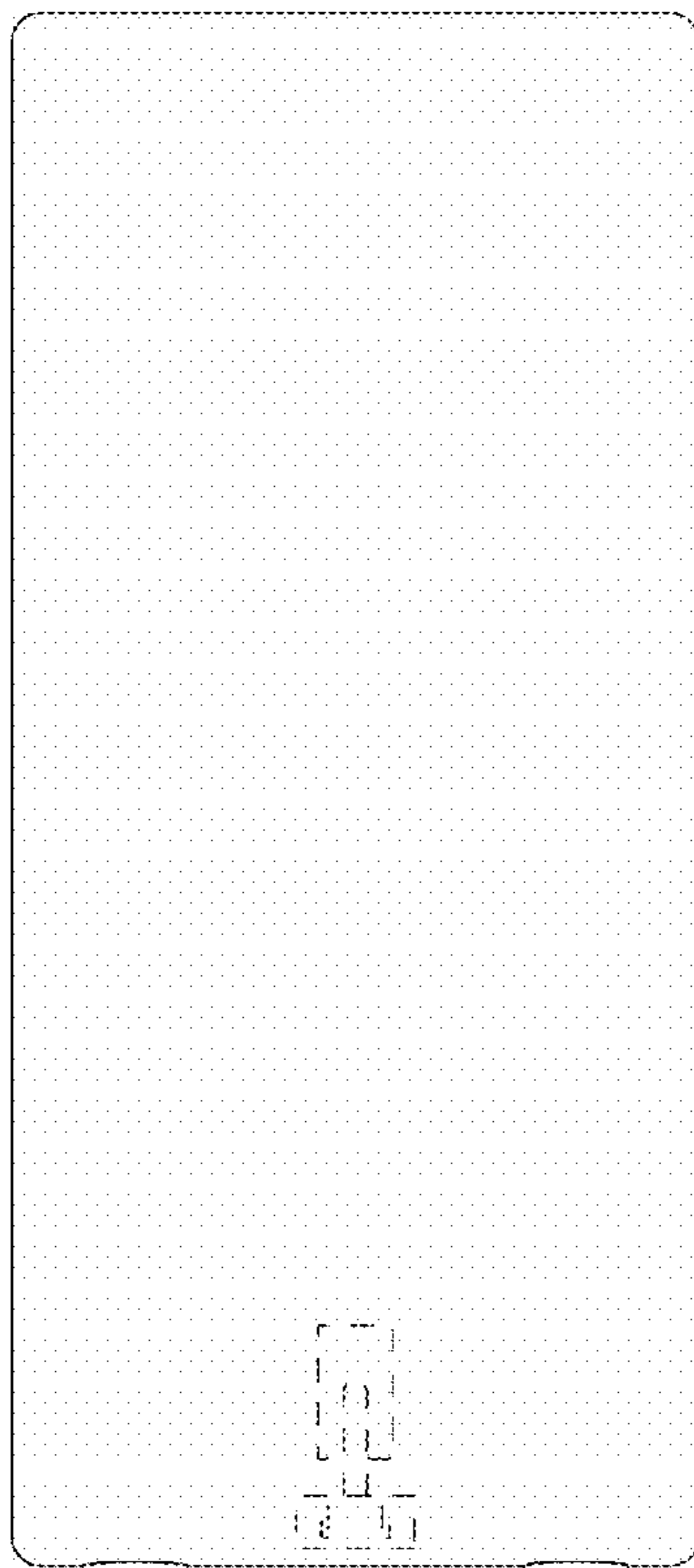


FIG. 7

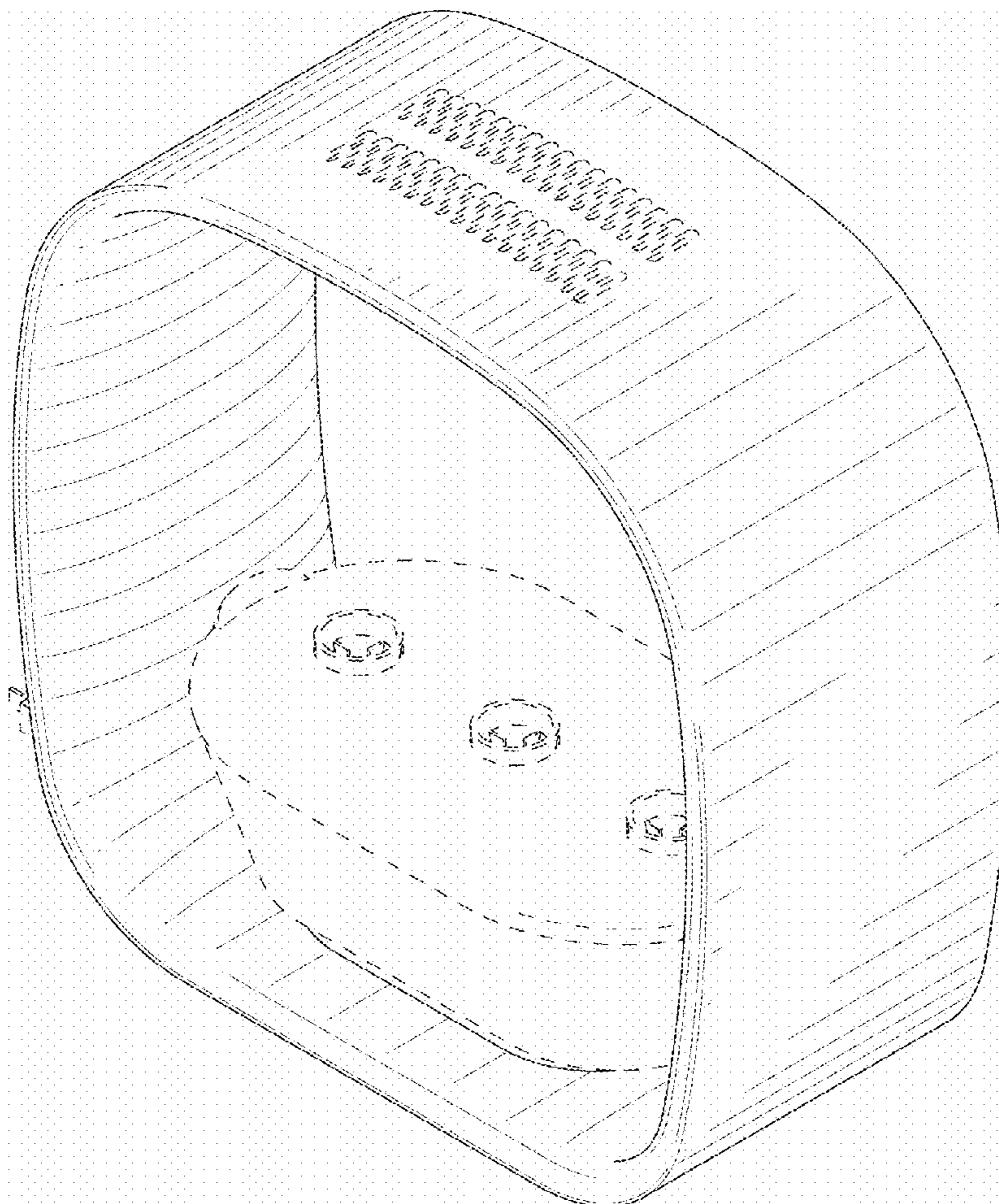


FIG. 8

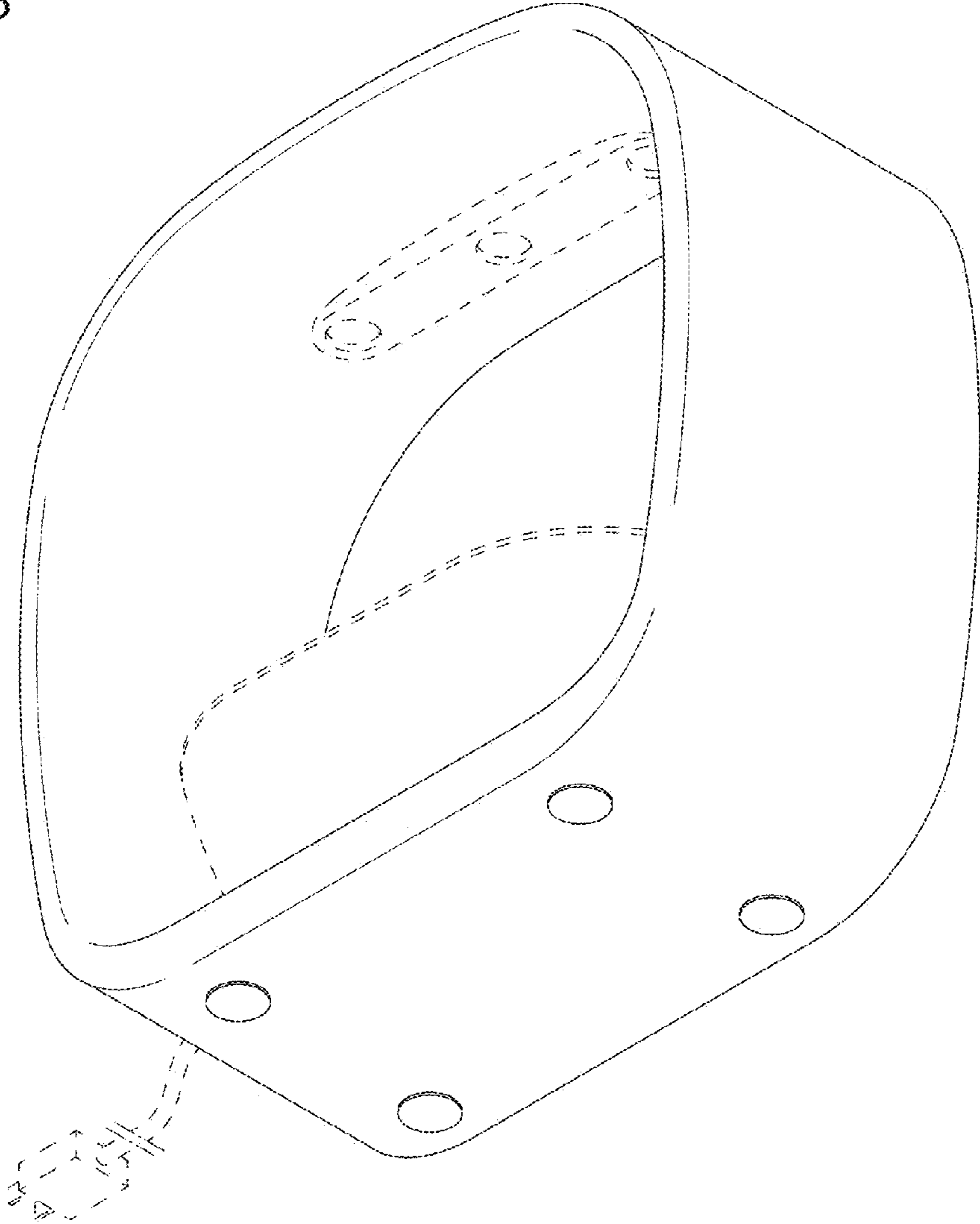


FIG. 9

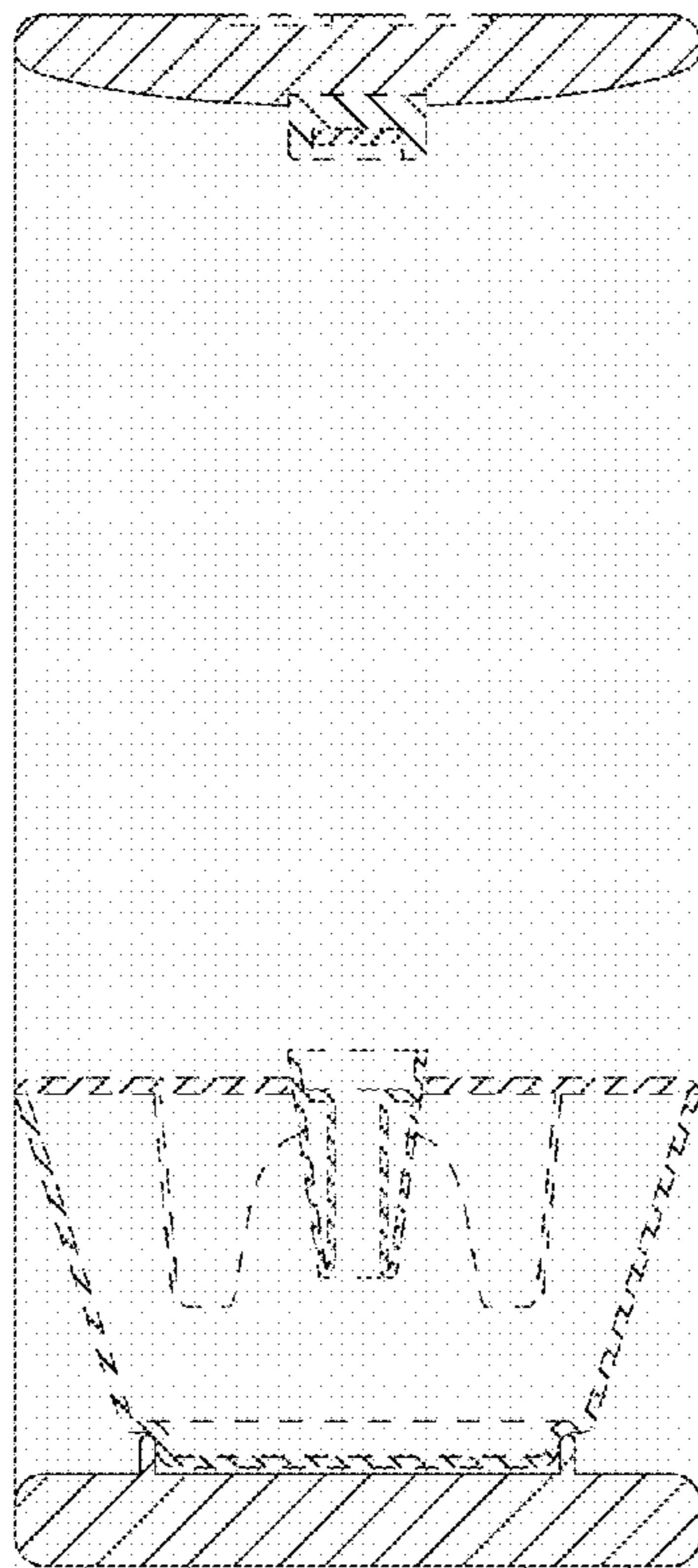


FIG. 10

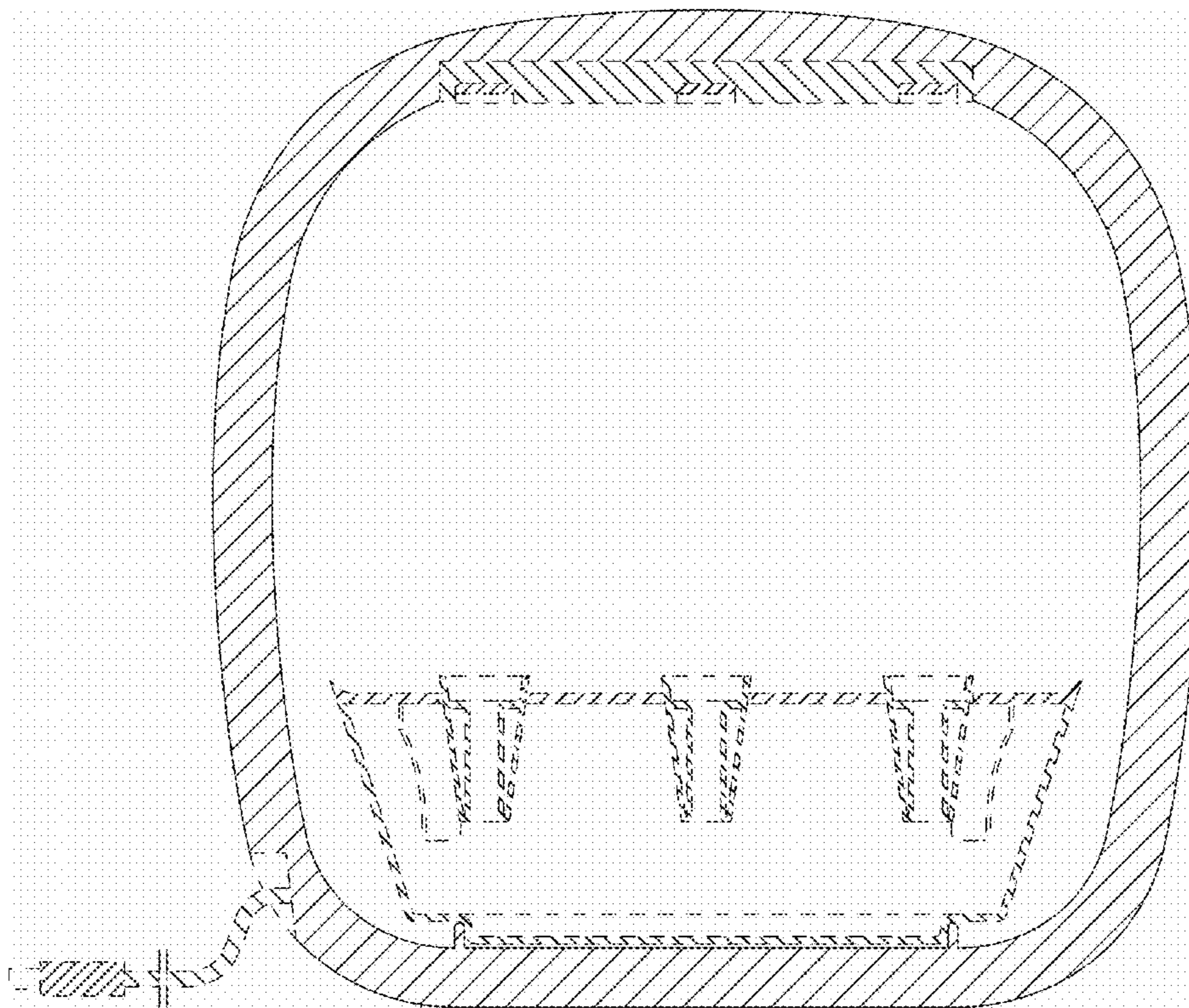


FIG. 11

