



US00D715178S

(12) **United States Design Patent**
Venturini Fendi

(10) **Patent No.:** **US D715,178 S**

(45) **Date of Patent:** **** Oct. 14, 2014**

(54) **CLASP**

(71) Applicant: **Fendi Adele S.r.l.**, Rome (IT)

(72) Inventor: **Maria Silvia Venturini Fendi**, Rome (IT)

(73) Assignee: **Fendi Adele S.R.L.**, Rome (IT)

(**) Term: **14 Years**

(21) Appl. No.: **29/456,243**

(22) Filed: **May 29, 2013**

(30) **Foreign Application Priority Data**

May 16, 2013 (EM) 002238485-0001

(51) **LOC (10) Cl.** **11-07**

(52) **U.S. Cl.**

CPC **A44C 5/00** (2013.01)

USPC **D11/87**

(58) **Field of Classification Search**

USPC D11/1-2, 7, 40-44, 46-49, 53, 56, 57,
D11/59-61, 63, 65, 79-83, 86-87, 89-90,
D11/91-92, 99, 101, 106, 114-116,
D11/200-201; 63/3, 3.1, 12-14.9

See application file for complete search history.

(56) **References Cited**

U.S. PATENT DOCUMENTS

D450,561 S *	11/2001	Moore et al.	D8/349
6,595,025 B2 *	7/2003	Lau	63/3.1
D556,081 S *	11/2007	Mouquet	D11/87
D625,643 S *	10/2010	Desser	D11/87
7,856,805 B2 *	12/2010	Hostettler et al.	59/78
7,905,111 B2 *	3/2011	Saltz	63/3
D668,576 S *	10/2012	Outland	D11/79
8,601,784 B2 *	12/2013	Kaltenrieder	59/78

* cited by examiner

Primary Examiner — Zenia Bennett

(74) *Attorney, Agent, or Firm* — Lucas & Mercanti, LLP

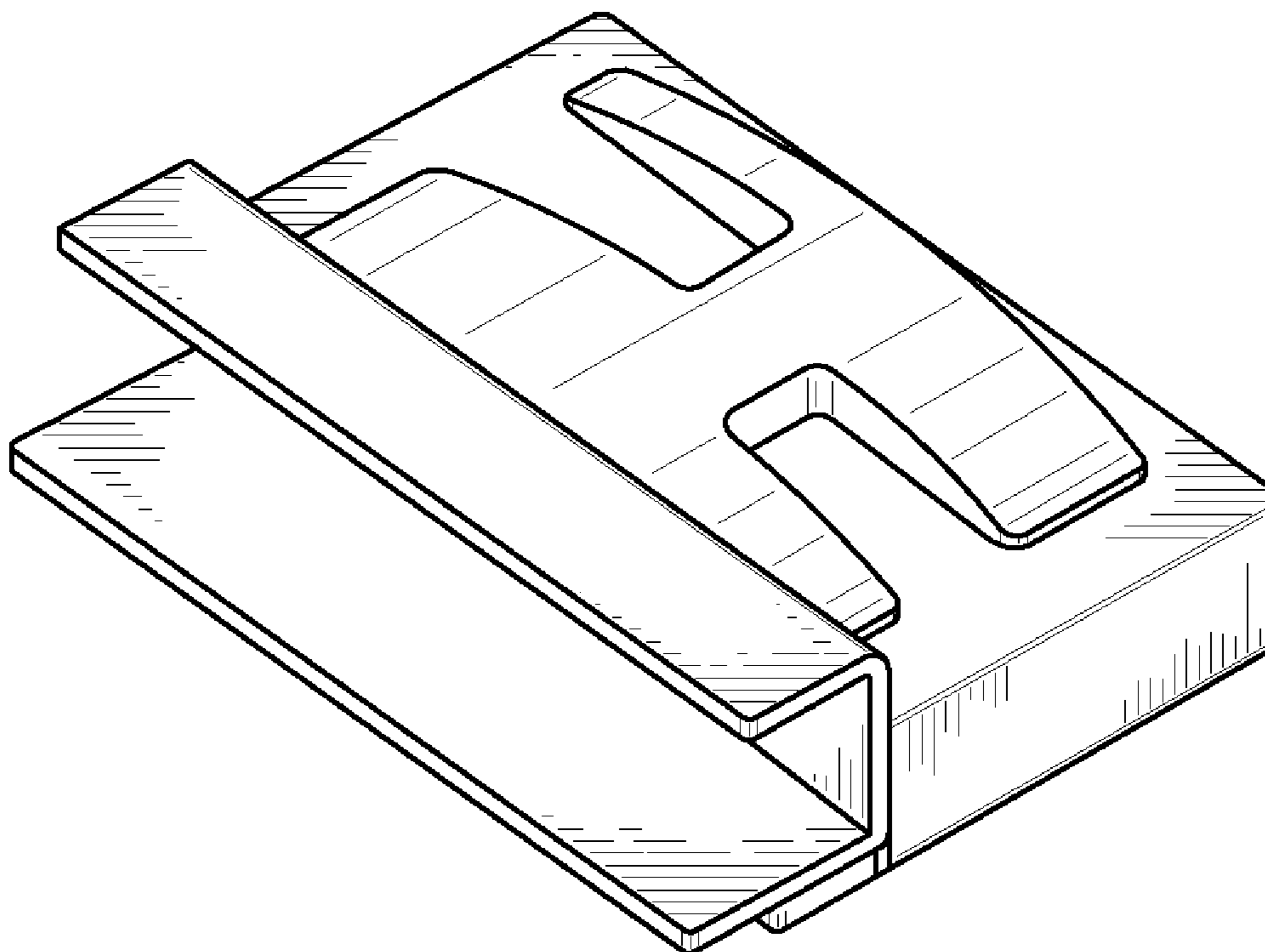
(57) **CLAIM**

The ornamental design for a clasp, as shown and described.

DESCRIPTION

FIG. 1 is a first perspective view of the clasp;
FIG. 2 is a second perspective view thereof;
FIG. 3 is a bottom view thereof;
FIG. 4 is a front view thereof;
FIG. 5 is a top view thereof;
FIG. 6 is a right side view thereof;
FIG. 7 is a left side view thereof;
FIG. 8 is a rear view thereof;
FIG. 9 is a first perspective view thereof with the female and male elements of the clasp shown in a separated state; and,
FIG. 10 is a second perspective view thereof with the female and male elements of the clasp shown in a separated state.

1 Claim, 4 Drawing Sheets



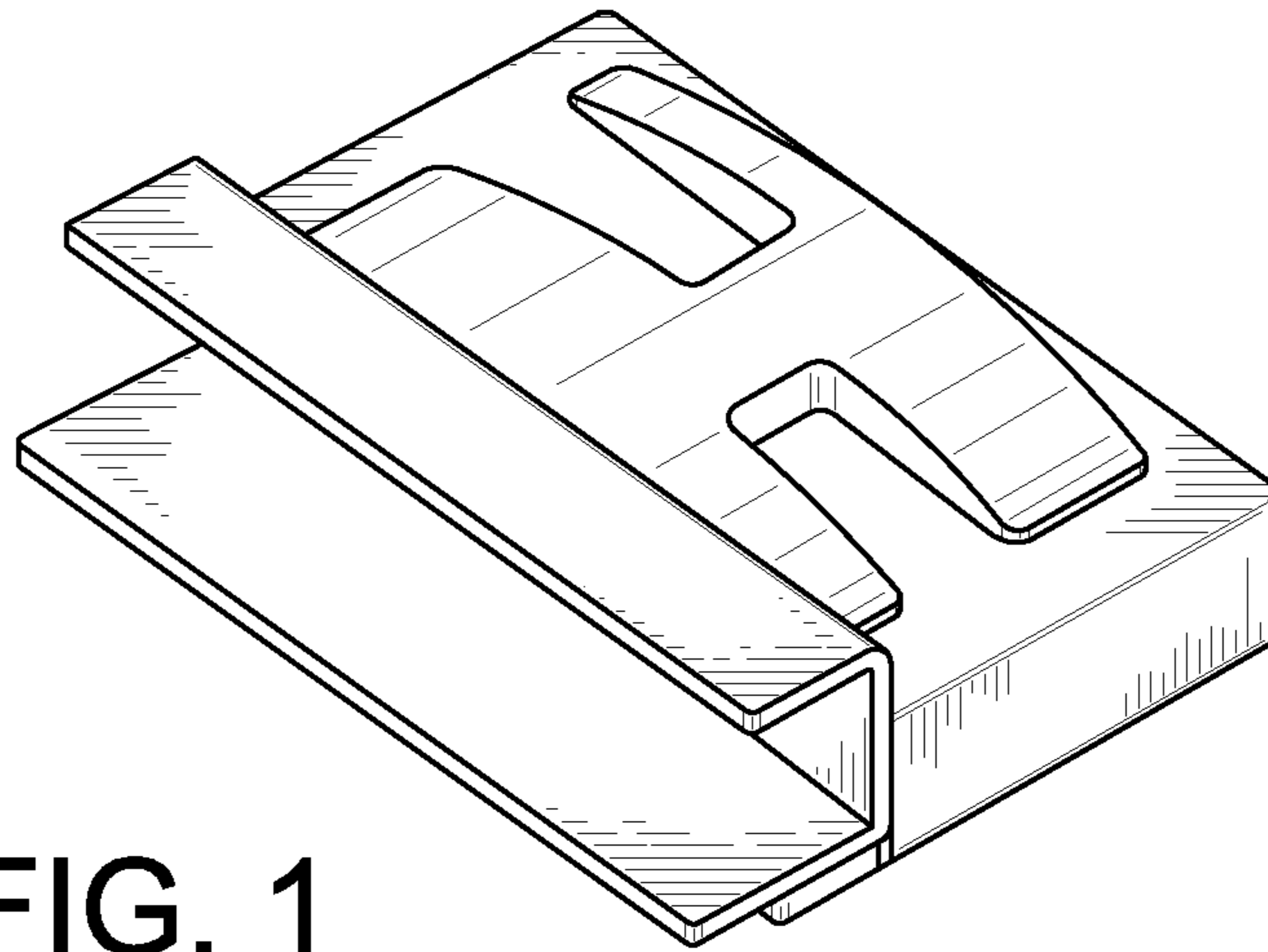


FIG. 1

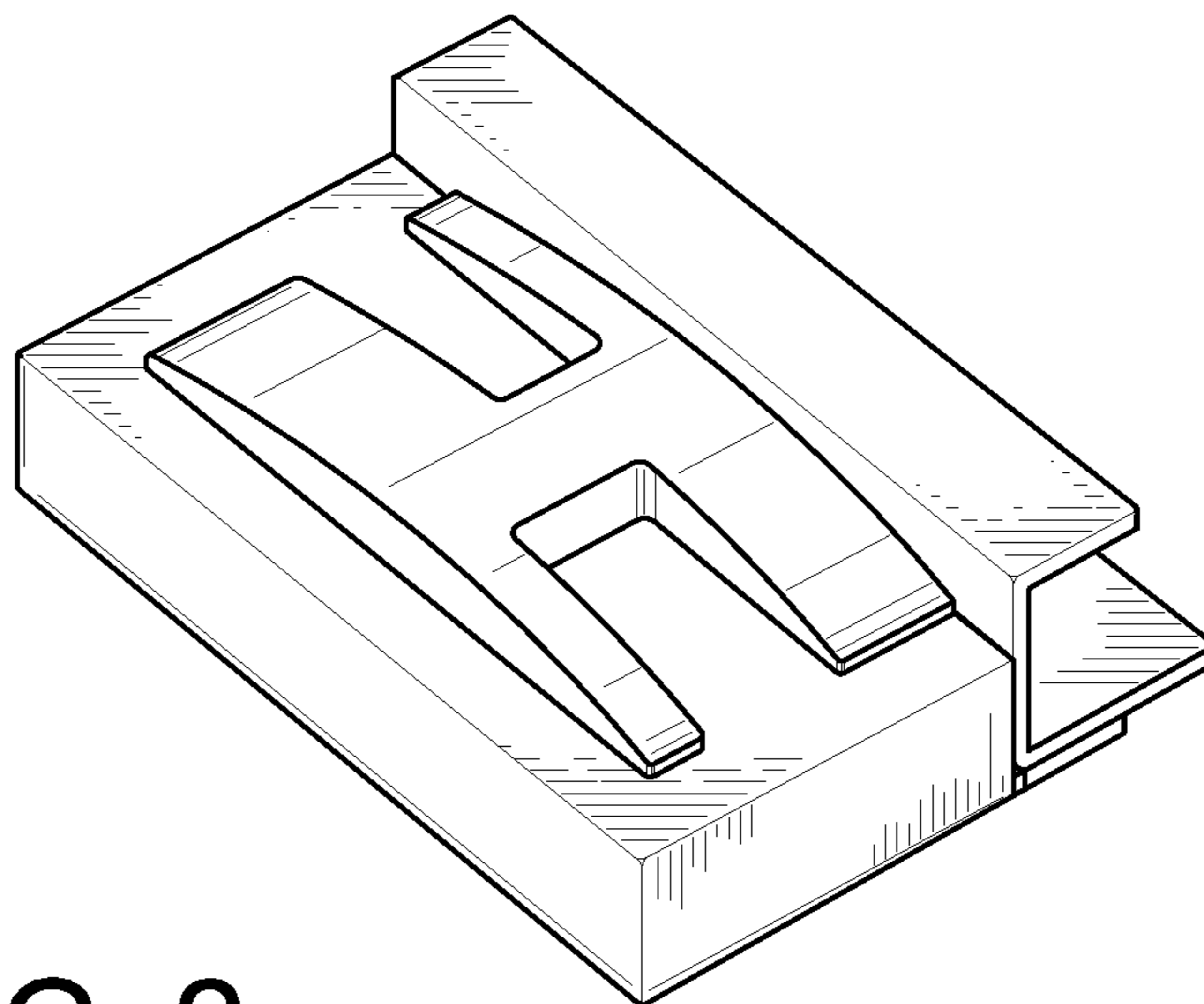


FIG. 2

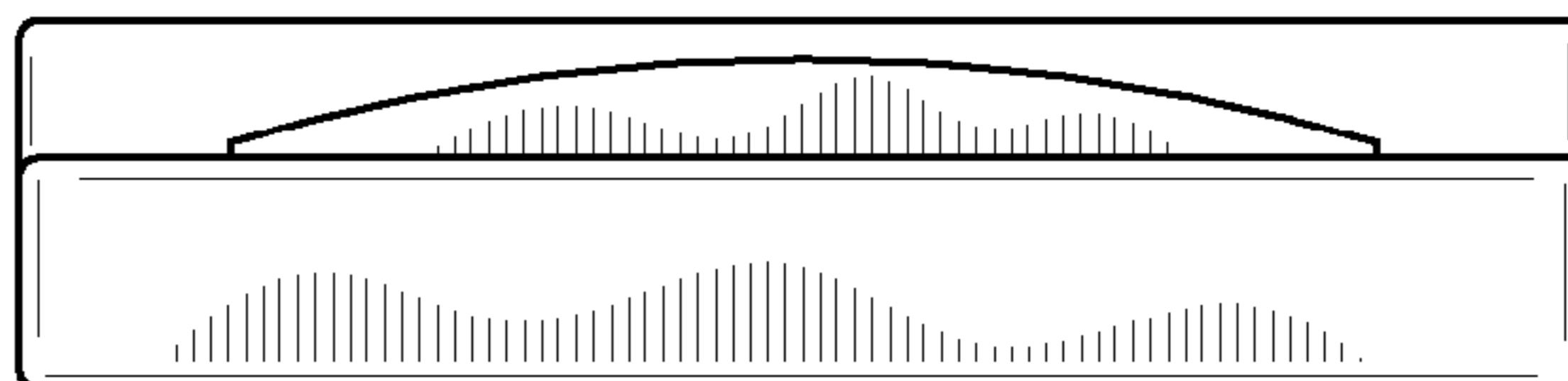


FIG. 3

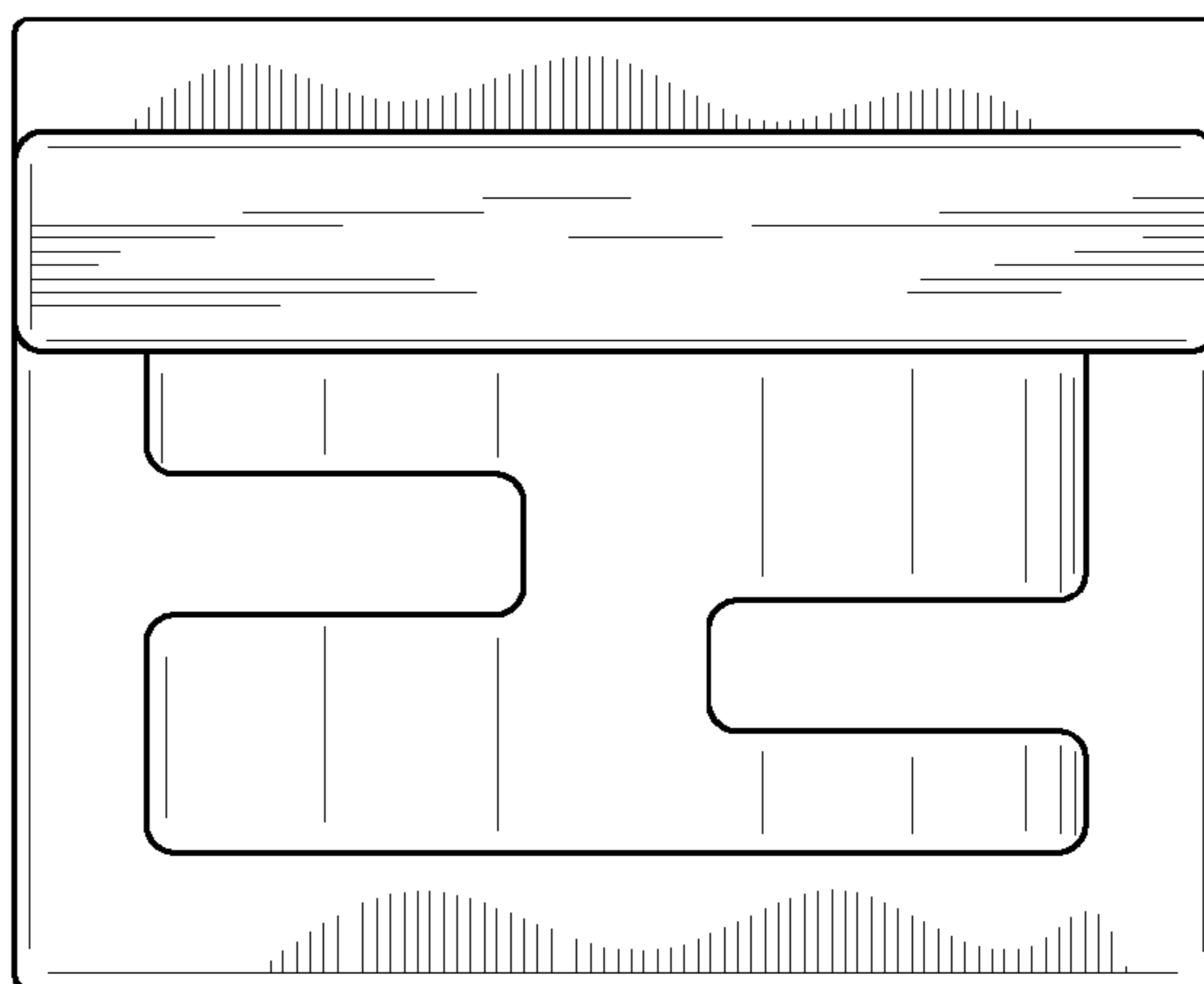


FIG. 4

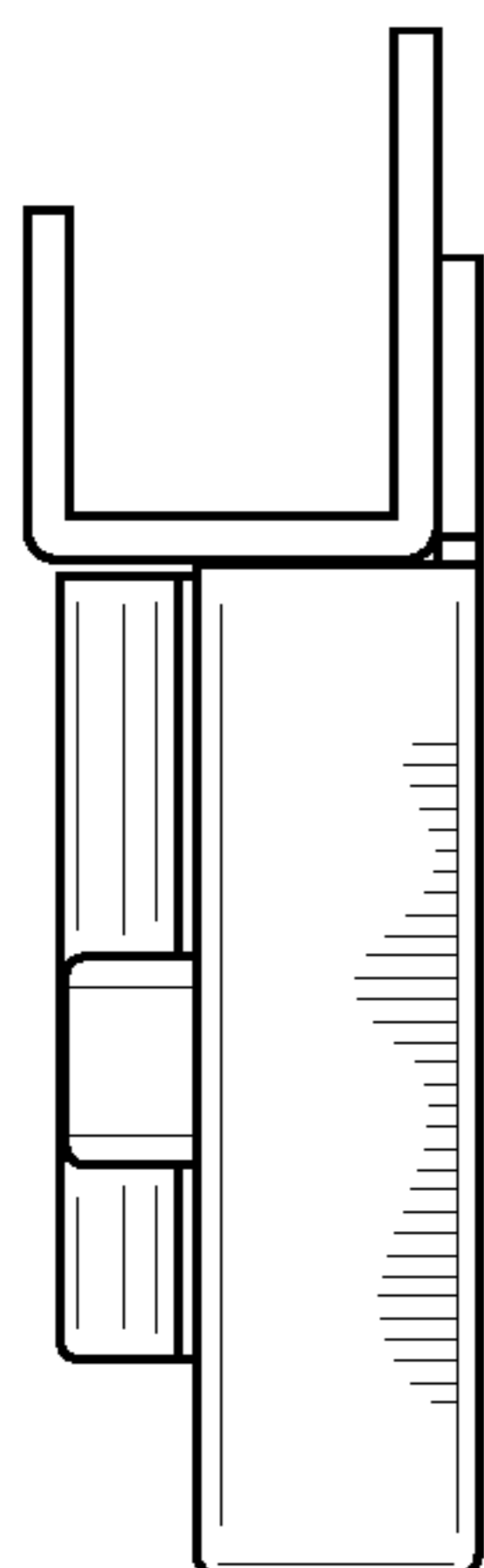


FIG. 6

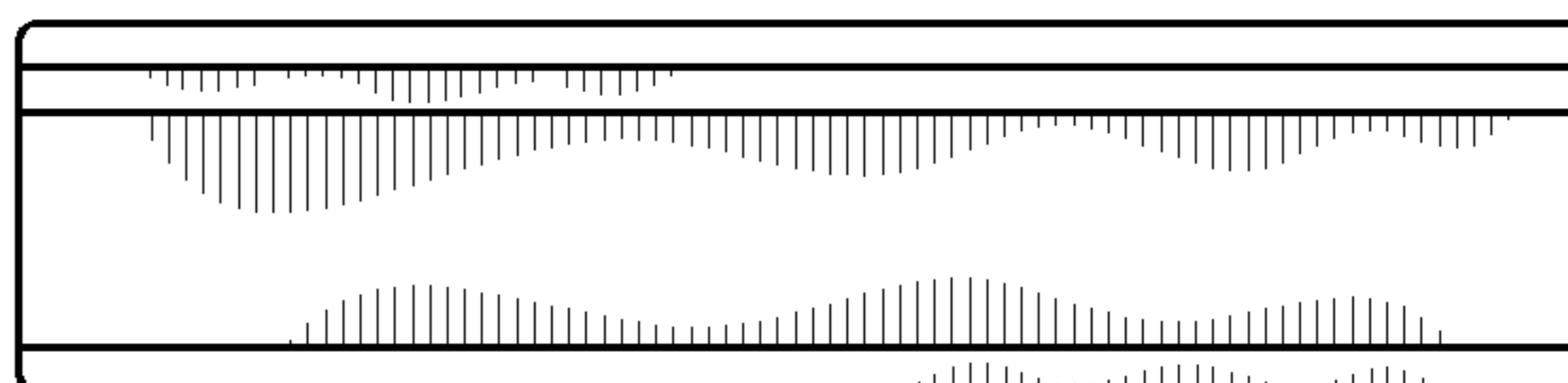


FIG. 5

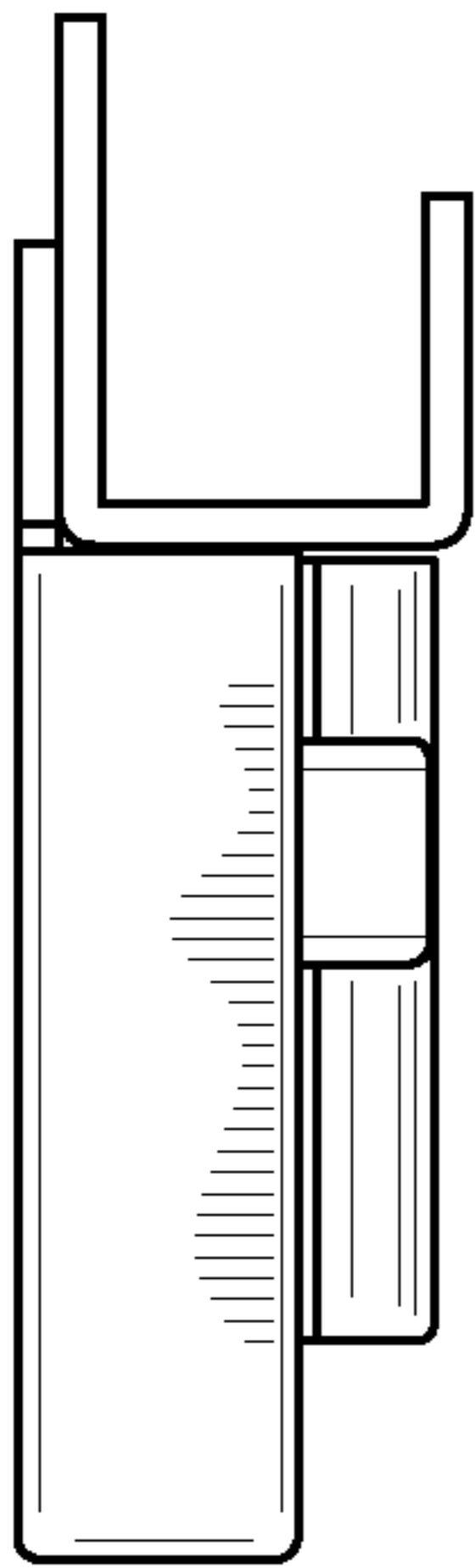


FIG. 7

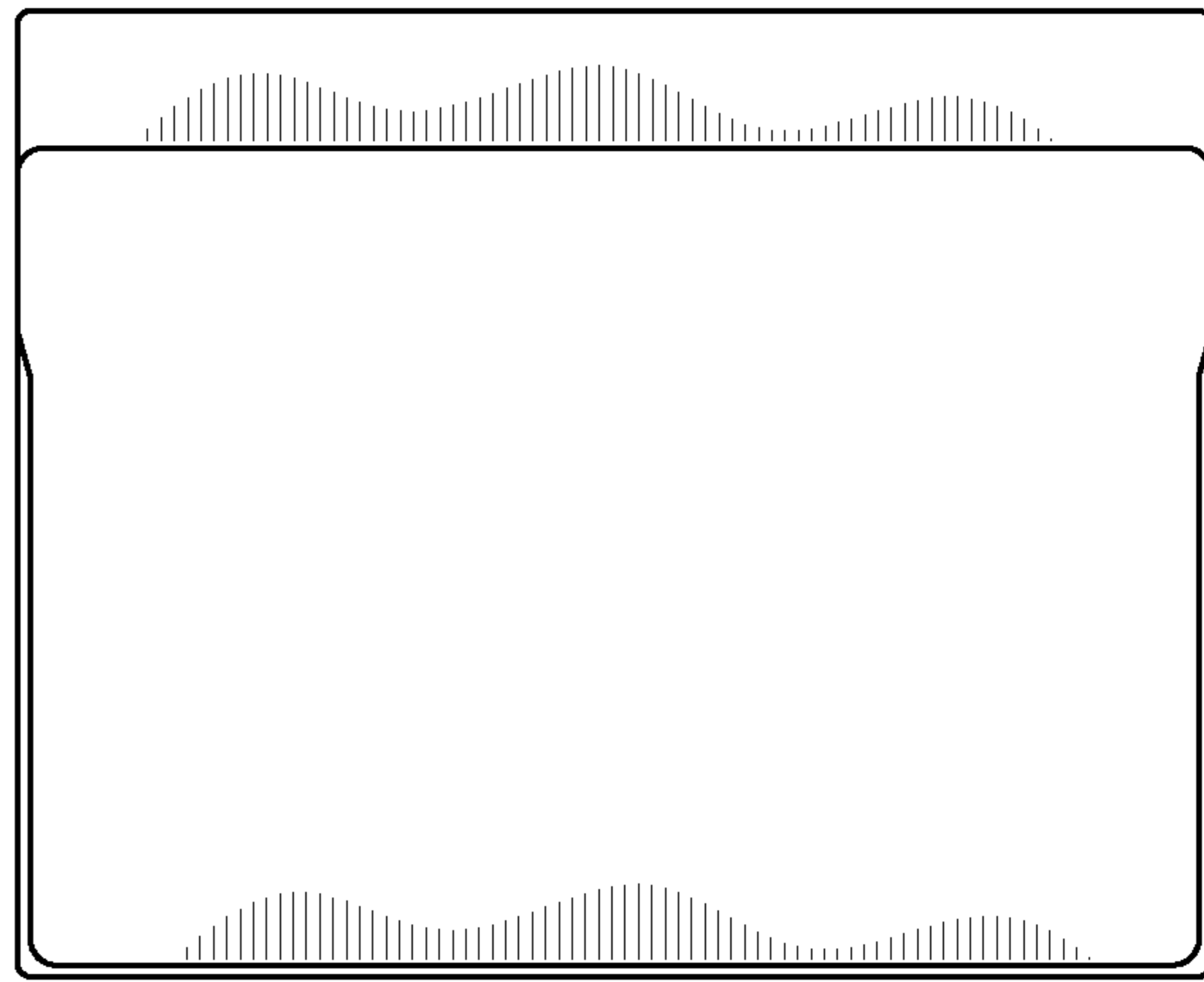


FIG. 8

