



US00D715177S

(12) **United States Design Patent**
Vaughan et al.

(10) **Patent No.:** **US D715,177 S**
(45) **Date of Patent:** **** Oct. 14, 2014**

(54) **PENDANT**

(71) Applicants: **John Kennedy Vaughan**, Beaumont, TX (US); **Tammie Vaughan**, Beaumont, TX (US)

(72) Inventors: **John Kennedy Vaughan**, Beaumont, TX (US); **Tammie Vaughan**, Beaumont, TX (US)

(73) Assignee: **Athletes for Christ, LP**, Beaumont, TX (US)

(**) Term: **14 Years**

(21) Appl. No.: **29/470,630**

(22) Filed: **Oct. 23, 2013**

(51) **LOC (10) Cl.** **11-01**

(52) **U.S. Cl.**
USPC **D11/81; D21/682**

(58) **Field of Classification Search**
USPC D11/79-86, 1, 2, 7, 9, 11, 13, 15; 63/40, 12, 13, 18, 20; D21/661, 638, D21/682, 681; 482/108, 93, 910
See application file for complete search history.

(56) **References Cited**

U.S. PATENT DOCUMENTS

D5,574 S *	3/1872	Kaufmann	D11/87
D82,115 S *	9/1930	Smith	D8/334
D251,115 S *	2/1979	Rothenberg	D11/81
D481,771 S *	11/2003	Anderson	D21/682
D513,392 S *	1/2006	Arbore	D11/48
D515,452 S *	2/2006	Arbore	D11/48
D522,594 S *	6/2006	Donahue et al.	D21/682
D535,580 S *	1/2007	Arbore	D11/48
7,182,715 B2 *	2/2007	Anderson	482/93
D616,949 S *	6/2010	Wang	D21/682
D653,716 S *	2/2012	Lin	D21/682
D654,971 S *	2/2012	Januszek	D21/682
D683,803 S *	6/2013	Childs	D21/681
D685,866 S *	7/2013	Kinsbourne	D21/682

D692,509 S *	10/2013	Kessler	D21/682
2004/0005970 A1 *	1/2004	Anderson	482/108
2007/0135274 A1 *	6/2007	Blateri	482/109
2008/0127626 A1 *	6/2008	Cerato	59/93
2012/0046148 A1 *	2/2012	Aguila	482/93
2012/0322631 A1 *	12/2012	Januszek	482/108
2013/0244843 A1 *	9/2013	Burwell et al.	482/108

OTHER PUBLICATIONS

- [Online] <http://www.transcendentfitness.com/2011/11/08/why-kettlebell/>. Posted Nov. 8, 2011. Accessed Apr. 1, 2014.*
- [Online] <http://www.shieldsofstrength.com/store/p/221-His-Kettle-Bell-Temporarily-Out-of-Stock.aspx>. Accessed Apr. 1, 2014.*
- [Online] <http://www.shieldsofstrength.com/store/p/254-Stainless-Steel-His-Kettle-Bell-on-24-Curb-Chain.aspx>. Accessed Apr. 1, 2014.*
- [Online] <http://www.shieldsofstrength.com/store/p/255-Stainless-Steel-Her-s-Kettle-Bell-with-20-Curb-Chain.aspx>. Accessed Apr. 1, 2014.*
- [Online] <http://kettlebellnecklace.com/>. Accessed Apr. 1, 2014.*

(Continued)

Primary Examiner — Garth Rademaker
Assistant Examiner — Melanie Pellegrini
(74) *Attorney, Agent, or Firm* — Egbert Law Offices, PLLC

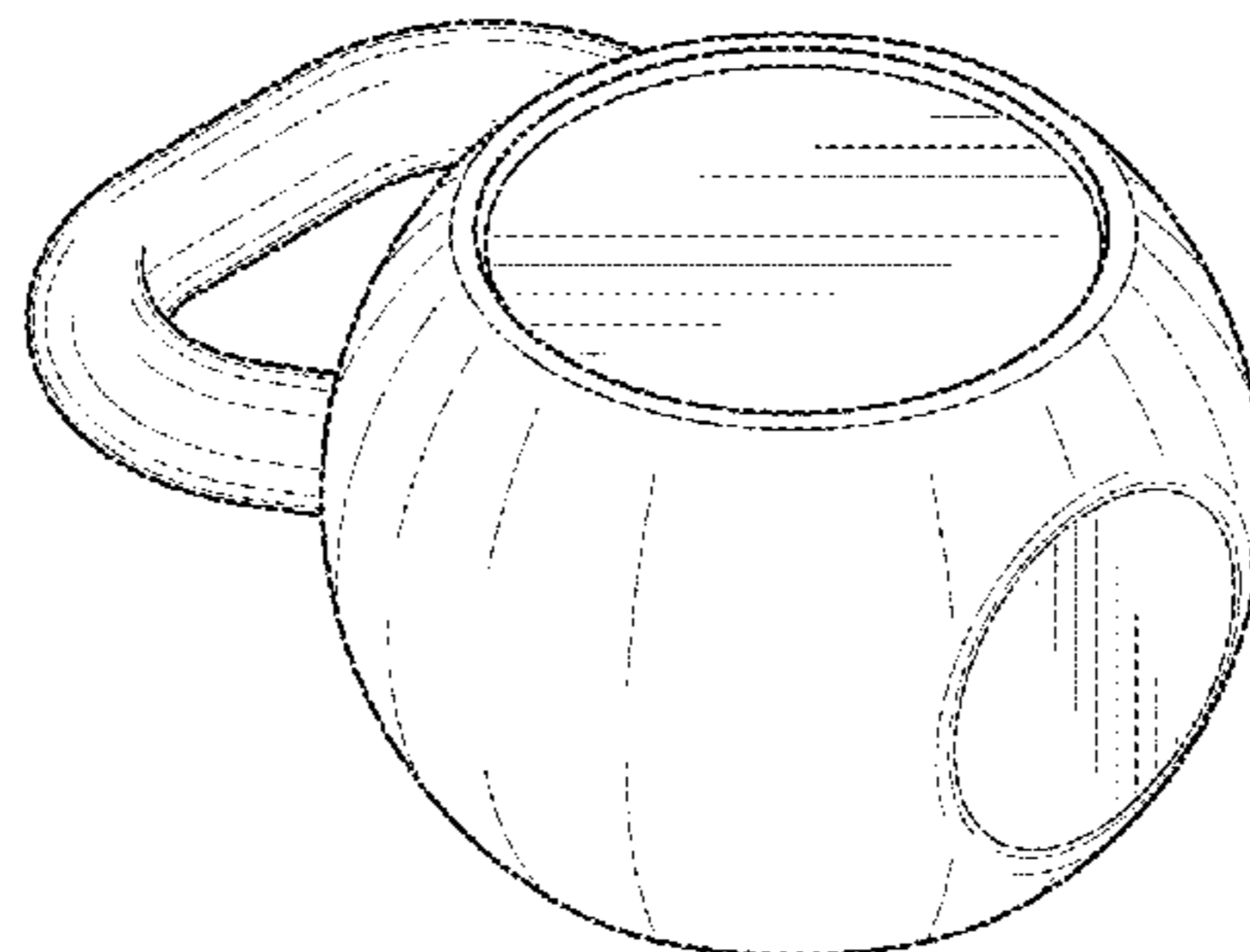
(57) **CLAIM**

The ornamental design for a pendant, as shown and described.

DESCRIPTION

FIG. 1 is a perspective view of the pendant showing our new design.
FIG. 2 is a front view thereof;
FIG. 3 is a rear view thereof;
FIG. 4 is a side view thereof;
FIG. 5 is an opposite site view thereof;
FIG. 6 is a top view thereof; and,
FIG. 7 is a bottom view thereof.
The features presented in broken lines are for environmental purposes only and form no part of the claimed design.

1 Claim, 2 Drawing Sheets



(56)

References Cited

OTHER PUBLICATIONS

[Online] <http://www.shapeways.com/mode1/834795/kettlebell-pendant.html>. Accessed Apr. 1, 2014.*

[Online] <http://crossfitlady.tumblr.com/post/51066153761/unusuallygreat-kettlebell-pendant-crossfit>. Posted May 22, 2013. Accessed Apr. 1, 2014.*

[Online] http://www.etsy.com/listing/172884049/kettlebell-crossfit-stud-earrings?ref=sr_gallery_16&ga_search_query=kettlebell&ga_search_type=handmade&ga_view_type=gallery. Accessed Apr. 1, 2014.*

[Online] http://www.etsy.com/listing/165033817/crossfit-necklace-kettlebell-necklace?ref=sr_gallery_8&ga_search_

[query=kettlebell&ga_page=2&ga_search_type=handmade&ga_view_type=gallery](#). Accessed Apr. 1, 2014.*

[Online] <http://www.walmart.com/ip/CAP-Barbell-20-1b-Vinyl-Kettlebell-Black/19416410>. Accessed Apr. 1, 2014.*

[Online] <http://www.walmart.com/ip/Tone-Fitness-10lb-Vinyl-Coated-Kettlebell/14894500>. Accessed Apr. 1, 2014.*

[Online] <http://exerciseandfitnessdeal.com/online-tone-fitness-vinyl-kettlebell-15-pound/>. Posted Feb. 19, 2012. Accessed Apr. 1, 2014.*

[Online] http://www.ebay.com/itm/Tone-Fitness-5lb-Vinyl-Kettlebell-/191120321204?pt=LH_DefaultDomain_0&hash=item2c7fa8aab4#ht_63wt_1073. Accessed Apr. 1, 2014.*

[Online] http://www.better-human.com/betterhuman_rat.html. Accessed Apr. 1, 2014.*

* cited by examiner

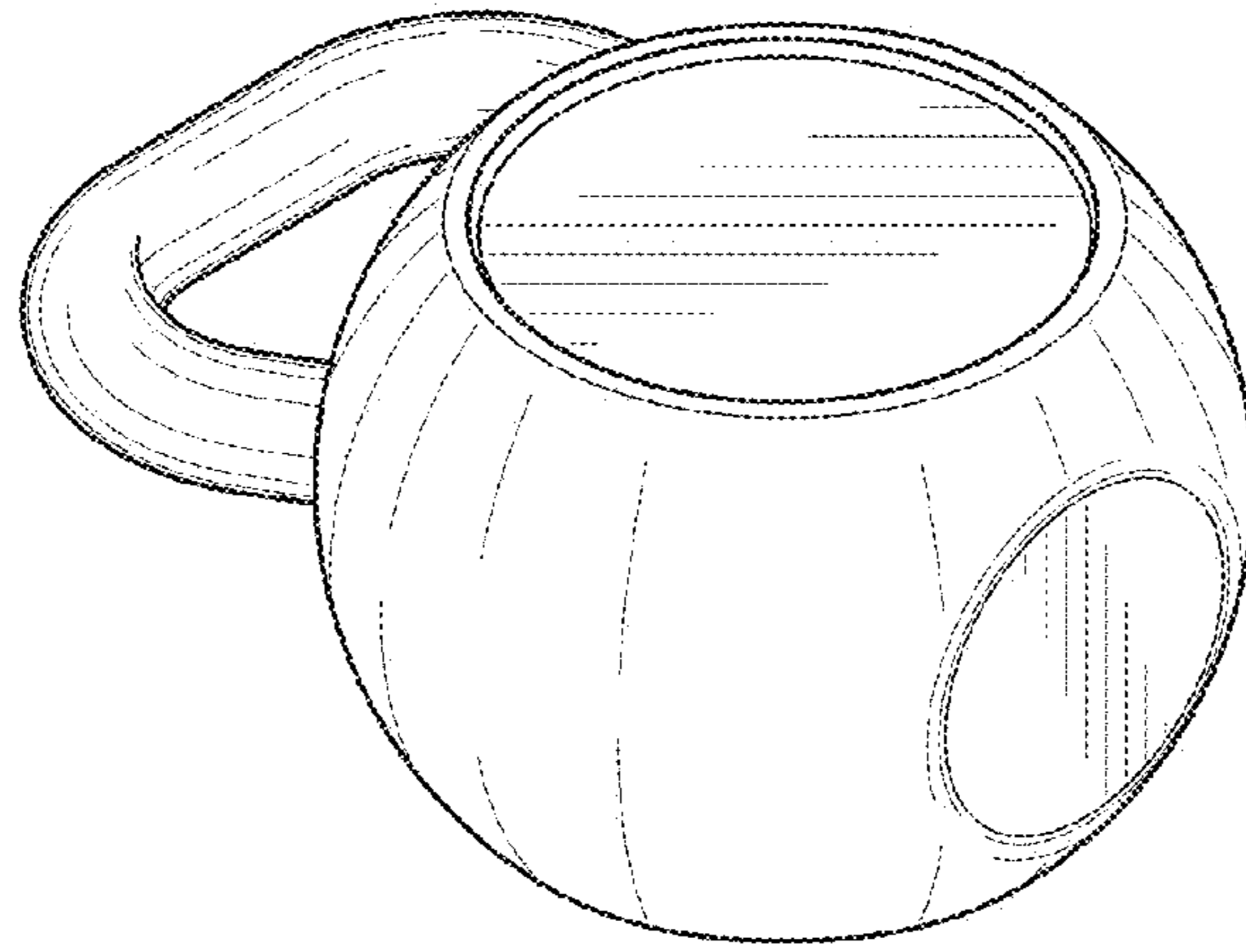


FIG. 1

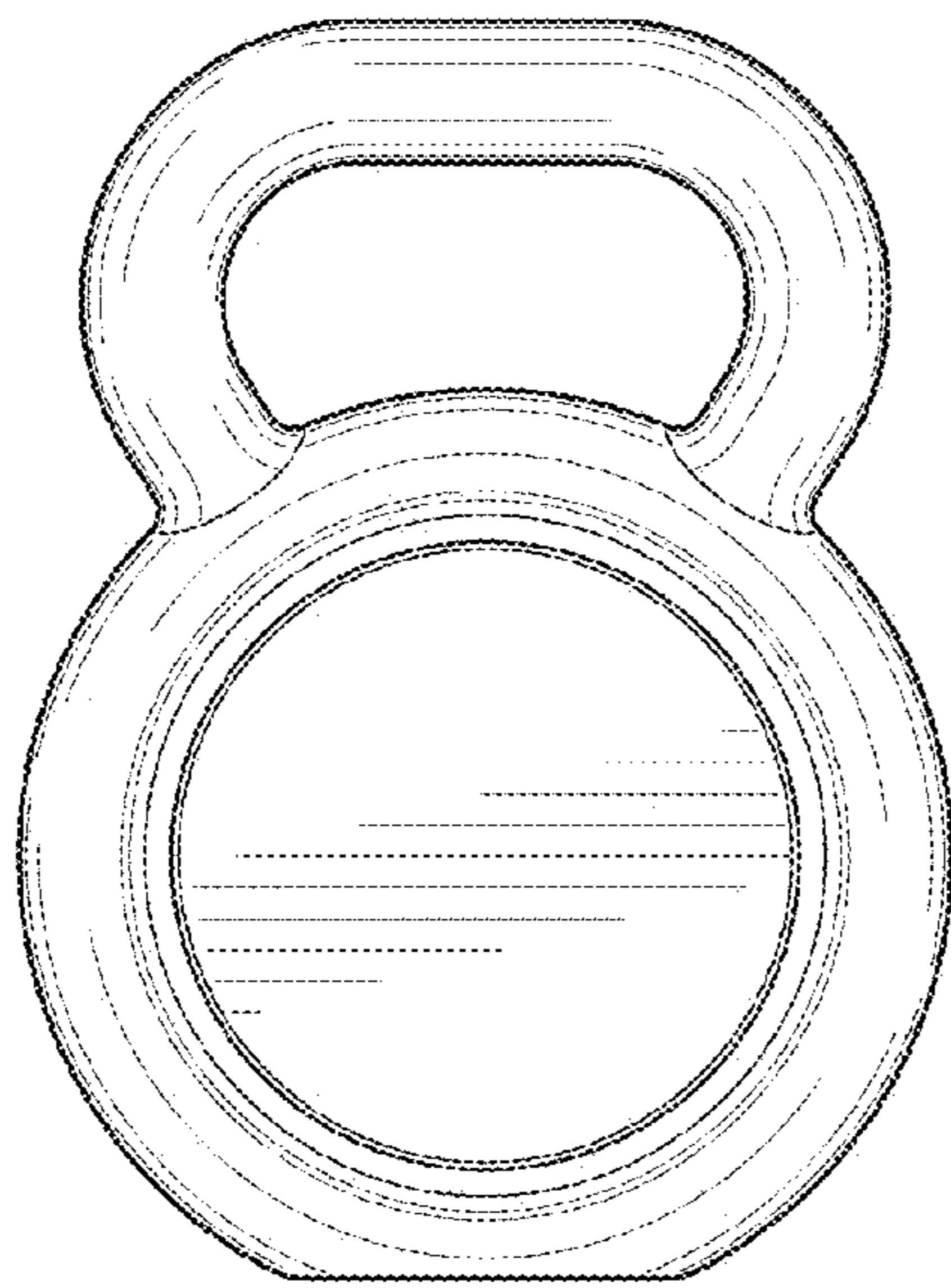


FIG. 2

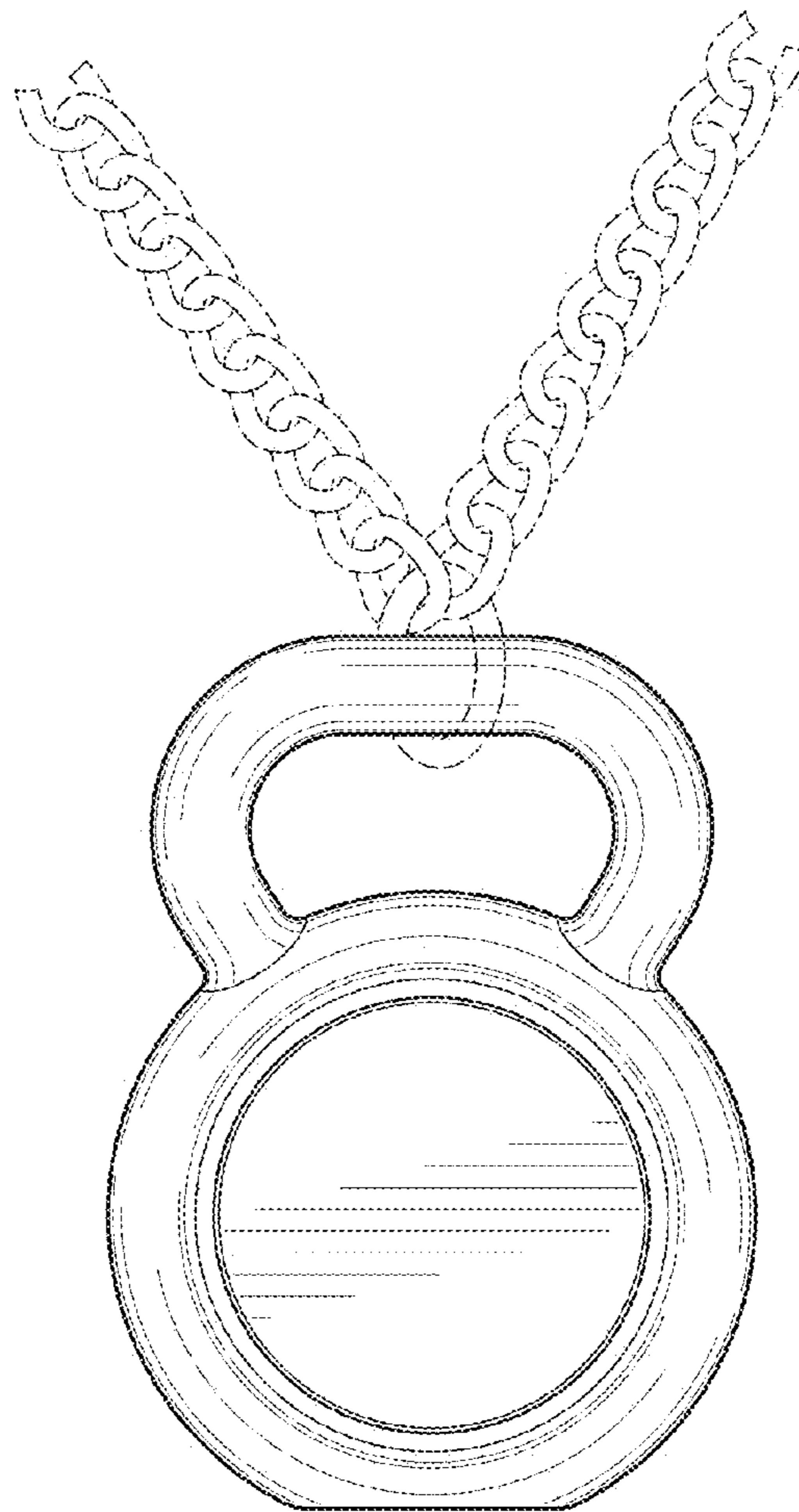


FIG. 3

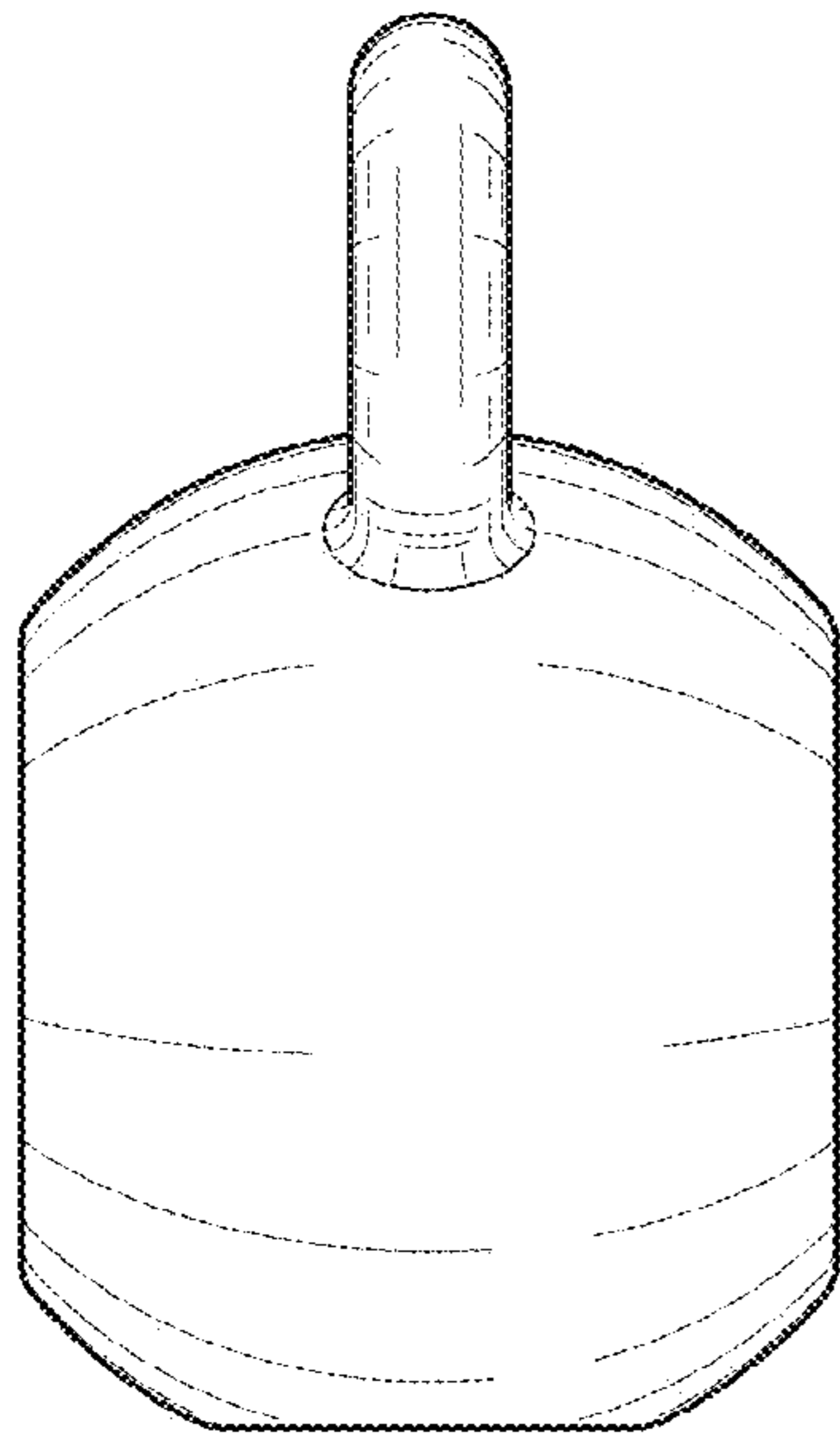


FIG. 4



FIG. 5

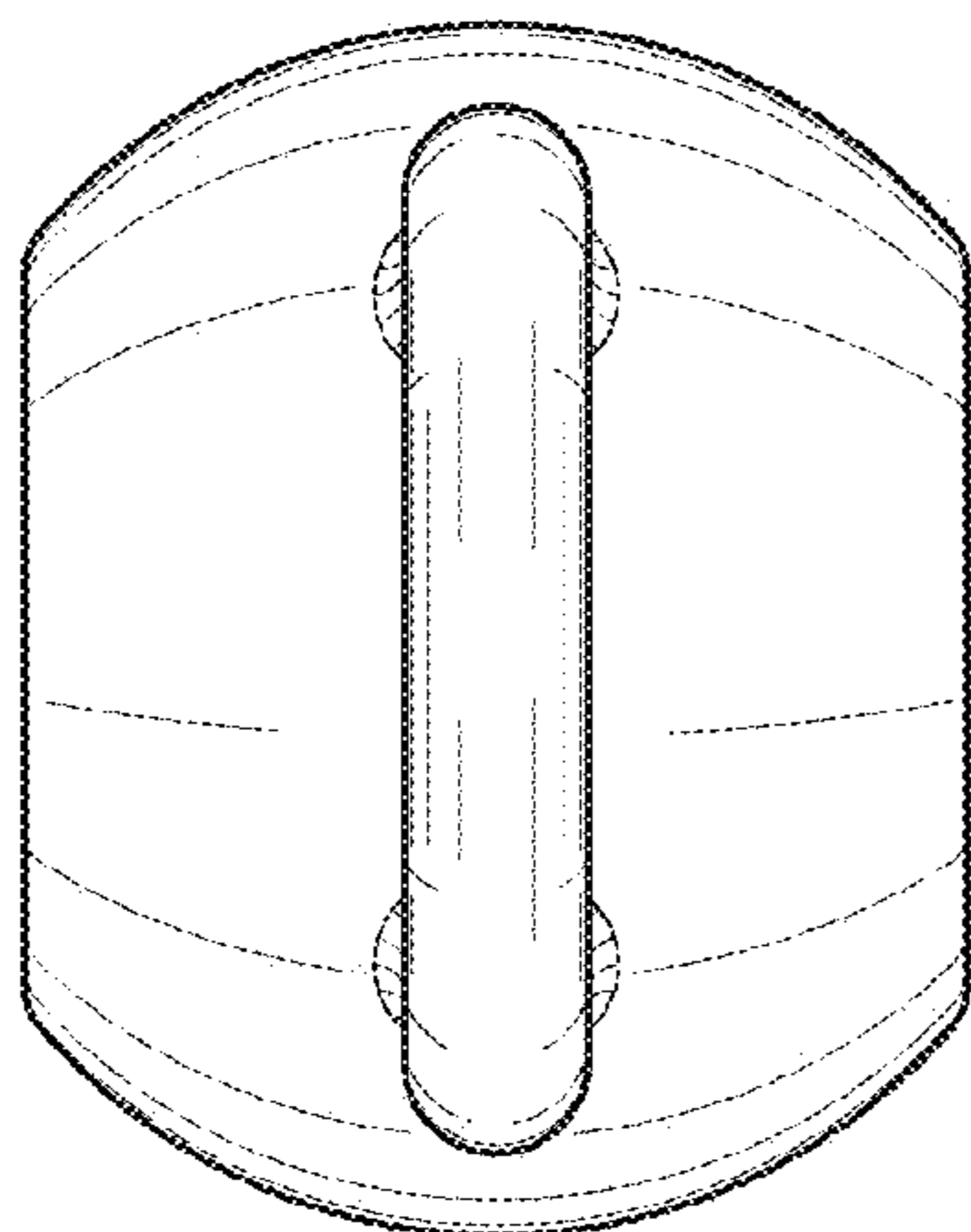


FIG. 6

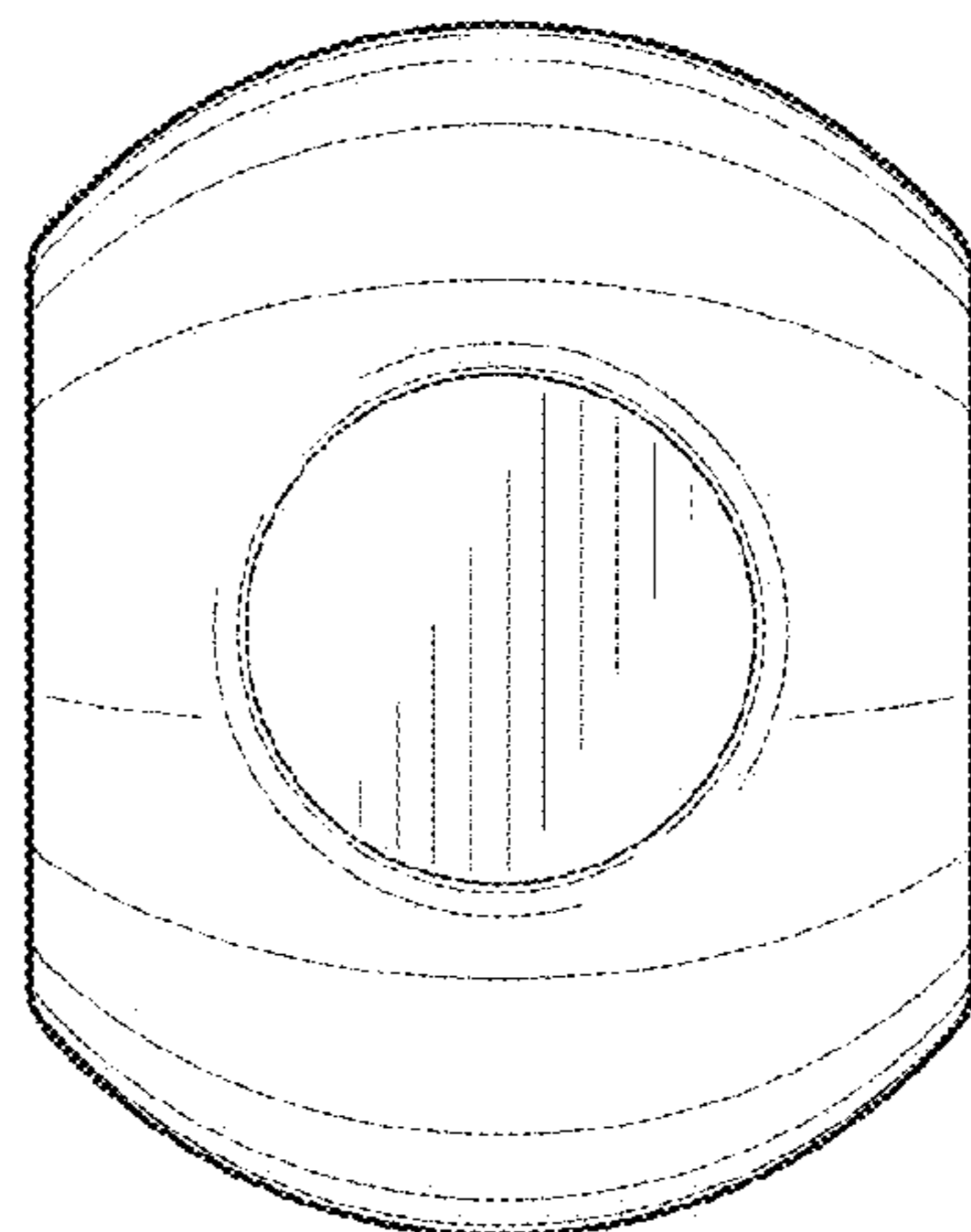


FIG. 7