



US00D715173S

(12) **United States Design Patent**  
**Sebastian Manzanares**

(10) **Patent No.:** **US D715,173 S**  
(45) **Date of Patent:** **\*\* Oct. 14, 2014**

(54) **PROTECTIVE BARRIERS**

(71) Applicant: **Ovelar Merchandising, S.L.**, Madrid  
(ES)  
(72) Inventor: **Alfonso Sebastian Manzanares**, Madrid  
(ES)  
(73) Assignee: **Ovelar Merchandising, S.L.**, Madrid  
(ES)  
(\*\*) Term: **14 Years**

(21) Appl. No.: **29/434,301**  
(22) Filed: **Oct. 11, 2012**

(30) **Foreign Application Priority Data**

Apr. 11, 2012 (ES) ..... 002023333

(51) **LOC (10) Cl.** ..... **10-05**  
(52) **U.S. Cl.**  
USPC ..... **D10/113.3**

(58) **Field of Classification Search**  
USPC ..... D10/113.3; 404/6; 52/459; 49/55, 404;  
318/264; 256/73

See application file for complete search history.

(56) **References Cited**

U.S. PATENT DOCUMENTS

D341,098	S	*	11/1993	Yodock	.....	D10/113.3
5,498,101	A	*	3/1996	Braverman	.....	404/6
5,540,027	A	*	7/1996	Christensen et al.	.....	52/459
6,016,629	A	*	1/2000	Sylvester et al.	.....	49/55
D421,235	S	*	2/2000	Rausch	.....	D10/113.3
6,346,786	B1	*	2/2002	Wood et al.	.....	318/264
6,751,907	B1	*	6/2004	De Gasperis	.....	49/404
2008/0226391	A1	*	9/2008	Phillips et al.	.....	404/6
2009/0101878	A1	*	4/2009	Ruigrok et al.	.....	256/73

\* cited by examiner

*Primary Examiner* — George D Kirschbaum  
(74) *Attorney, Agent, or Firm* — Lucas & Mercanti, LLP

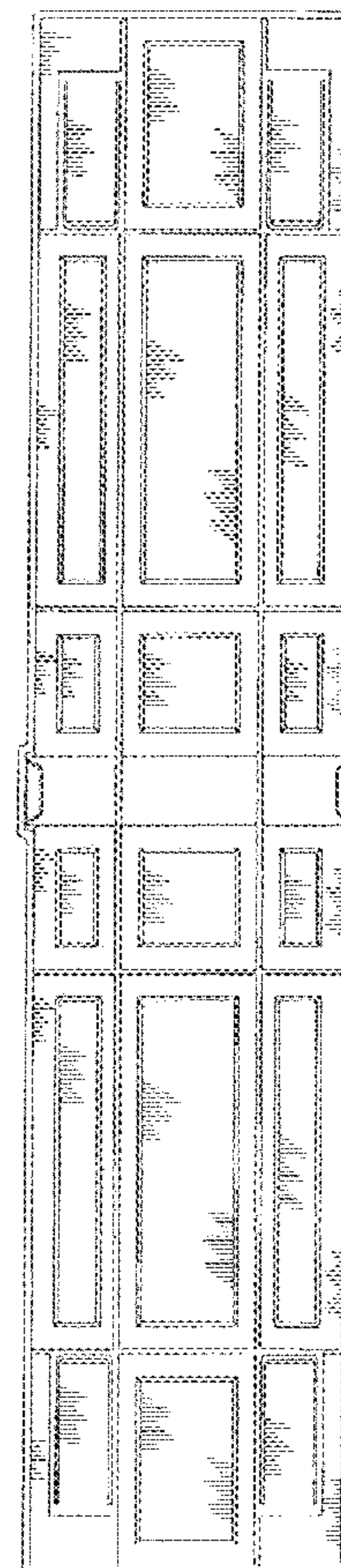
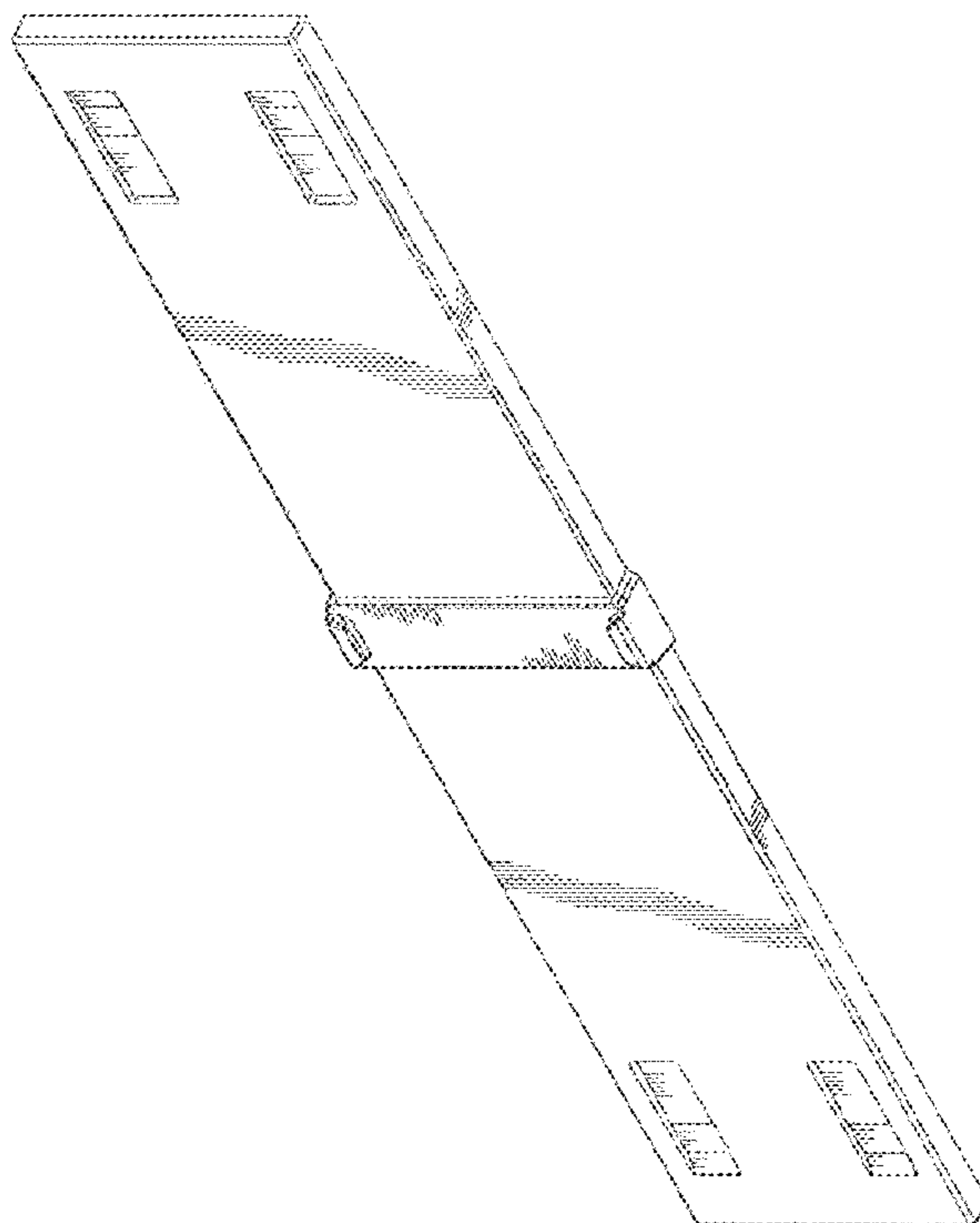
(57) **CLAIM**

The ornamental design for protective barriers, as shown and described.

**DESCRIPTION**

FIG. 1 is a front perspective view of a first embodiment of a protective barrier showing my new design;  
FIG. 2 is a rear view thereof;  
FIG. 3 is a top or bottom view thereof;  
FIG. 4 is a front view thereof; and,  
FIG. 5 is a side view thereof.

**1 Claim, 5 Drawing Sheets**



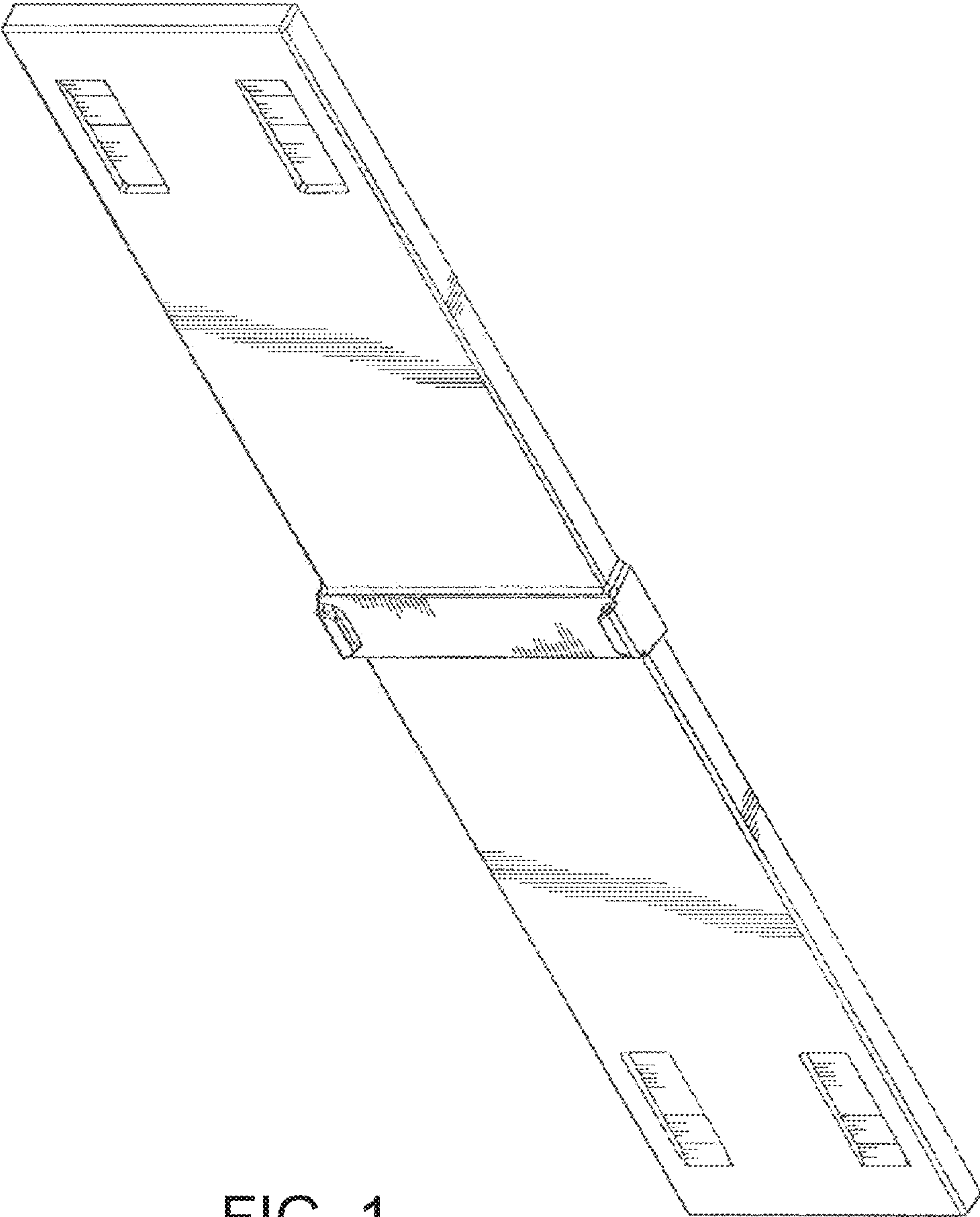


FIG. 1

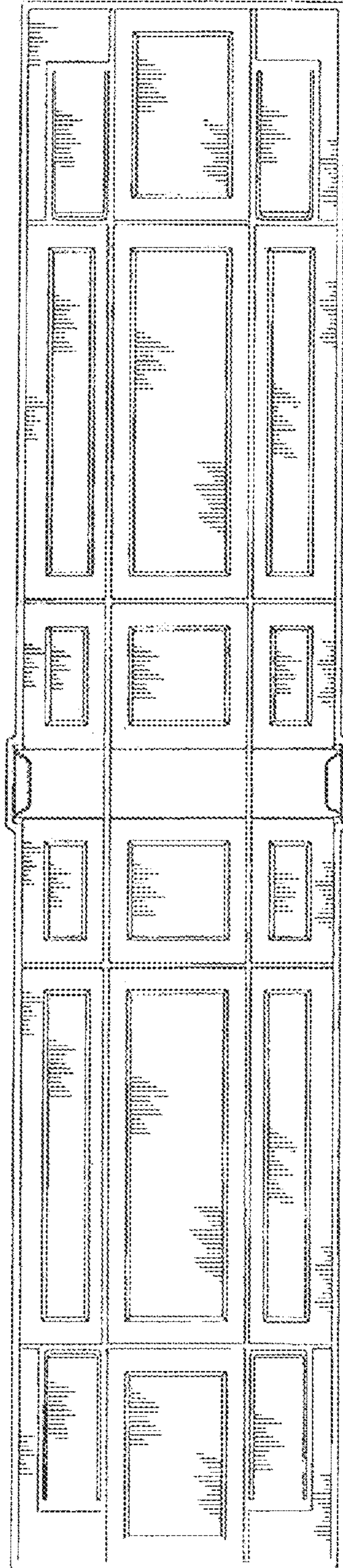


FIG. 2



FIG. 3

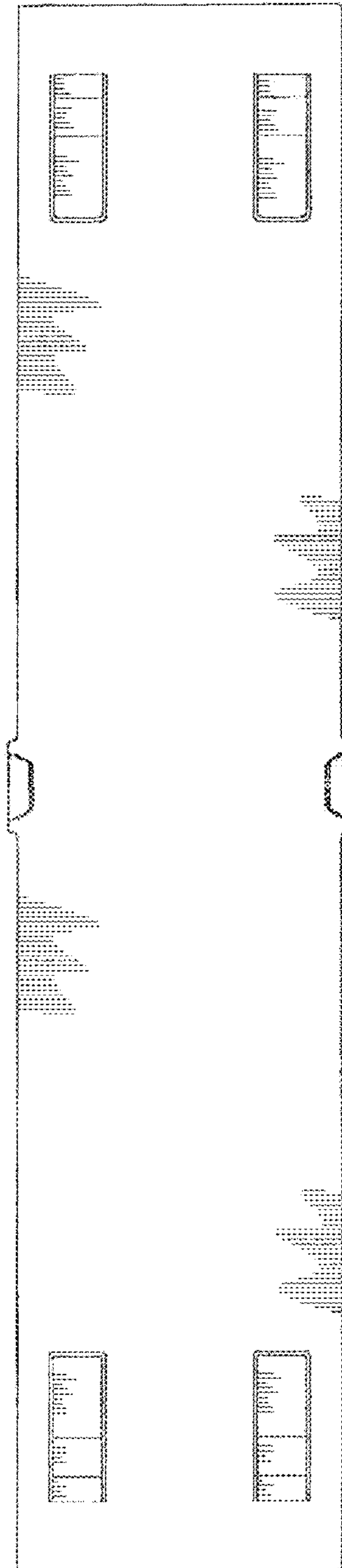


FIG. 4



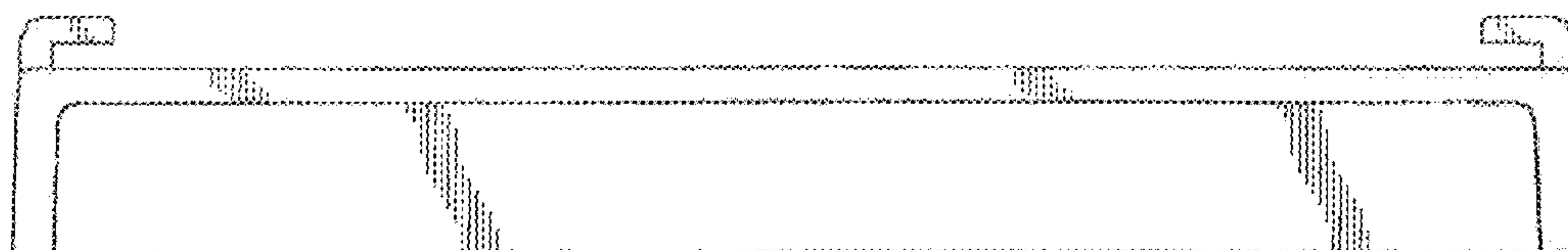


FIG. 5