



US00D715170S

(12) **United States Design Patent**  
**Brigham et al.**

(10) **Patent No.:** **US D715,170 S**

(45) **Date of Patent:** **\*\* Oct. 14, 2014**

(54) **FIRE ALARM**

(56) **References Cited**

(71) Applicant: **Sprue Safety Products Ltd.**, Coventry (GB)

U.S. PATENT DOCUMENTS

(72) Inventors: **Peter Brigham**, Coventry (GB); **Chris Bolger**, Coventry (GB)

D252,862 S *	9/1979	Mackay .....	D10/106.5
D485,200 S *	1/2004	Berthold et al. ....	D10/106.5
D608,671 S *	1/2010	Treharne .....	D10/106.5
D653,575 S *	2/2012	Treharne et al. ....	D10/106.5
D703,565 S *	4/2014	Chen et al. ....	D10/106.5
D703,566 S *	4/2014	Chen et al. ....	D10/106.5

(73) Assignee: **Sprue Safety Products Ltd.** (GB)

\* cited by examiner

(\*\*) Term: **14 Years**

*Primary Examiner* — George D Kirschbaum

(21) Appl. No.: **29/483,907**

(74) *Attorney, Agent, or Firm* — Barnes & Thornburg LLP

(22) Filed: **Mar. 4, 2014**

(57) **CLAIM**

What is claimed is the ornamental design for a fire alarm, as shown and described.

(30) **Foreign Application Priority Data**

**DESCRIPTION**

Sep. 4, 2013 (EM) ..... 002302489-0001

(51) **LOC (10) Cl.** ..... **10-05**

(52) **U.S. Cl.**  
USPC ..... **D10/106.5**

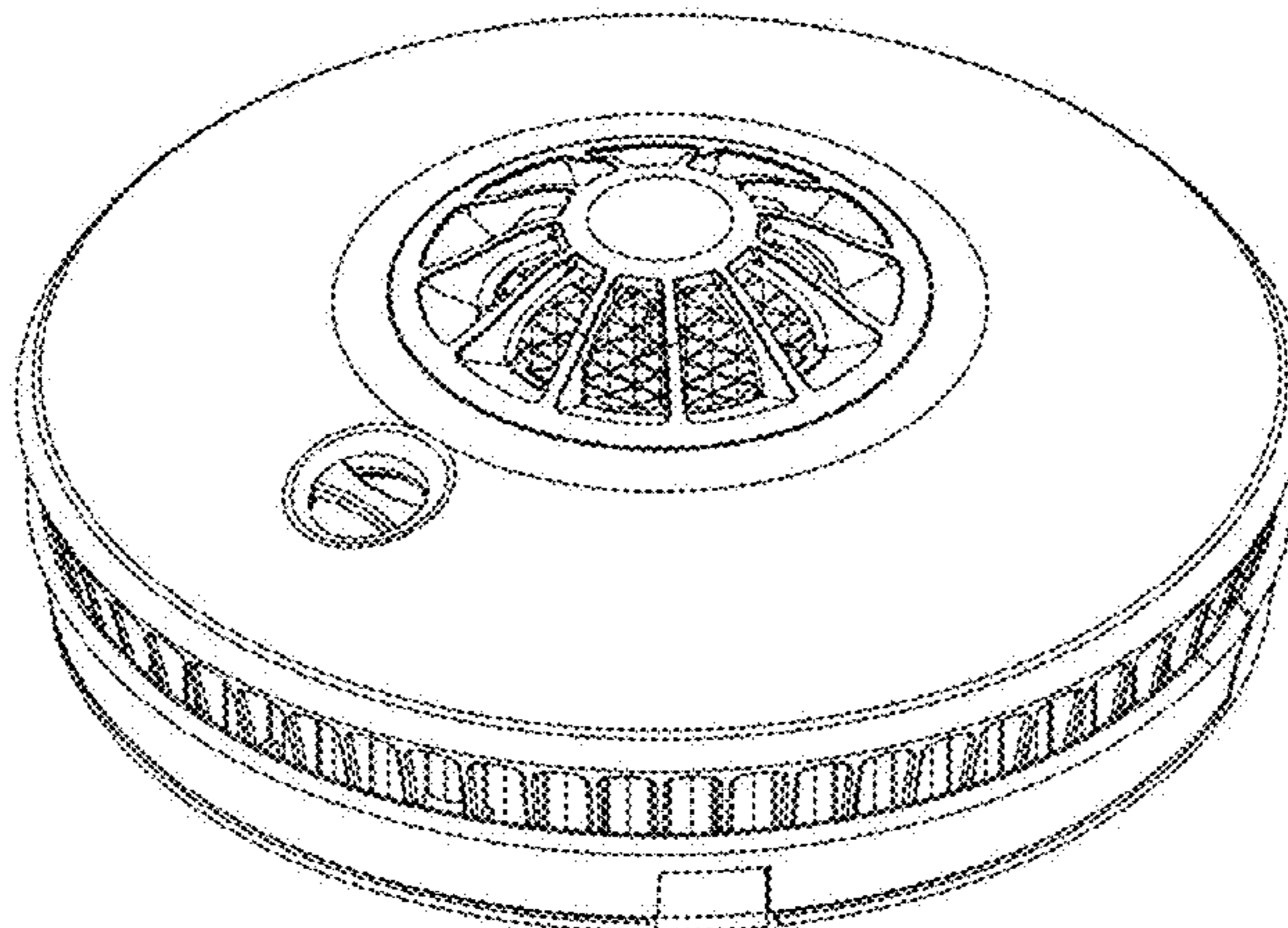
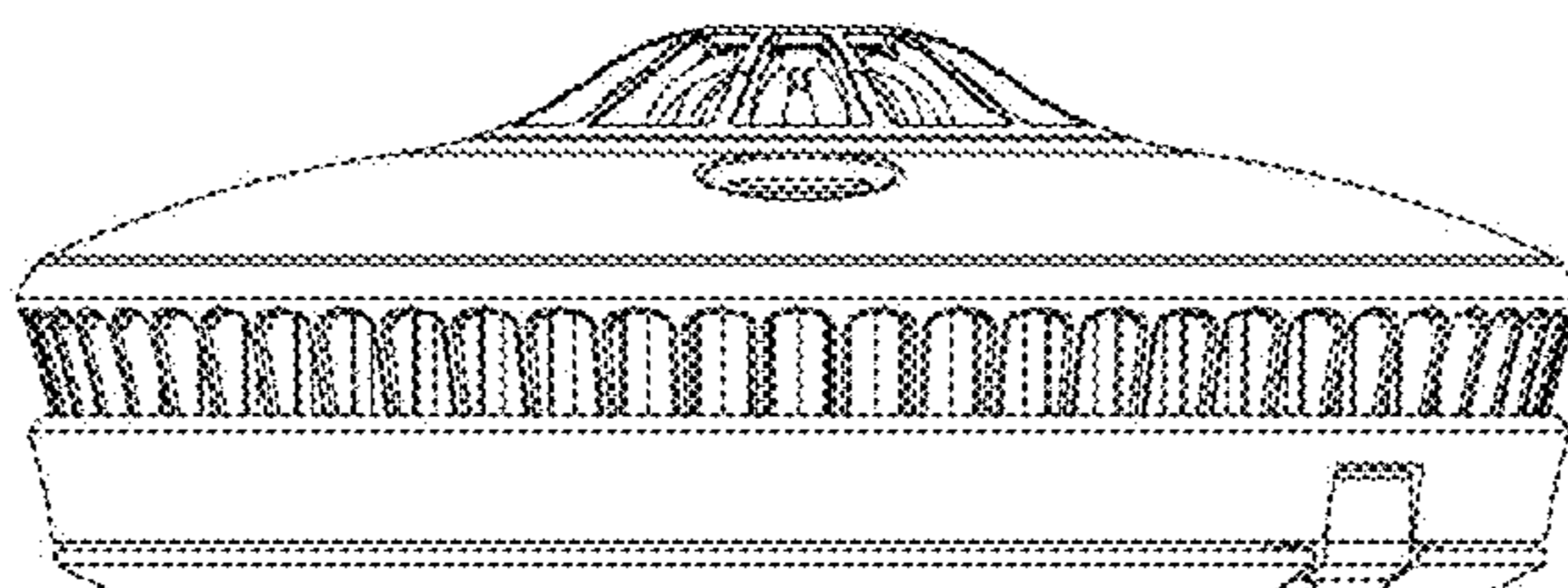
(58) **Field of Classification Search**  
USPC ..... D10/106.1, 106.2, 106.5; 340/628–630,  
340/571

FIG. 1 is a left view of our new design;  
FIG. 2 is a front view thereof;  
FIG. 3 is a back view thereof,  
FIG. 4 is a top view thereof;  
FIG. 5 is a right view thereof;  
FIG. 6 is a perspective view thereof; and,  
FIG. 7 is a bottom view thereof.

The broken lines shown in the drawings are for purposes of illustrating portions of the design and form no part of the claimed design.

See application file for complete search history.

**1 Claim, 7 Drawing Sheets**



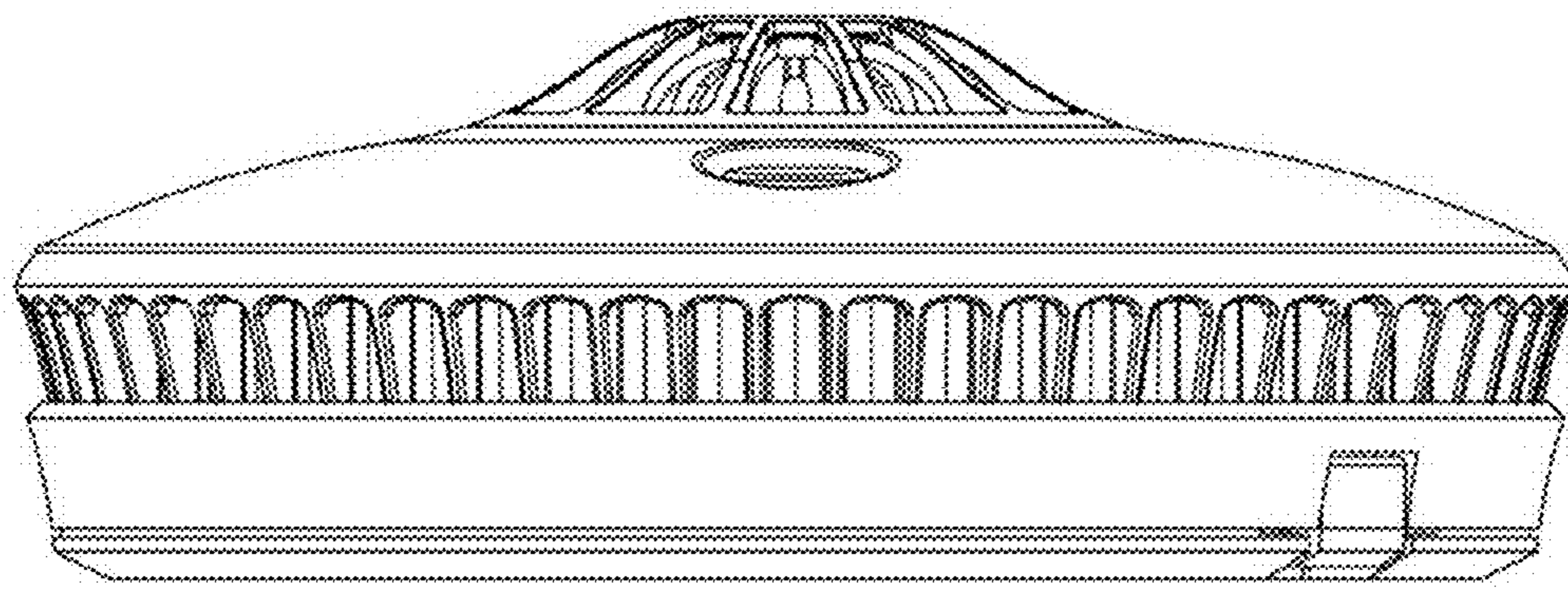


FIG. 1

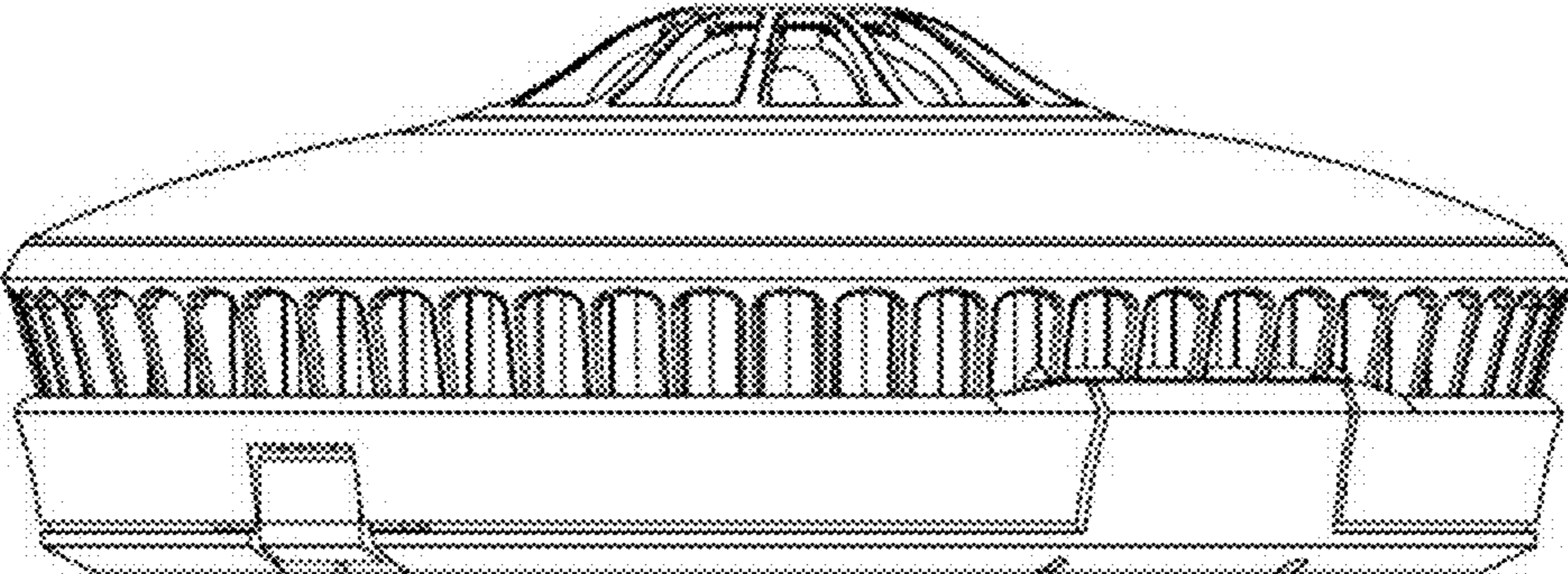


FIG. 2

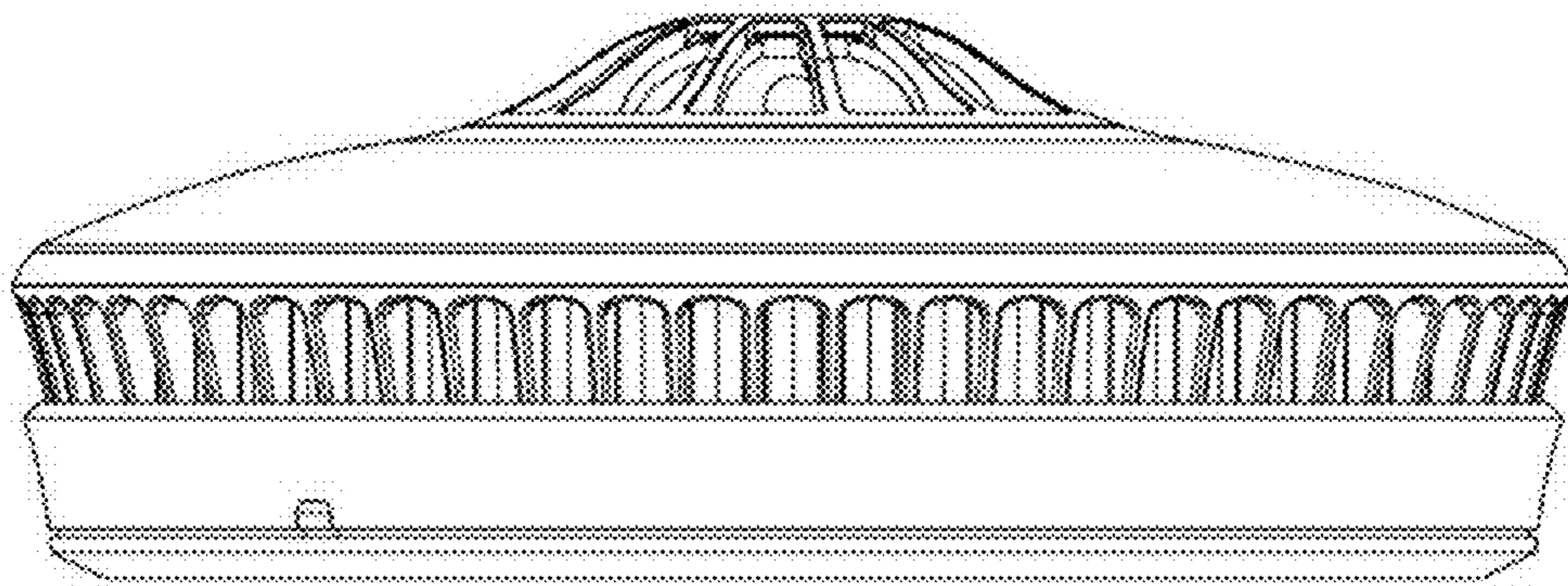


FIG. 3

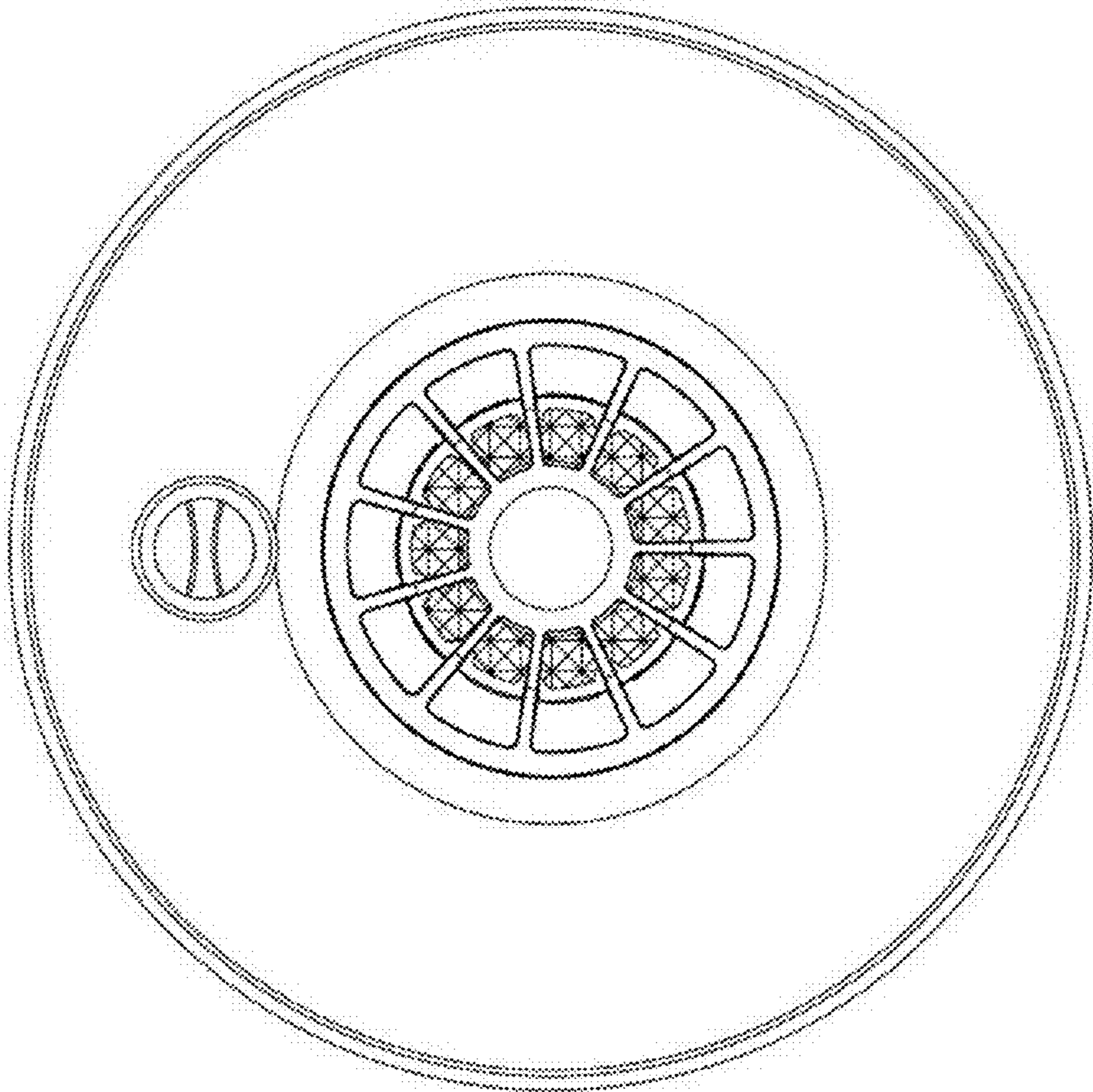


FIG. 4

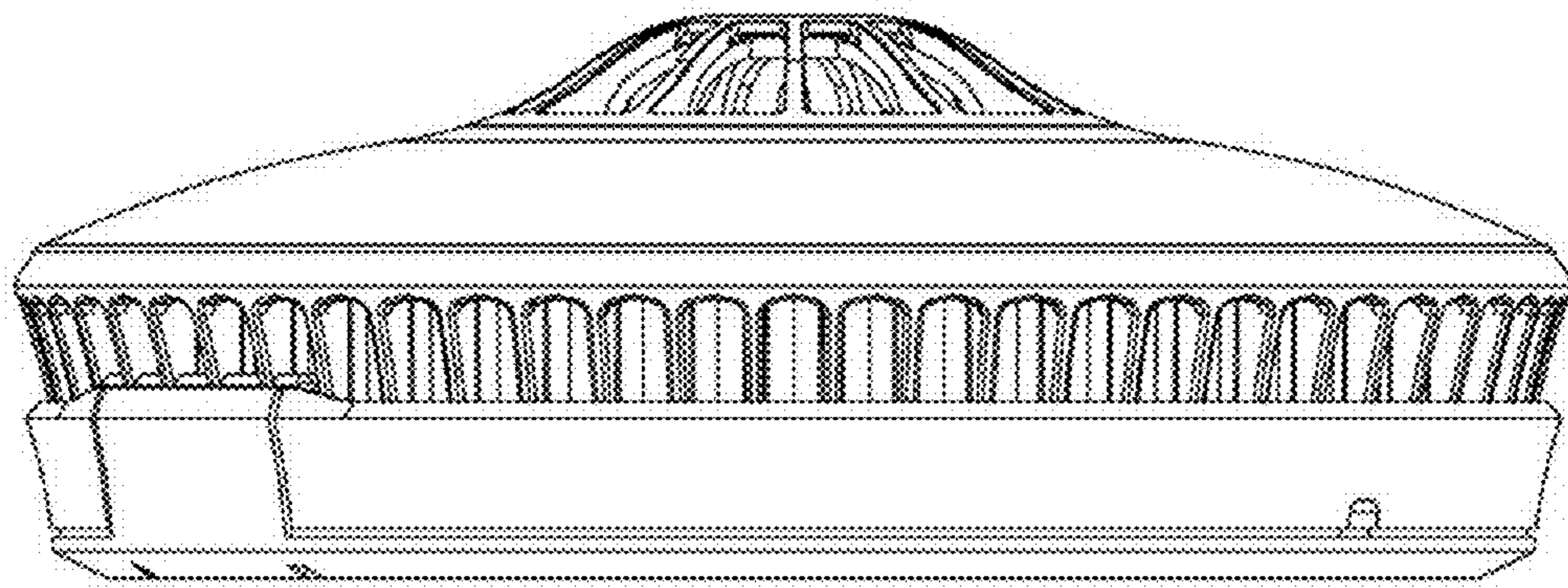


FIG. 5

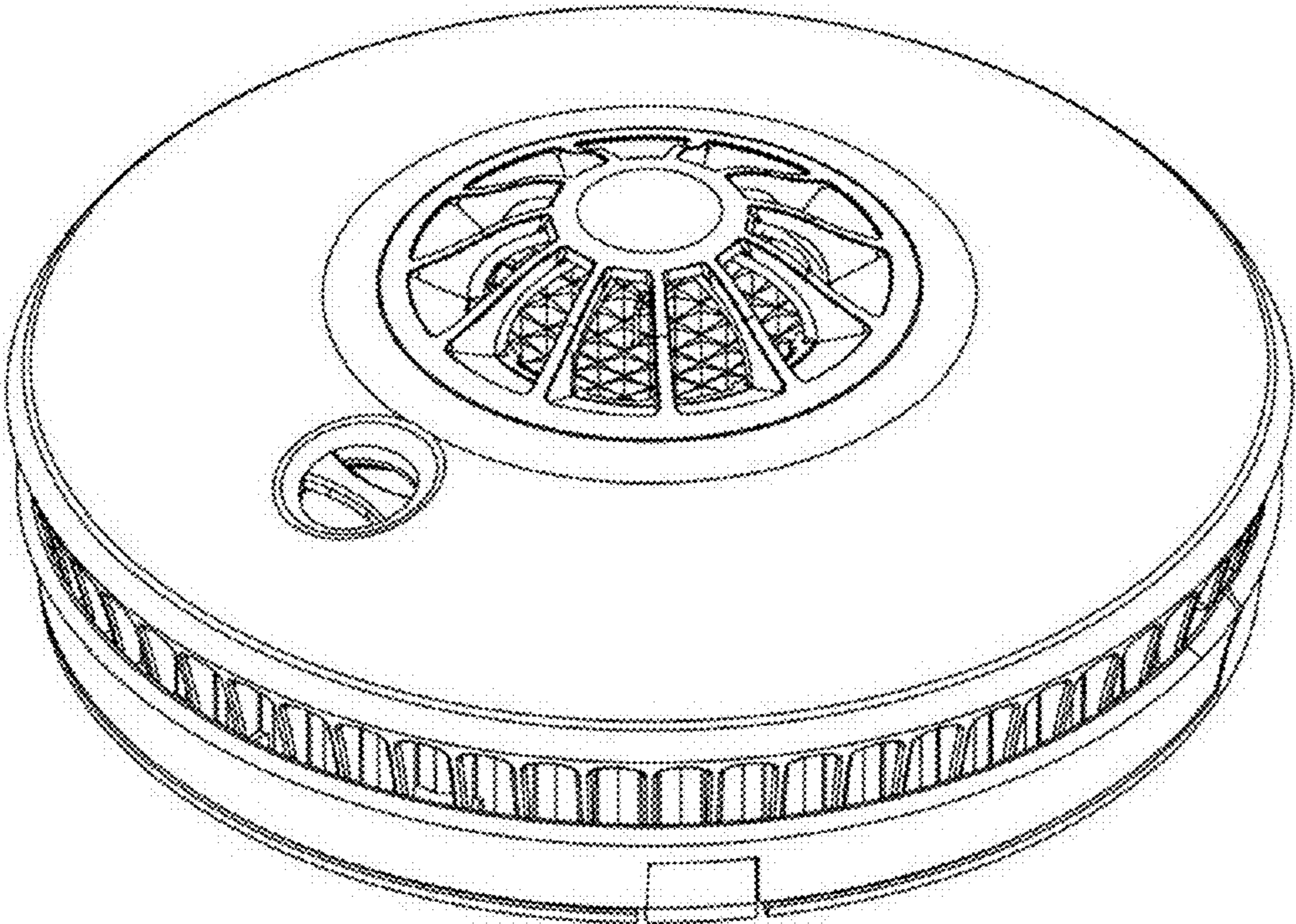


FIG. 6

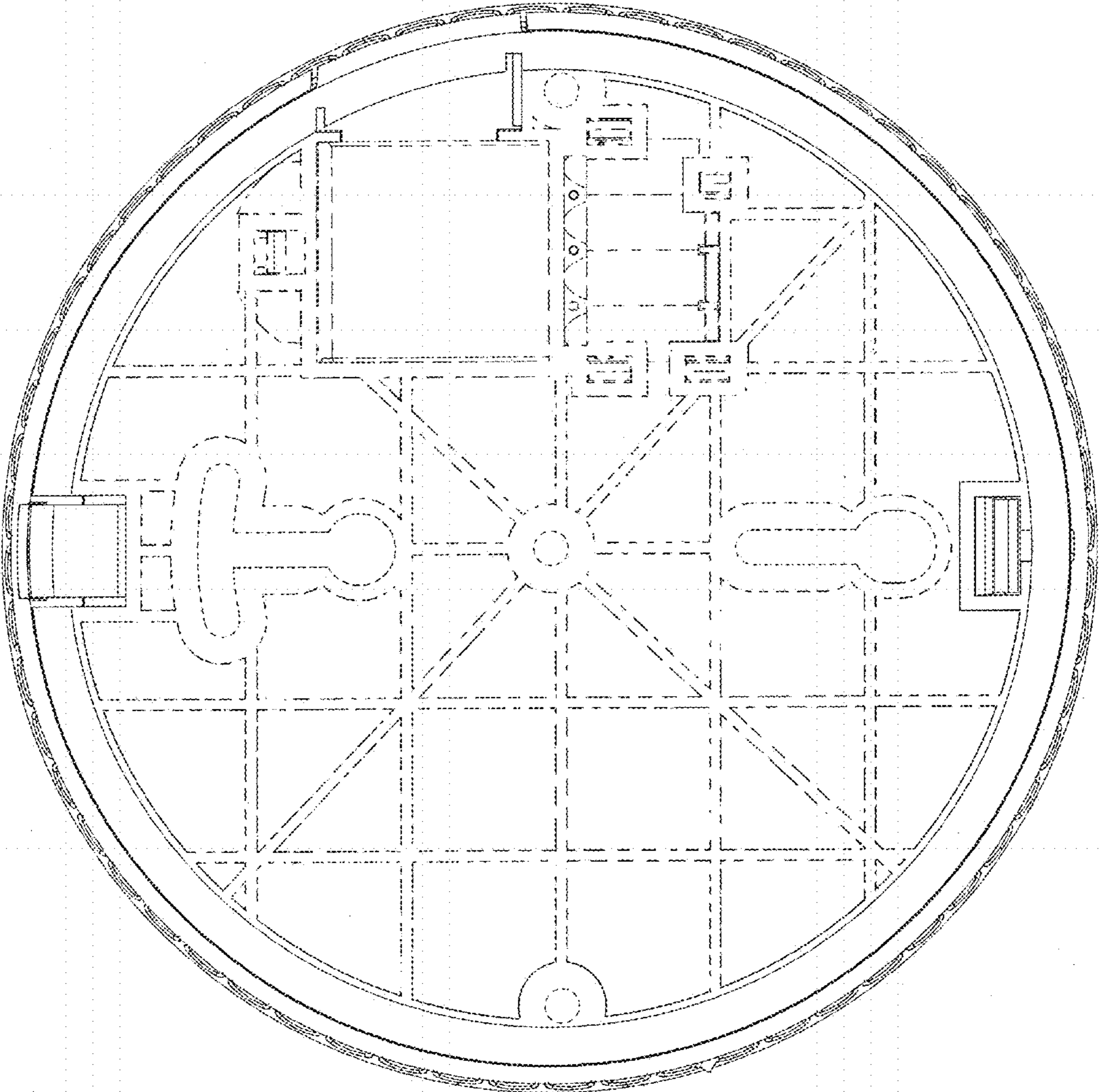


FIG. 7