



US00D715169S

(12) **United States Design Patent**
Chen

(10) **Patent No.:** **US D715,169 S**

(45) **Date of Patent:** **** Oct. 14, 2014**

(54) **CLAMP TYPE ELECTRICAL MULTIMETER**

(71) Applicant: **Li-Chuan Chen**, Taipei (TW)

(72) Inventor: **Li-Chuan Chen**, Taipei (TW)

(**) Term: **14 Years**

(21) Appl. No.: **29/456,414**

(22) Filed: **May 31, 2013**

(51) **LOC (10) Cl.** **10-04**

(52) **U.S. Cl.**
USPC **D10/79**

(58) **Field of Classification Search**
CPC G01R 1/04; G01R 1/22; G01R 15/12;
G01R 15/181; G01R 15/186
USPC D10/79; 324/72.5, 556, 133, 149, 503,
324/543, 555, 66, 72, 754, 115, 141, 116,
324/126, 127, 156; 340/635, 687; 439/822,
439/858

See application file for complete search history.

(56) **References Cited**

U.S. PATENT DOCUMENTS

D450,002 S * 11/2001 Chang D10/79
D467,190 S * 12/2002 Ikeda et al. D10/79
D472,830 S * 4/2003 Chang D10/79

D628,918 S * 12/2010 Chang D10/79
8,159,211 B2 * 4/2012 Wang et al. 324/127
D683,250 S * 5/2013 Marzynski et al. D10/79
D684,074 S * 6/2013 Wei D10/79

* cited by examiner

Primary Examiner — Antoine D Davis

(74) *Attorney, Agent, or Firm* — Alan Kamrath; Kamrath IP Lawfirm, P.A.

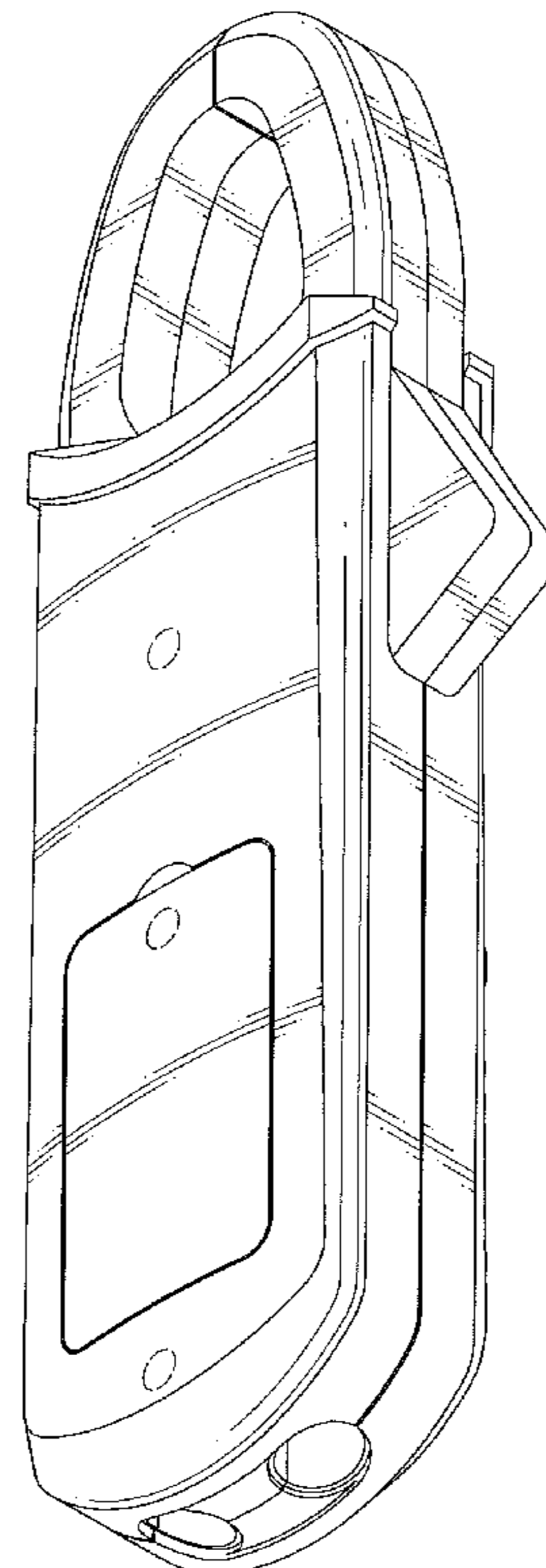
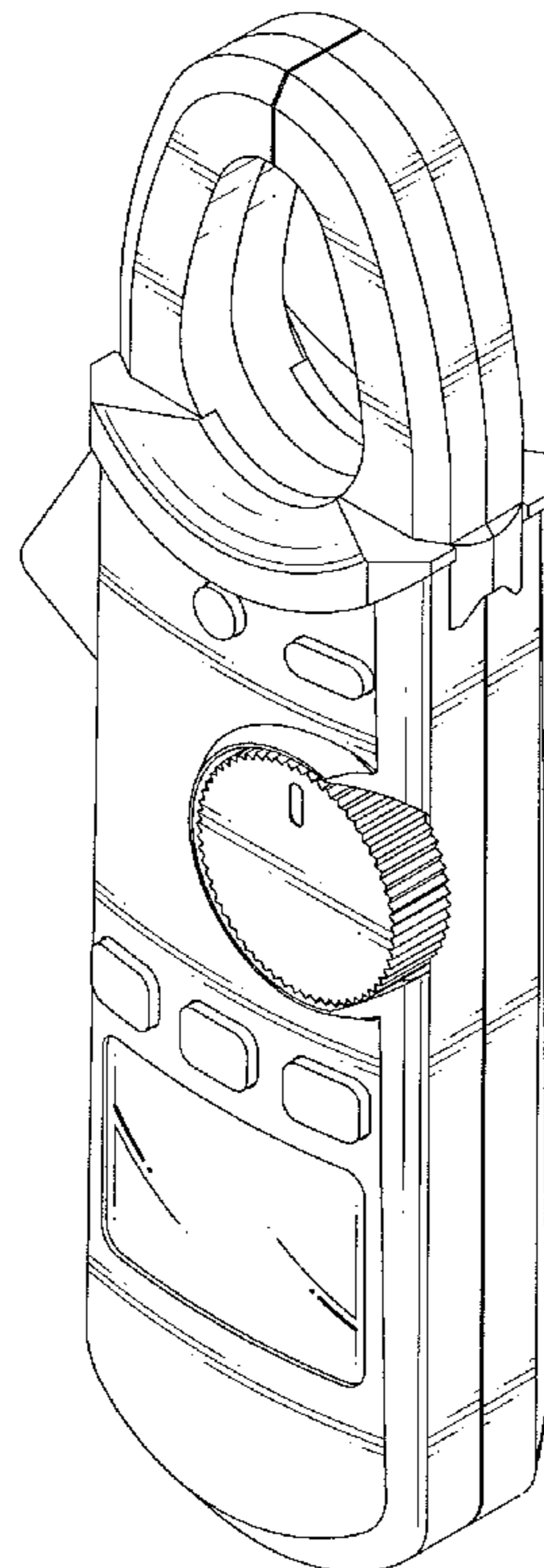
(57) **CLAIM**

The ornamental design for a clamp type electrical multimeter, as shown and described.

DESCRIPTION

FIG. 1 is a perspective view of a clamp type electrical multimeter showing my new design;
FIG. 2 is a front view thereof;
FIG. 3 is a rear view thereof;
FIG. 4 is a left side view thereof;
FIG. 5 is a right side view thereof;
FIG. 6 is a top view thereof;
FIG. 7 is a bottom view thereof; and,
FIG. 8 is another perspective view thereof.
The broken lines are shown for illustrative purposes only and form no part of the claimed design.

1 Claim, 8 Drawing Sheets



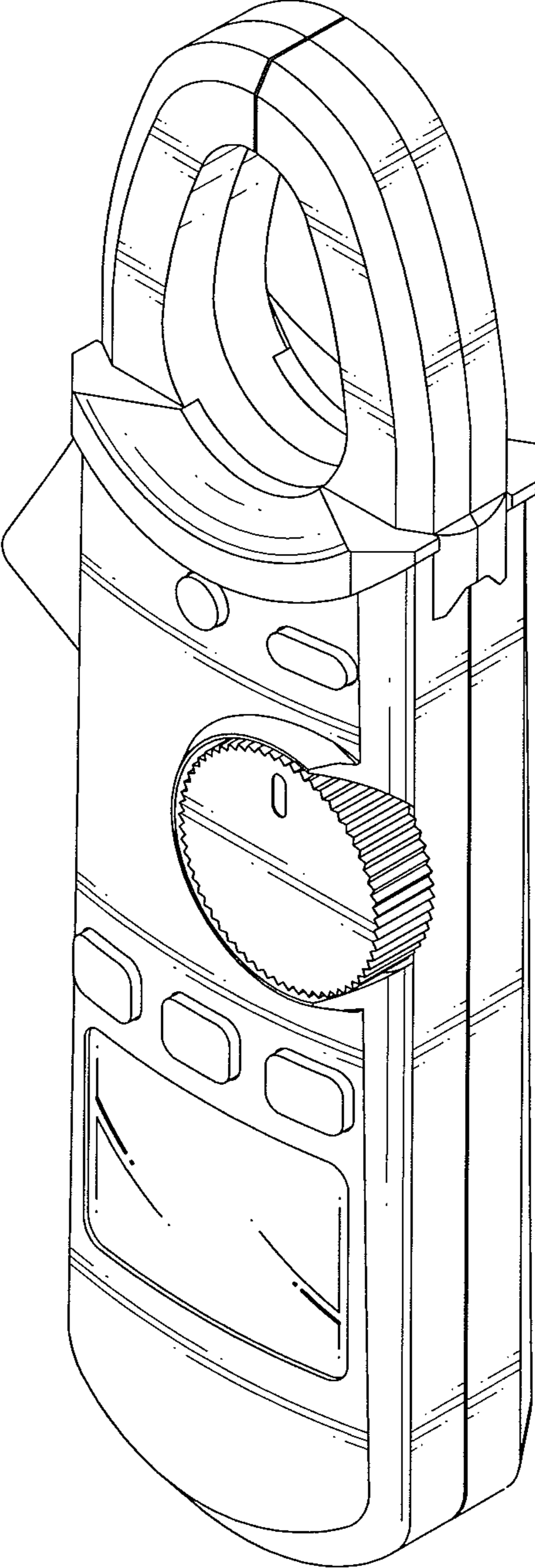


FIG.1

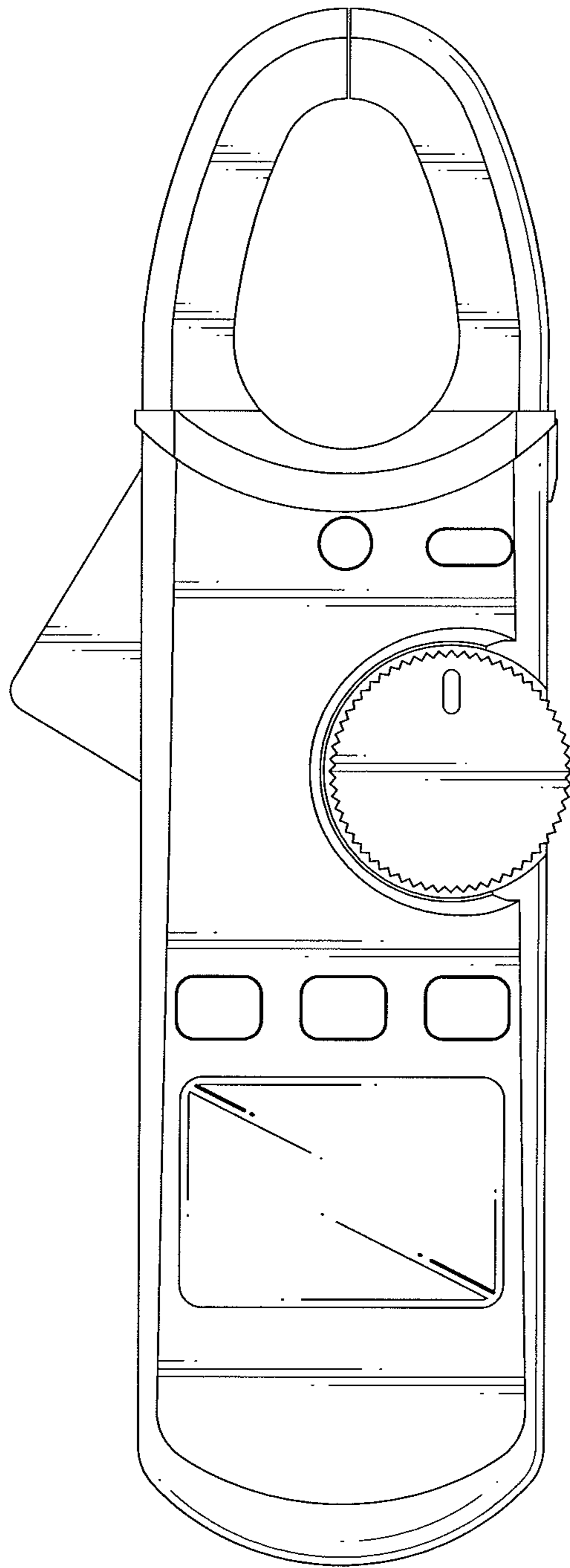


FIG.2

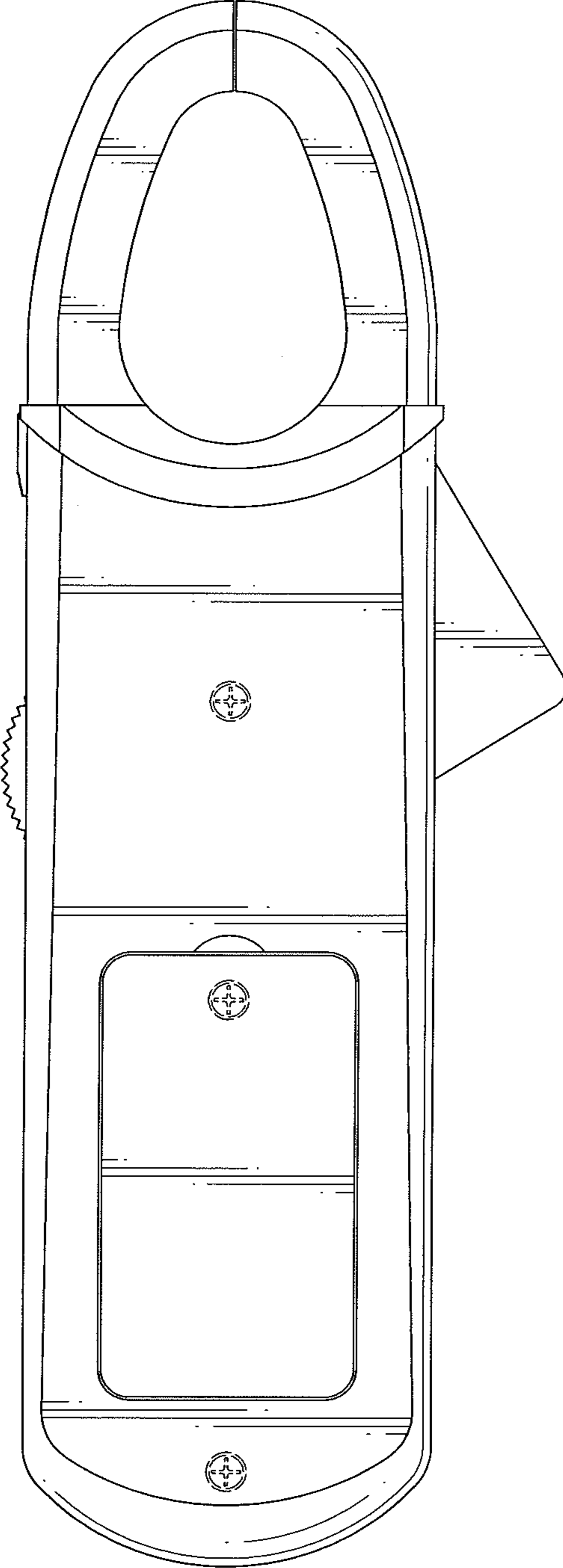


FIG.3

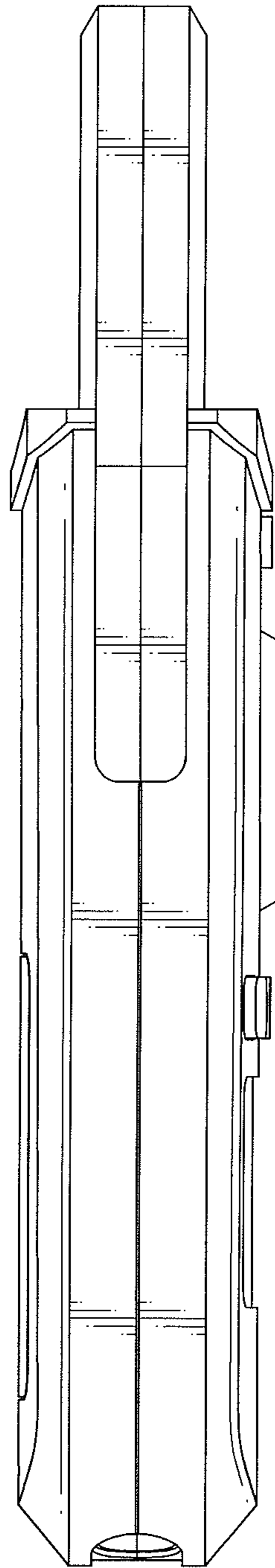


FIG.4

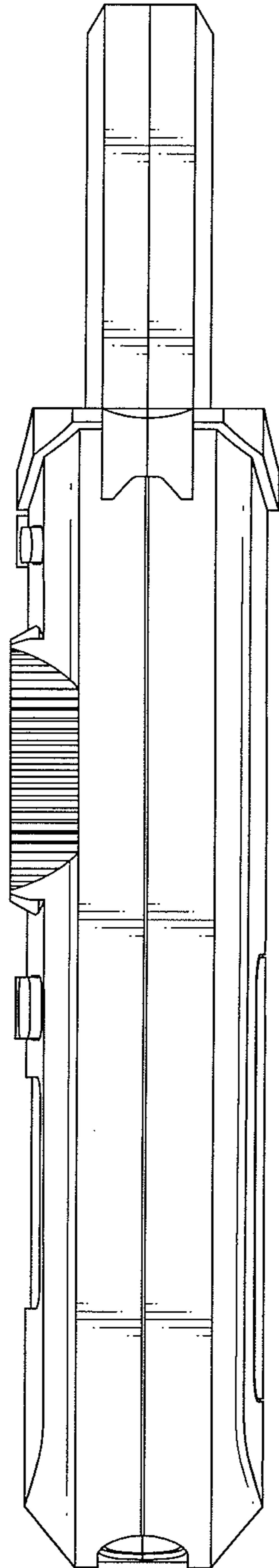


FIG.5

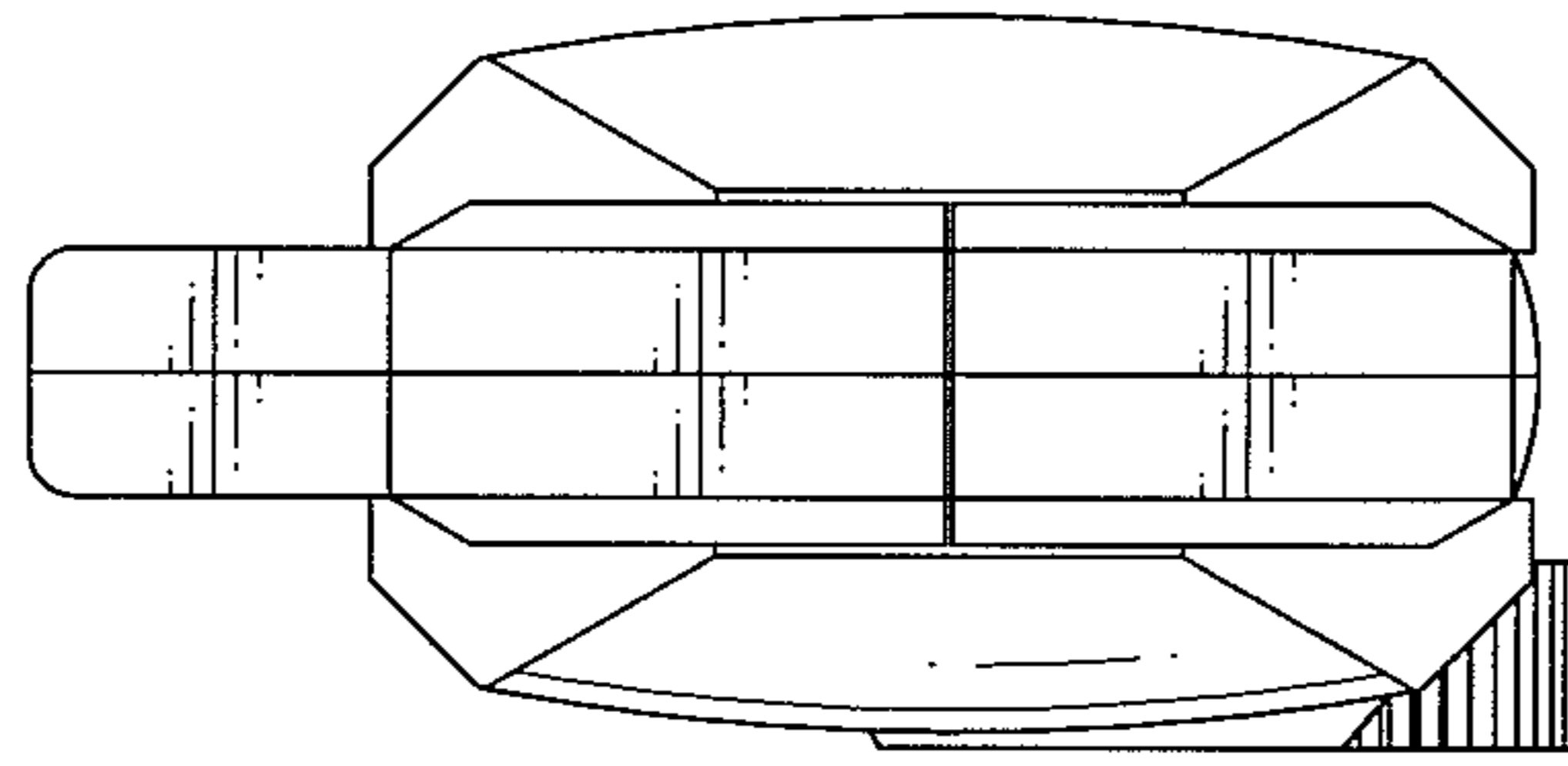


FIG.6

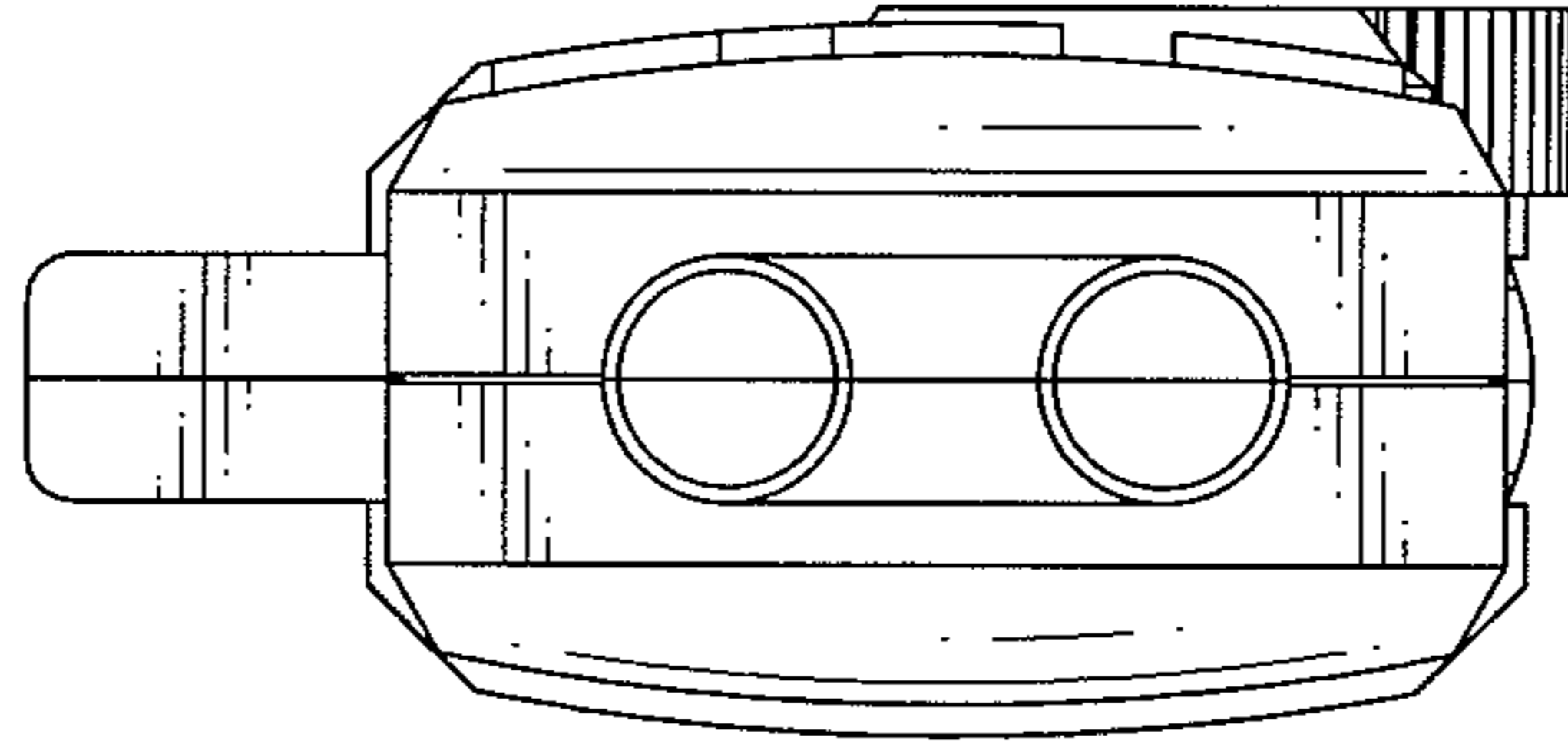


FIG.7

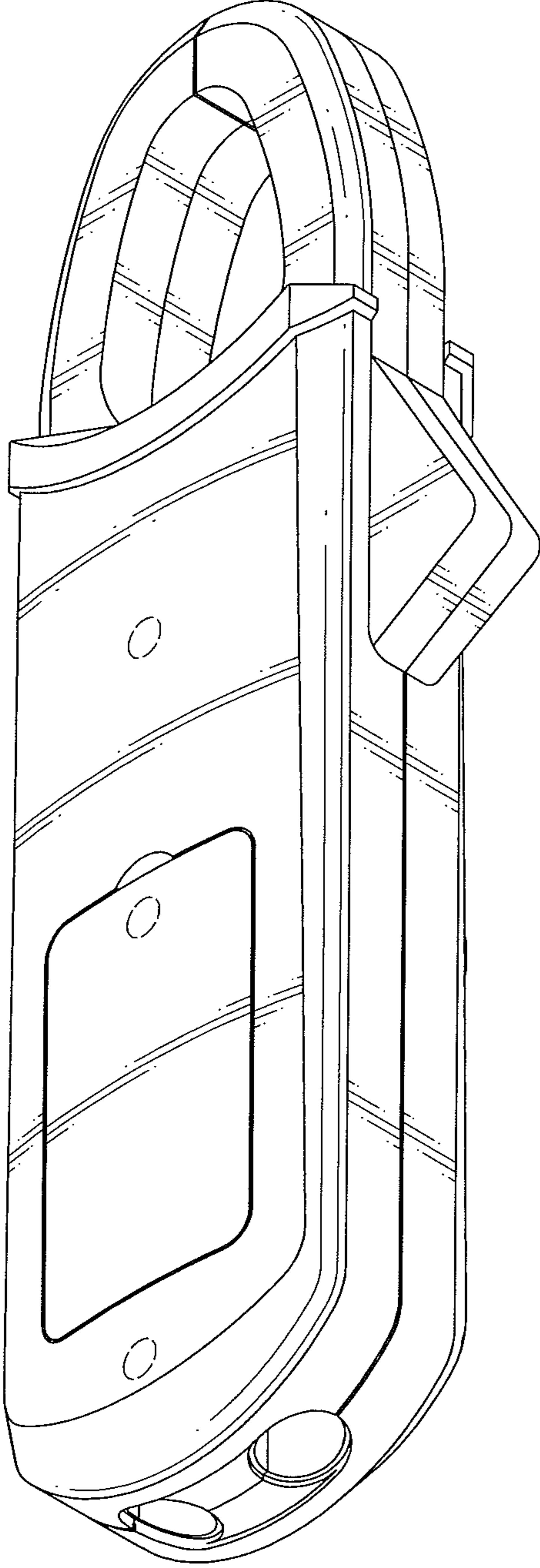


FIG.8