



US00D715168S

(12) **United States Design Patent**
Martinez et al.

(10) **Patent No.:** **US D715,168 S**
(45) **Date of Patent:** **** Oct. 14, 2014**

- (54) **FISH TAPE GUIDE**
- (71) Applicant: **Martinez and Oliver Ventures**, Plano, TX (US)
- (72) Inventors: **Julian Martinez**, Dallas, TX (US);
Javier Oliver, Plano, TX (US)
- (73) Assignee: **Martinez and Oliver Ventures**, Plano, TX (US)

4,854,546 A	8/1989	Veal	
D342,686 S *	12/1993	Rios	D10/72
D377,611 S *	1/1997	Miklas	D10/70
5,906,357 A	5/1999	Munson, Sr.	
6,101,734 A *	8/2000	Ten Caat et al.	33/770
6,193,217 B1	2/2001	Zimmer	
6,945,515 B2	9/2005	Diggle, III et al.	
7,568,296 B2 *	8/2009	Huang	33/761
7,913,409 B2 *	3/2011	Wilson	33/414
2008/0221482 A1	9/2008	Mondry et al.	
2012/0080650 A1 *	4/2012	Davidson et al.	254/134.3 FT

- (**) Term: **14 Years**
- (21) Appl. No.: **29/453,932**
- (22) Filed: **May 3, 2013**
- (51) **LOC (10) Cl.** **10-04**
- (52) **U.S. Cl.**
USPC **D10/74**
- (58) **Field of Classification Search**
CPC H02G 1/08; H02G 1/081; H02G 1/086;
G02B 6/4465; G01B 3/1071; G01B 3/1056;
G01B 3/02; G01B 3/11; G01B 2003/1076;
G01B 2003/1079
USPC D10/72, 74; D8/394, 395; 33/768-770;
254/134.3 FT, 134.4
See application file for complete search history.

OTHER PUBLICATIONS

Labor Saving Devices Inc. Catalog, vol. 27, Jul. 2012; 9 pages.

* cited by examiner

Primary Examiner — Antoine D Davis

(57) **CLAIM**

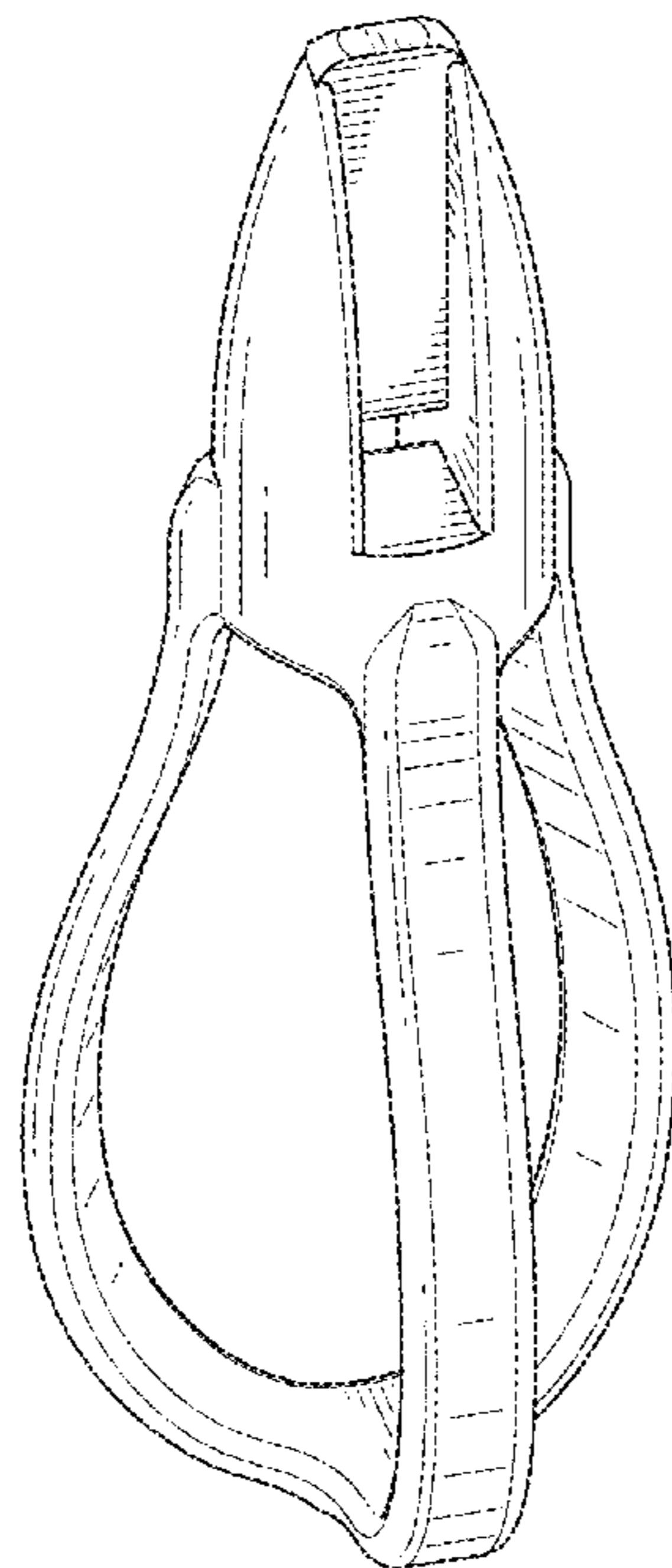
The ornamental design for a “fish tape guide,” as shown and described.

DESCRIPTION

FIG. 1 is a front perspective view of the fish tape guide;
 FIG. 2 is a front view of the fish tape guide;
 FIG. 3 is a rear view of the fish tape guide;
 FIG. 4 is a left view of the fish tape guide;
 FIG. 5 is a right view of the fish tape guide;
 FIG. 6 is a top view of the fish tape guide;
 FIG. 7 is a bottom view of the fish tape guide; and,
 FIG. 8 is an environmental perspective view including the fish tape guide.
 The broken lines shown in the drawings represent portions of the fish tape guide or environment that form no part of the claimed design.

- (56) **References Cited**
U.S. PATENT DOCUMENTS
- | | | | |
|---------------|---------|-----------------|---------|
| 1,035,994 A | 8/1912 | Mueller | |
| 1,649,937 A * | 11/1927 | Waltz | 403/274 |
| 3,330,533 A | 7/1967 | Blume | |
| 4,305,206 A * | 12/1981 | Roe | 33/770 |
| 4,498,659 A | 2/1985 | Brockelsby, III | |
| 4,662,078 A * | 5/1987 | Gammon et al. | 33/413 |

1 Claim, 4 Drawing Sheets



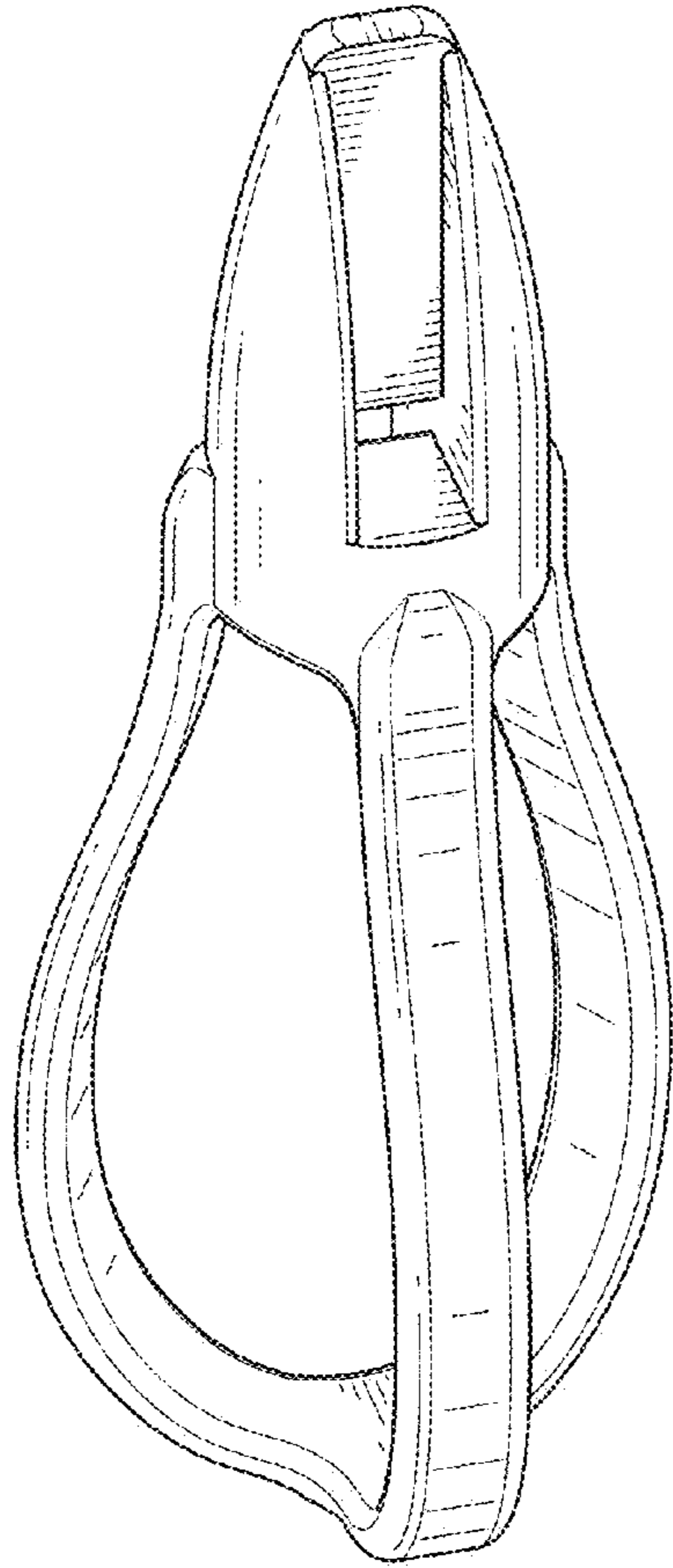


FIG. 1

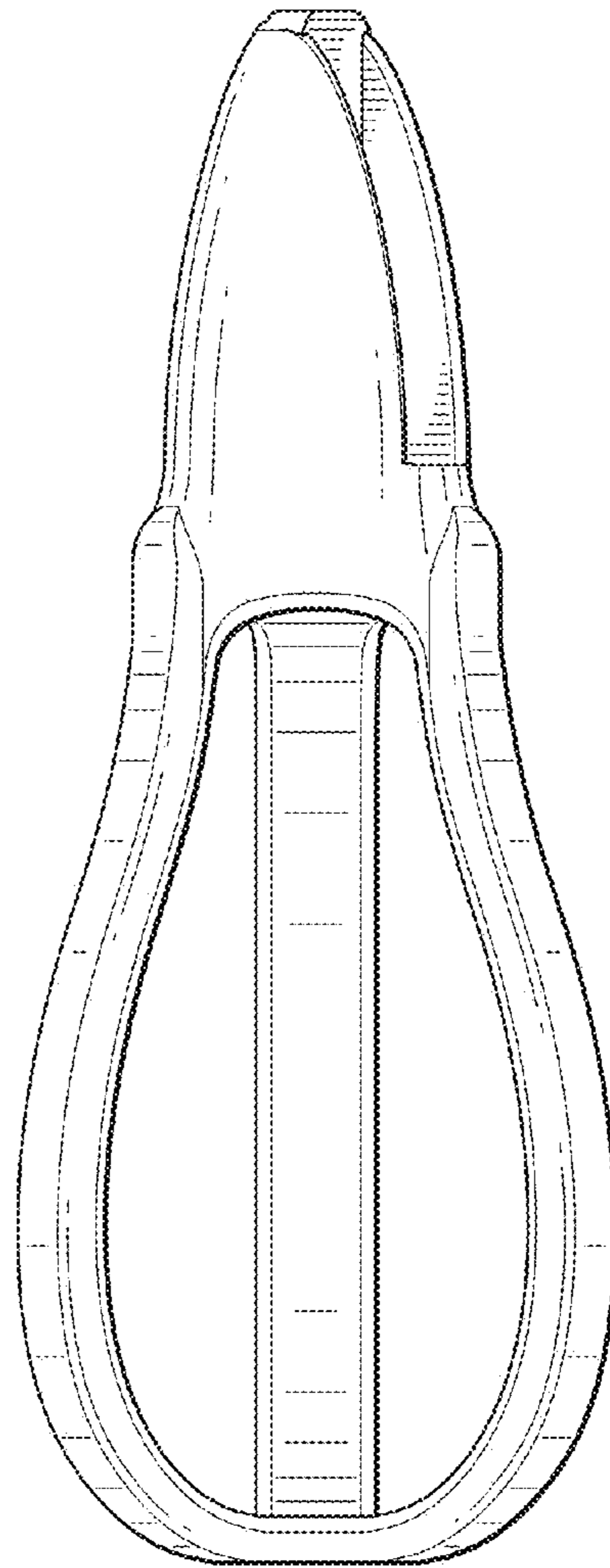


FIG. 2

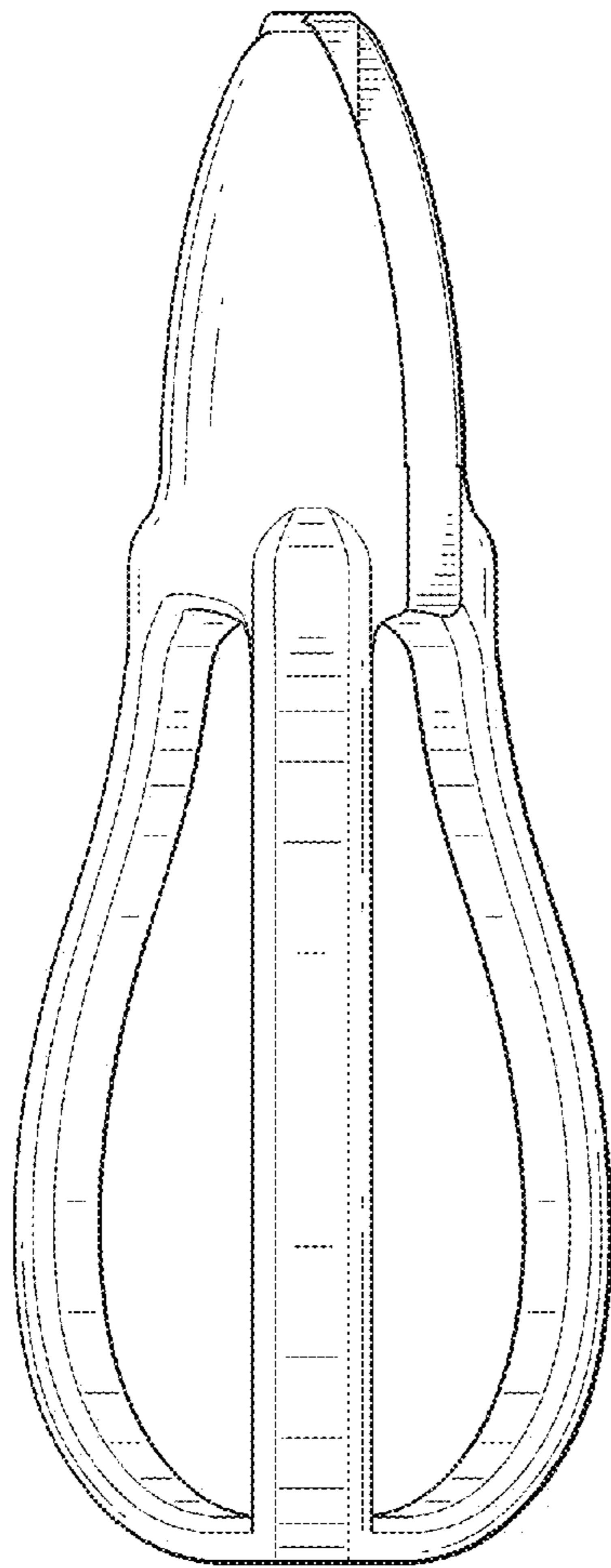


FIG. 3

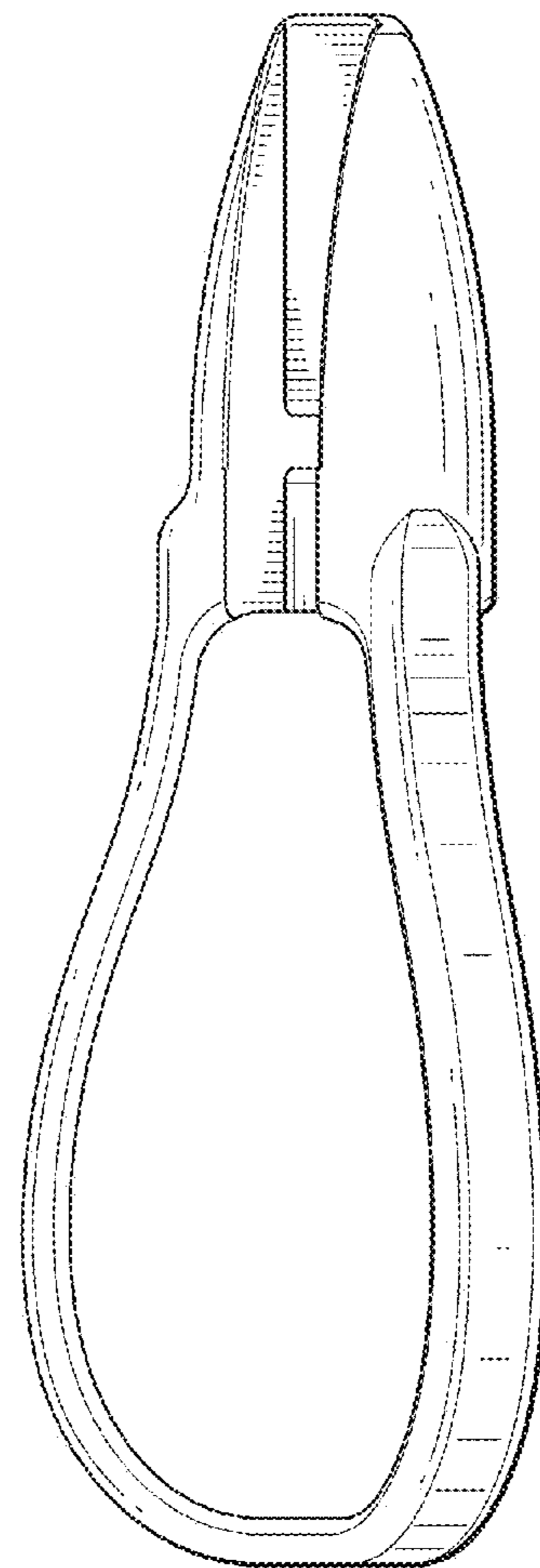


FIG. 4

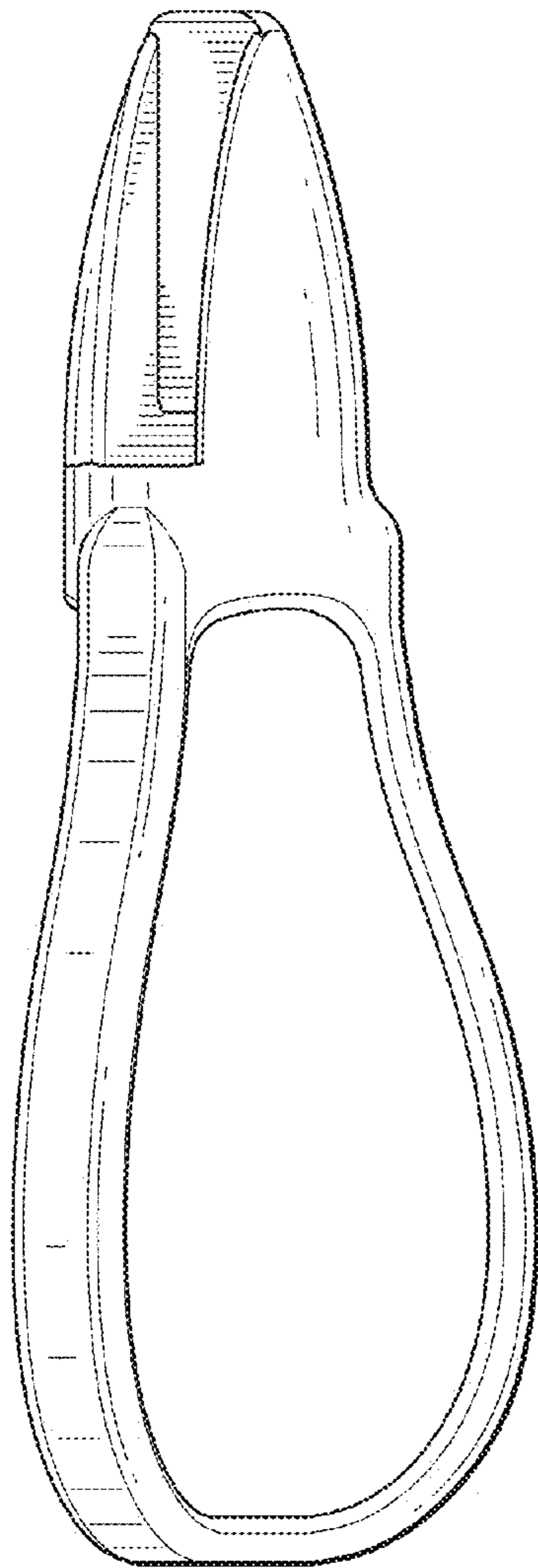


FIG. 5

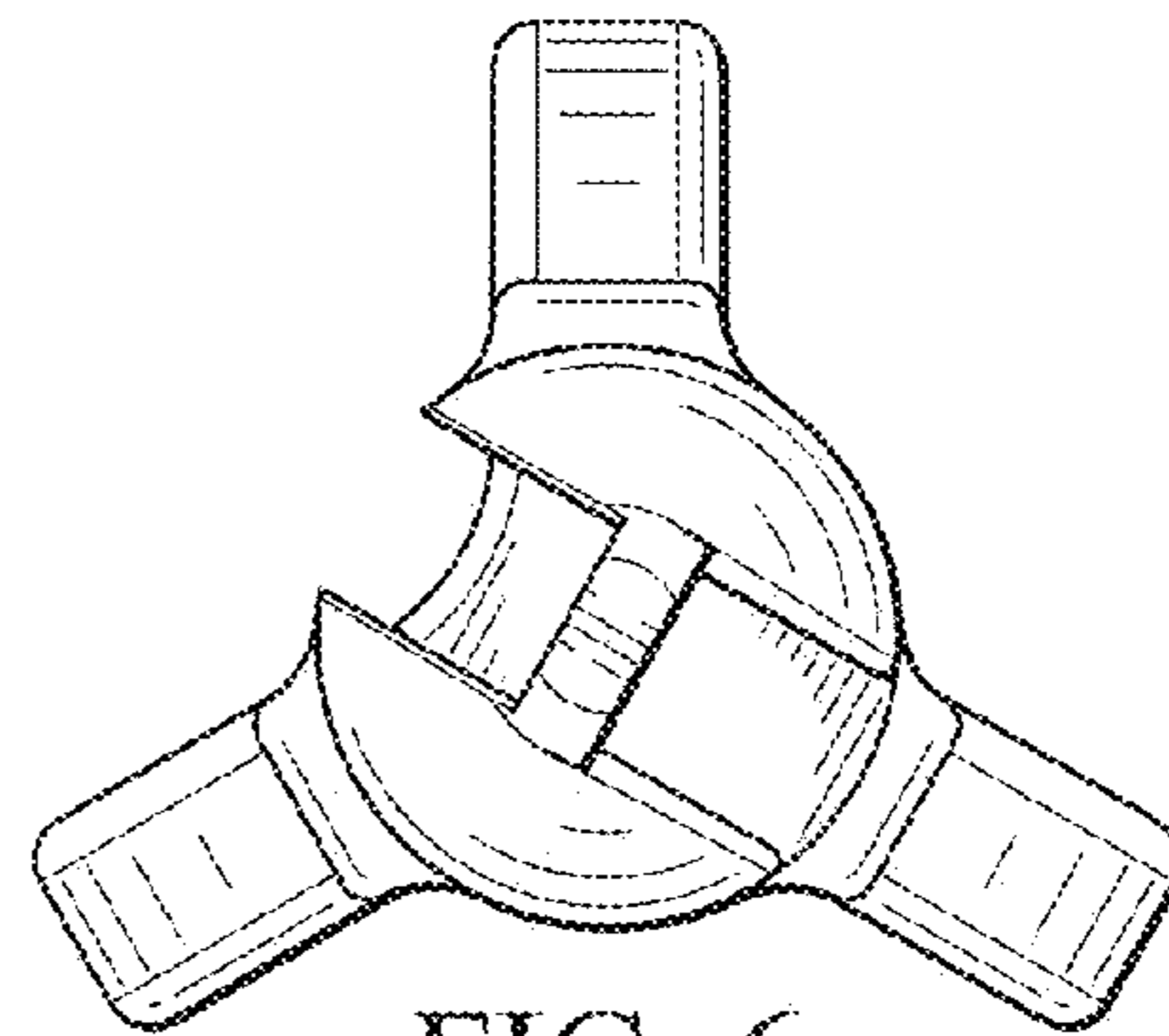


FIG. 6

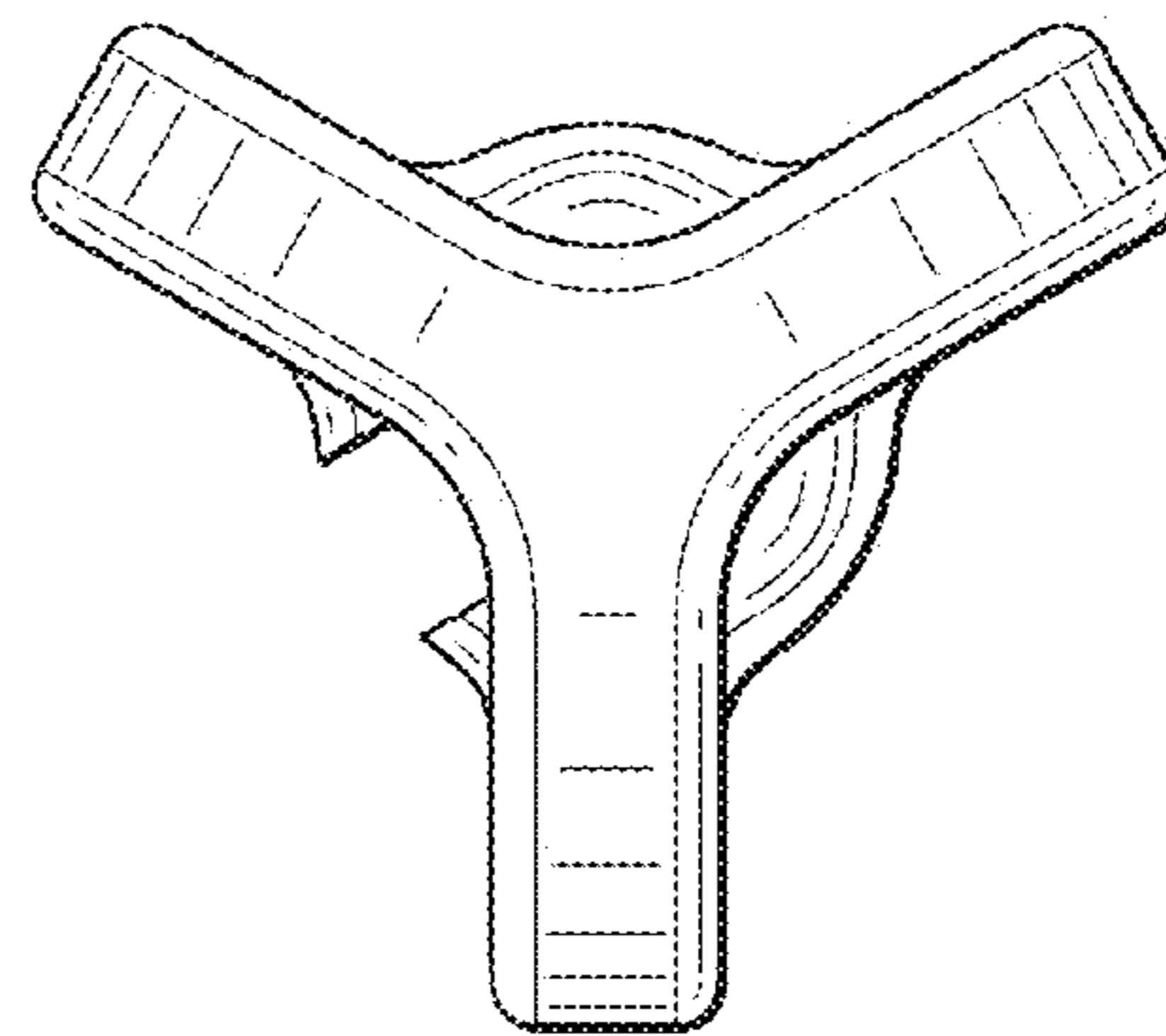


FIG. 7

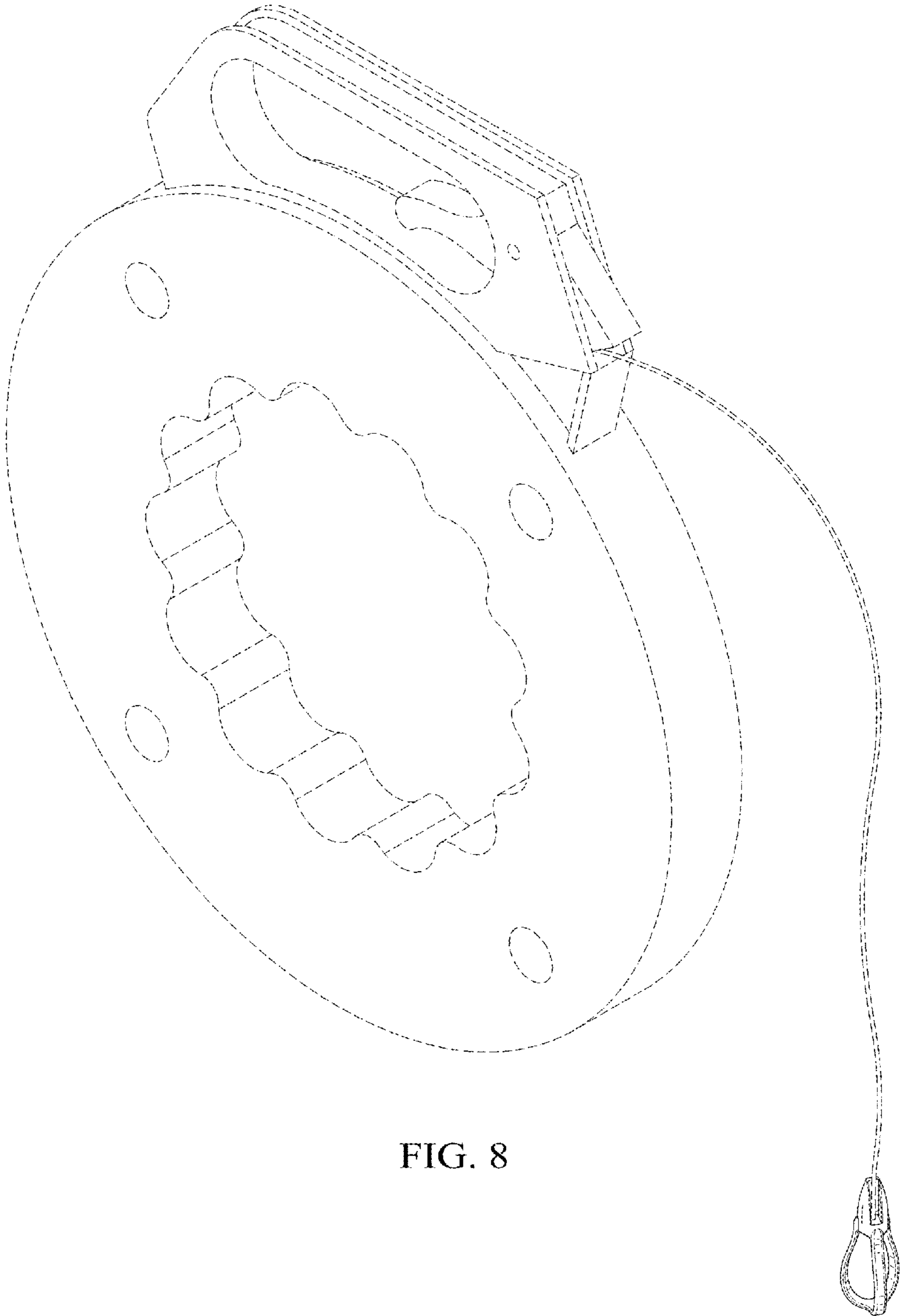


FIG. 8