



US00D715166S

(12) **United States Design Patent**
Rhodes

(10) **Patent No.:** **US D715,166 S**
(45) **Date of Patent:** **** Oct. 14, 2014**

(54) **THERMOSTAT**

(71) Applicant: **Emerson Electric Co.**, St. Louis, MO (US)

(72) Inventor: **William D. Rhodes**, Red Bud, IL (US)

(73) Assignee: **Emerson Electric Co.**, St. Louis, MO (US)

(**) Term: **14 Years**

(21) Appl. No.: **29/485,289**

(22) Filed: **Mar. 18, 2014**

(51) **LOC (10) Cl.** **10-04**

(52) **U.S. Cl.**
USPC **D10/50**

(58) **Field of Classification Search**
USPC D10/49-50, 103; D13/162; 55/279, 55/DIG. 7; 62/176.6, 125-130, 78, 180, 62/186; 73/23.2, 23.34, 31.01, 31.02, 431, 73/170.16-170.19, 170.21-170.25, 73/863.12, 29.02, 335.01-335.14; 220/3.2; 236/46 R, 47, 94, 44 C, 44 R, 236/49.3, 44 A, 96, 1 B, 1 C, 1 E, 1 EA, 1 EB, 236/1 F, 1 G, 1 H, 9 R; 337/112, 327, 360; 340/602, 627, 632, 634; 349/56-72; 454/229, 239, 256, 257, 258; 700/18, 700/159, 181, 276, 277, 278

See application file for complete search history.

D541,184 S 4/2007 Barton et al.
D542,677 S 5/2007 Barton et al.
D551,577 S 9/2007 Barton et al.
D556,608 S 12/2007 Rhodes
D556,609 S 12/2007 Rhodes
D571,675 S 6/2008 Skaf et al.
D578,026 S 10/2008 Roher et al.
D580,801 S 11/2008 Takach et al.
D582,800 S 12/2008 Comerford et al.
D582,801 S 12/2008 Comerford et al.
D582,802 S 12/2008 Branson et al.
D582,803 S 12/2008 Comerford et al.
D590,730 S 4/2009 Simard et al.
D596,963 S 7/2009 Novotny et al.
D596,964 S 7/2009 Wang et al.
D646,185 S 10/2011 Edgar
D646,186 S 10/2011 Edgar
D646,187 S * 10/2011 Edgar D10/50
8,139,177 B2 * 3/2012 Nishizawa 349/58
D659,560 S 5/2012 Rhodes
D660,732 S 5/2012 Bould et al.
8,253,882 B2 * 8/2012 Kikuchi 349/58
D666,508 S 9/2012 Beland et al.
D666,509 S * 9/2012 Beland et al. D10/50
D666,510 S 9/2012 Beland et al.
D672,666 S 12/2012 Rhodes et al.
D673,467 S * 1/2013 Lee et al. D10/50
D678,084 S * 3/2013 Beland et al. D10/50

OTHER PUBLICATIONS

Big Display Smart Energy Thermostat; www.computime.com; © 2012; 1 pg.

* cited by examiner

Primary Examiner — Antoine D Davis
(74) *Attorney, Agent, or Firm* — Harness, Dickey & Pierce, P.L.C.

(56) **References Cited**
U.S. PATENT DOCUMENTS

D386,986 S 12/1997 Gee, II
D386,987 S 12/1997 Gee, II
D386,988 S 12/1997 Gee, II
D386,989 S 12/1997 Gee, II
D386,990 S 12/1997 Gee, II
D425,801 S 5/2000 Brechbill et al.
D425,802 S 5/2000 Brechbill et al.
D429,169 S 8/2000 Ohlwine et al.
D489,010 S 4/2004 Stauffer
D496,869 S 10/2004 Campbell
D535,573 S 1/2007 Barton et al.

(57) **CLAIM**
The ornamental design for thermostat, as shown and described.

DESCRIPTION

FIG. 1 is a perspective view of a first embodiment of a thermostat, showing my new design;
FIG. 2 is a front view of the thermostat shown in FIG. 1;
FIG. 3 is a top view of the thermostat shown in FIG. 1;

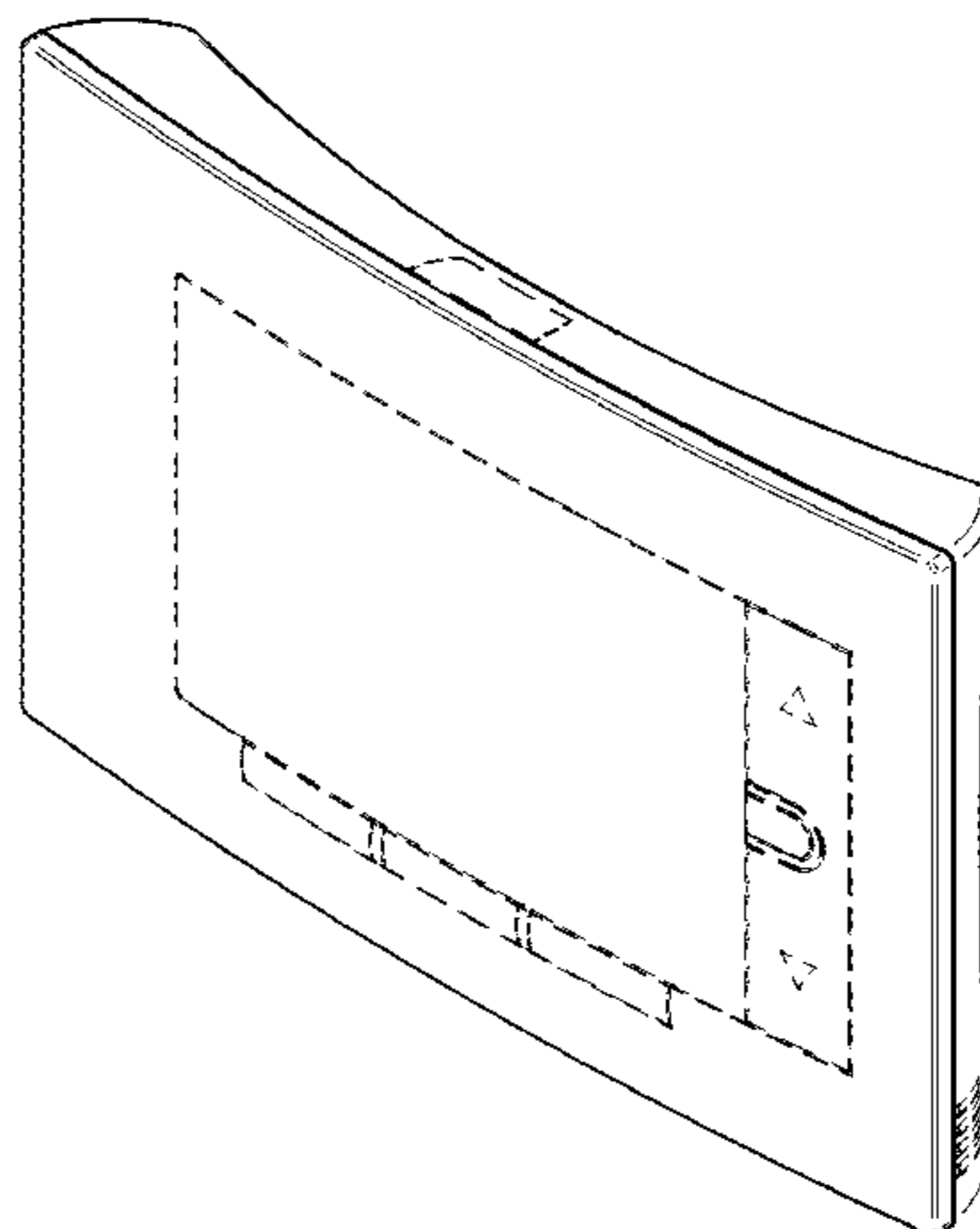


FIG. 4 is a bottom view of the thermostat shown in FIG. 1;
FIG. 5 is a left side view of the thermostat shown in FIG. 1;
FIG. 6 is a right side view of the thermostat shown in FIG. 1;
FIG. 7 is a perspective view of a second embodiment of a thermostat, showing my new design;
FIG. 8 is a front view of the thermostat shown in FIG. 7;
FIG. 9 is a top view of the thermostat shown in FIG. 7;
FIG. 10 is a bottom view of the thermostat shown in FIG. 7;
FIG. 11 is a left side view of the thermostat shown in FIG. 7;
FIG. 12 is a right side view of the thermostat shown in FIG. 7;
FIG. 13 is a perspective view of a third embodiment of a thermostat, showing my new design;
FIG. 14 is a front view of the thermostat shown in FIG. 13;
FIG. 15 is a top view of the thermostat shown in FIG. 13;
FIG. 16 is a bottom view of the thermostat shown in FIG. 13;
FIG. 17 is a left side view of the thermostat shown in FIG. 13;
FIG. 18 is a right side view of the thermostat shown in FIG. 13;
FIG. 19 is a perspective view of a fourth embodiment of a thermostat, showing my new design;
FIG. 20 is a front view of the thermostat shown in FIG. 19;
FIG. 21 is a top view of the thermostat shown in FIG. 19;
FIG. 22 is a bottom view of the thermostat shown in FIG. 19;
FIG. 23 is a left side view of the thermostat shown in FIG. 19;
FIG. 24 is a right side view of the thermostat shown in FIG. 19;
FIG. 25 is a perspective view of a fourth embodiment of a thermostat, showing my new design;
FIG. 26 is a front view of the thermostat shown in FIG. 25;

FIG. 27 is a top view of the thermostat shown in FIG. 25;
FIG. 28 is a bottom view of the thermostat shown in FIG. 25;
FIG. 29 is a left side view of the thermostat shown in FIG. 25;
FIG. 30 is a right side view of the thermostat shown in FIG. 25;
FIG. 31 is a perspective view of a fifth embodiment of a thermostat, showing my new design;
FIG. 32 is a front view of the thermostat shown in FIG. 31;
FIG. 33 is a top view of the thermostat shown in FIG. 31;
FIG. 34 is a bottom view of the thermostat shown in FIG. 31;
FIG. 35 is a left side view of the thermostat shown in FIG. 31;
FIG. 36 is a right side view of the thermostat shown in FIG. 31;
FIG. 37 is a perspective view of a sixth embodiment of a thermostat, showing my new design;
FIG. 38 is a front view of the thermostat shown in FIG. 37;
FIG. 39 is a top view of the thermostat shown in FIG. 37;
FIG. 40 is a bottom view of the thermostat shown in FIG. 37;
FIG. 41 is a left side view of the thermostat shown in FIG. 37;
and,
FIG. 42 is a right side view of the thermostat shown in FIG. 37.
The details shown in broken lines in the illustrated embodiments depict environmental subject matter only in those embodiments and form no part of the design claimed with respect to those embodiments. Back views of the thermostats are not shown as the backs of the thermostats form no part of the designs claimed.

1 Claim, 42 Drawing Sheets

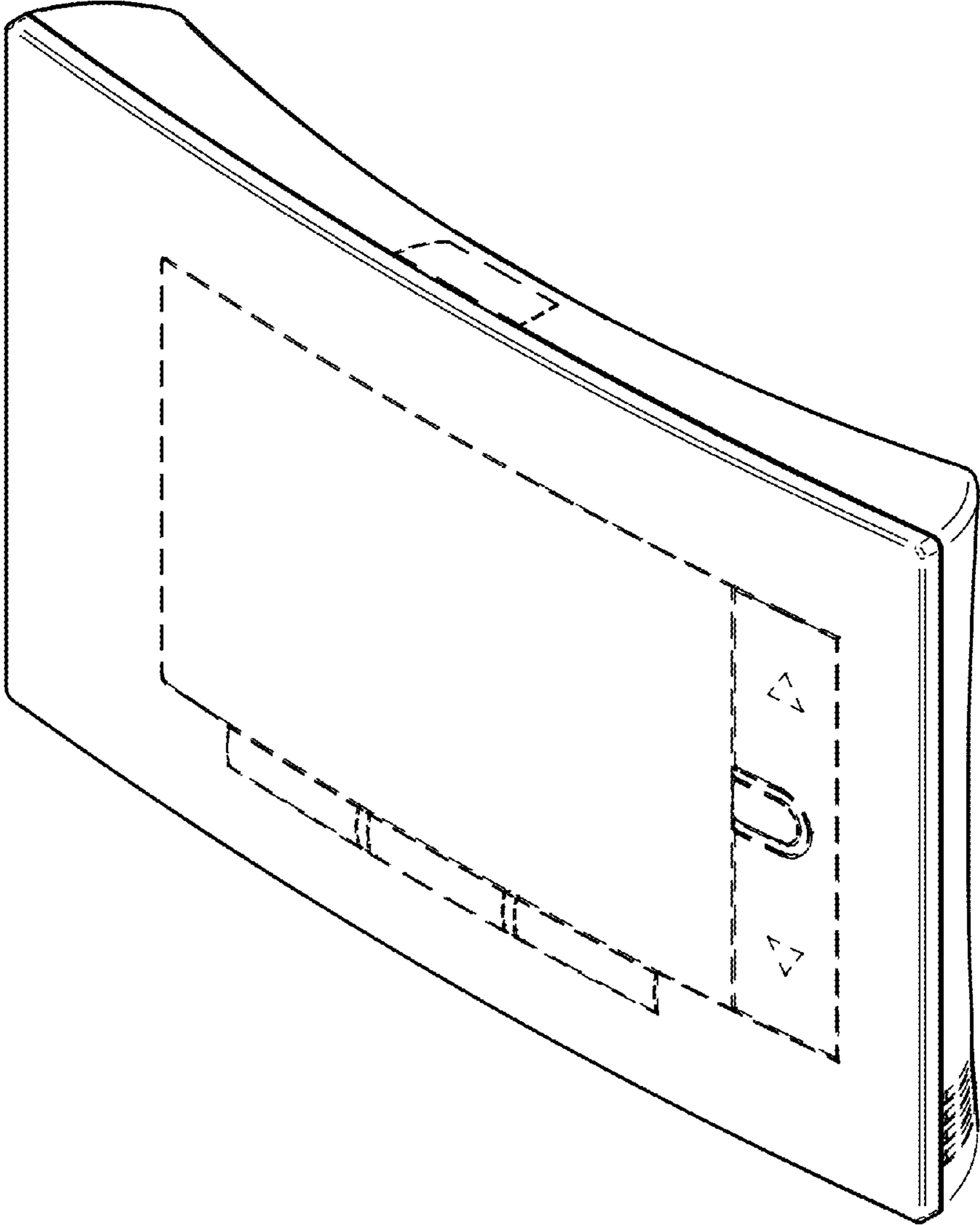


FIG. 1

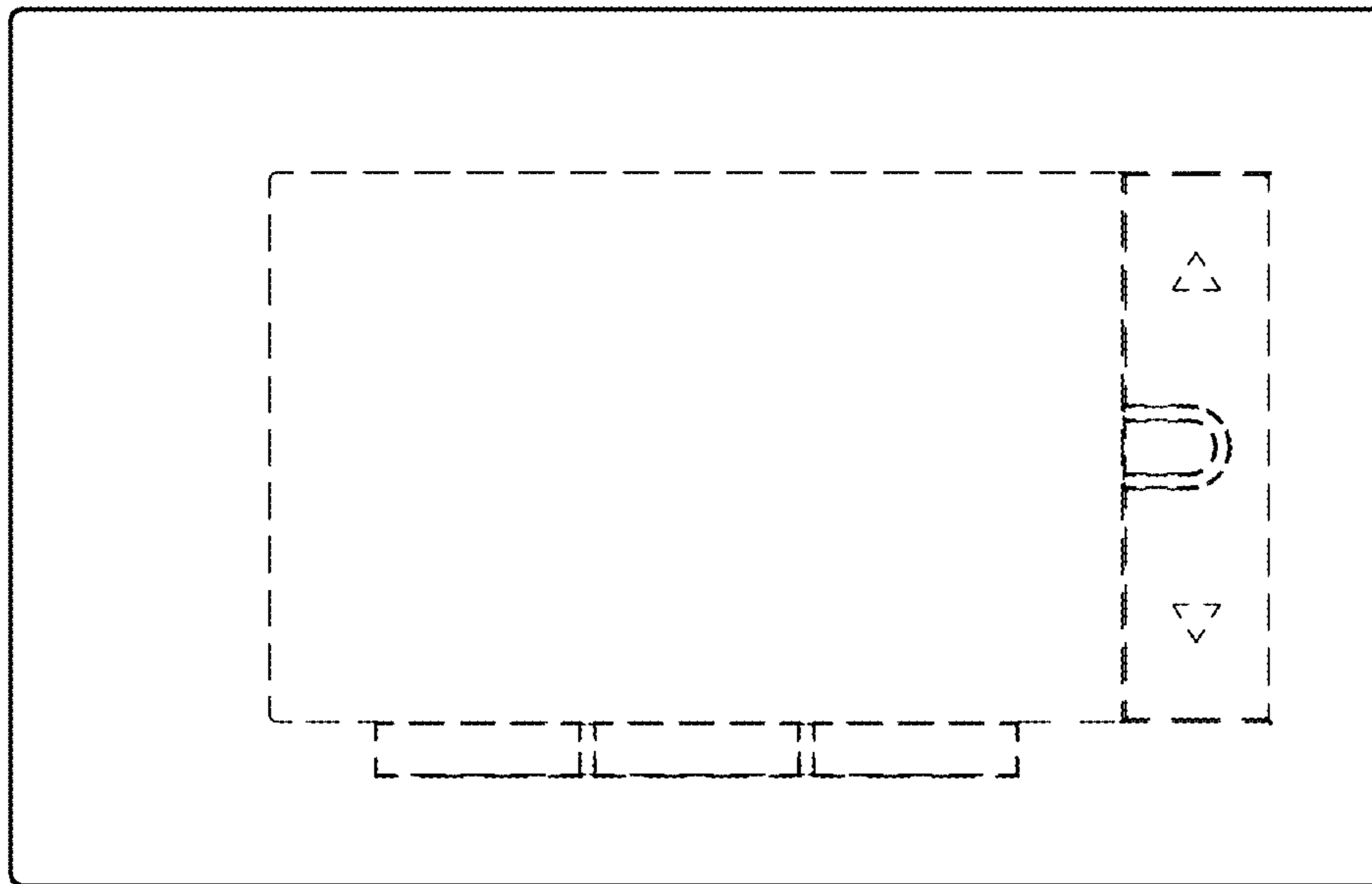


FIG. 2

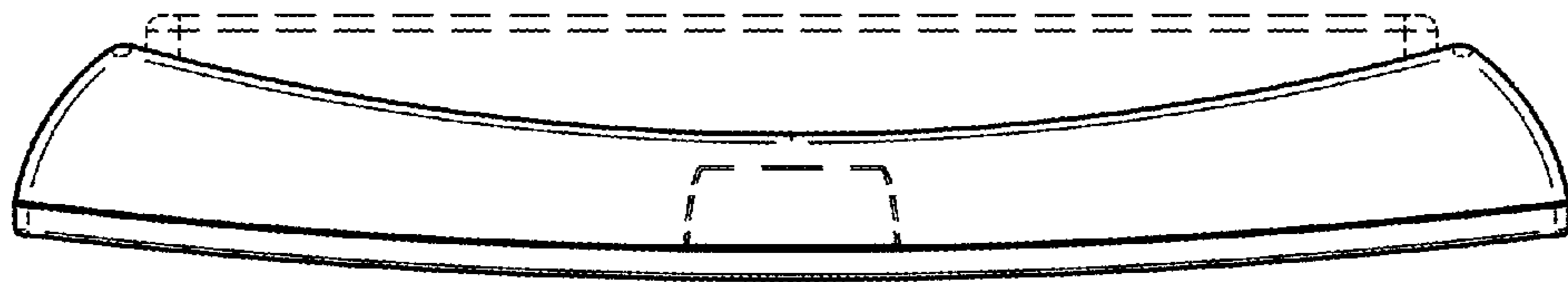


FIG. 3

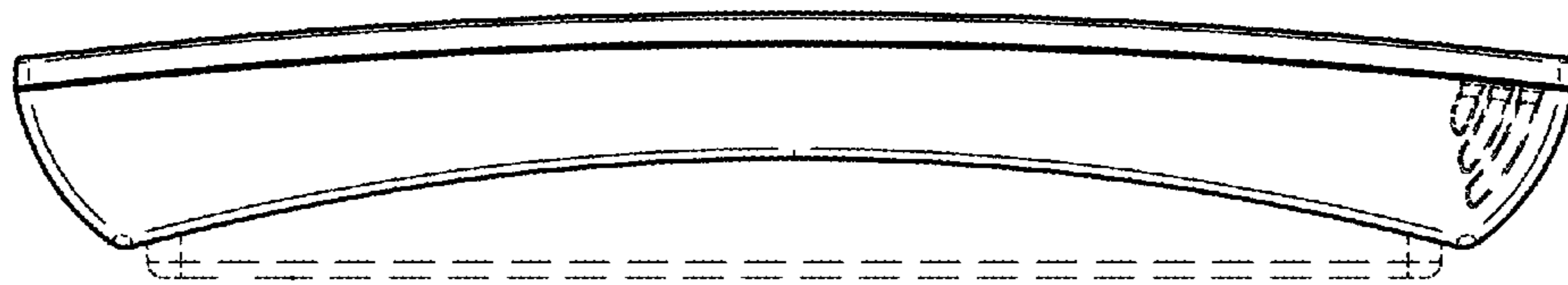


FIG. 4

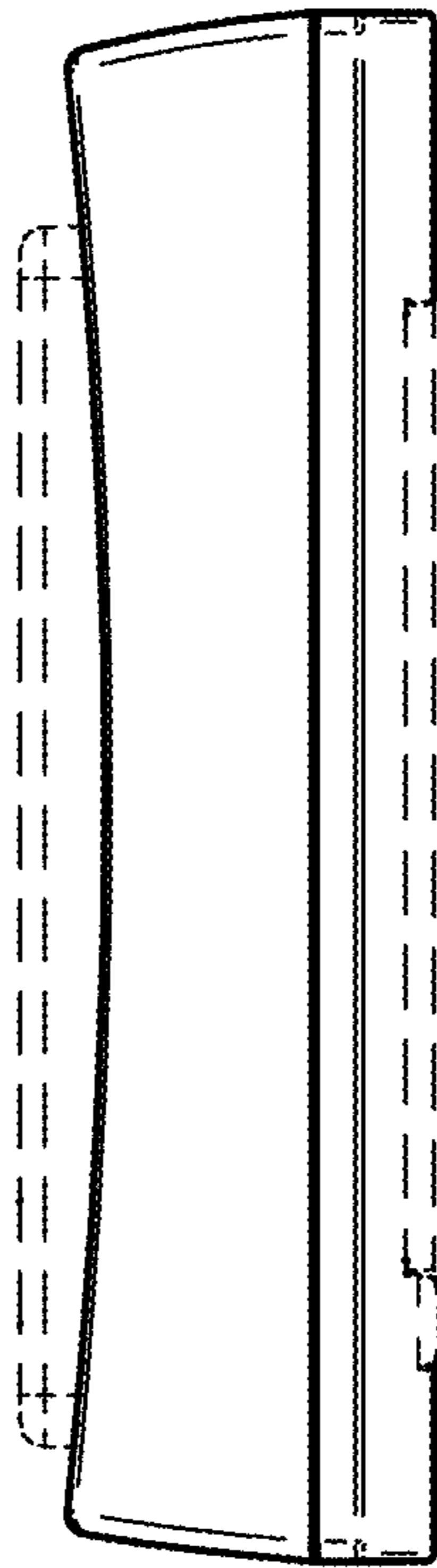


FIG. 5

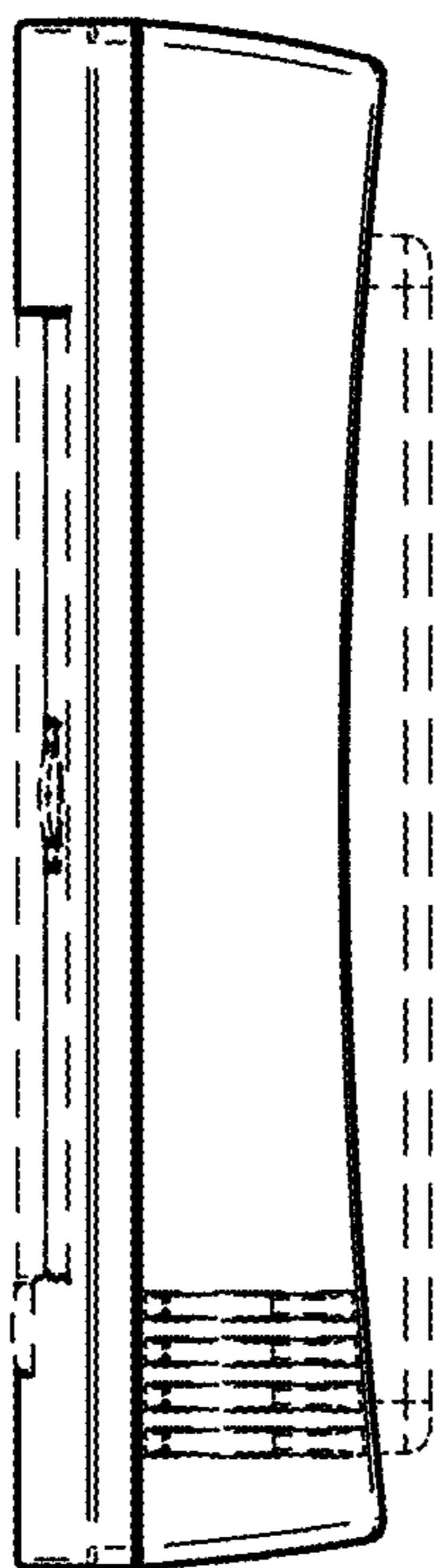


FIG. 6

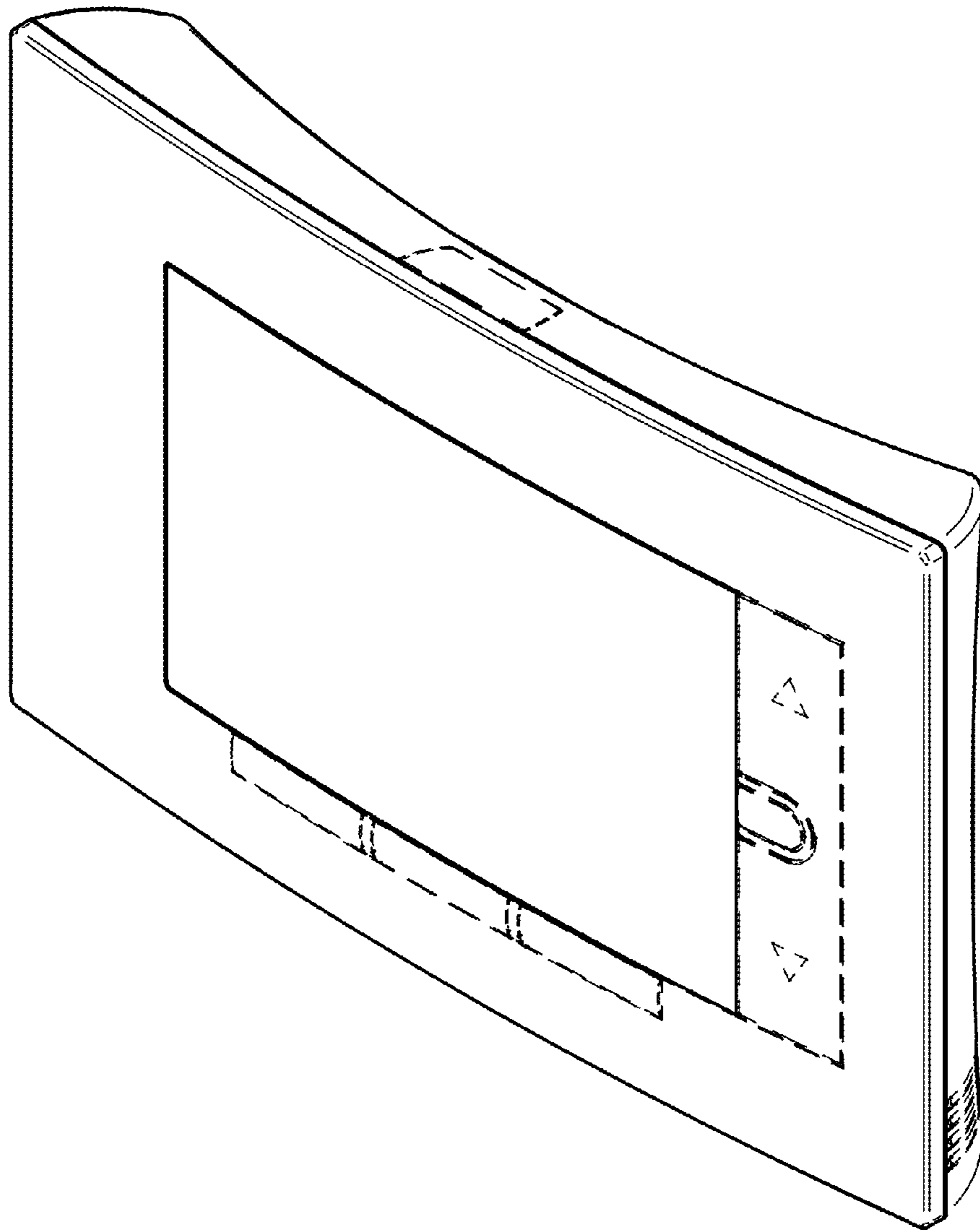


FIG. 7

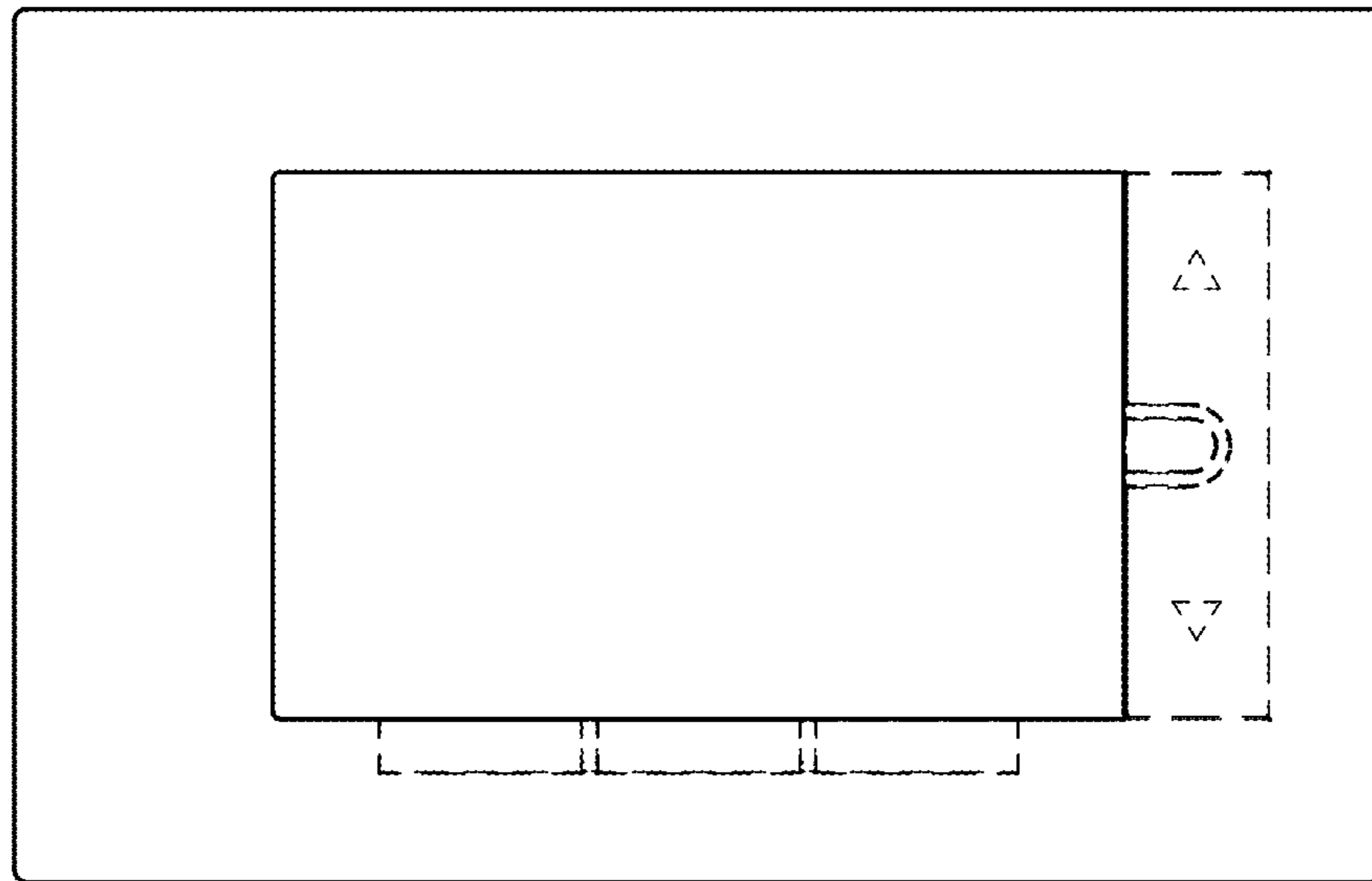


FIG. 8

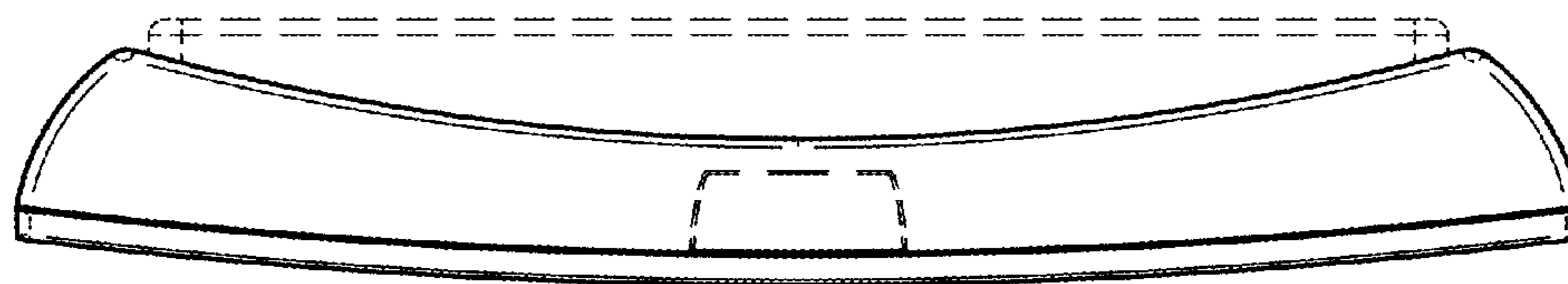


FIG. 9

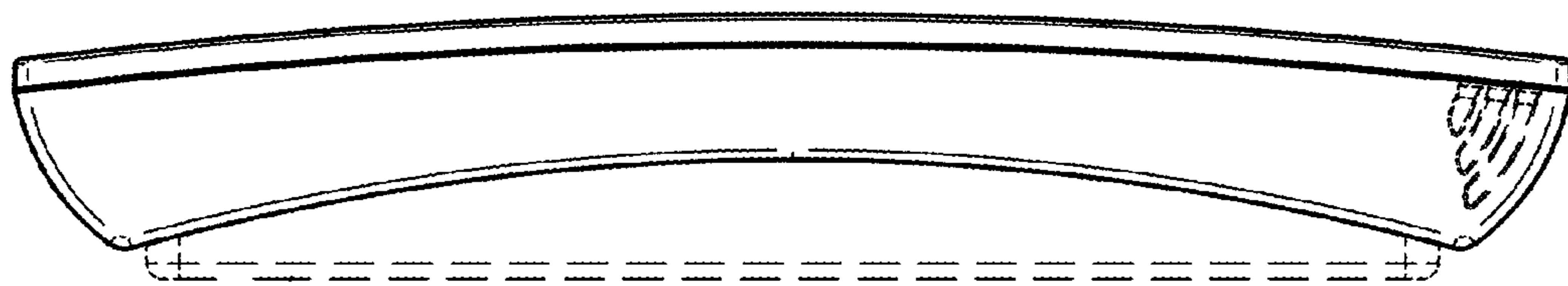


FIG. 10

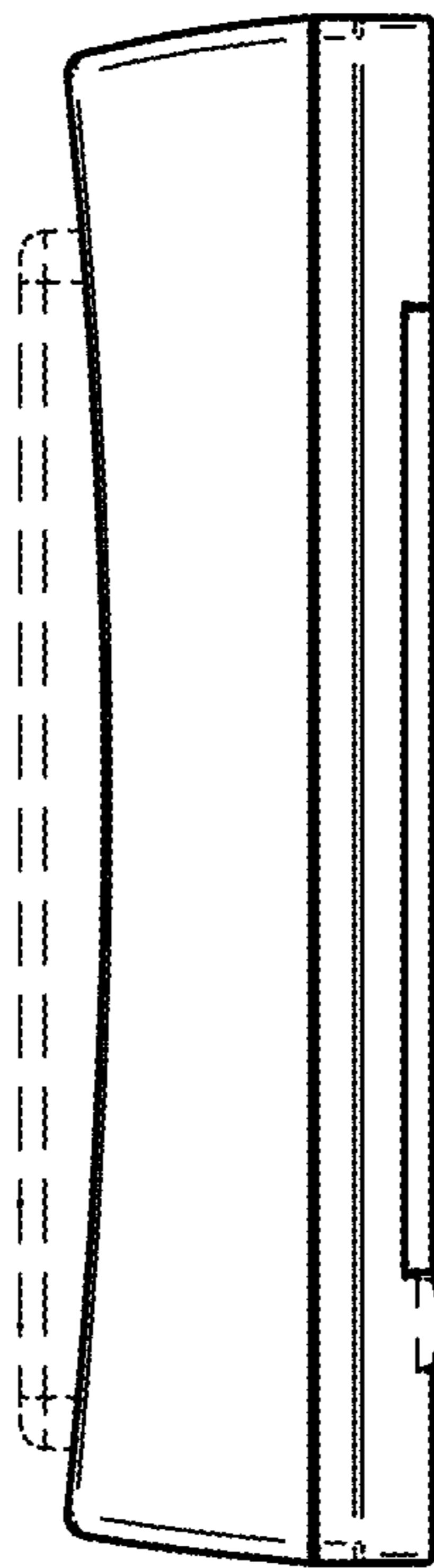


FIG. 11

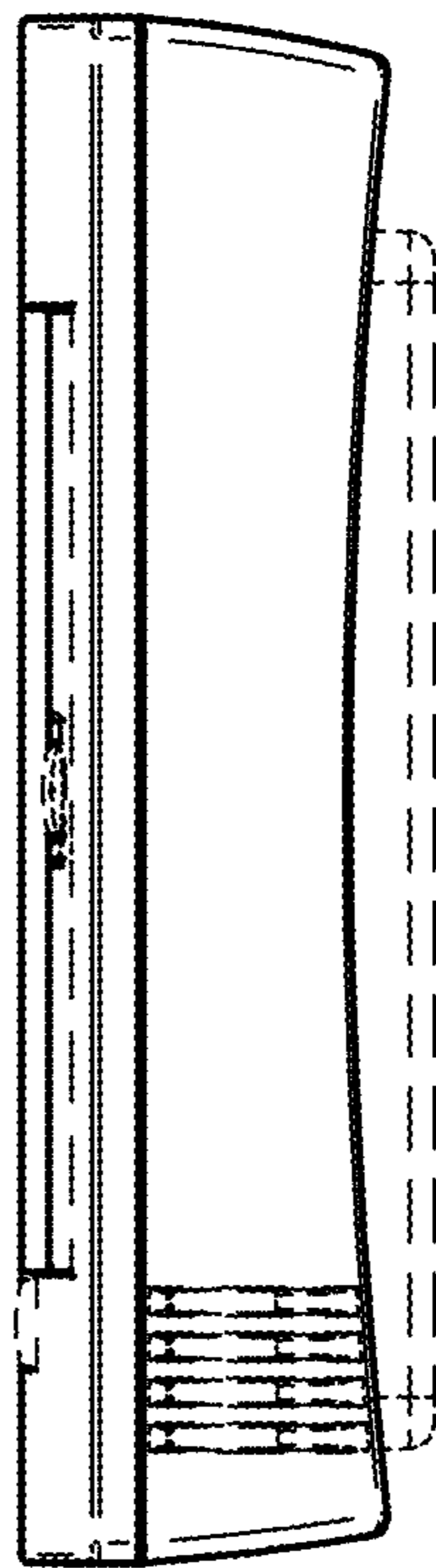


FIG. 12

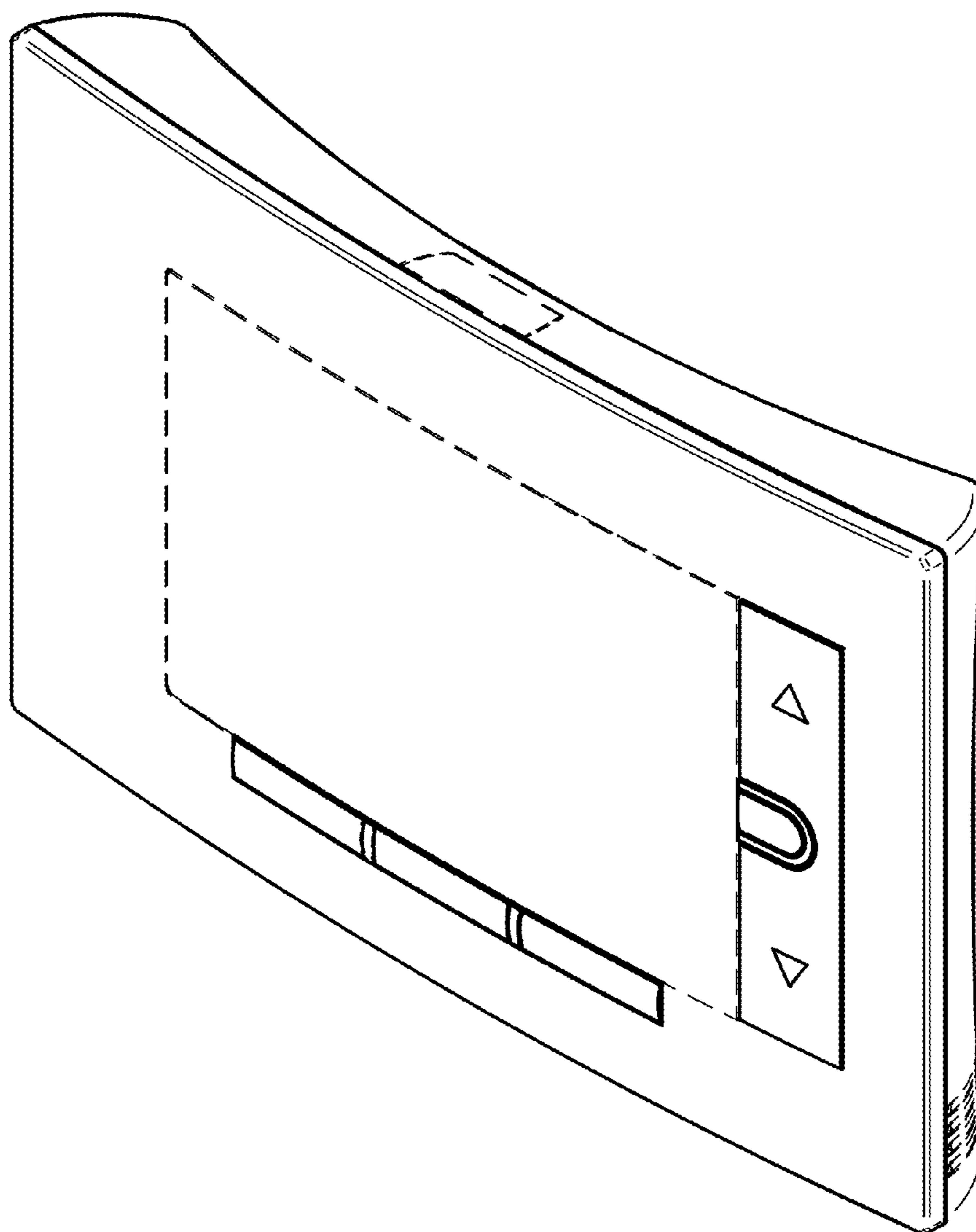


FIG. 13

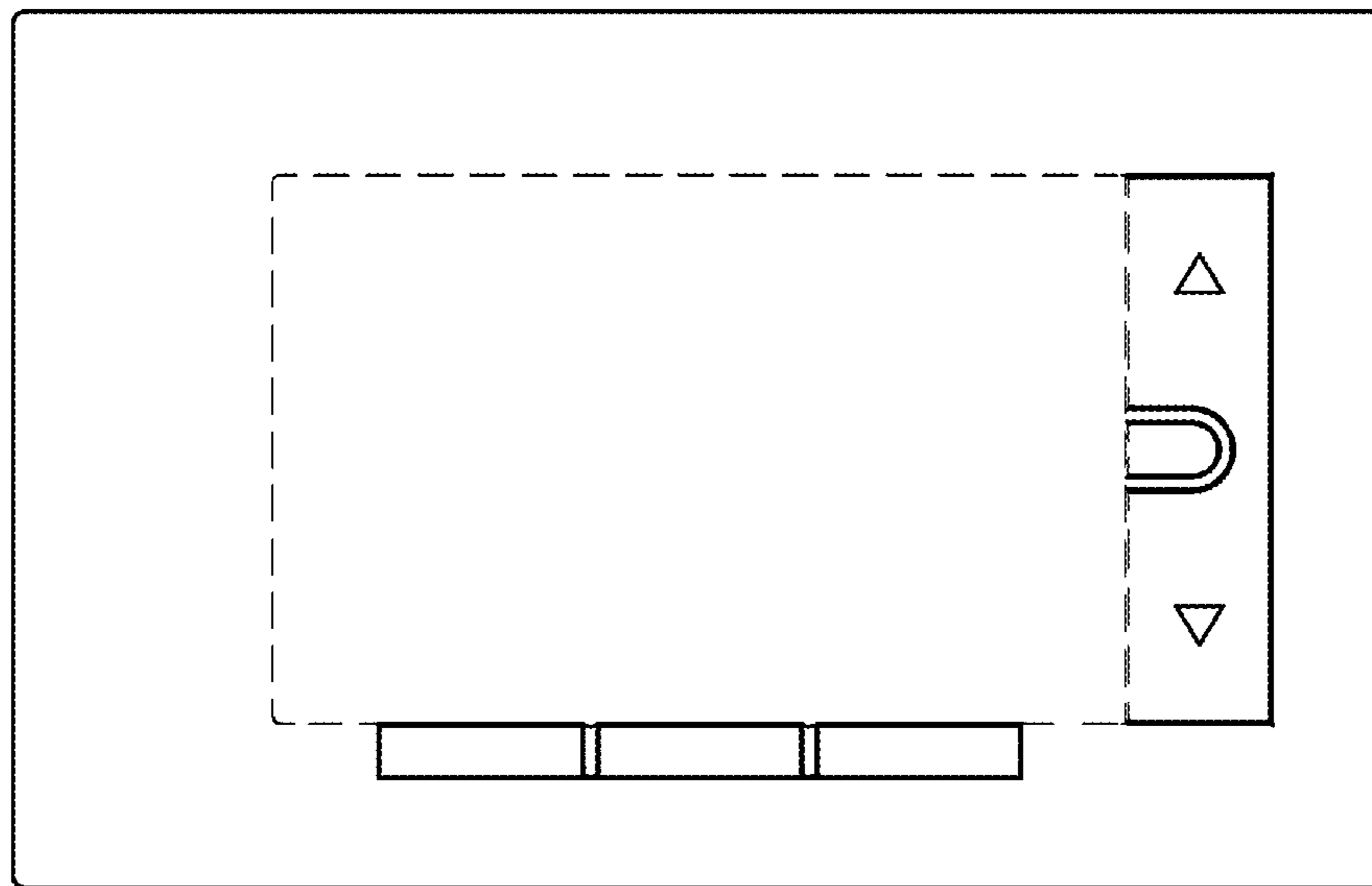


FIG. 14

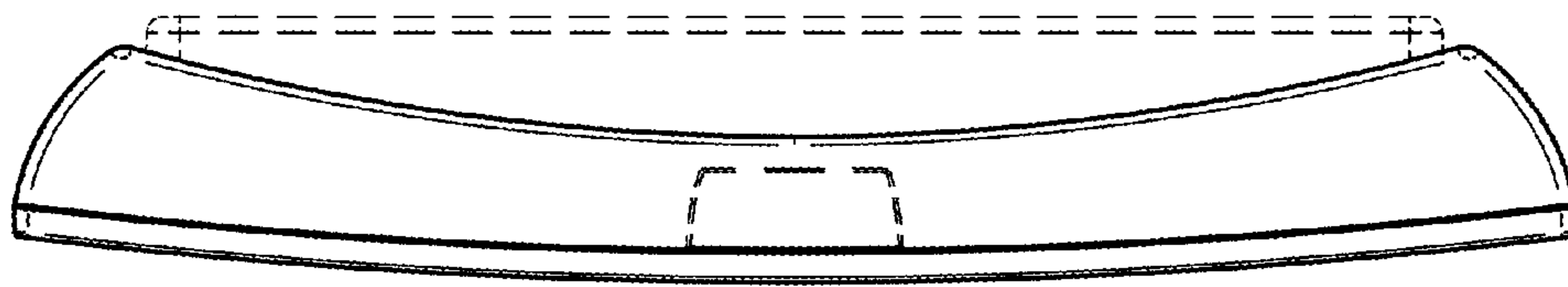


FIG. 15

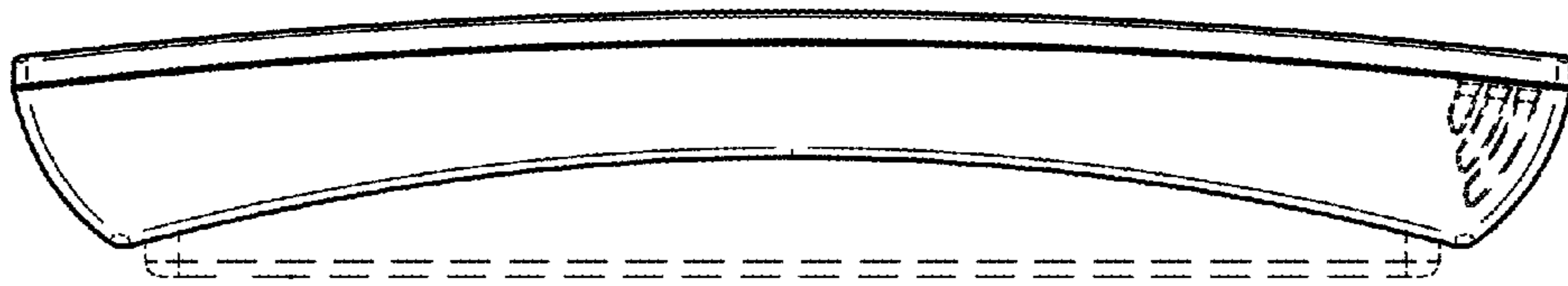


FIG. 16

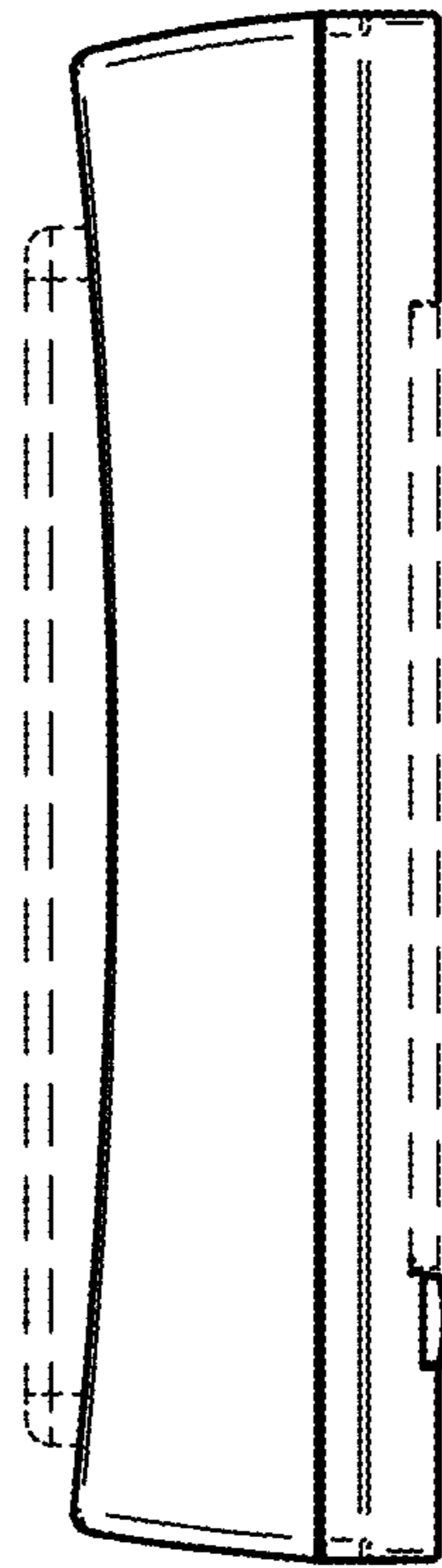


FIG. 17

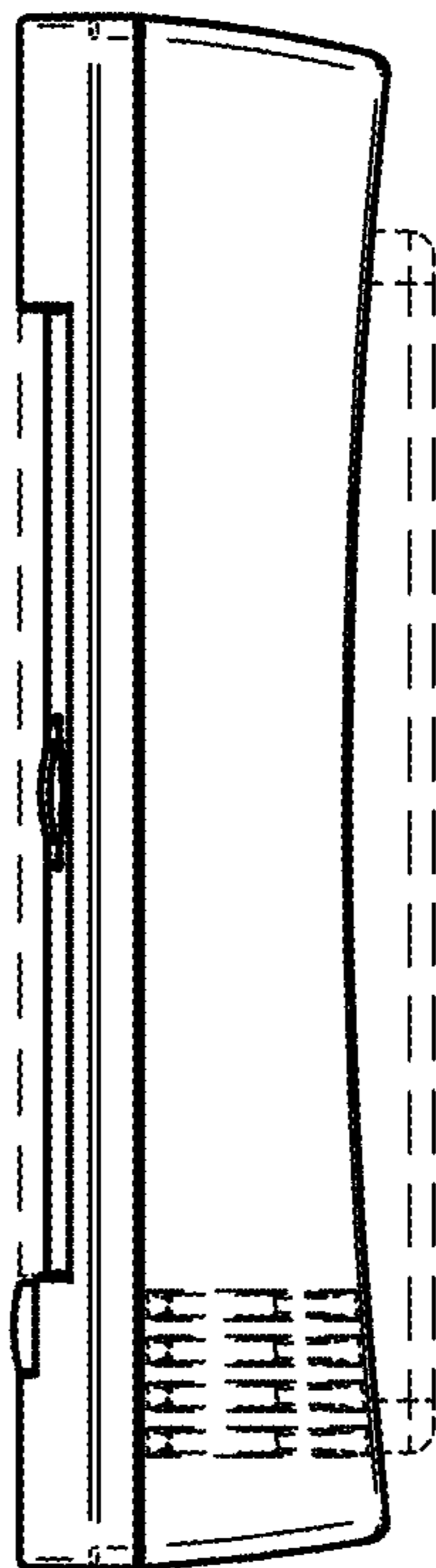


FIG. 18

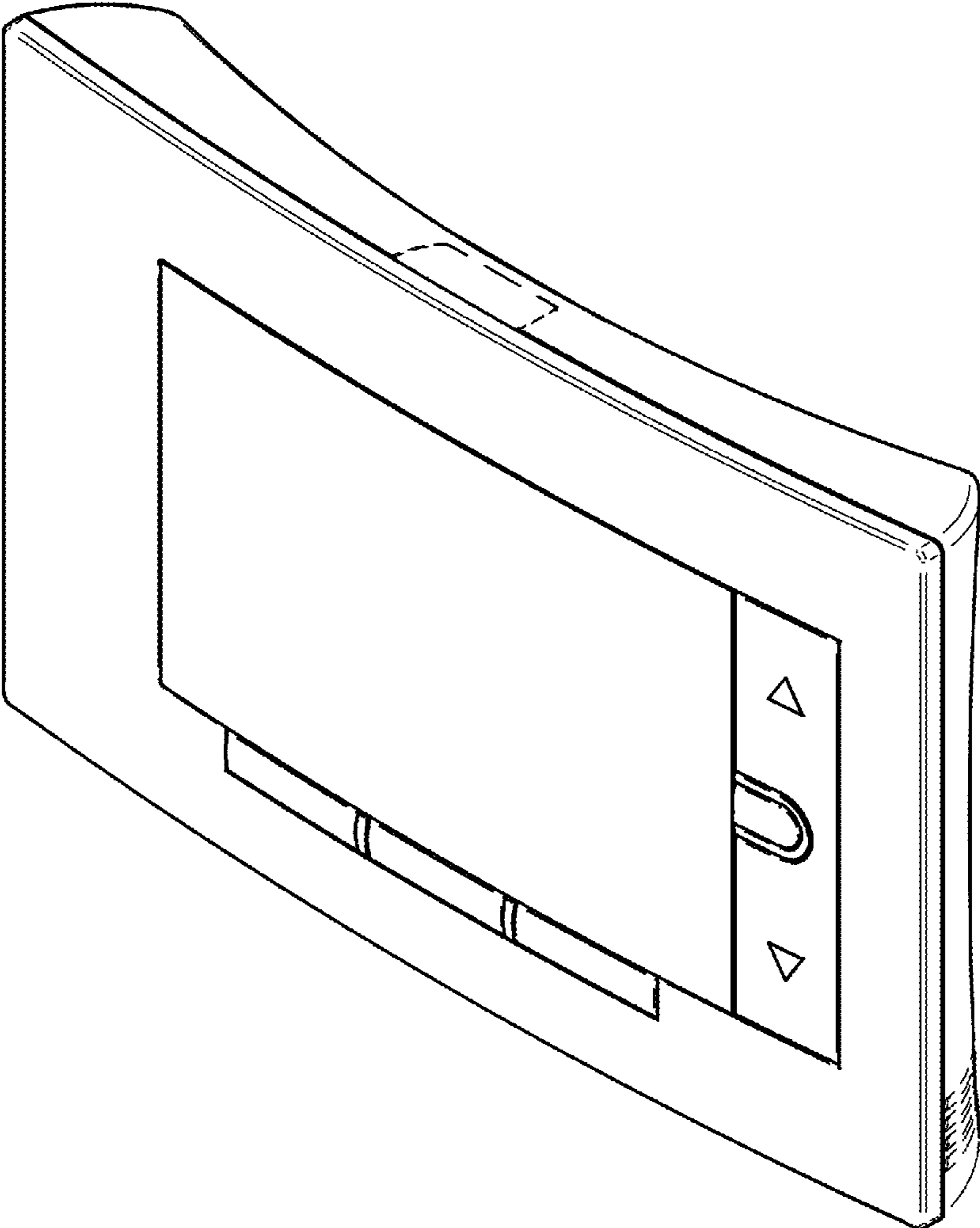


FIG. 19

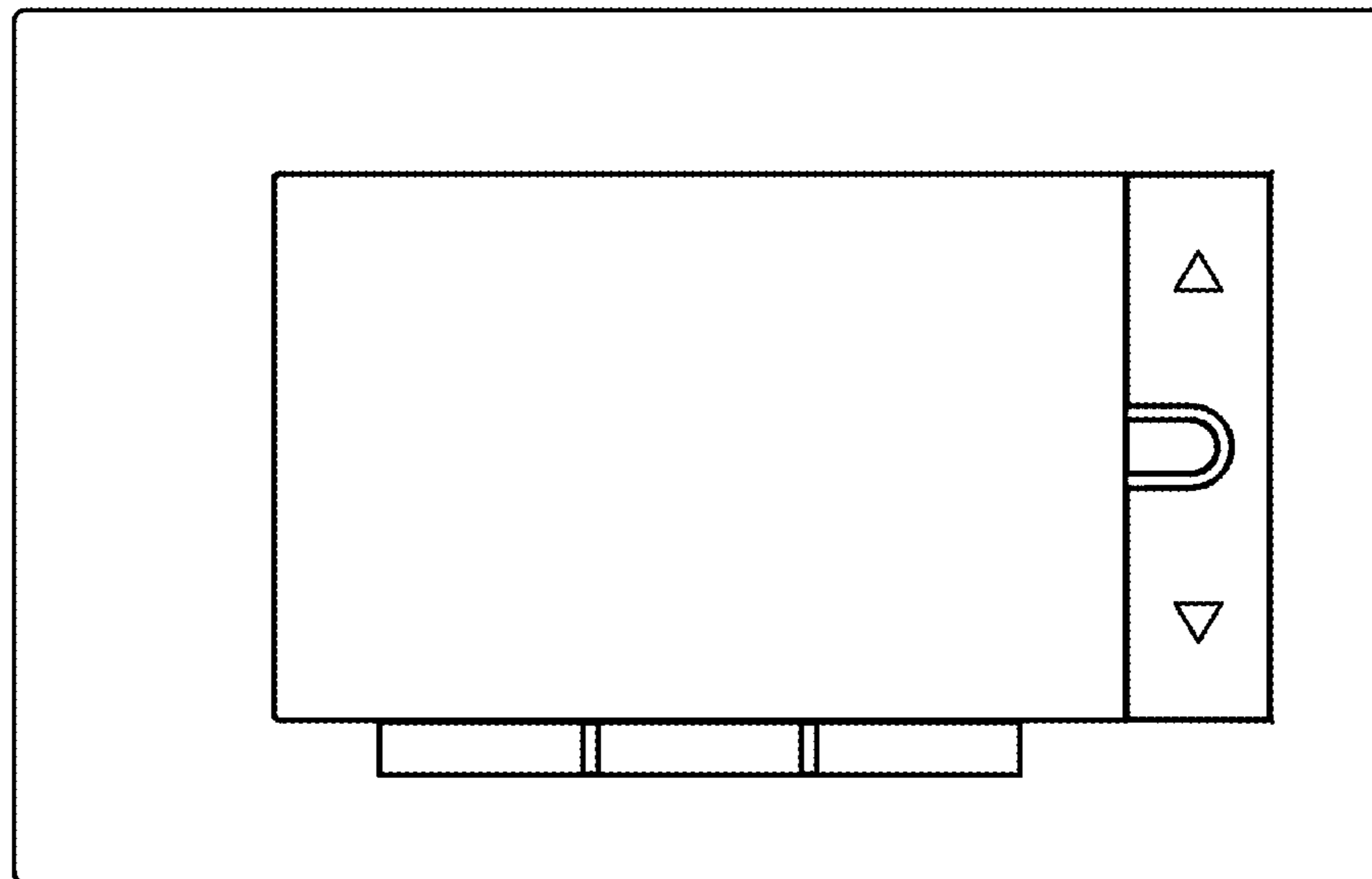


FIG. 20

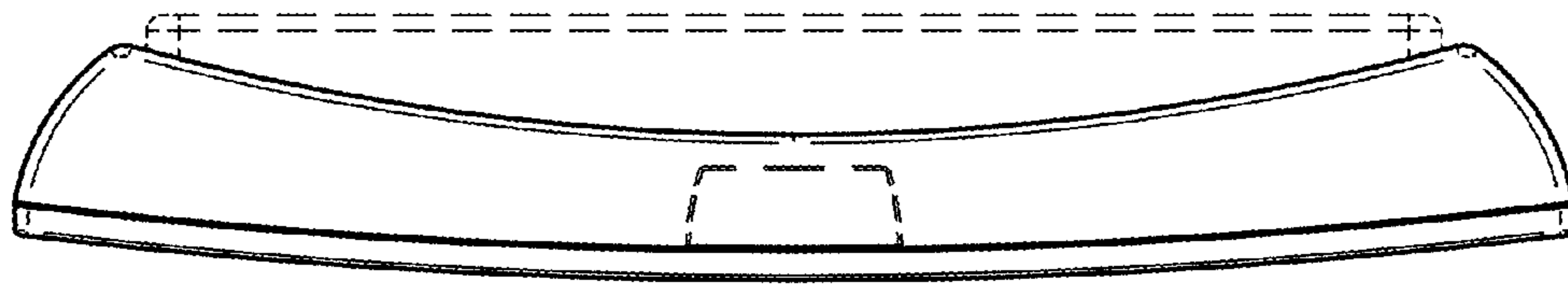


FIG. 21

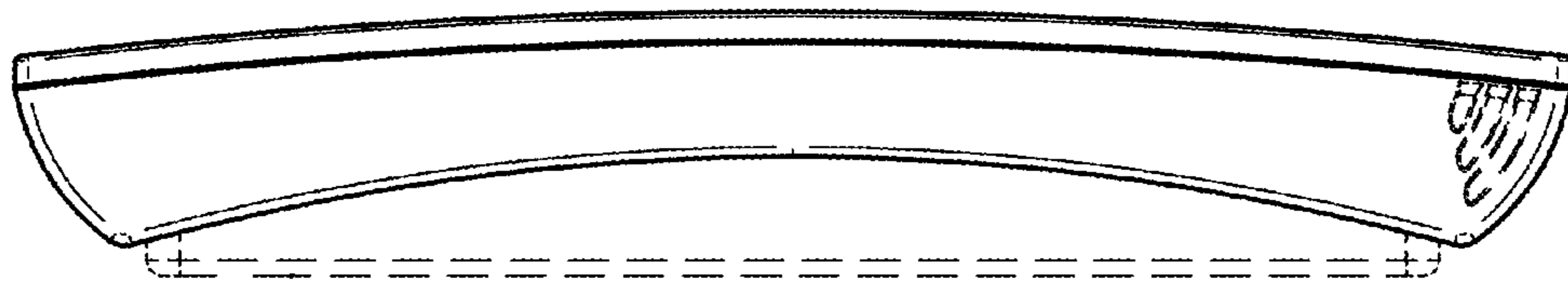


FIG. 22

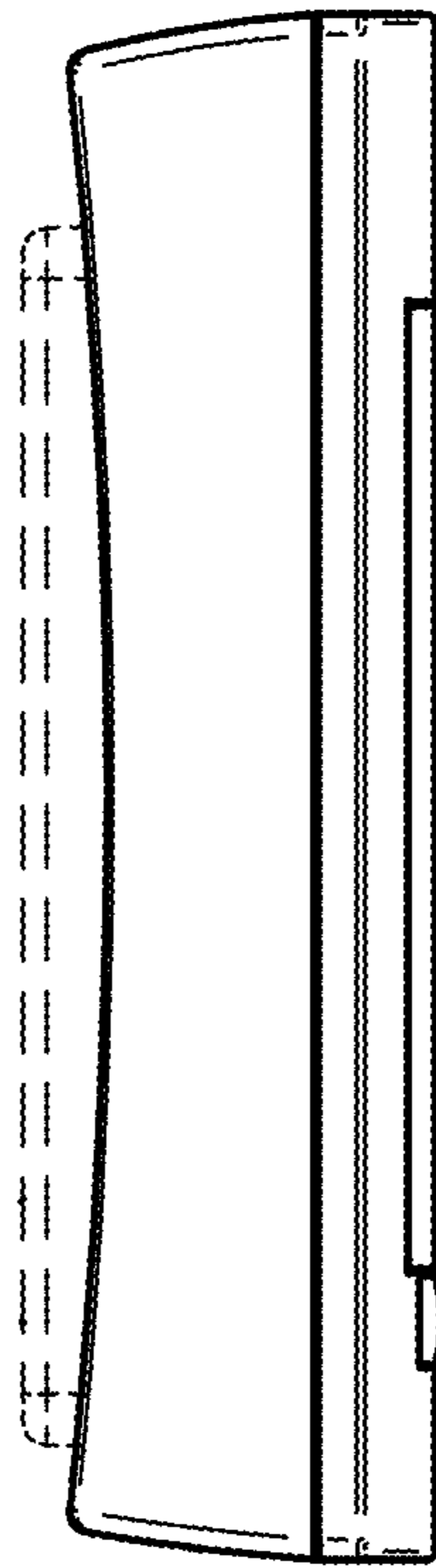


FIG. 23

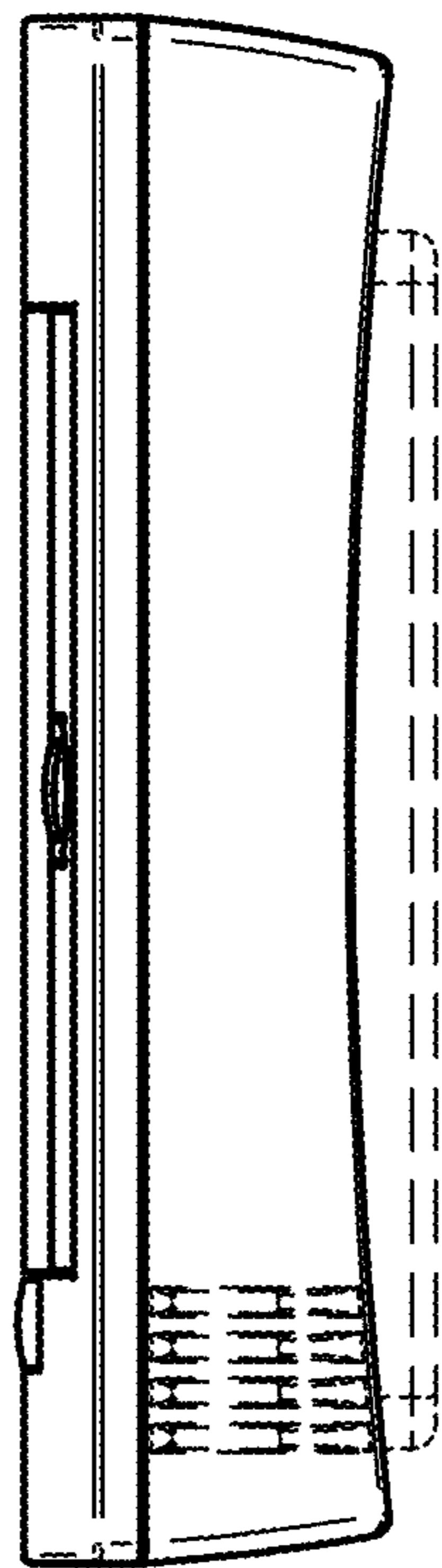


FIG. 24

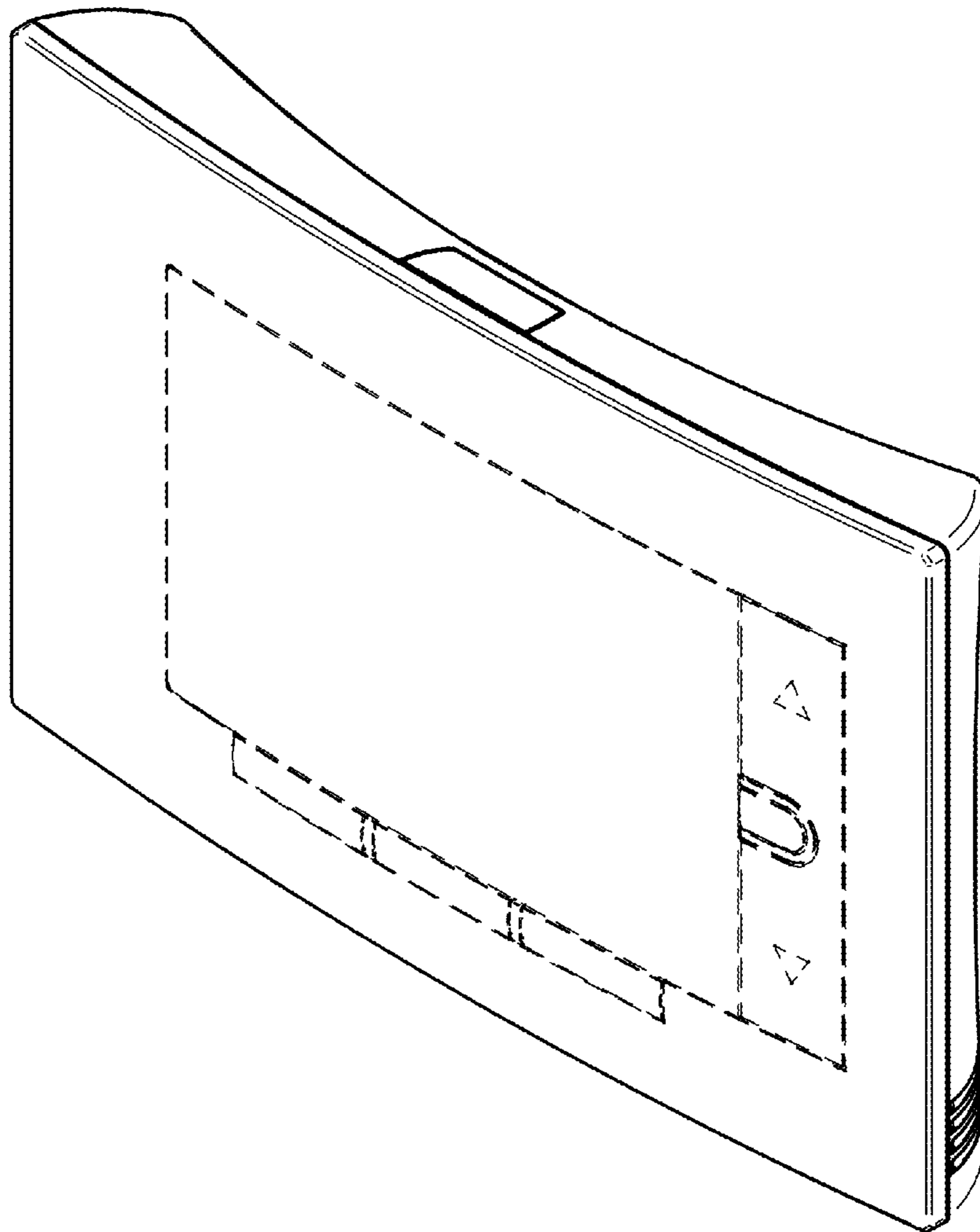


FIG. 25

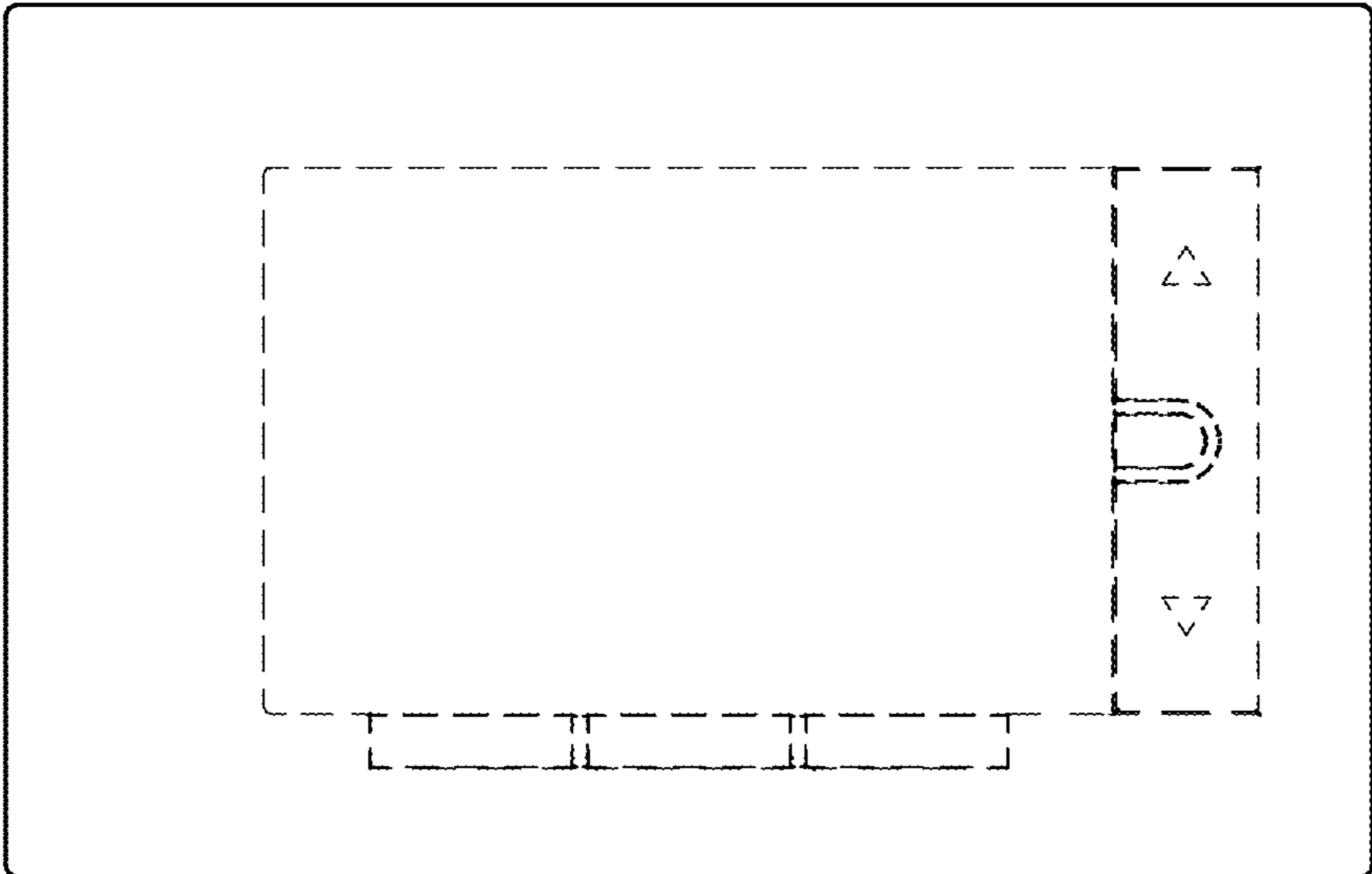


FIG. 26



FIG. 27

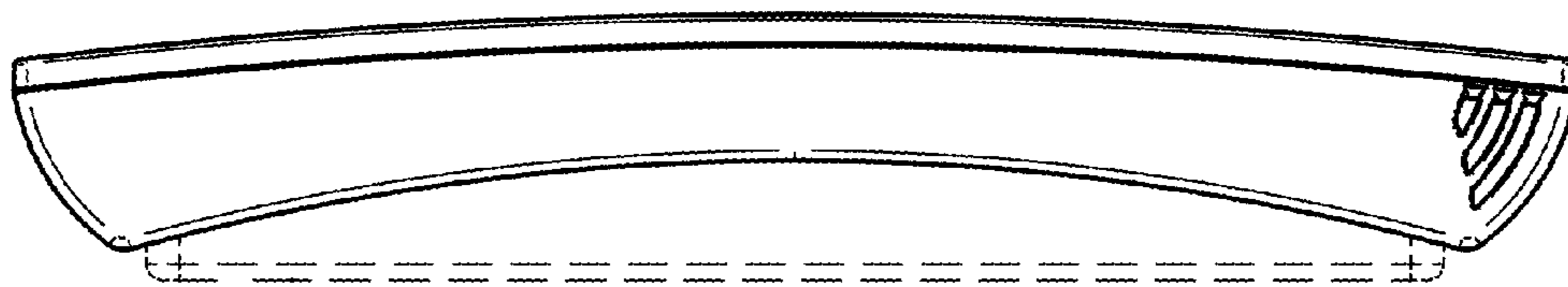


FIG. 28

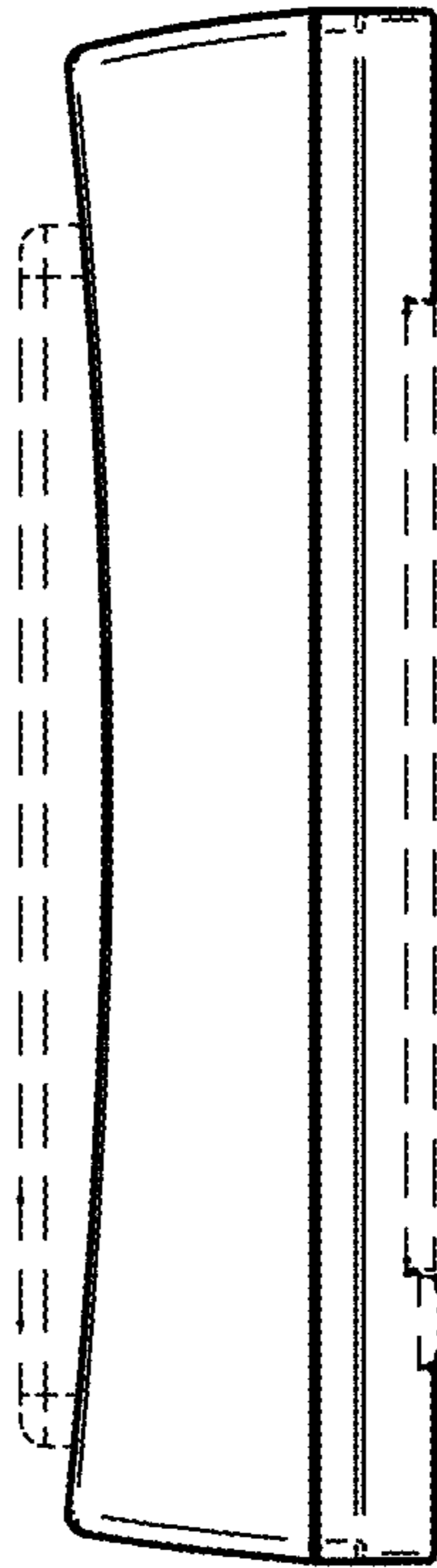


FIG. 29

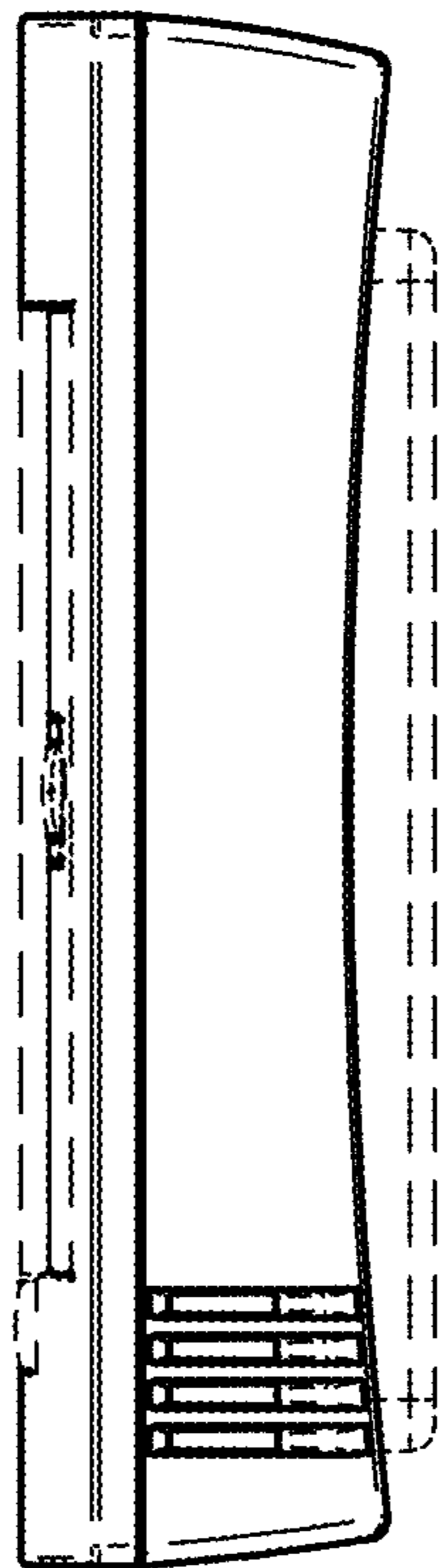


FIG. 30

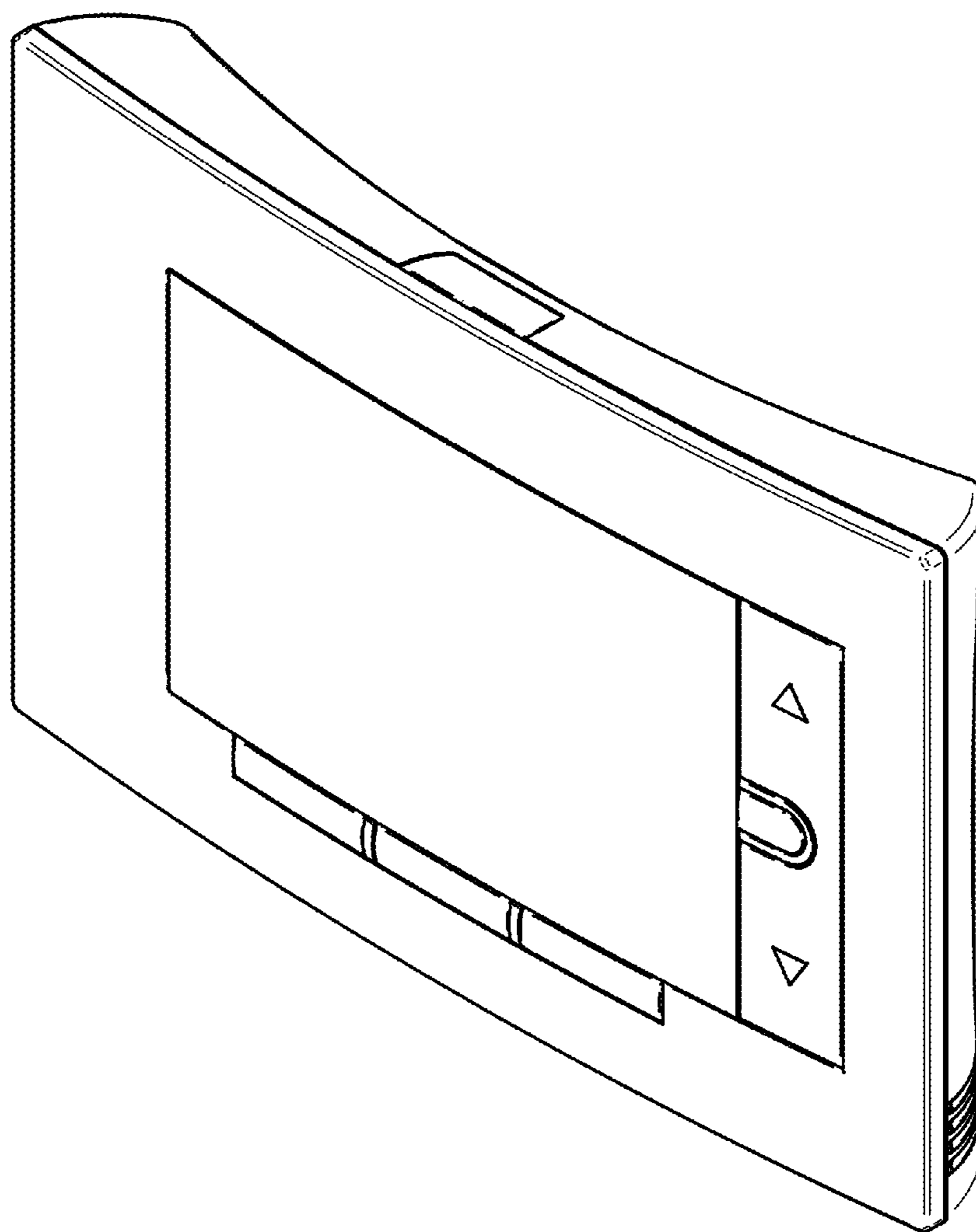


FIG. 31

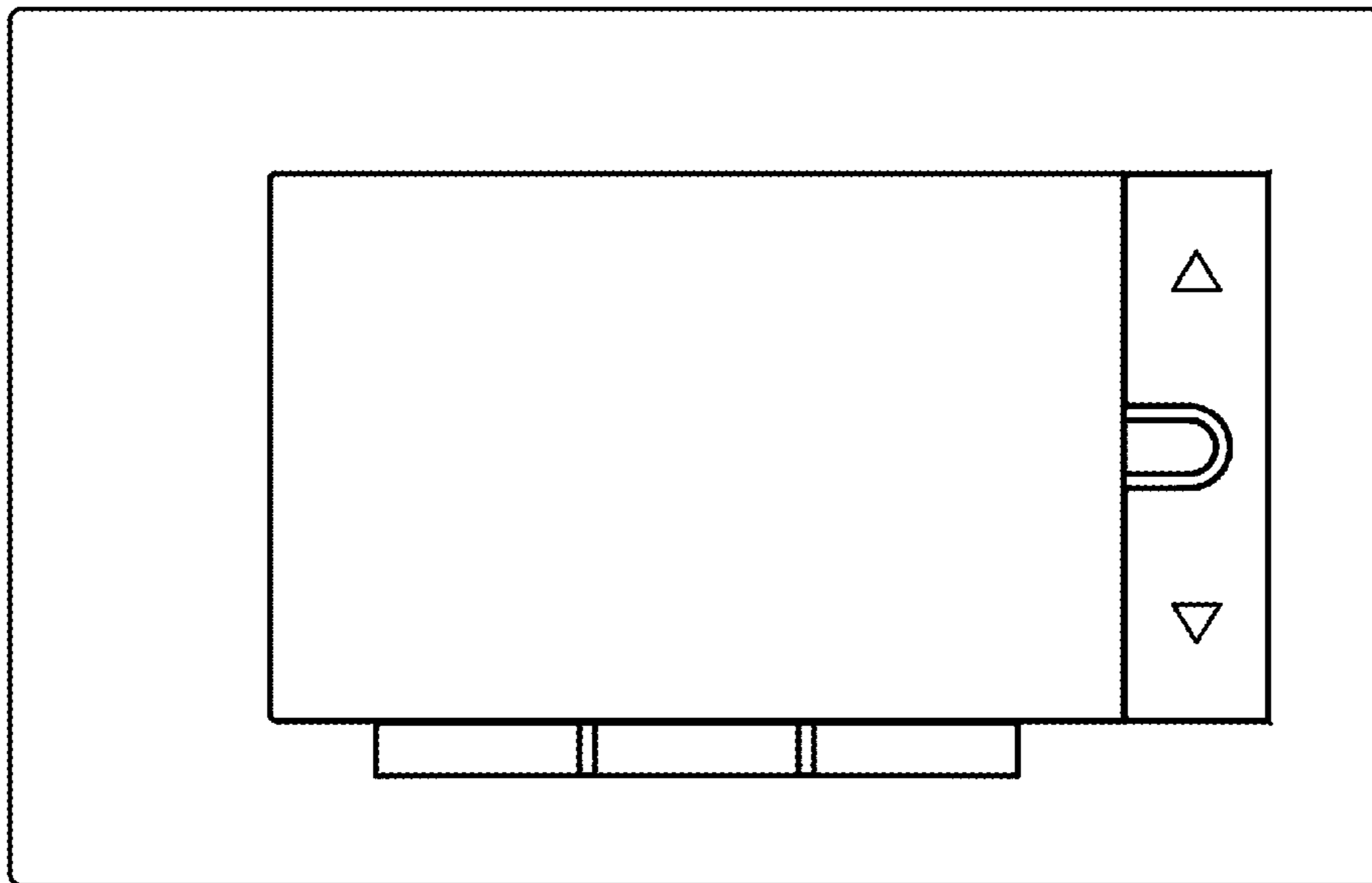


FIG. 32

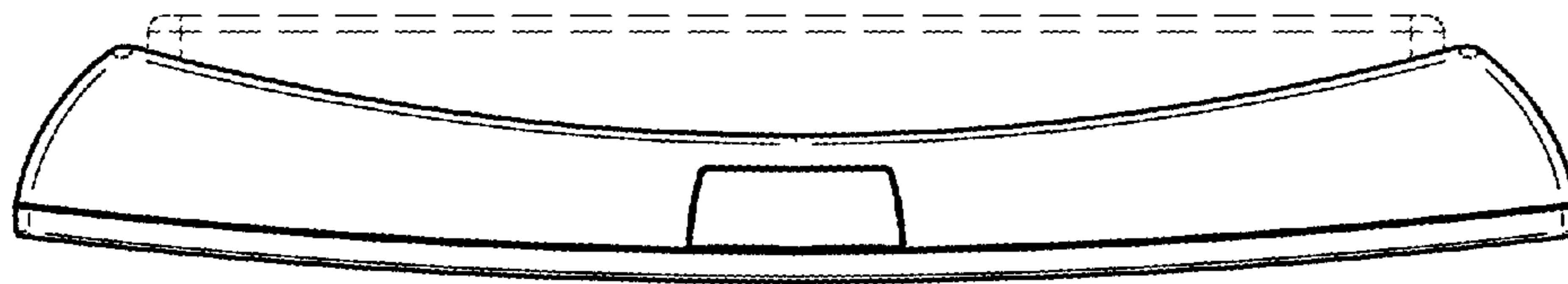


FIG. 33

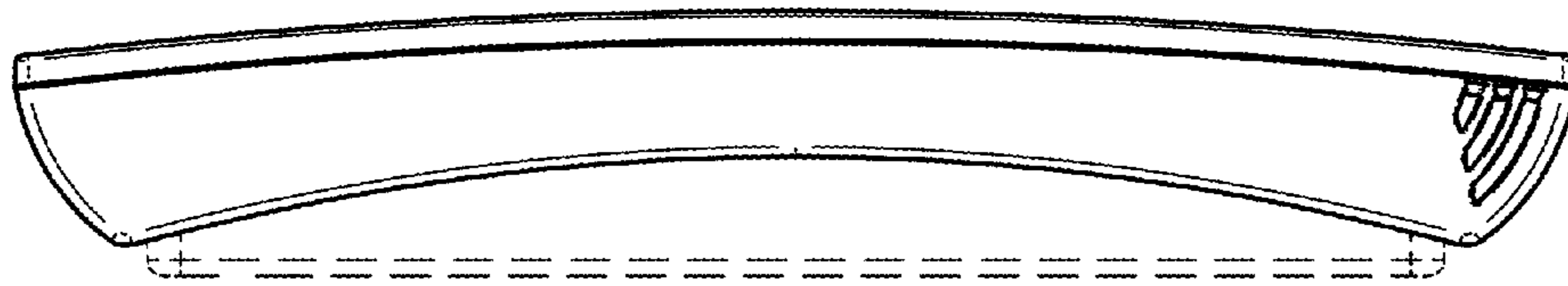


FIG. 34

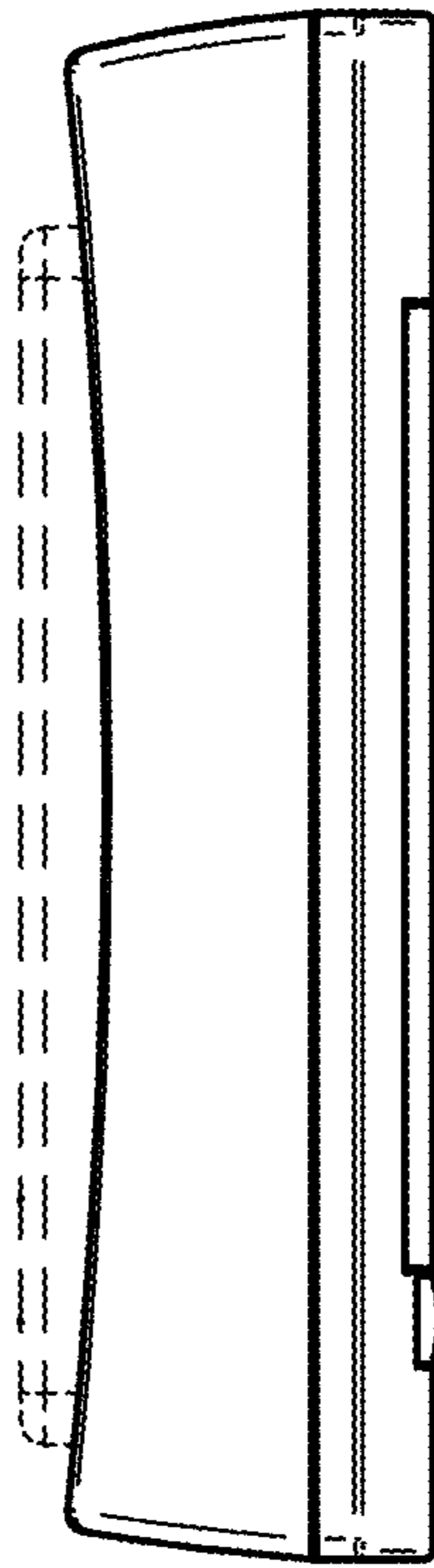


FIG. 35

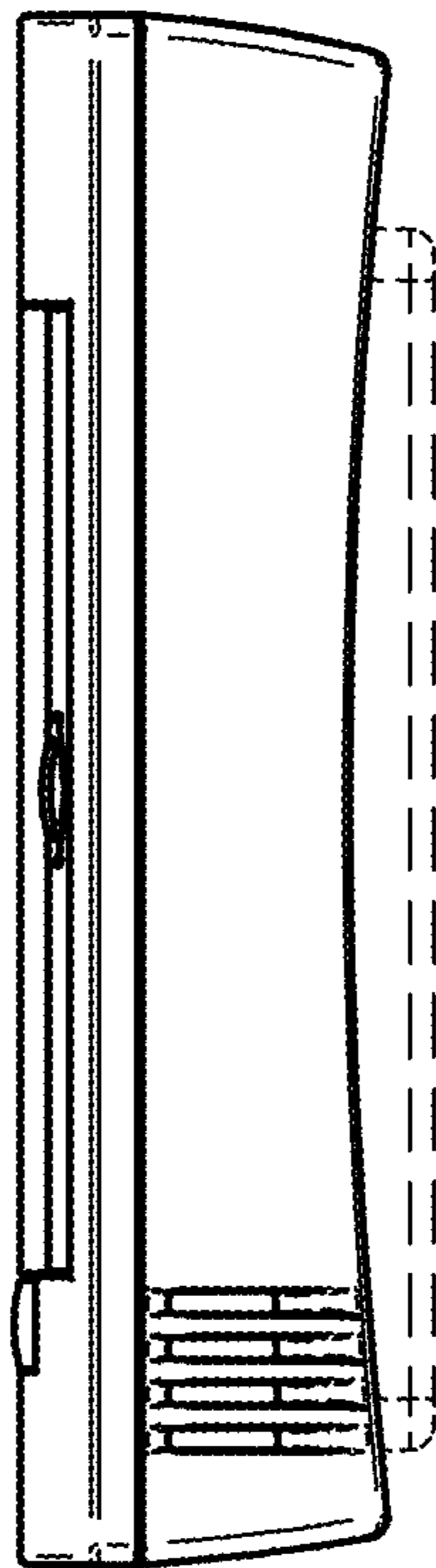


FIG. 36

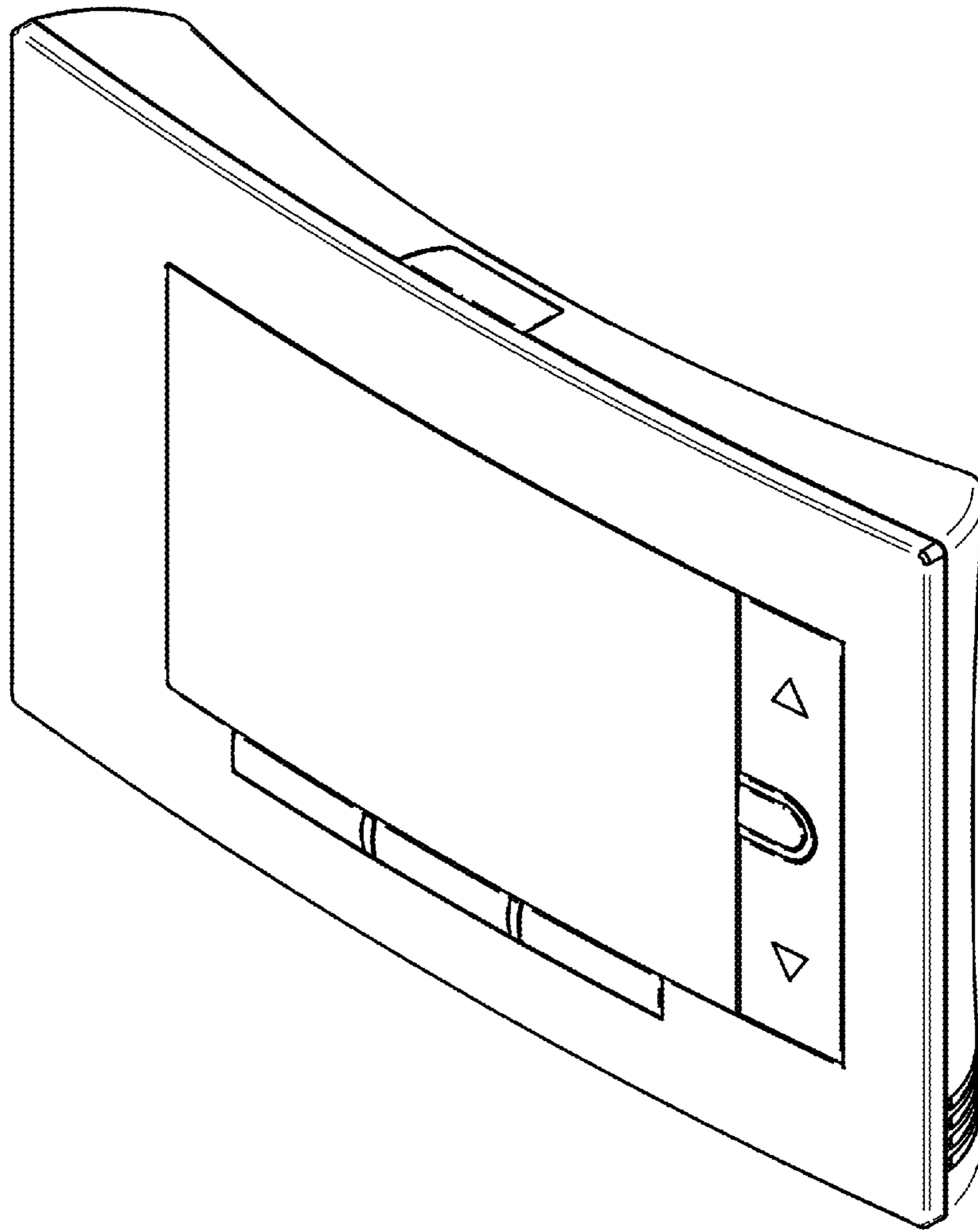


FIG. 37

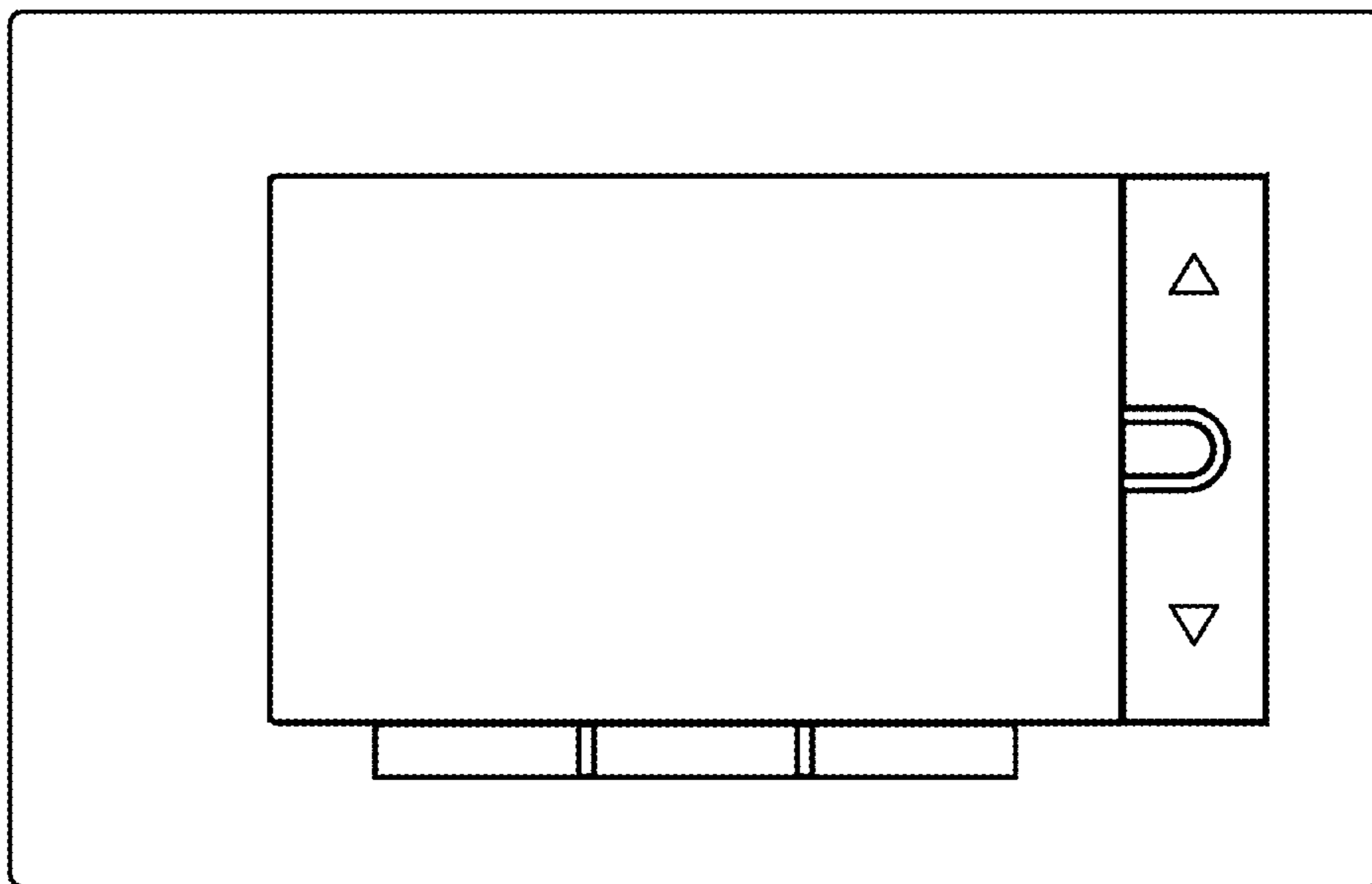


FIG. 38

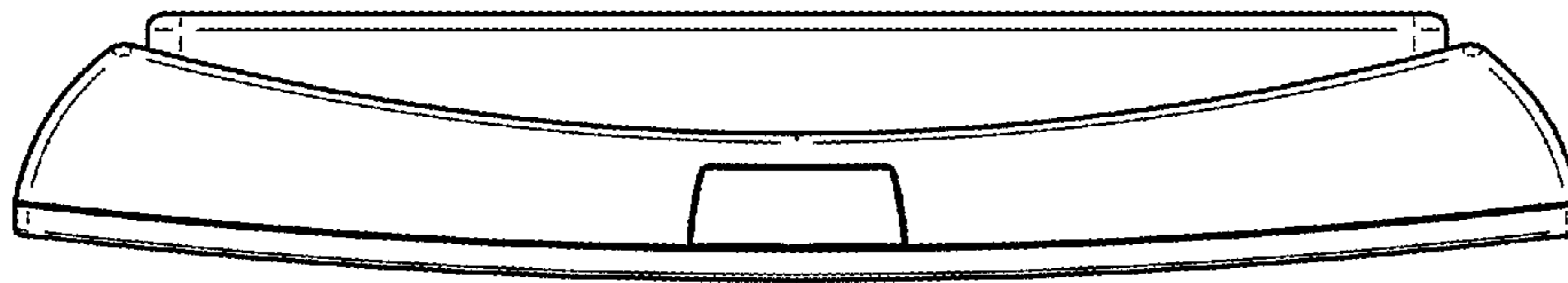


FIG. 39

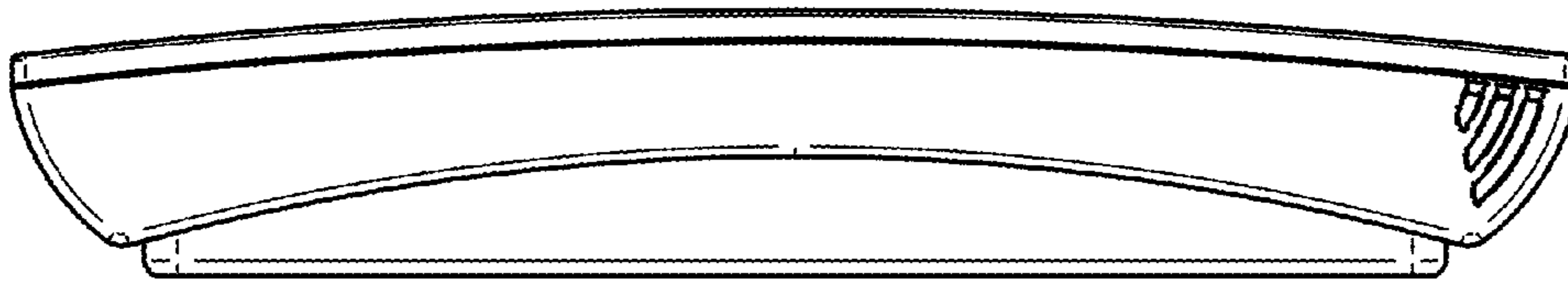


FIG. 40

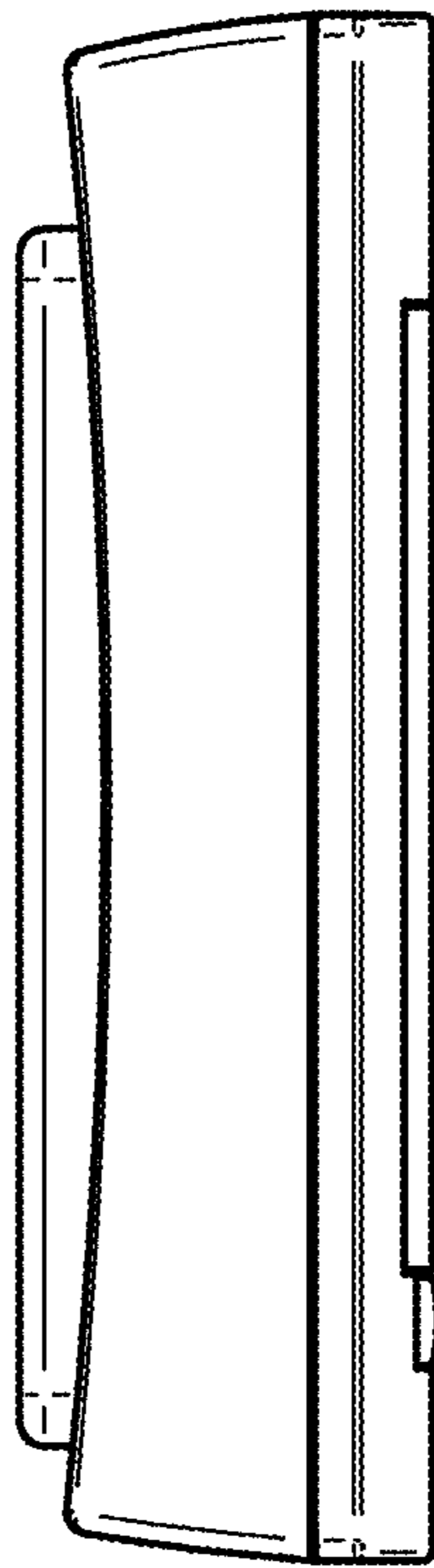


FIG. 41

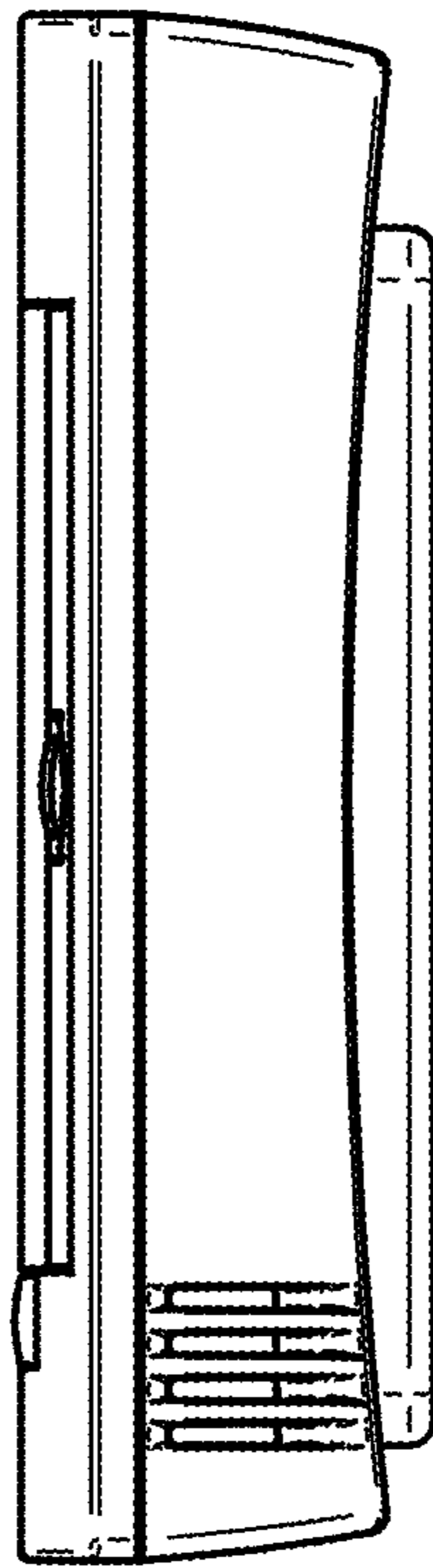


FIG. 42