



US00D715165S

(12) **United States Design Patent**
Deligiannis et al.

(10) **Patent No.:** **US D715,165 S**

(45) **Date of Patent:** **** Oct. 14, 2014**

(54) **THERMOSTAT UNIT**

USPC D10/49-50; D13/162
See application file for complete search history.

(71) Applicants: **Jorge Deligiannis**, Ottawa (CA);
Michael S. McGuire, Ottawa (CA);
Niraj Bhargava, Ottawa (CA)

(56) **References Cited**

U.S. PATENT DOCUMENTS

D663,224 S * 7/2012 Morrow D10/50

* cited by examiner

(72) Inventors: **Jorge Deligiannis**, Ottawa (CA);
Michael S. McGuire, Ottawa (CA);
Niraj Bhargava, Ottawa (CA)

Primary Examiner — Antoine D Davis

(73) Assignee: **Energate Inc.**, Ottawa (CA)

(74) *Attorney, Agent, or Firm* — Gowling, LaFleur & Henderson LLP

(**) Term: **14 Years**

(21) Appl. No.: **29/457,835**

(57) **CLAIM**

(22) Filed: **Jun. 13, 2013**

The ornamental design for a thermostat unit, as shown and described.

Related U.S. Application Data

DESCRIPTION

(62) Division of application No. 29/411,608, filed on Jan. 24, 2012, now Pat. No. Des. 688,955.

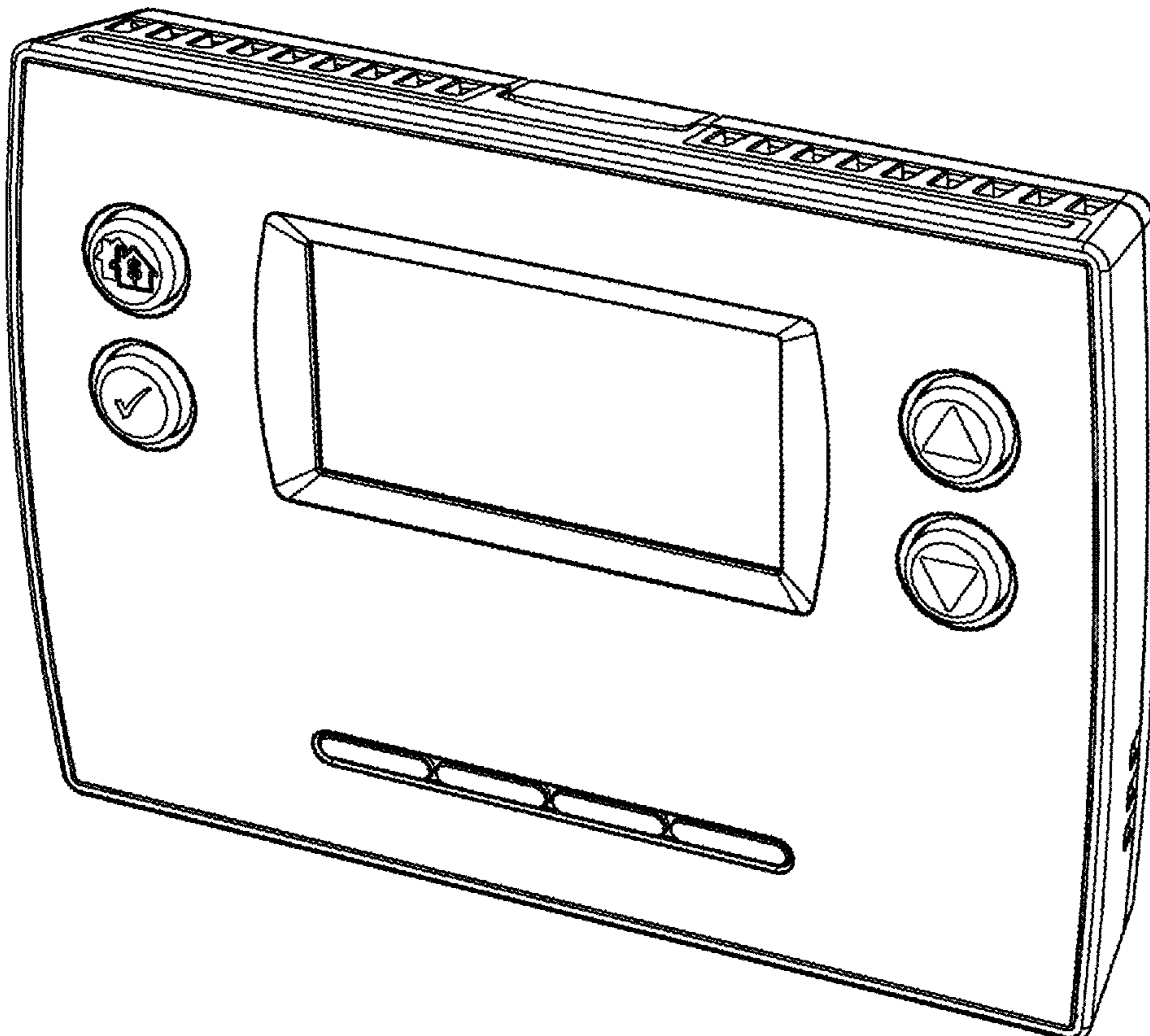
(51) **LOC (10) Cl.** **10-04**

(52) **U.S. Cl.**
USPC **D10/50**

(58) **Field of Classification Search**
CPC F23N 5/20; F23N 5/122; F23N 5/203;
F23N 2041/02; F24F 11/00; F24F 11/0012;
F24F 2011/0071; F24F 2011/0091; G05B
19/042; G05B 2219/24048; G05B
2219/24102; G05D 23/12; G05D 23/275

FIG. 1 is a perspective view of the thermostat unit design;
FIG. 2 is a front view of the thermostat unit design;
FIG. 3 is a left side view of the thermostat unit design;
FIG. 4 is a right side view of the thermostat unit design;
FIG. 5 is a top view of the thermostat unit design;
FIG. 6 is a bottom view of the thermostat unit design; and,
FIG. 7 is a back view of the thermostat unit design.

1 Claim, 2 Drawing Sheets



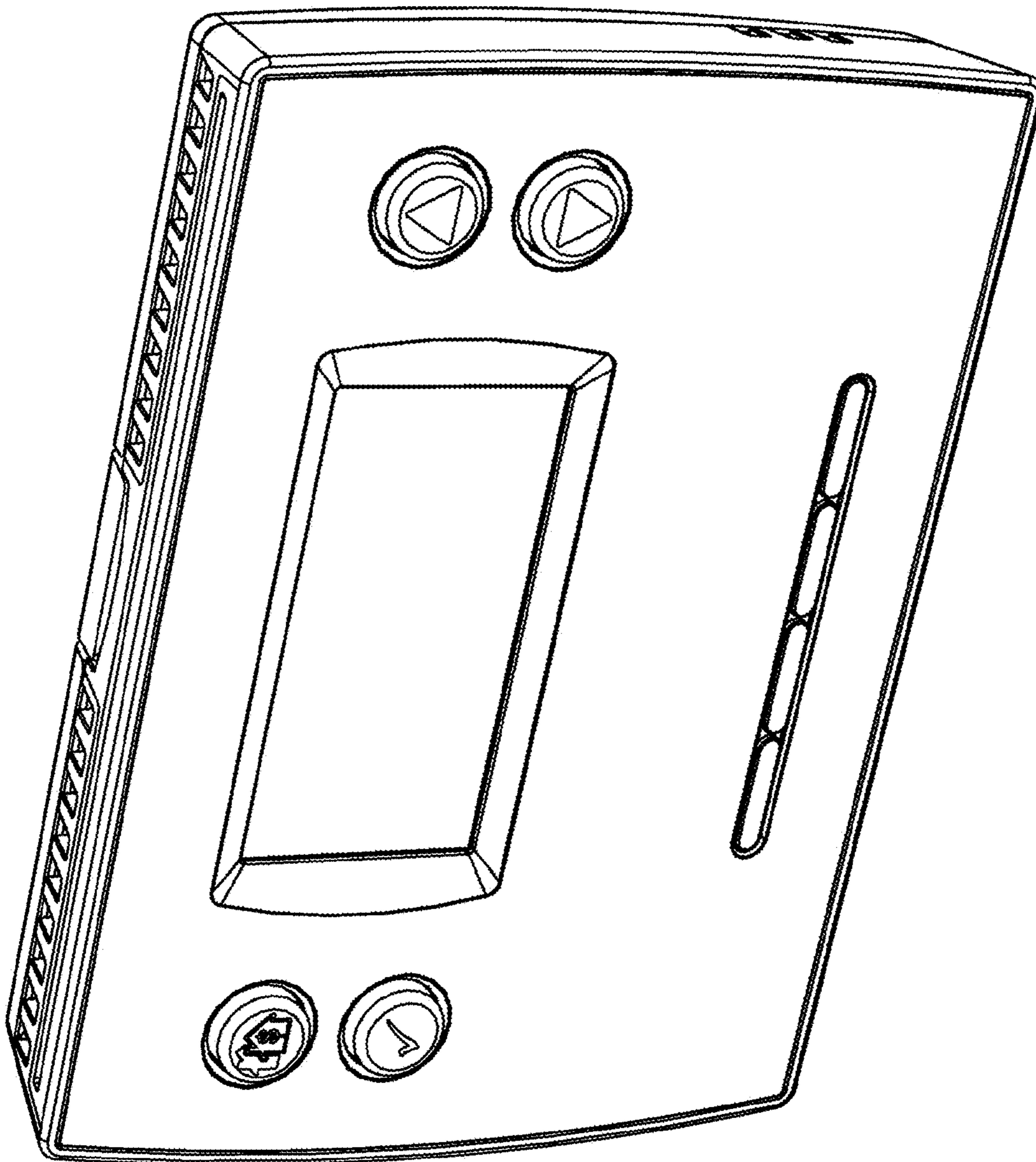


Fig. 1

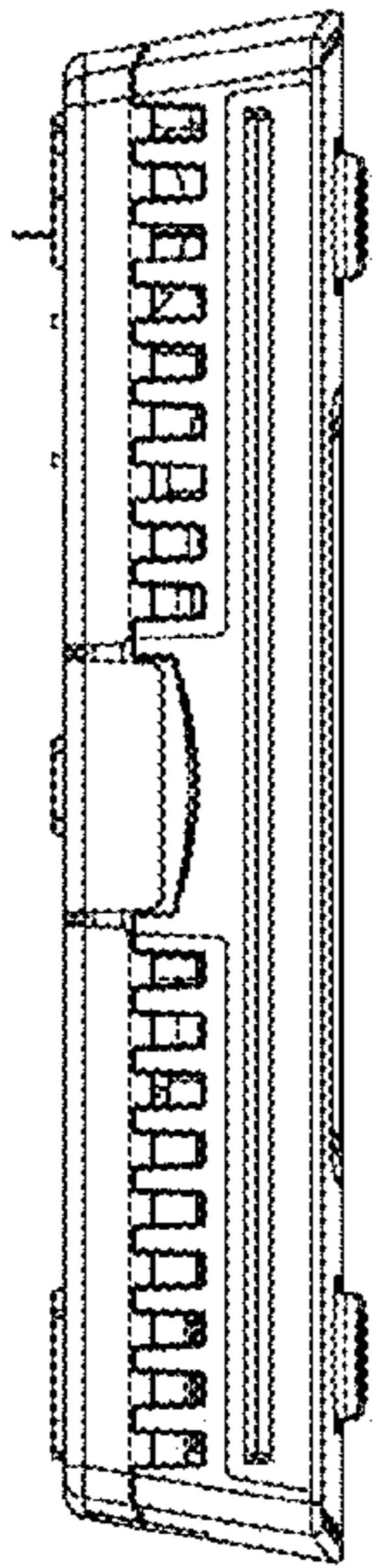


Fig. 5

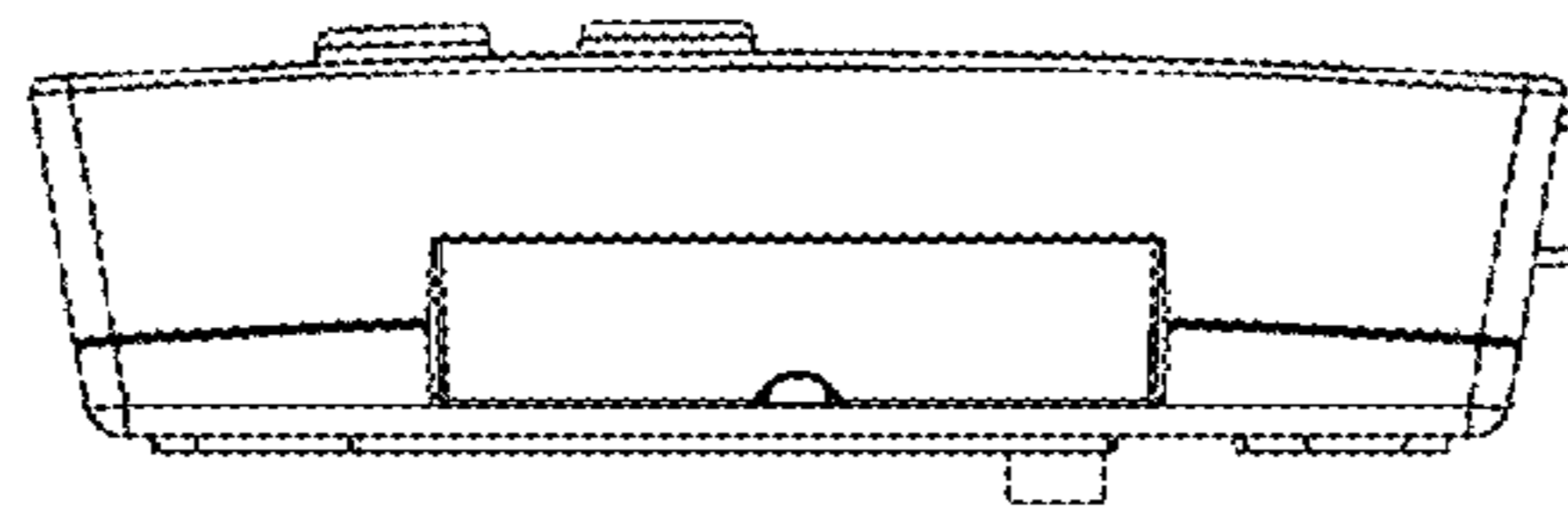


Fig. 3

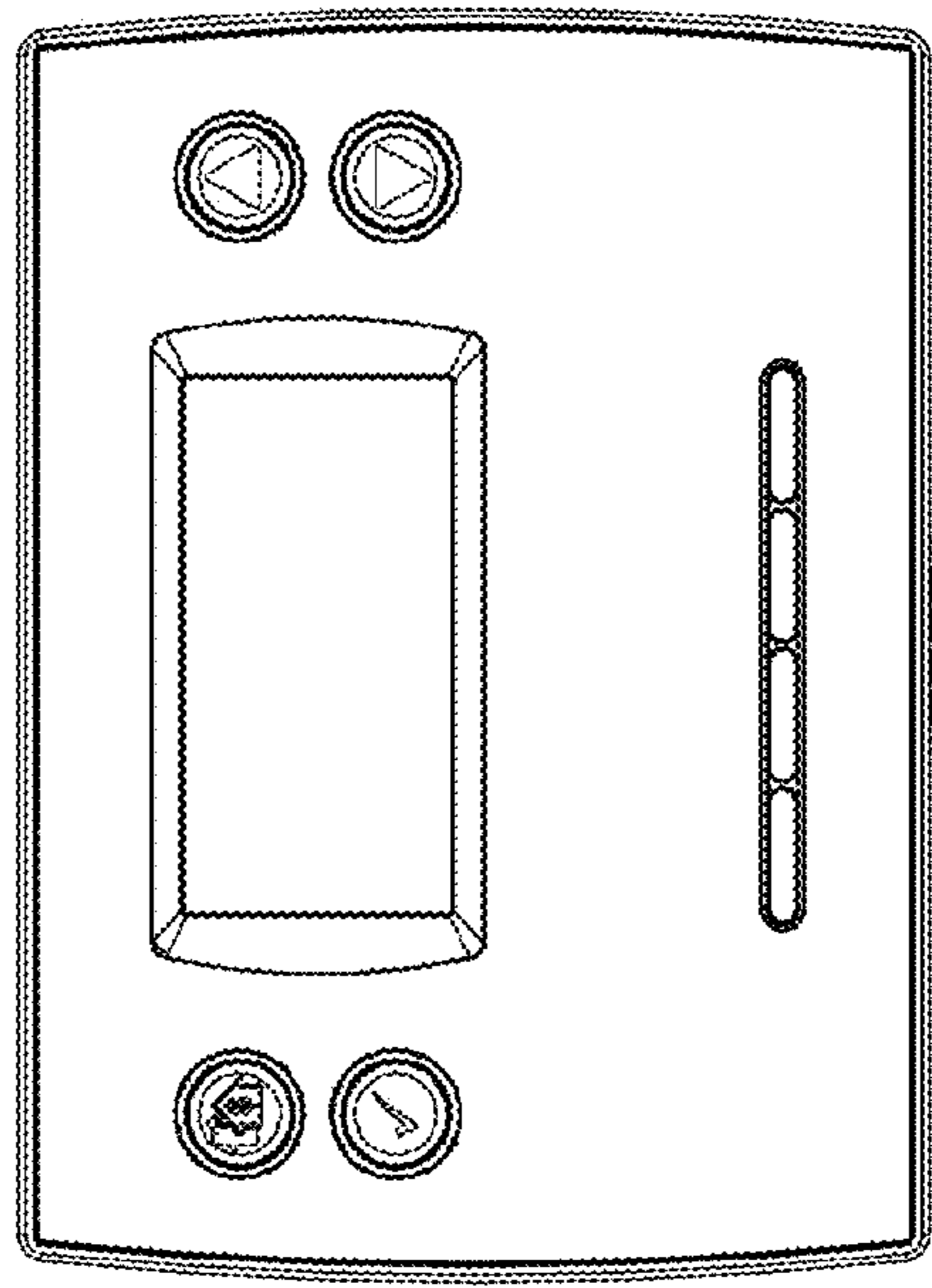


Fig. 2

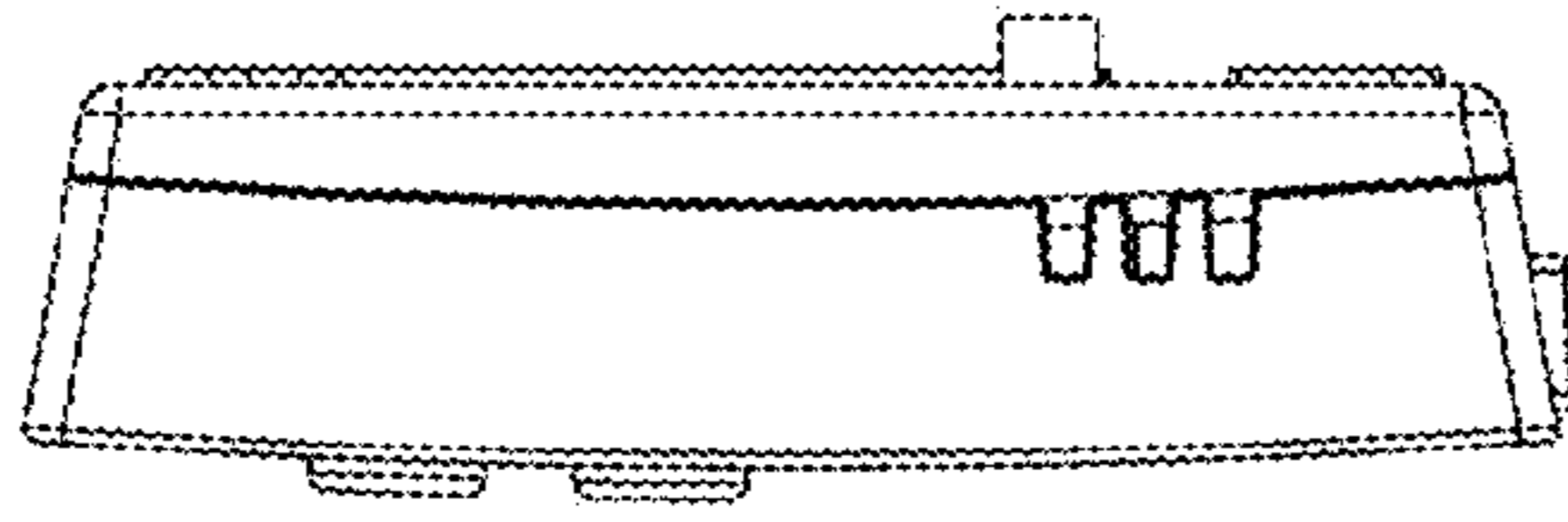


Fig. 4

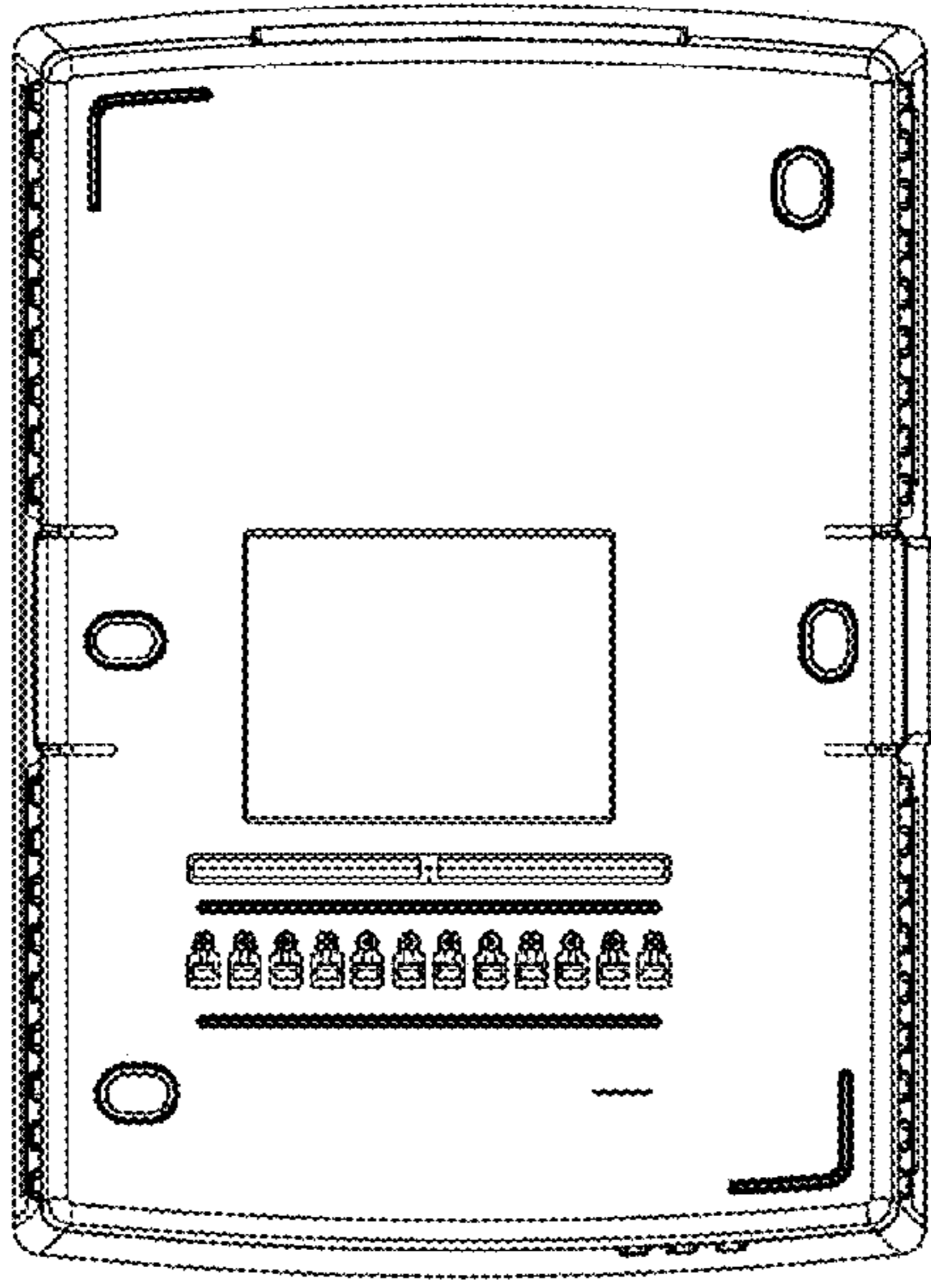


Fig. 7

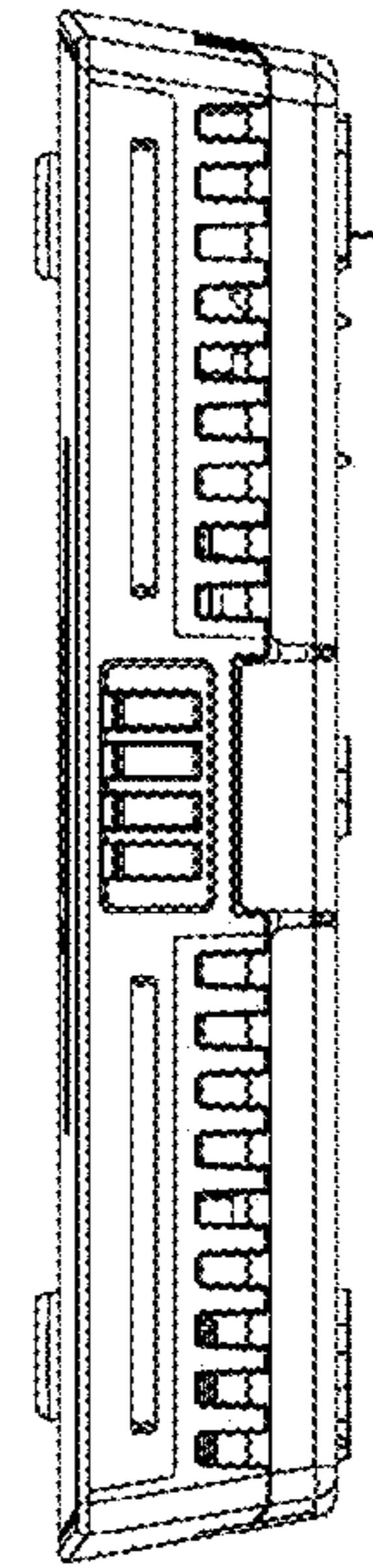


Fig. 6