



US00D715164S

(12) **United States Design Patent**
Tedeschi

(10) **Patent No.:** **US D715,164 S**
(45) **Date of Patent:** **** Oct. 14, 2014**

(54) **WATCH**

(75) Inventor: **Marco Tedeschi**, Founex (CH)

(73) Assignee: **HUBLLOT SA**, Geneve, Geneva (CH)

(**) Term: **14 Years**

(21) Appl. No.: **29/397,028**

(22) Filed: **Jul. 11, 2011**

(30) **Foreign Application Priority Data**

Jan. 14, 2011 (WO) DM/075 168

(51) **LOC (10) Cl.** **10-02**

(52) **U.S. Cl.**
USPC **D10/38; D10/128**

(58) **Field of Classification Search**
USPC D10/30-39, 128; 368/276, 281, 282
See application file for complete search history.

(56) **References Cited**

U.S. PATENT DOCUMENTS

D80,999 S *	4/1930	Conant	D10/38
1,905,682 A *	4/1933	Carlson	368/281
D151,301 S *	10/1948	Tuffo	D10/31
3,910,031 A *	10/1975	Keida	368/281
D315,104 S *	3/1991	Sugano	D10/30
D361,946 S *	9/1995	Bulgari	D10/39

D401,864 S *	12/1998	Navera	D10/32
D404,320 S *	1/1999	Chodat	D10/39
D456,274 S *	4/2002	Mille	D10/30
D489,272 S *	5/2004	Messmer	D10/38
D539,176 S *	3/2007	Lillegard et al.	D10/39
D540,699 S *	4/2007	Niculescu	D10/39
D640,146 S *	6/2011	Tedeschi	D10/39
D649,481 S *	11/2011	Crocco	D10/39
D650,708 S *	12/2011	Laucella	D10/39
D658,514 S *	5/2012	Mille	D10/39
D664,047 S *	7/2012	Mille	D10/39
D673,868 S *	1/2013	Mille	D10/39

* cited by examiner

Primary Examiner — Lucy Lieberman

(74) *Attorney, Agent, or Firm* — Sughrue Mion, PLLC

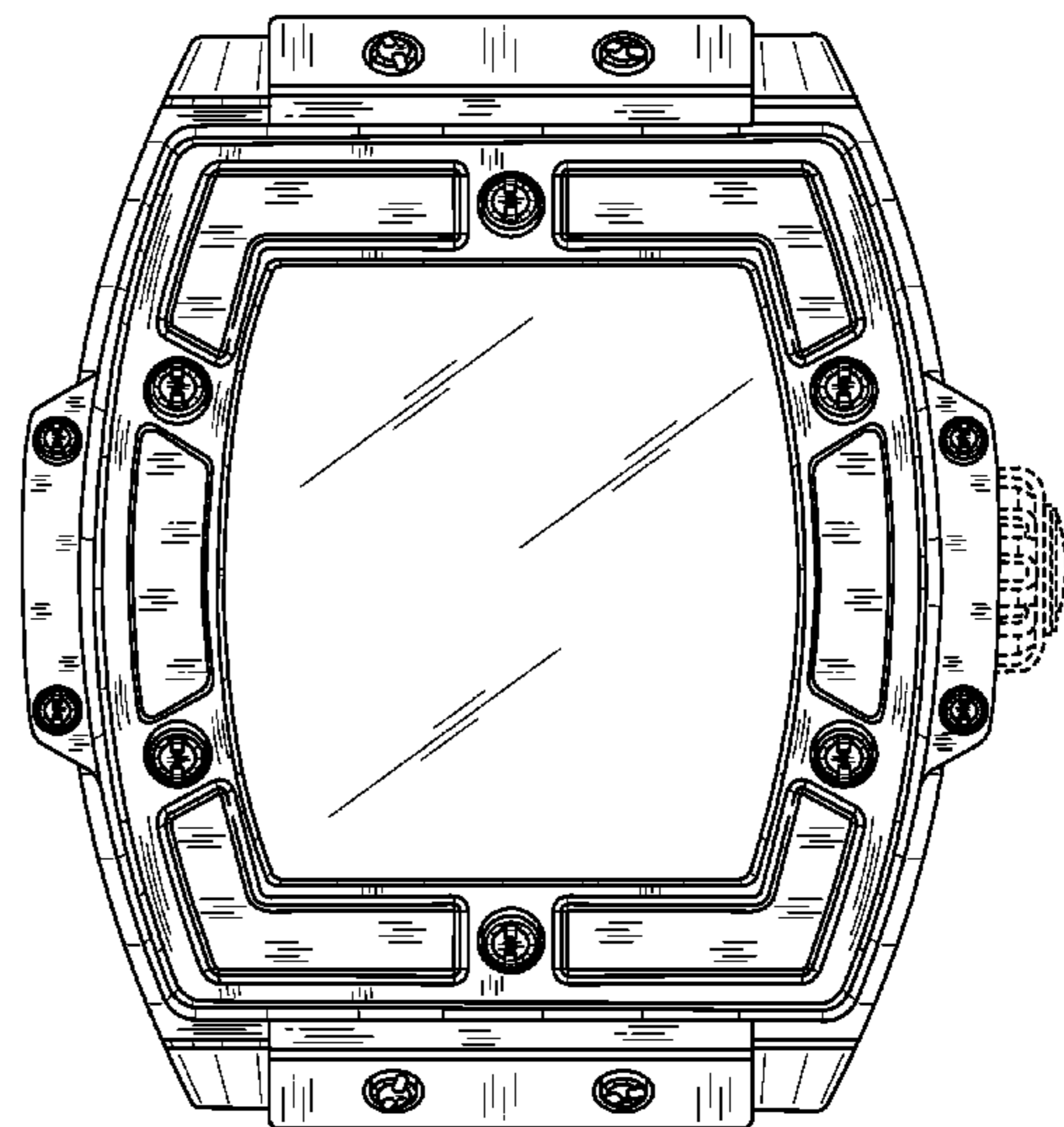
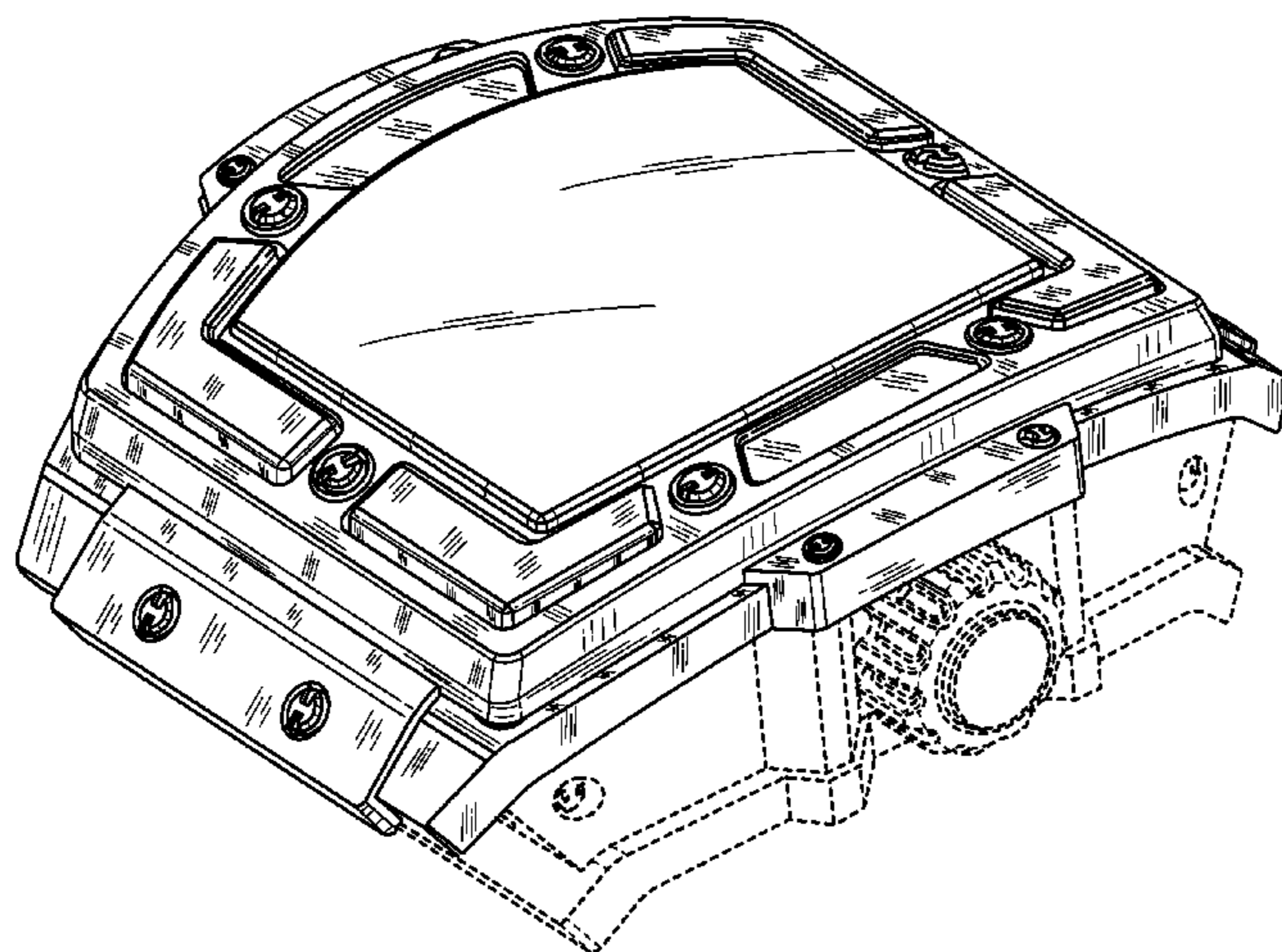
(57) **CLAIM**

The ornamental design for a watch, as shown and described.

DESCRIPTION

FIG. 1 is a perspective view of the front and right side of a wristwatch showing my new design;
FIG. 2 is a front elevational view thereof;
FIG. 3 is a top plan view thereof;
FIG. 4 is a left side elevational view thereof;
FIG. 5 is a bottom plan view thereof; and
FIG. 6 is a right elevational view thereof.
The broken lines in the drawings are for illustrative purposes only and form no part of the claimed design.

1 Claim, 6 Drawing Sheets



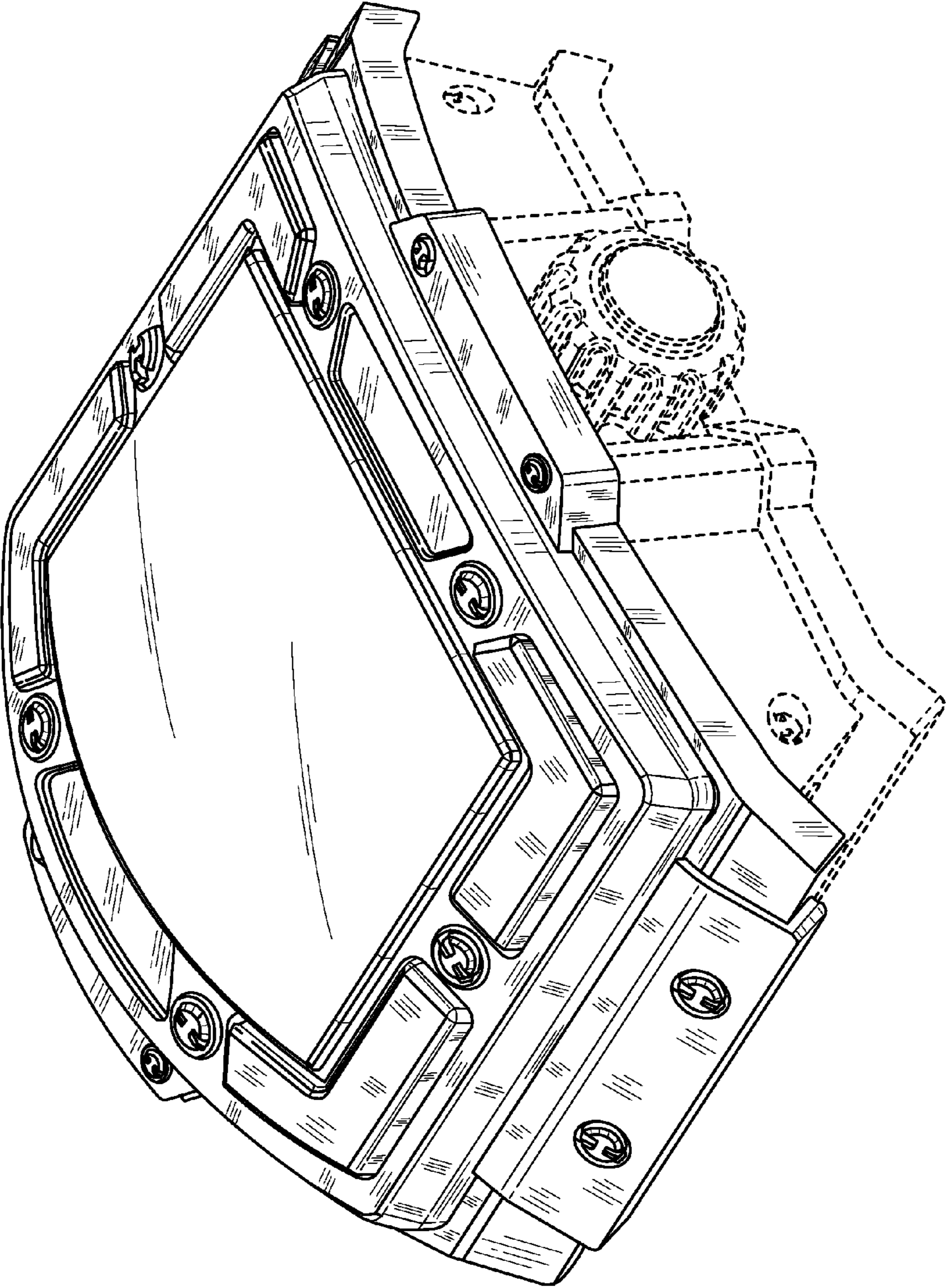


FIG. 1

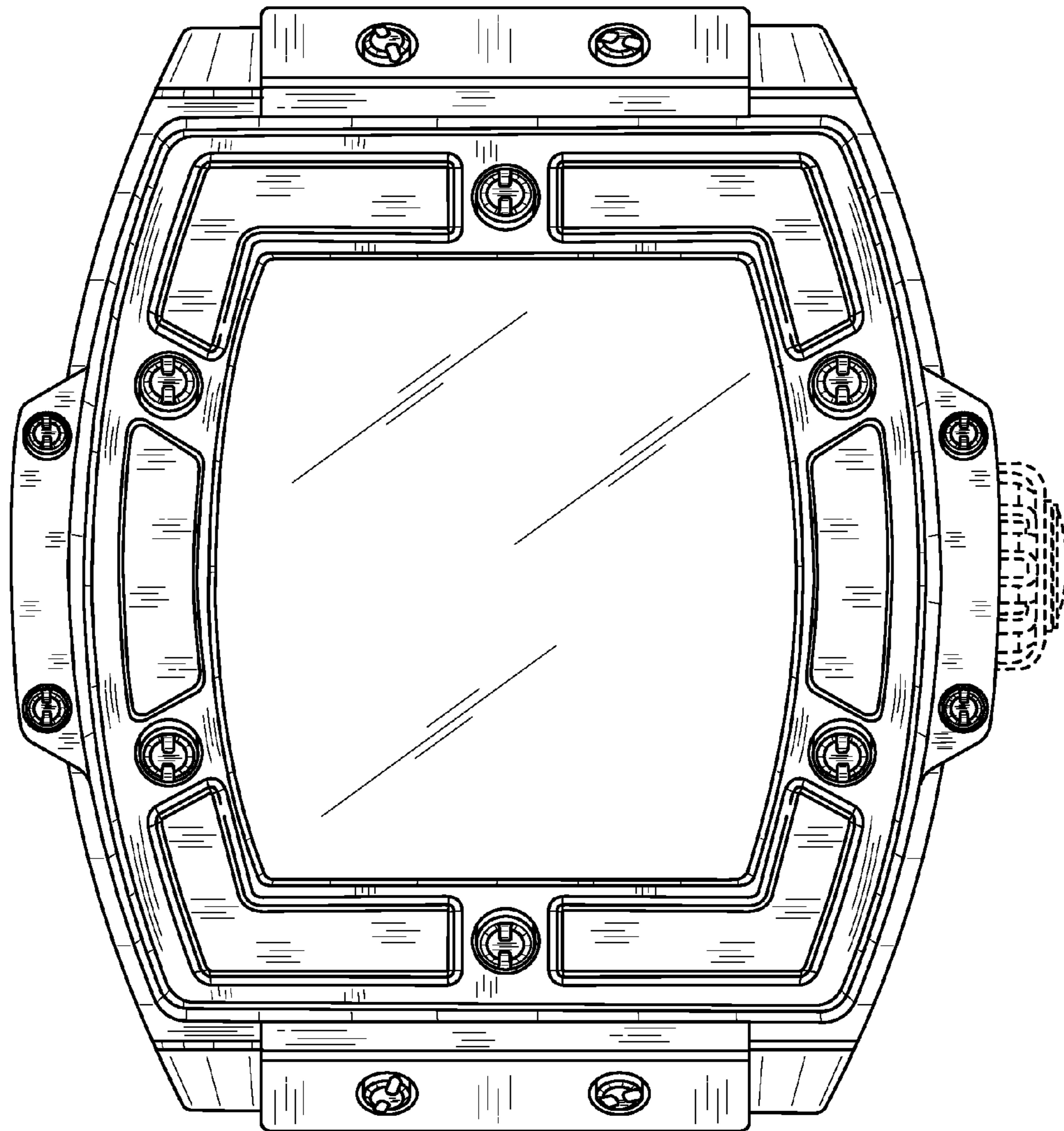


FIG. 2

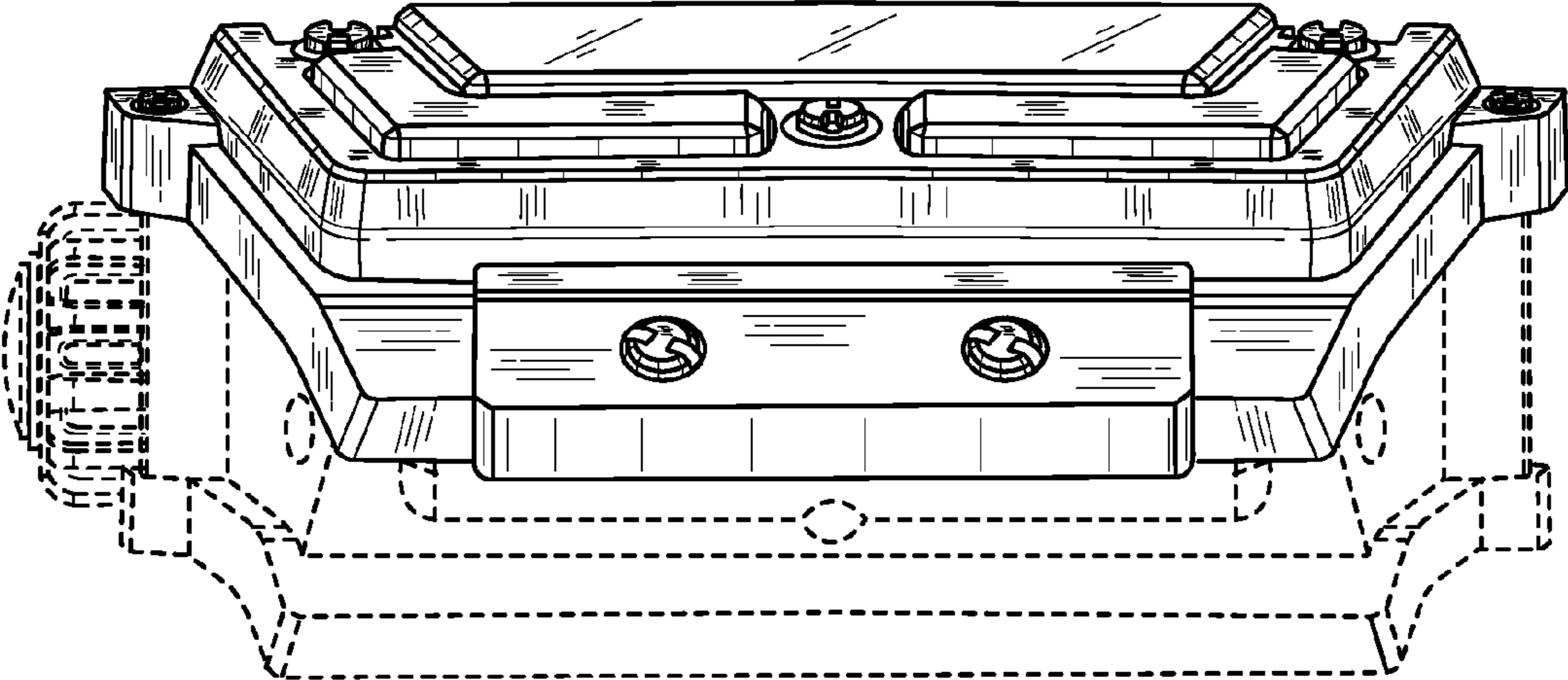


FIG. 3

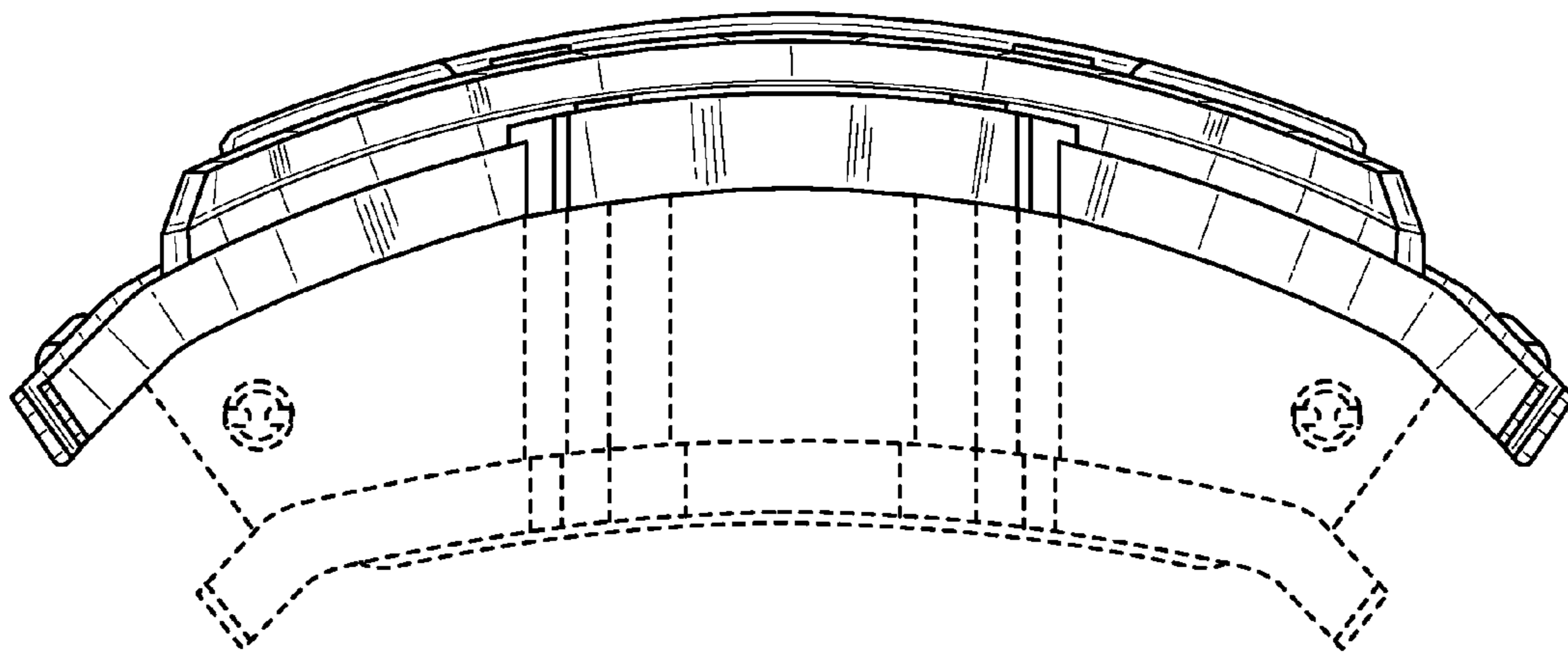


FIG. 4

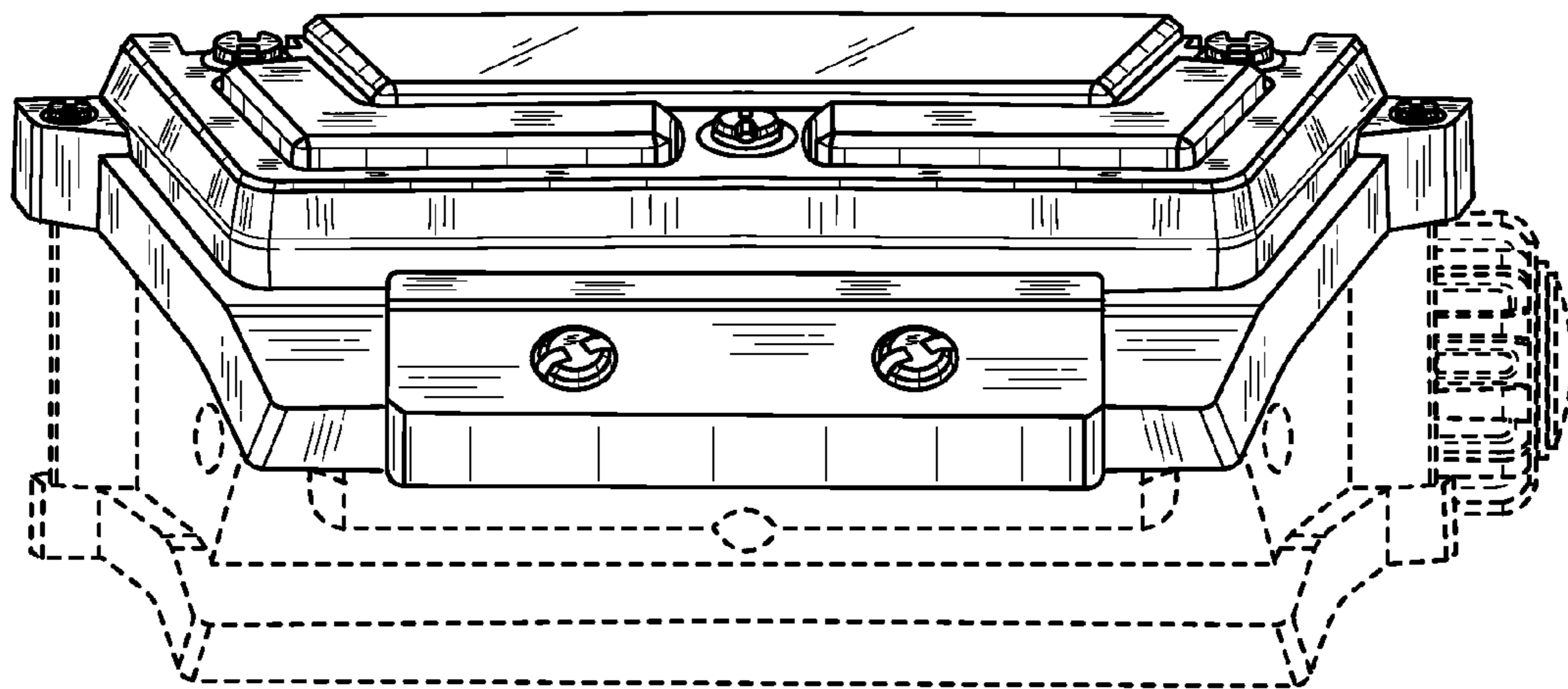


FIG. 5

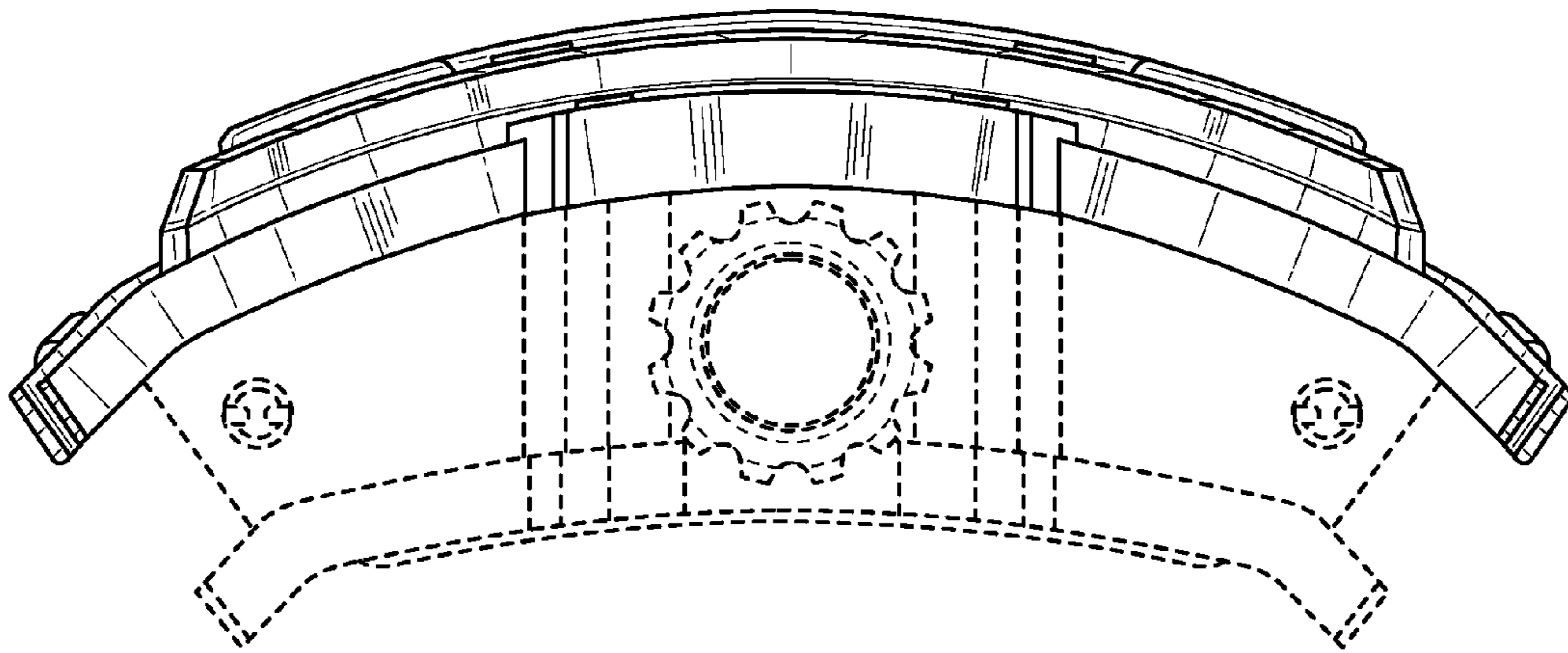


FIG. 6