

US00D715163S

(12) **United States Design Patent**
Jamin

(10) **Patent No.:** **US D715,163 S**

(45) **Date of Patent:** **** Oct. 14, 2014**

(54) **WATCH**

(75) Inventor: **Mathieu Jamin**, Paris (FR)

(73) Assignee: **Christian Dior Couture, S.A.**, Paris (FR)

(**) Term: **14 Years**

(21) Appl. No.: **29/421,544**

(22) Filed: **Aug. 13, 2012**

(30) **Foreign Application Priority Data**

Feb. 27, 2012 (WO) DM/077 931

(51) **LOC (10) Cl.** **10-02**

(52) **U.S. Cl.**
USPC **D10/32; D10/39; D10/126**

(58) **Field of Classification Search**
CPC G04B 19/00; G04B 19/02; G04B 19/04;
G04B 19/22; G04B 19/26; G04B 19/264;
G04B 19/066; G04B 47/00; G04G 9/00;
G04G 9/0076
USPC D10/30-39, 122-132, 1-29; 368/10,
368/15-21, 22, 28, 29, 76, 80, 82, 88, 107,
368/223, 228, 233, 276, 294, 295, 308, 309,
368/319; D11/5

See application file for complete search history.

(56) **References Cited**

U.S. PATENT DOCUMENTS

4,759,002	A *	7/1988	Cash	368/15
4,893,291	A *	1/1990	Bick et al.	368/10
D327,859	S *	7/1992	Robert	D10/126
5,237,546	A *	8/1993	Vollert	368/294
D362,630	S *	9/1995	Riley	D10/30
5,541,895	A *	7/1996	Nussbaum	368/295
5,572,489	A *	11/1996	Born et al.	368/21
5,631,878	A *	5/1997	Chen	368/21
D380,969	S *	7/1997	Houlihan	D10/30

D380,976	S *	7/1997	Houlihan	D10/128
D392,578	S *	3/1998	Farsai	D10/126
D392,580	S *	3/1998	Farsai	D10/126

(Continued)

OTHER PUBLICATIONS

Inventor: Mathieu Jamin, Title of Invention: Watch Band; Design U.S. Appl. No. 29/401,983, filed Sep. 19, 2011.

Primary Examiner — Martie K Holtje

(74) *Attorney, Agent, or Firm* — Amster, Rothstein & Ebenstein LLP; Philip H. Gottfried, Esq.

(57) **CLAIM**

The ornamental design for a watch, substantially as shown and described.

DESCRIPTION

The patent or patent application file contains at least one drawing executed in color. Copies of this patent or patent application publication with color drawing(s) will be provided by the Office upon request and payment of the necessary fee.

FIG. 1 is a front elevational view showing my new design with a red rotatable dial segment, a red second hand and a protruding generally cylindrical stem, ornamented in red and with portions of the watch and of the band having grey surface ornamentation;

FIG. 2 is a front elevational view, similar to FIG. 1 with the rotatable dial in an alternate position;

FIG. 3 is a rear elevational view thereof;

FIG. 4 is a top view thereof;

FIG. 5 is a bottom view thereof;

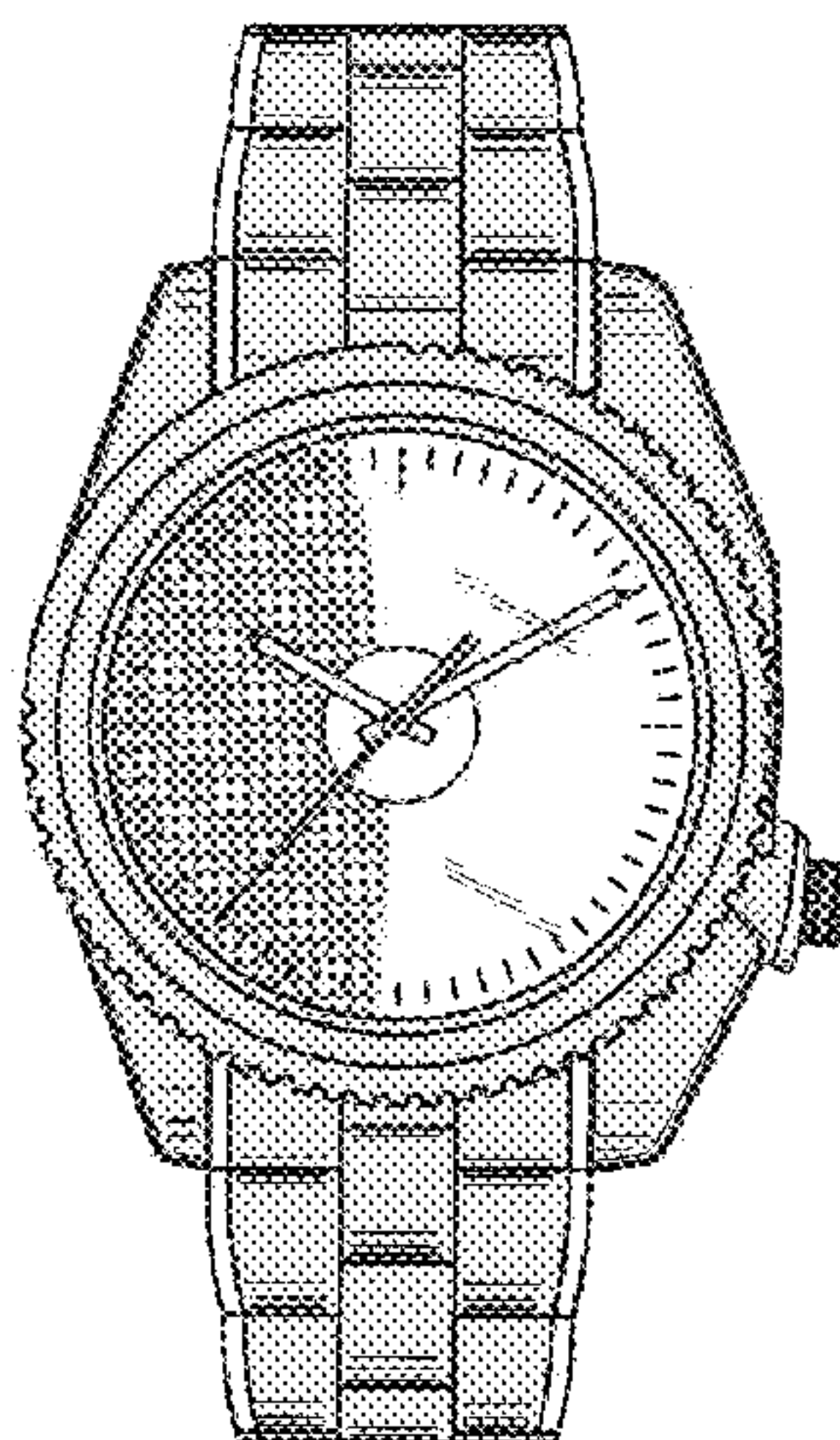
FIG. 6 is a left side elevational view thereof.

FIG. 7 is a right side elevational view thereof;

FIG. 8 is a top perspective view with the red, rotatable dial segment in an alternate position; and,

FIG. 9 is a bottom perspective view thereof.

1 Claim, 9 Drawing Sheets
(9 of 9 Drawing Sheet(s) Filed in Color)



(56)

References Cited

U.S. PATENT DOCUMENTS

D407,029 S * 3/1999 Drucker D10/39
6,198,698 B1 * 3/2001 Graves 368/82
D461,139 S * 8/2002 Hawley D10/126
D525,537 S * 7/2006 Monachon D10/32
7,134,784 B1 * 11/2006 Marin 368/295

D538,182 S * 3/2007 Lalo D10/32
7,218,575 B2 * 5/2007 Rosevear 368/21
D562,704 S * 2/2008 Lalo D10/32
D564,371 S * 3/2008 Lalo D10/38
D577,297 S * 9/2008 Lalo D10/32
D638,734 S * 5/2011 Cole D10/126
2001/0040840 A1 * 11/2001 Terasawa et al. 368/295

* cited by examiner

FIG. 1

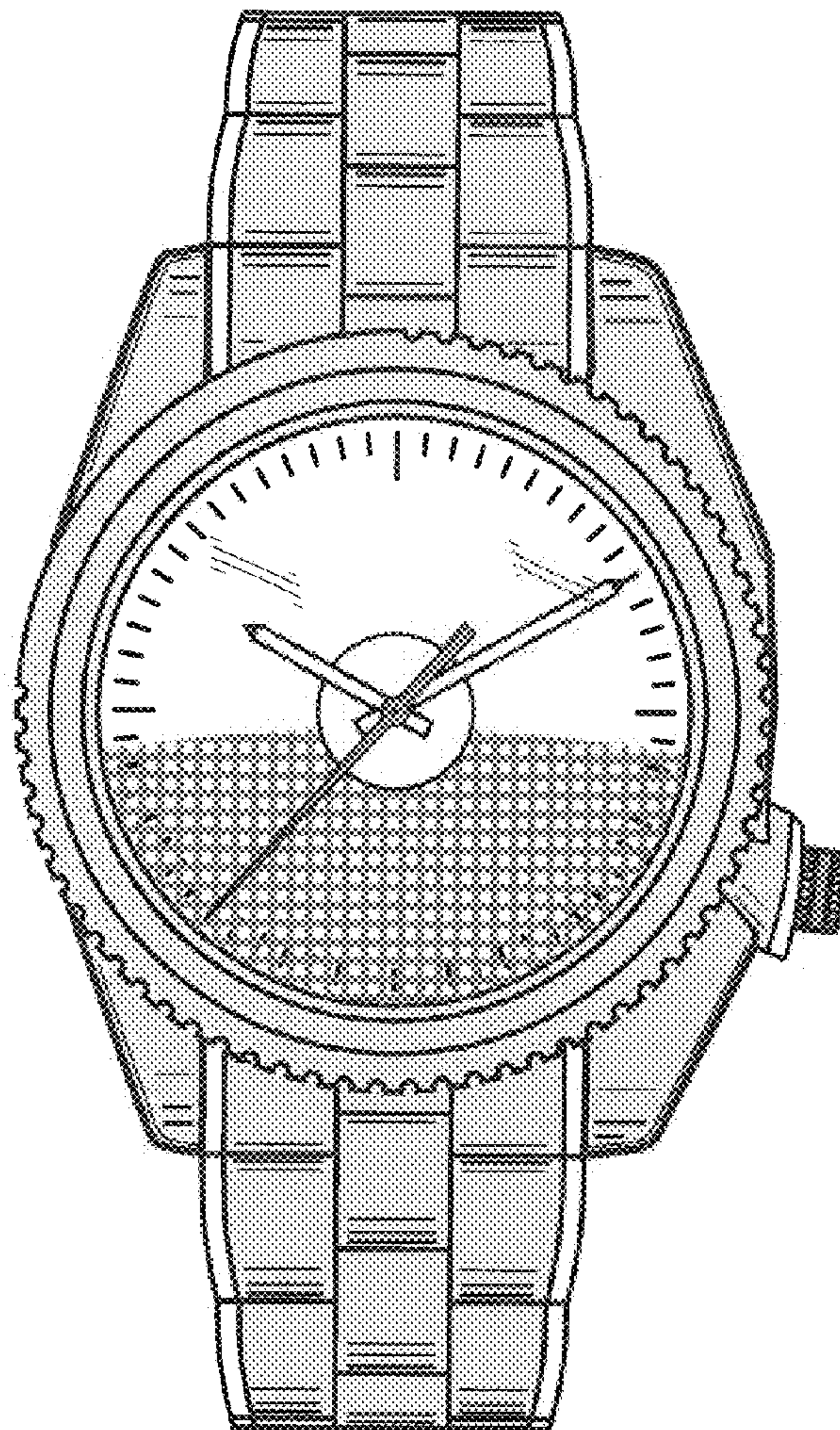


FIG. 2

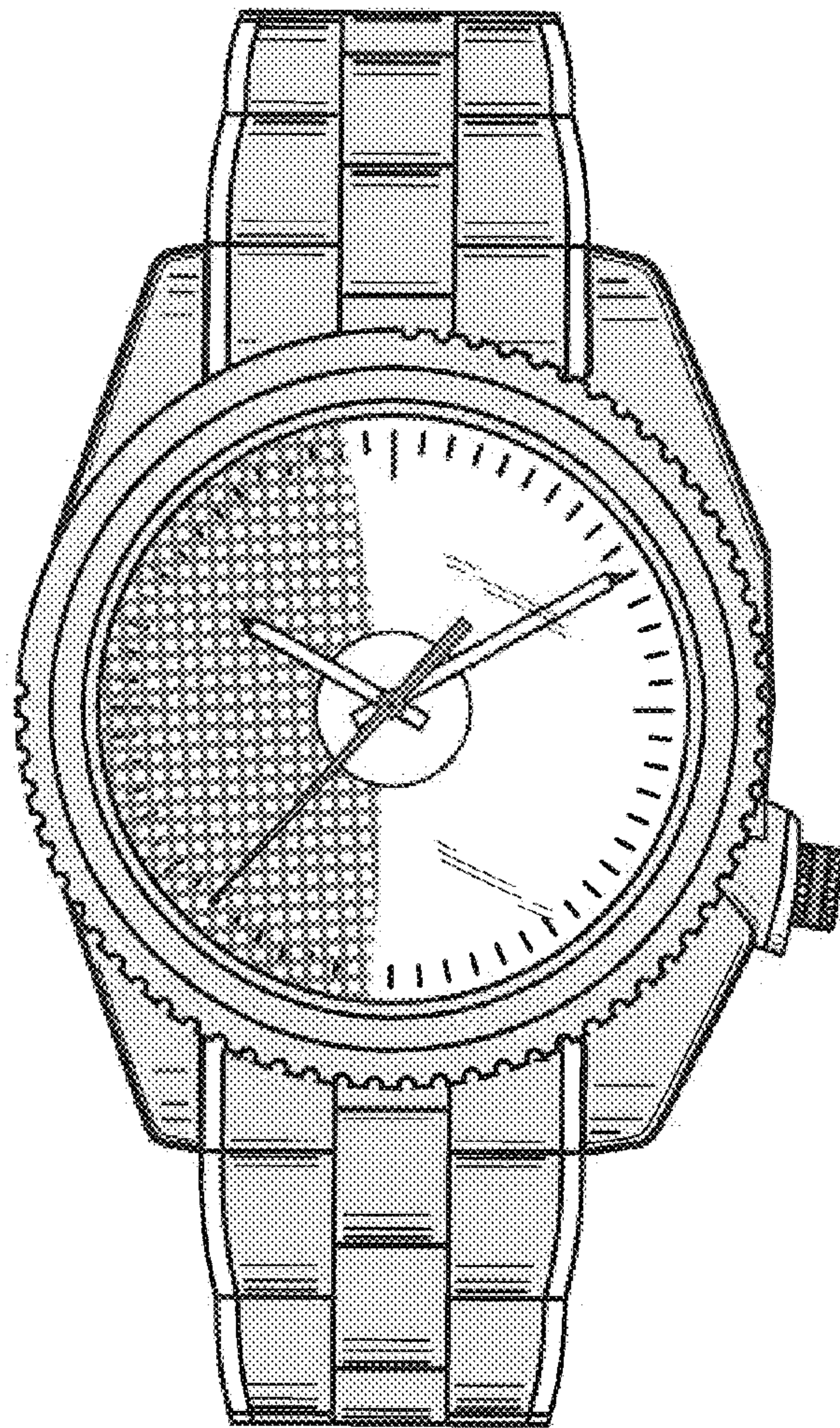


FIG. 3

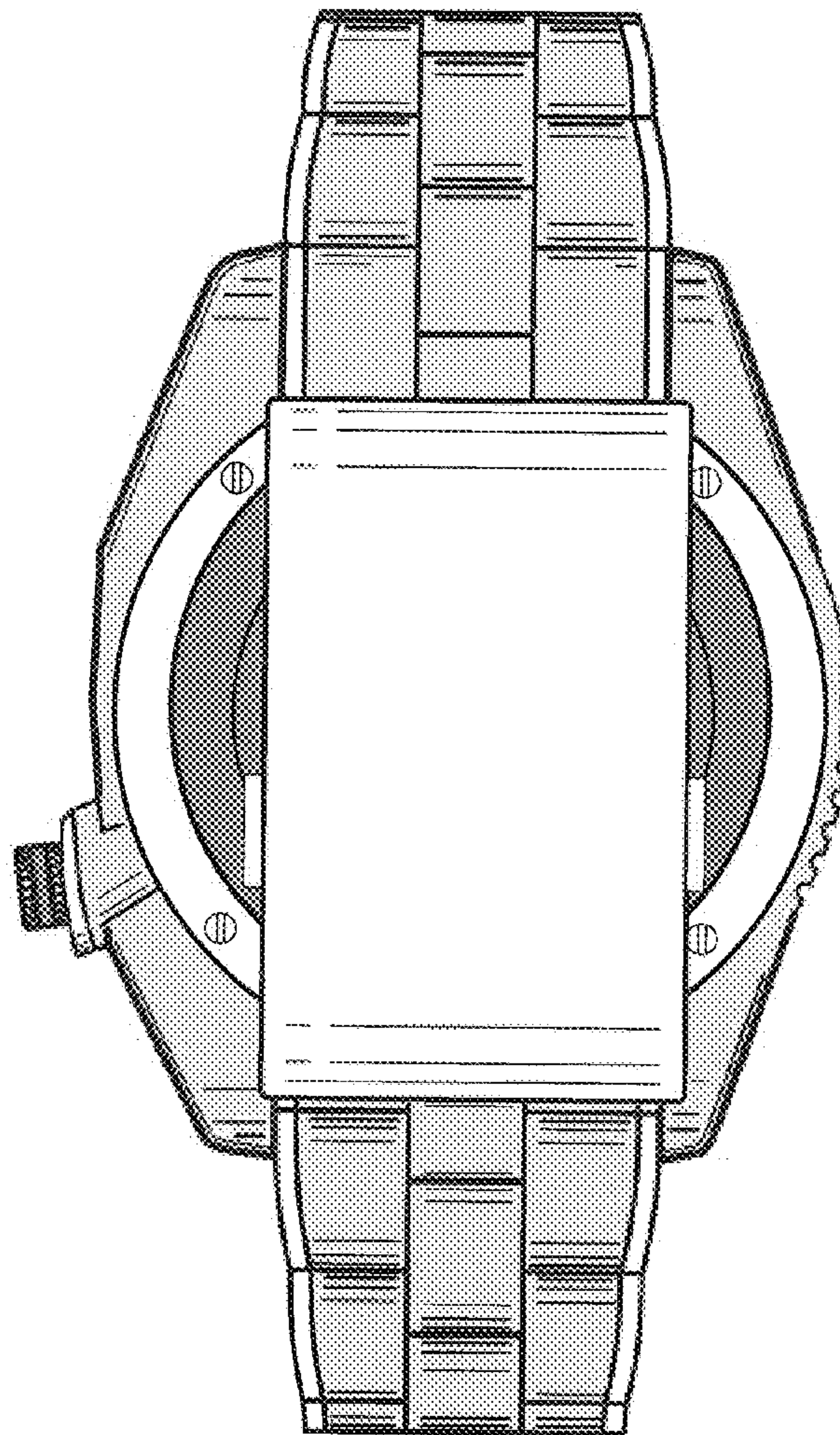


FIG. 4

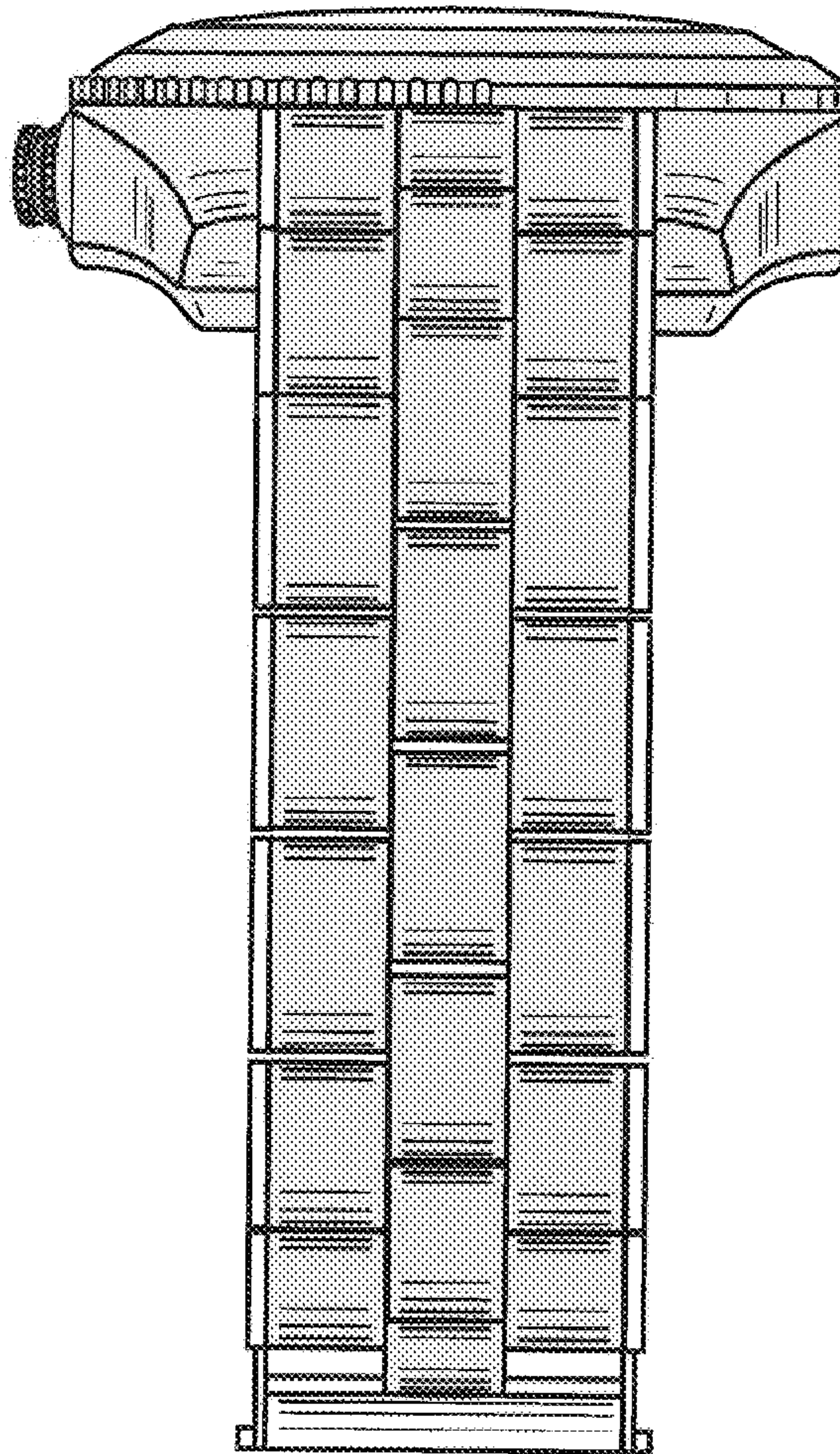


FIG. 5

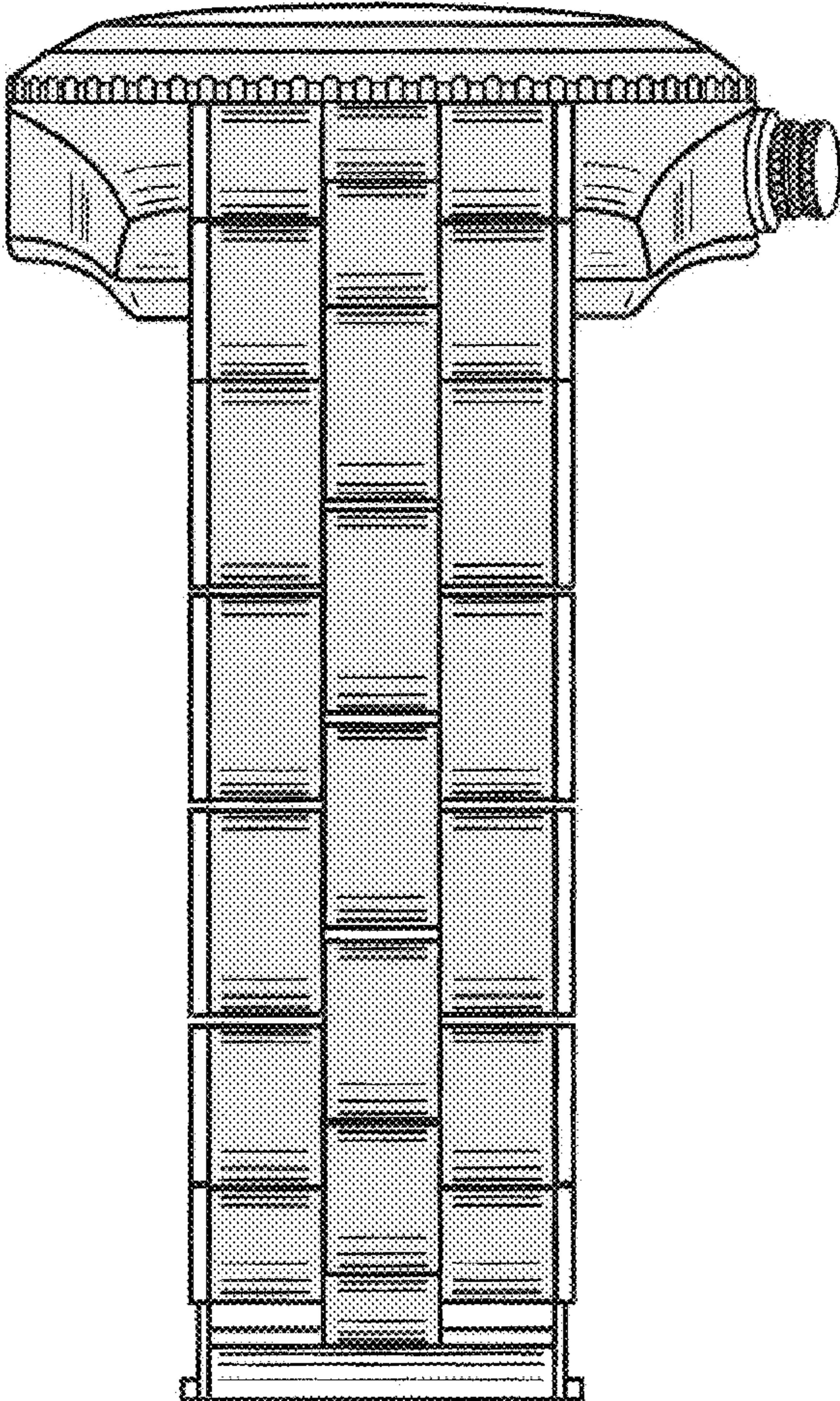


FIG. 6

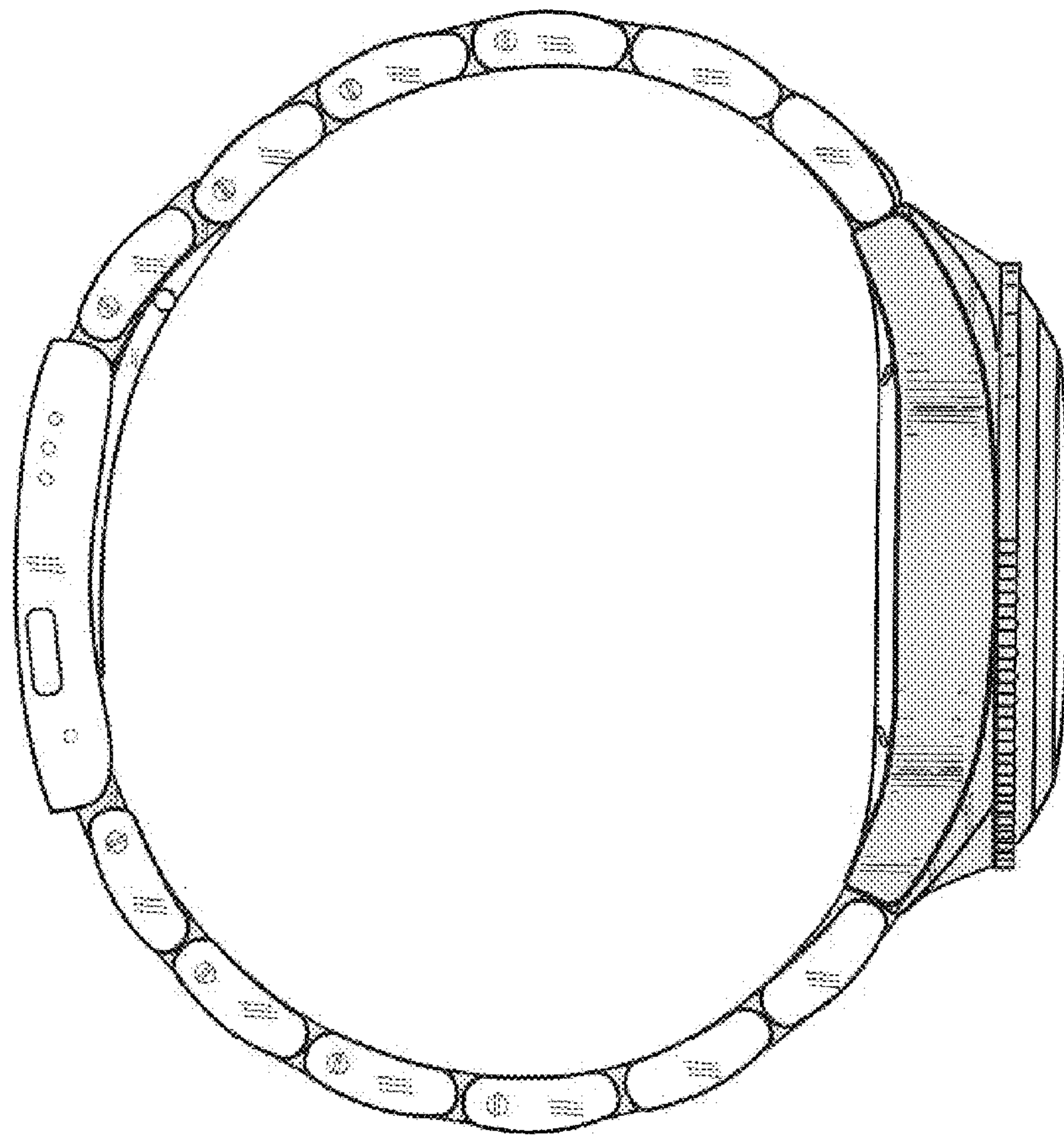


FIG. 7

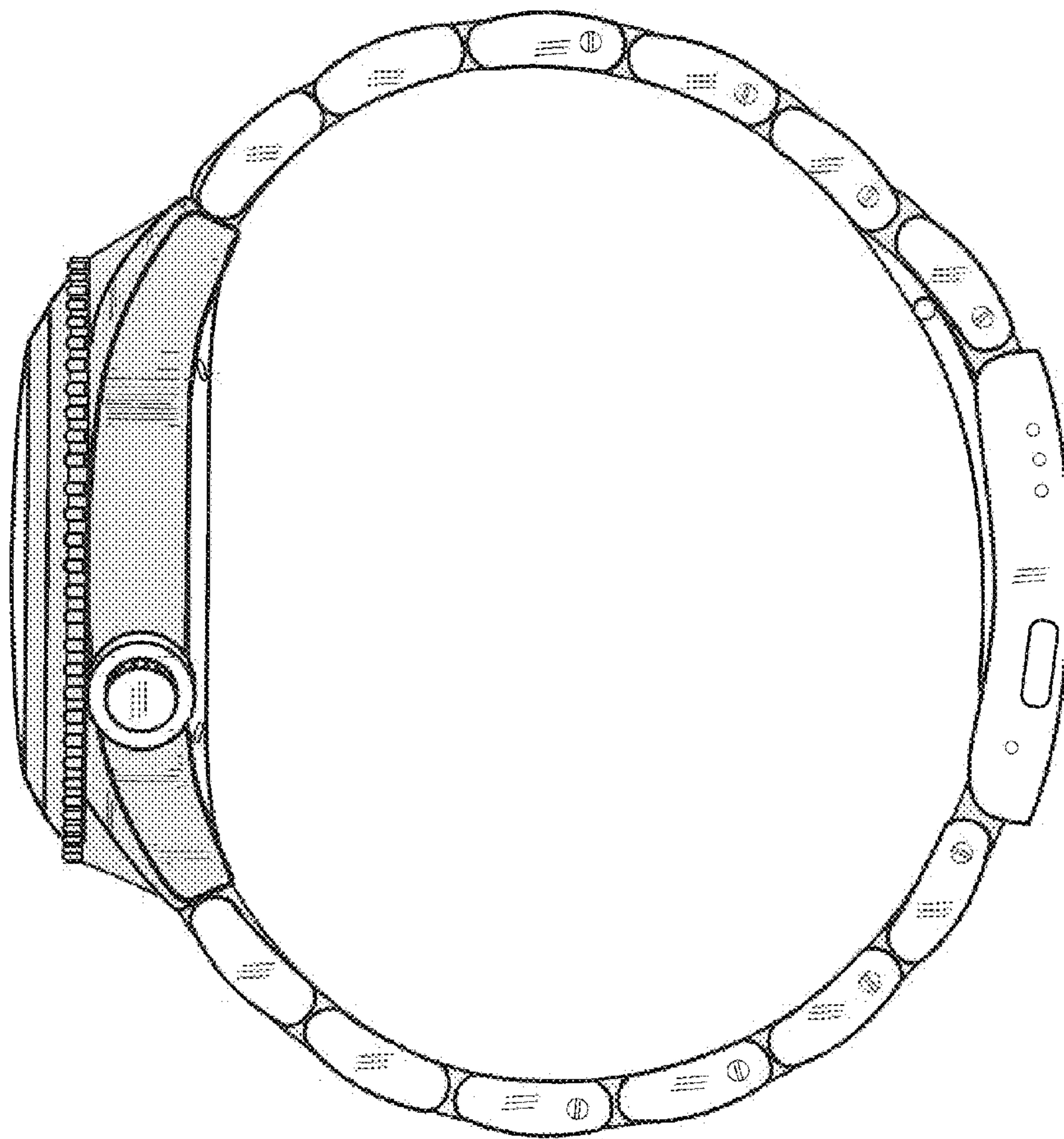


FIG. 8



FIG. 9

