



US00D715161S

(12) **United States Design Patent**
Weiss

(10) **Patent No.:** **US D715,161 S**
(45) **Date of Patent:** **** Oct. 14, 2014**

(54) **STACKABLE SLIDER BEVERAGE CONTAINER**

D591,605 S * 5/2009 Ungrady D9/559
D607,738 S * 1/2010 Kuzma et al. D9/542
D617,196 S * 6/2010 Weggelaar D9/522

(71) Applicant: **Drink Blocks, LLC**, Ladera Ranch, CA (US)

* cited by examiner

(72) Inventor: **Tom Weiss**, Ladera Ranch, CA (US)

Primary Examiner — Marianne Pandozzi

(**) Term: **14 Years**

(74) *Attorney, Agent, or Firm* — David G. Duckworth; Russo & Duckworth, LLP

(21) Appl. No.: **29/471,736**

(57) **CLAIM**

The ornamental design for a stackable slider beverage container, as shown and described.

(22) Filed: **Nov. 4, 2013**

DESCRIPTION

(51) **LOC (10) Cl.** **09-01**

(52) **U.S. Cl.**
USPC **D9/743; D9/566; D9/745; D7/509; D7/515; D7/510**

FIG. 1 is a top, right, front perspective view of the stackable slider beverage container of my design; FIG. 2 is a bottom, rear, left perspective view thereof; FIG. 3 is a front elevation view thereof; FIG. 4 is a rear elevation view thereof; FIG. 5 is a left elevation view thereof; FIG. 6 is a right elevation view thereof; FIG. 7 is a top plan view thereof; FIG. 8 is a bottom plan view thereof; FIG. 9 is an environmental elevation view of the stackable beverage container in a stacked condition; FIG. 10 is an environmental top perspective view of the stackable beverage container in a stacked condition; FIG. 11 is an environmental top perspective view of the stackable beverage container in a stacked condition; and, FIG. 12 is an environmental top perspective view of the stackable beverage container in a stacked condition. The broken lines shown represent unclaimed subject matter and form no part of the claimed design.

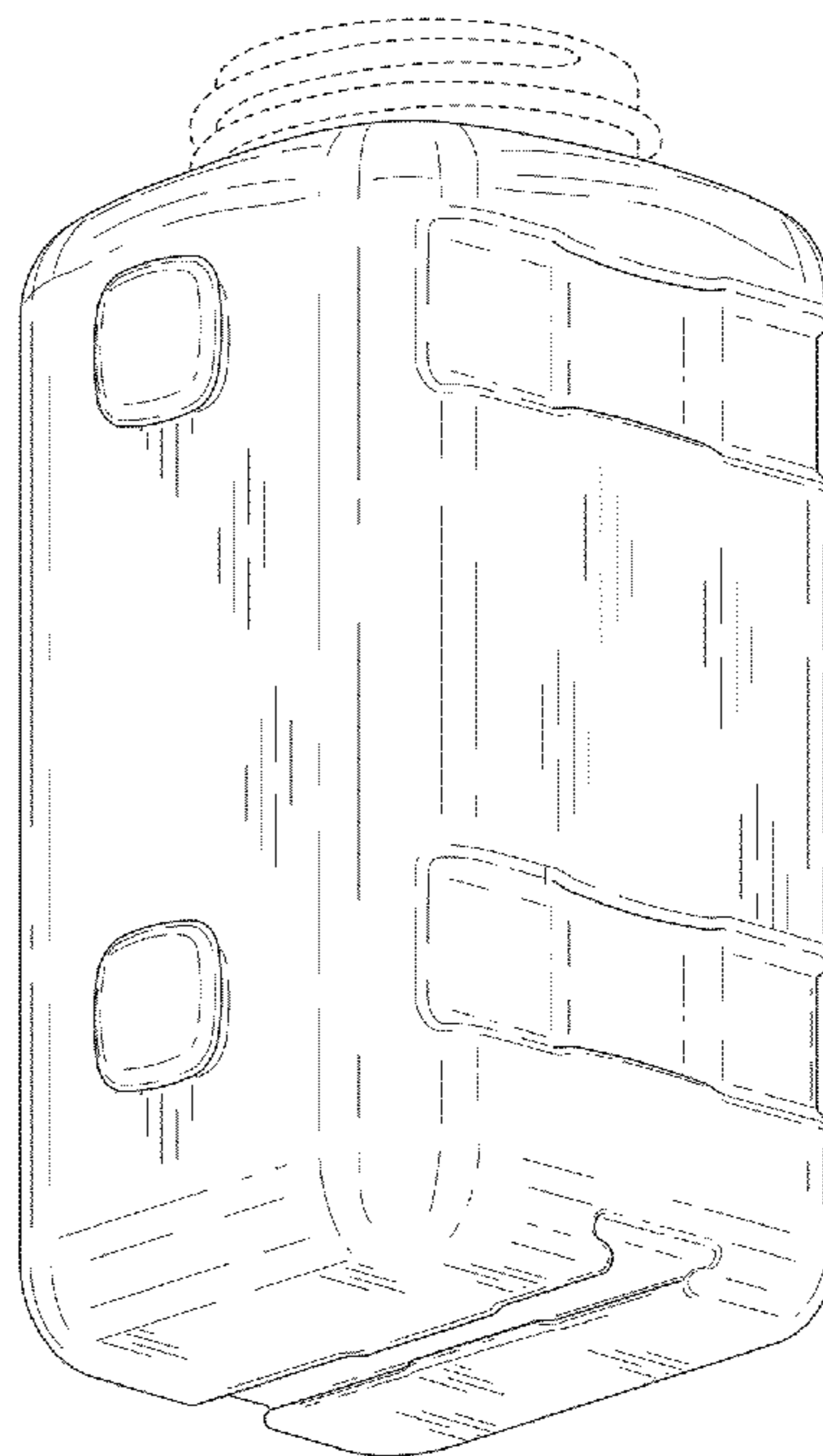
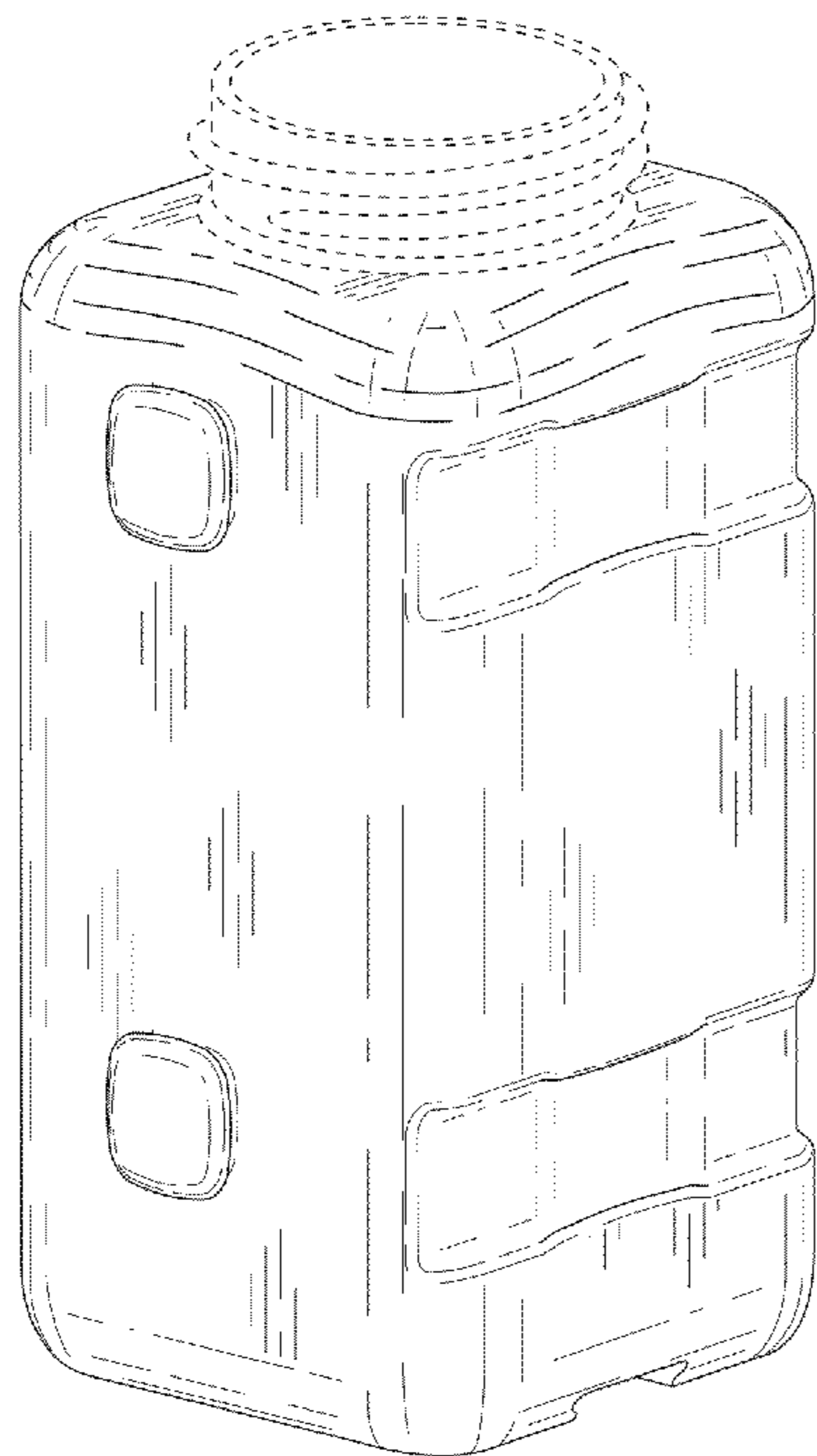
(58) **Field of Classification Search**
USPC D7/509–511, 515; D9/570, 564, 566, D9/573, 743, 745; 220/703, 592.16, 220/592.17; 222/143; D21/500; 446/71
See application file for complete search history.

(56) **References Cited**

U.S. PATENT DOCUMENTS

D81,679 S * 7/1930 Webber D9/566
D163,454 S * 5/1951 Fuerst D9/566
D212,350 S * 10/1968 Kelly D9/527
3,955,715 A * 5/1976 Topor 222/143
D333,978 S * 3/1993 Zutler D9/743
D383,981 S * 9/1997 Macauley et al. D9/520
D426,164 S * 6/2000 Gans et al. D9/541
D542,666 S * 5/2007 Trude D9/551

1 Claim, 7 Drawing Sheets



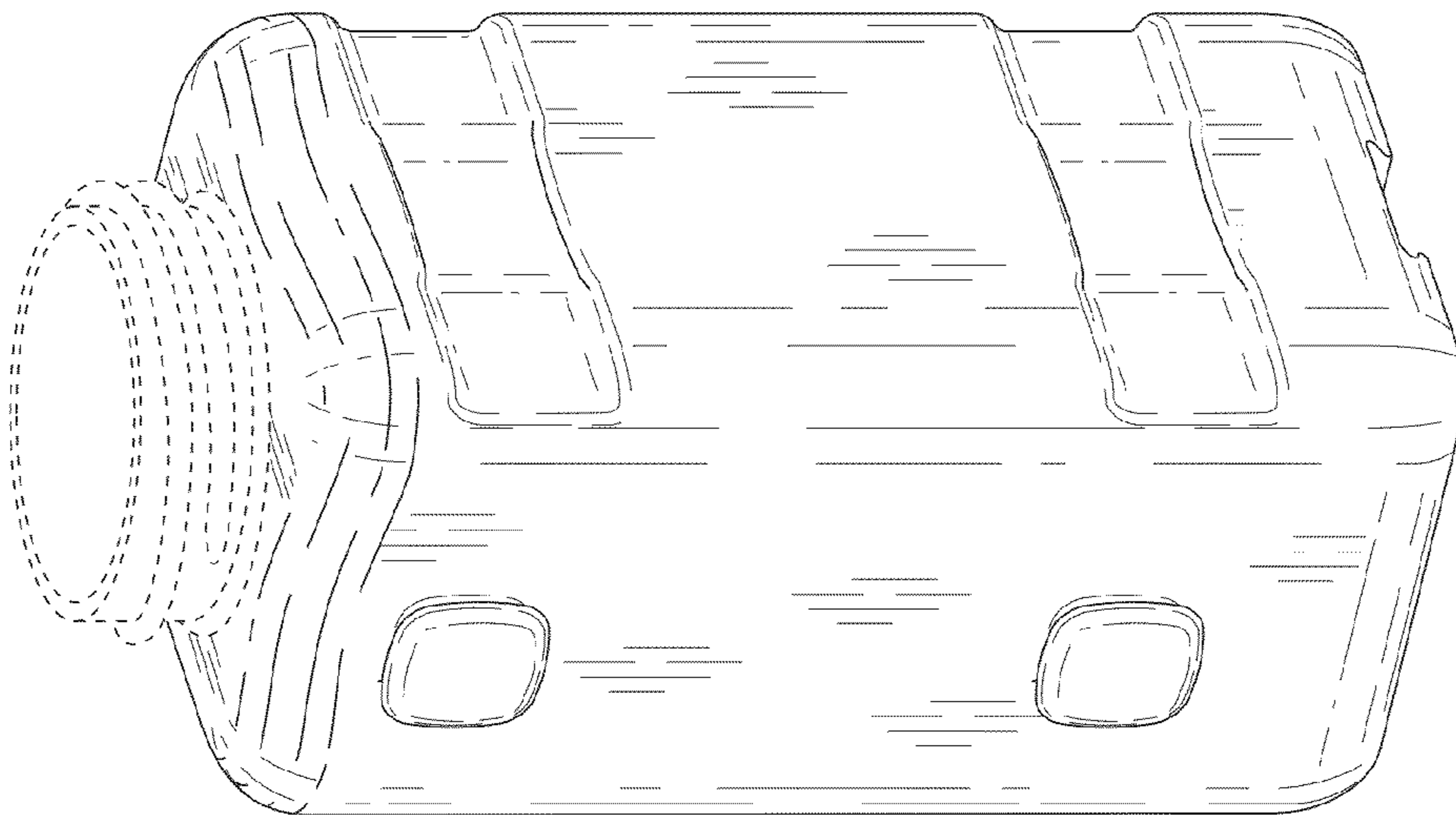


Fig. 1

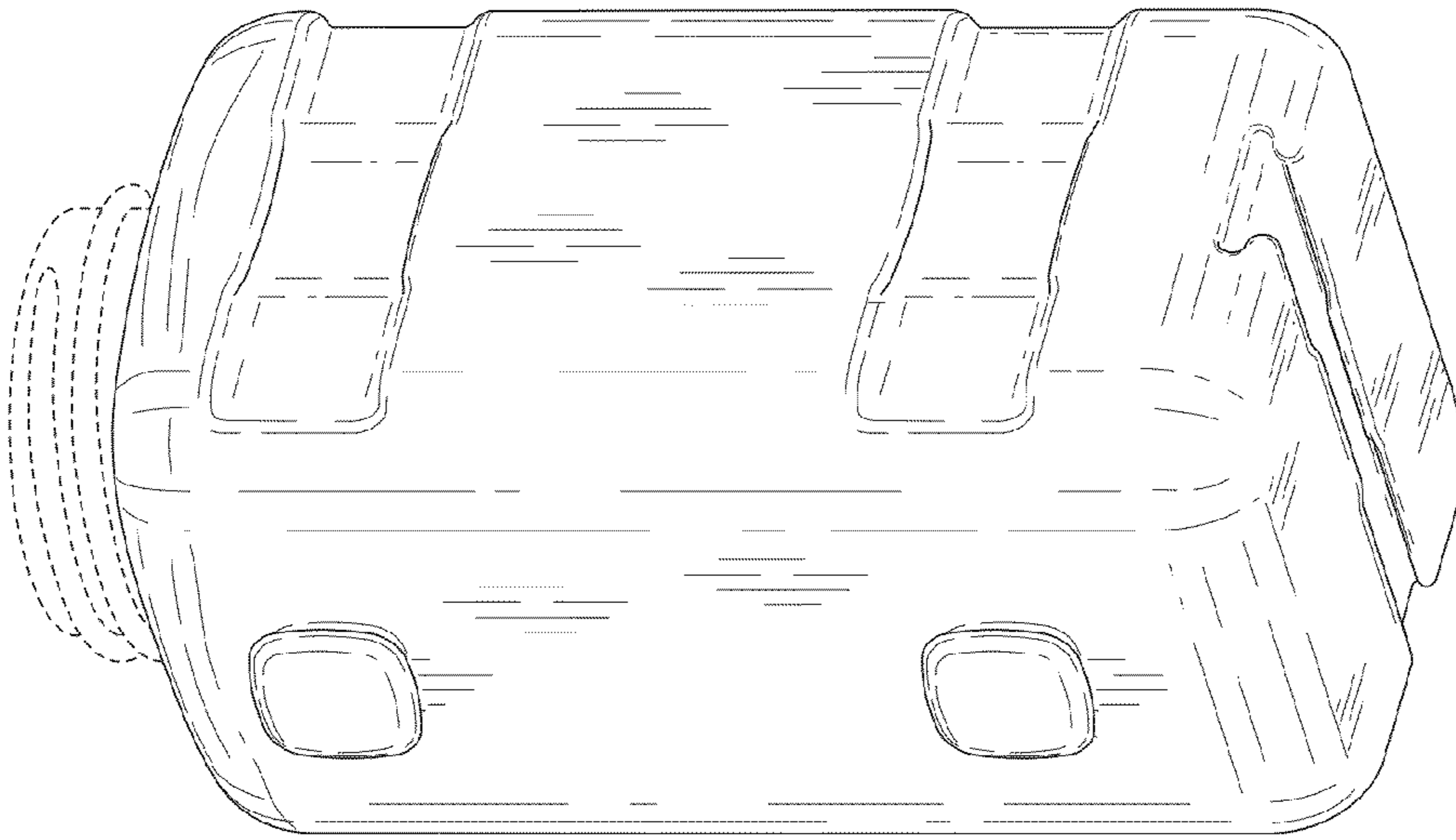


Fig. 2

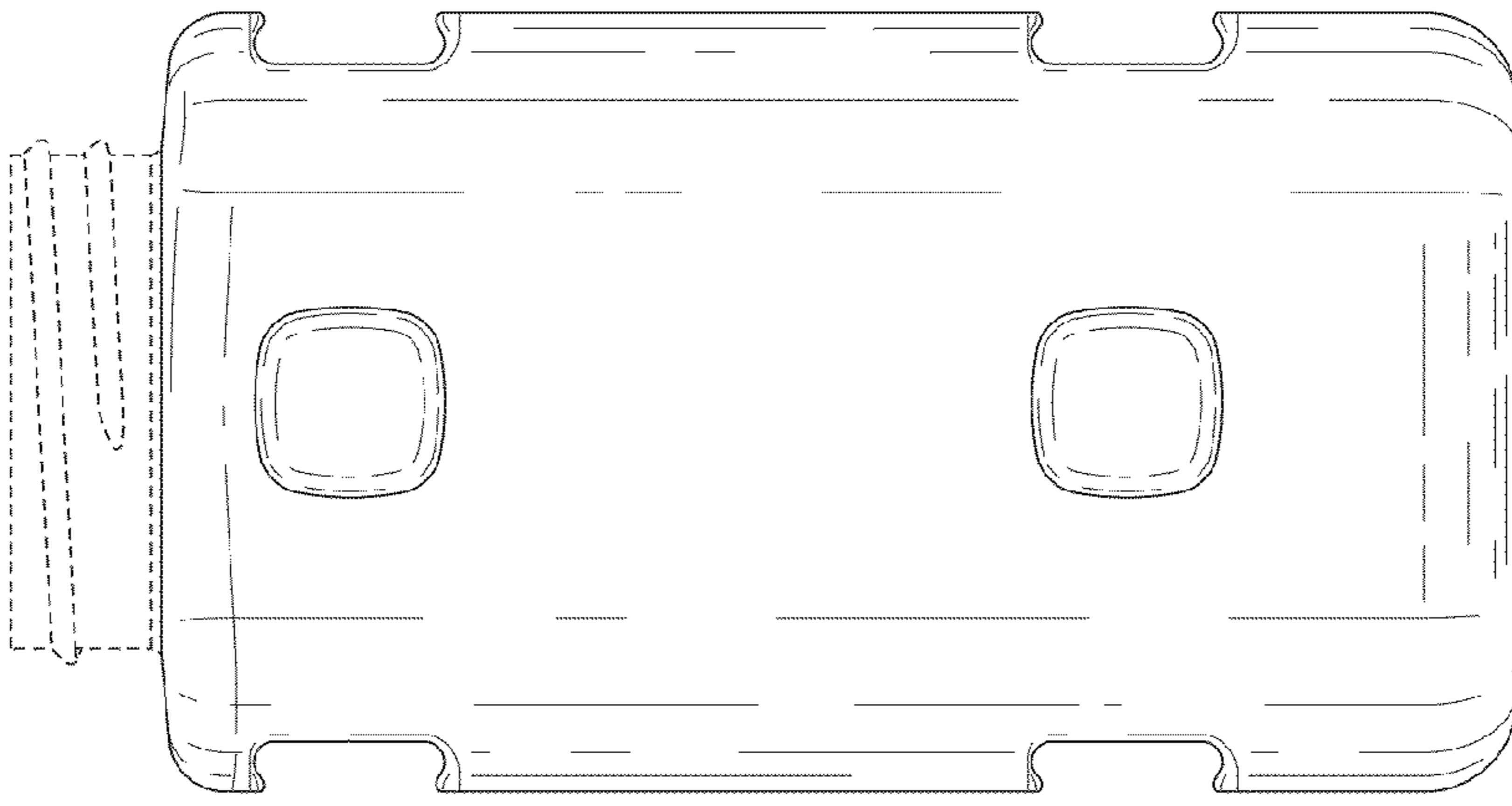


Fig. 3

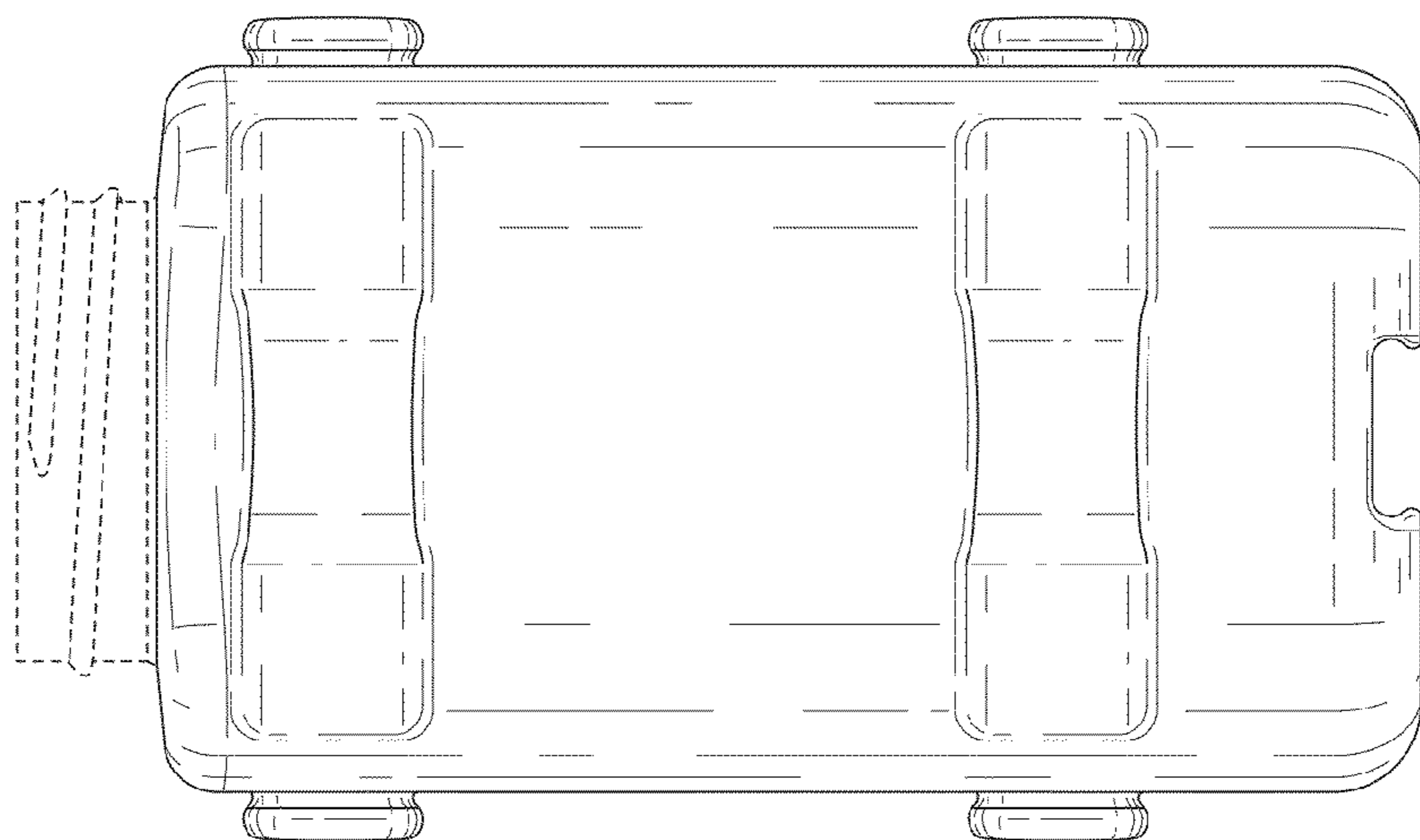


Fig. 4

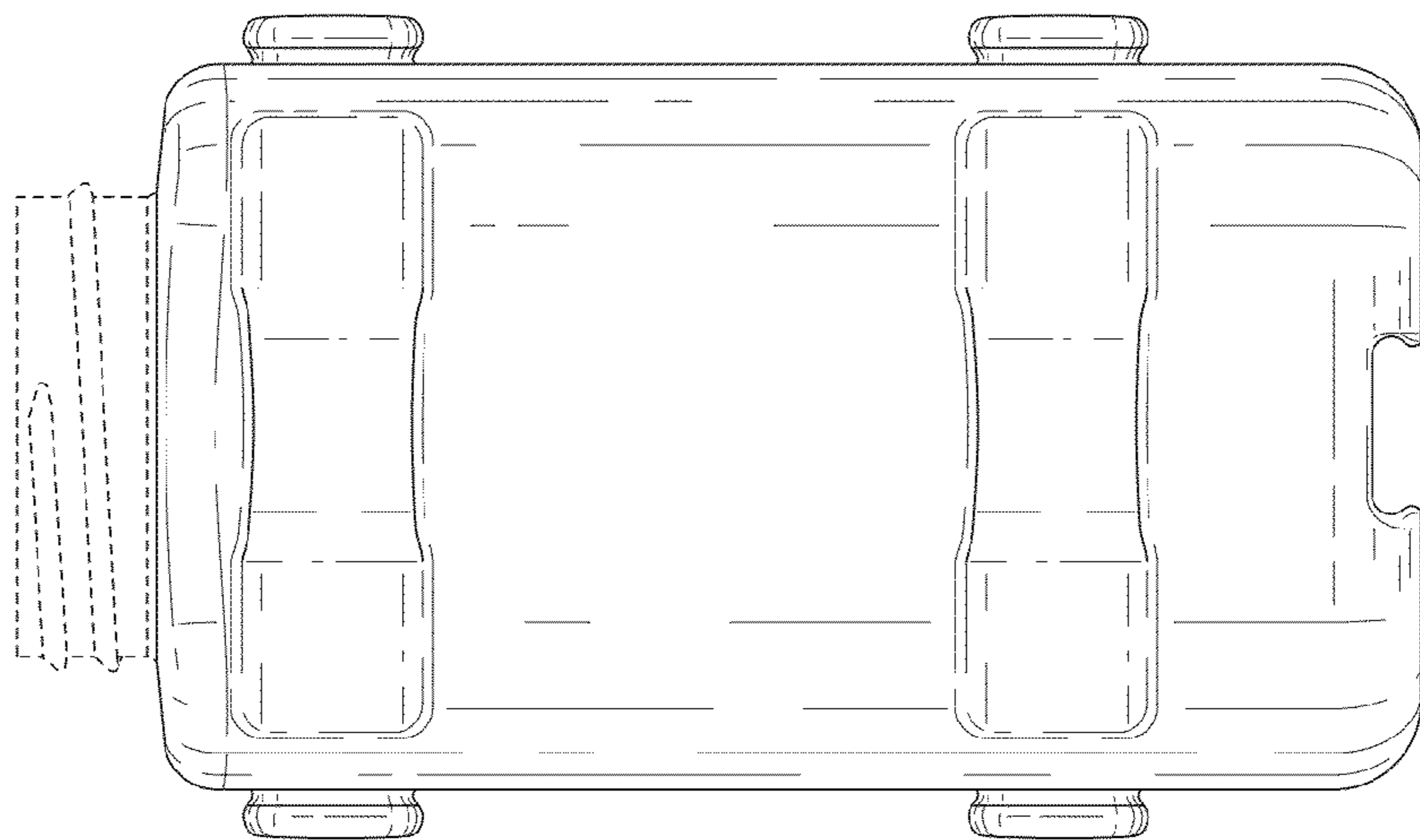


Fig. 5

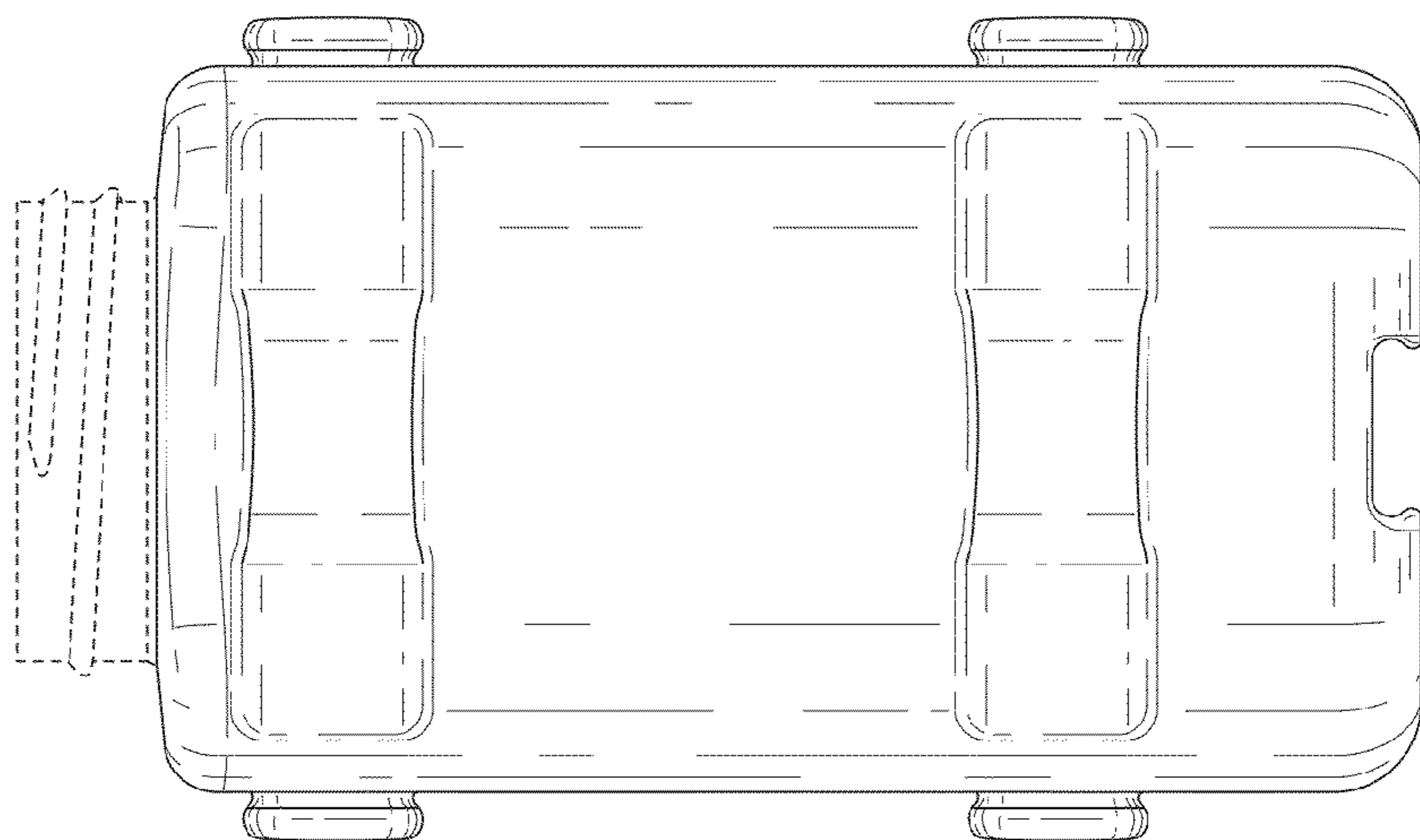


Fig. 6

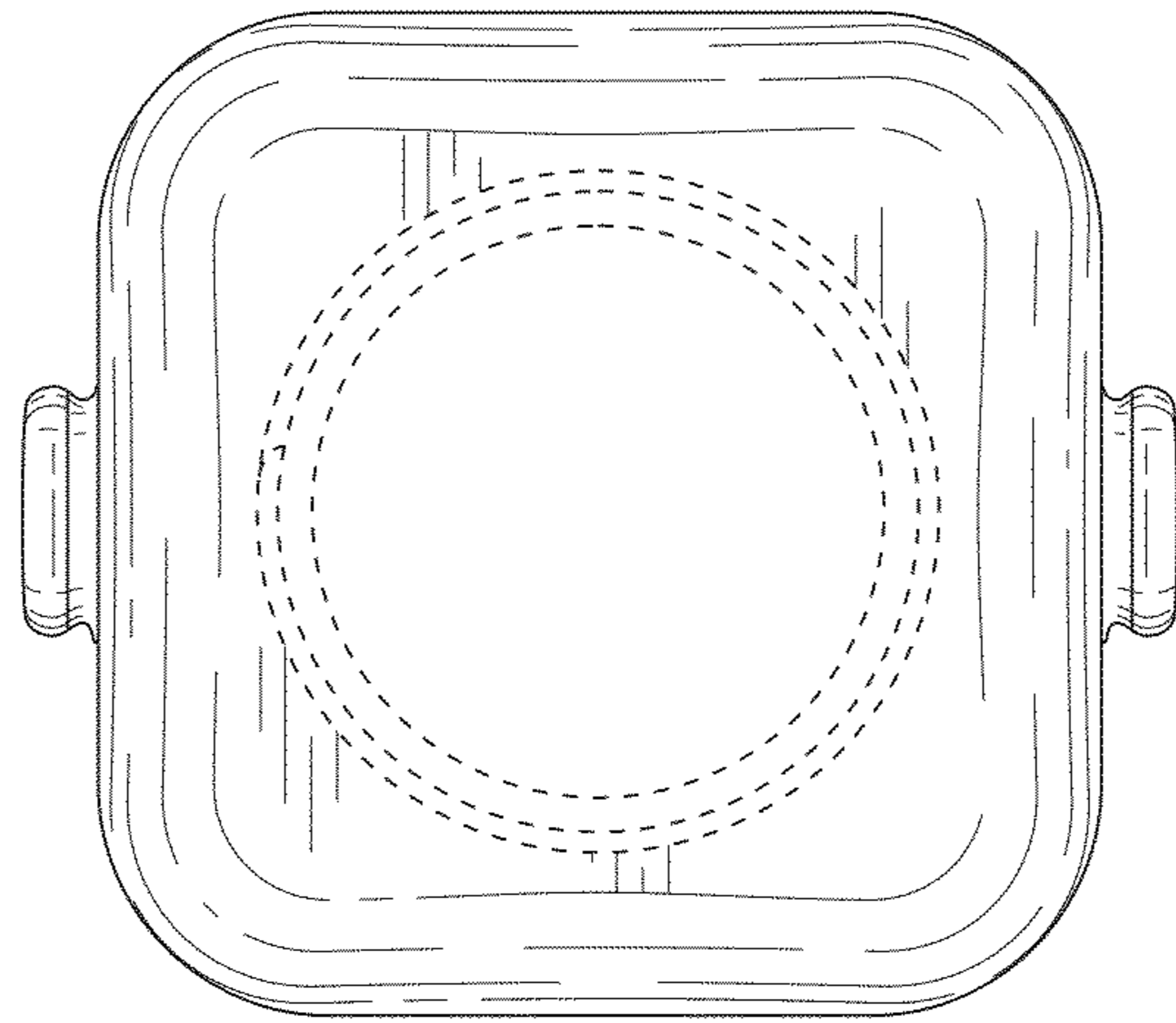


Fig. 7

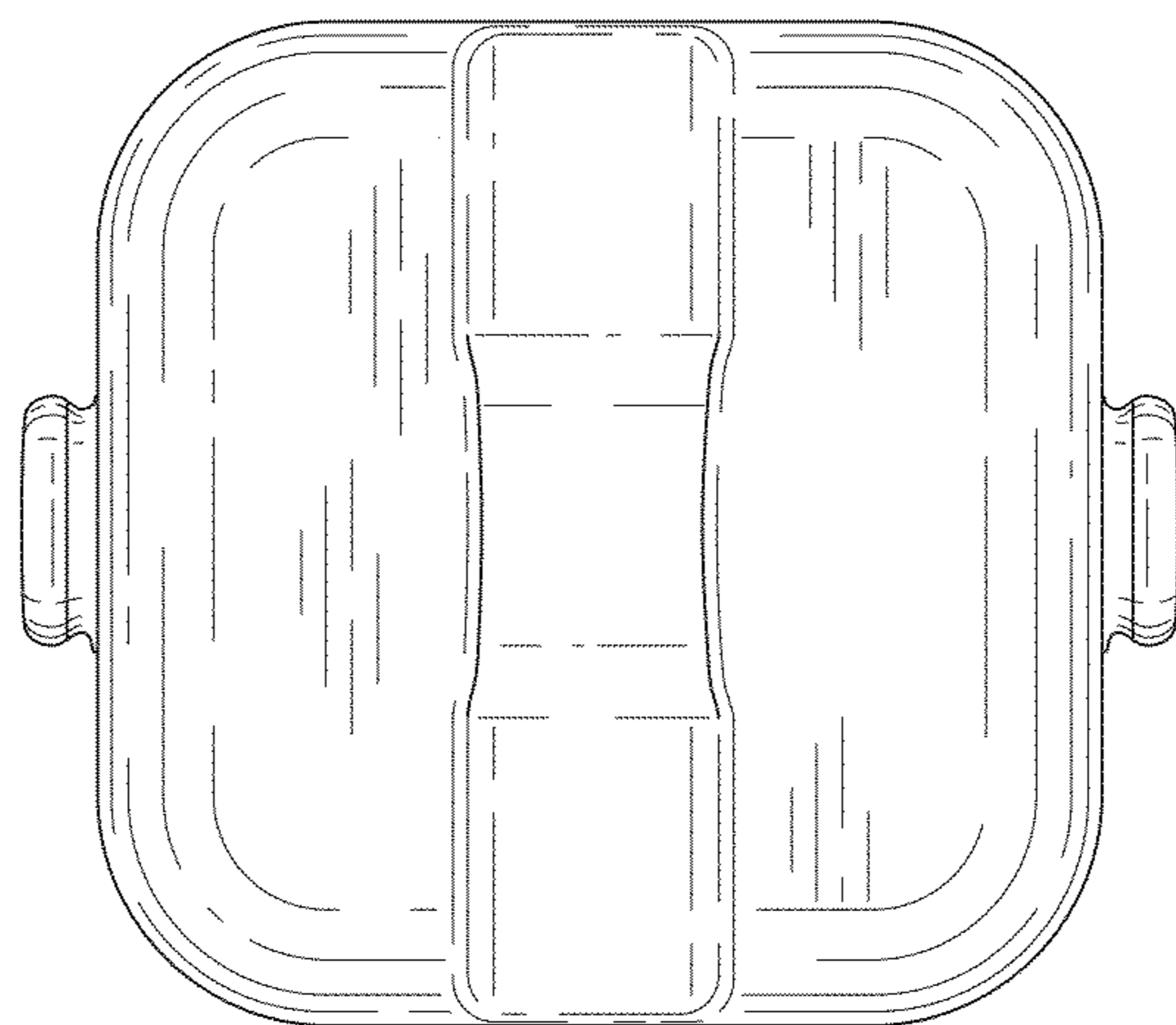


Fig. 8

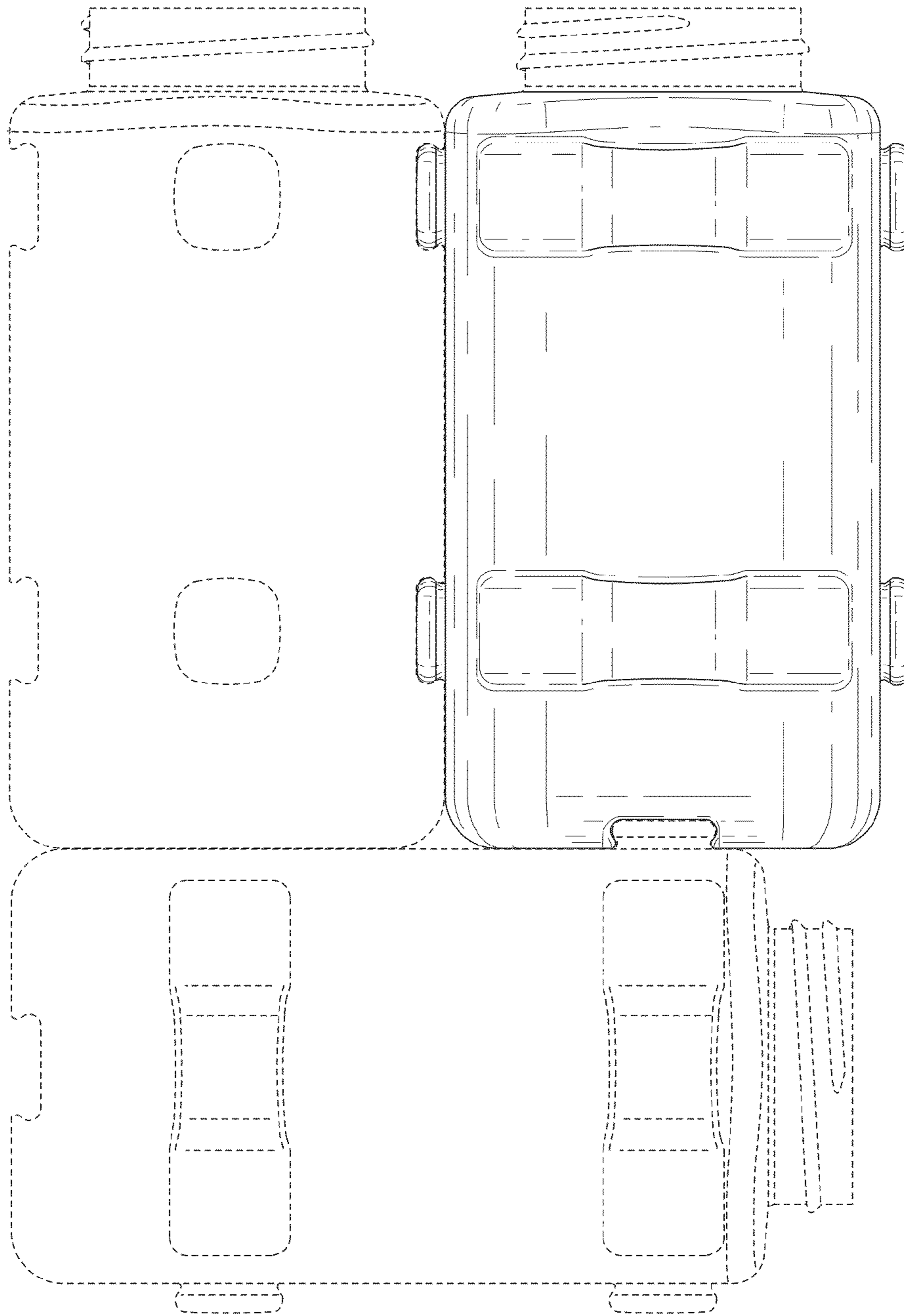


Fig. 9

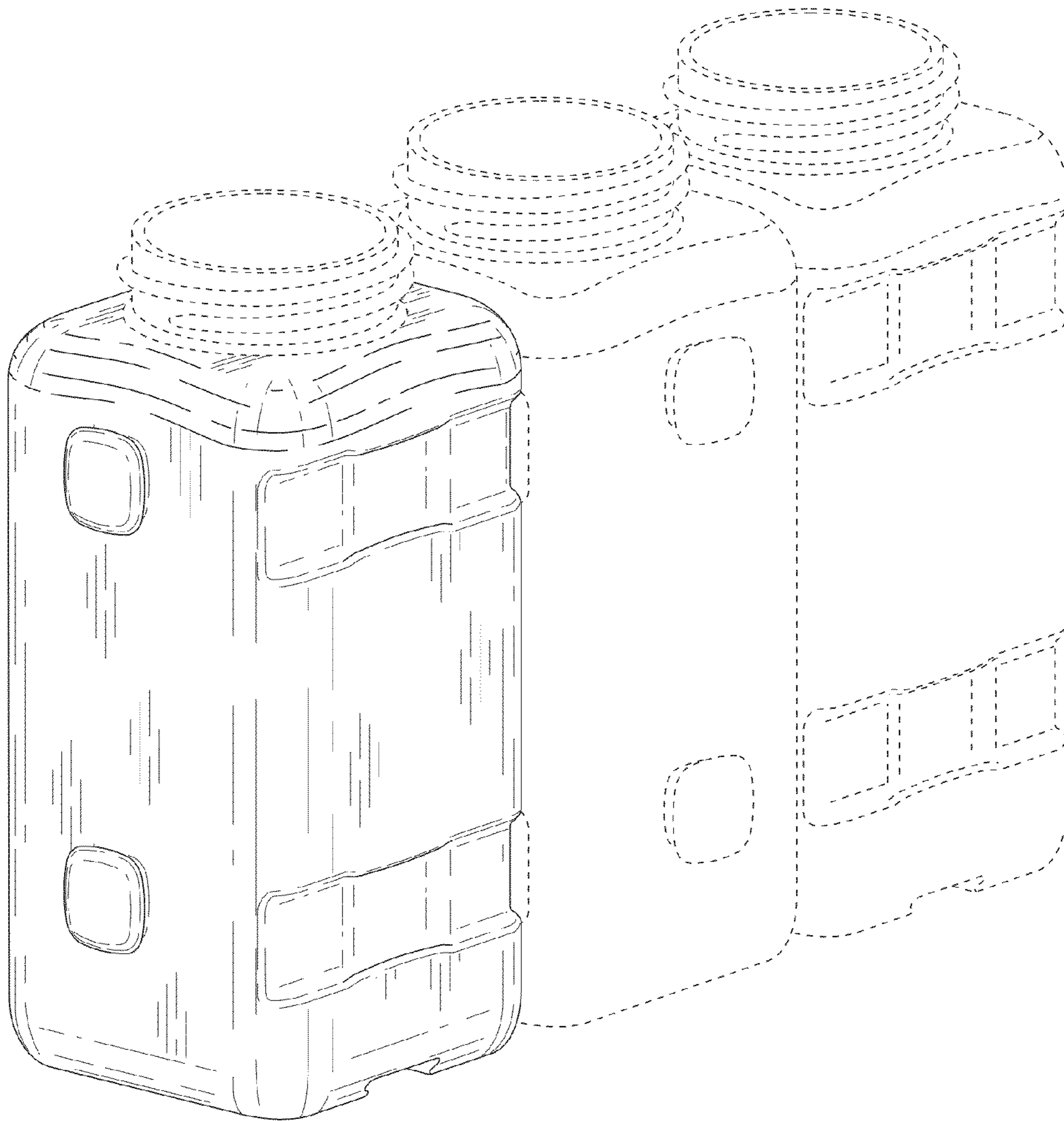


Fig. 10

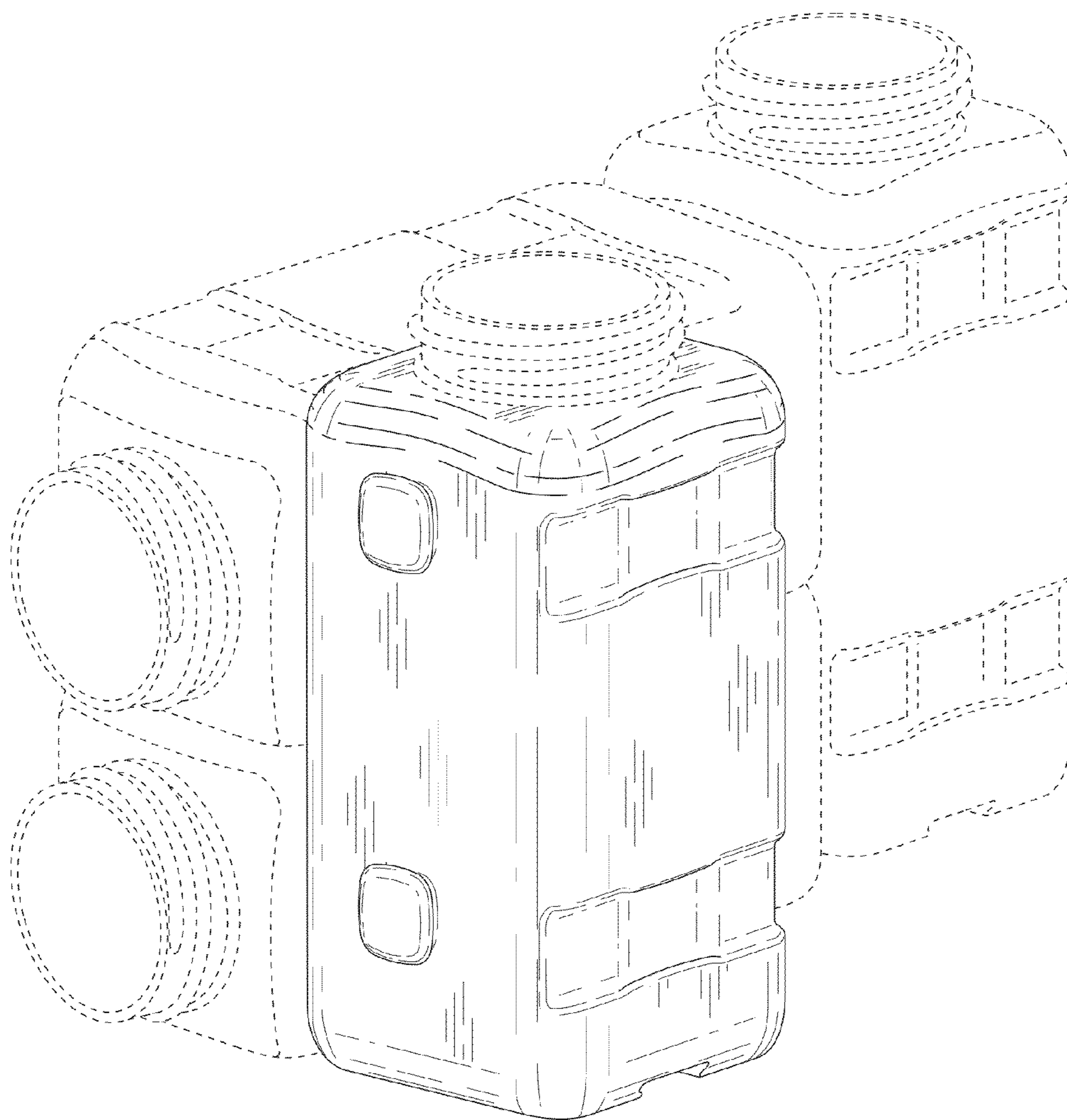


Fig. 11

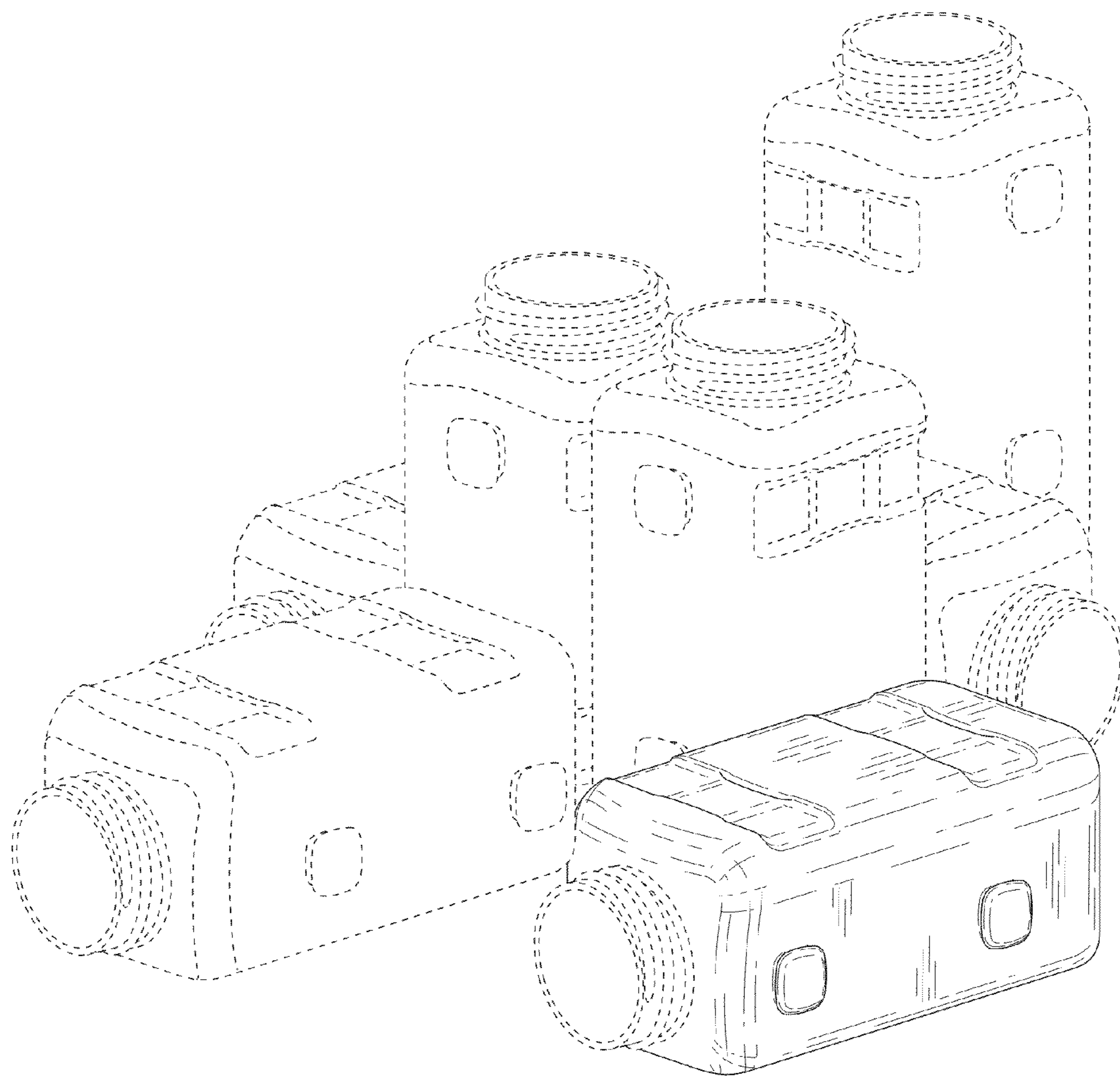


Fig. 12