



US00D715158S

(12) **United States Design Patent**  
**Chen**

(10) **Patent No.:** **US D715,158 S**

(45) **Date of Patent:** **\*\* Oct. 14, 2014**

(54) **PACKAGING BAG**

(71) Applicant: **Seng Seng Plastic Co., Ltd.**, Taipei (TW)

(72) Inventor: **Andy Chen**, Taipei (TW)

(73) Assignee: **Seng Seng Plastic Co., Ltd.**, Taipei (TW)

(\*\*) Term: **14 Years**

(21) Appl. No.: **29/466,969**

(22) Filed: **Sep. 13, 2013**

(51) **LOC (10) Cl.** ..... **09-05**

(52) **U.S. Cl.**  
USPC ..... **D9/707**

(58) **Field of Classification Search**

USPC ..... D9/702-714, 499, 442-443, 434-435, D9/415; D24/118, 121, 207; 426/106; 383/61.1, 42, 119-120, 106-108, 103, 383/127, 114, 907; D3/203.1, 303, 203.2; D27/183, 185, 189; 222/92, 107, 215; 220/495.03; 206/406, 811, 484, 260, 206/527, 248; 428/35.2

See application file for complete search history.

(56) **References Cited**

**U.S. PATENT DOCUMENTS**

3,124,298 A \* 3/1964 Repko ..... 383/207  
D312,208 S \* 11/1990 Sorkin ..... D9/720

D451,794 S \* 12/2001 Ichikawa ..... D9/709  
D472,139 S \* 3/2003 Rizzuto, Jr. .... D9/709  
D472,141 S \* 3/2003 Buschkiel et al. .... D9/734  
D482,966 S \* 12/2003 Booth et al. .... D9/709  
D499,021 S \* 11/2004 Tiilikka et al. .... D9/422  
D504,812 S \* 5/2005 Keberlein et al. .... D9/416  
D563,218 S \* 3/2008 DeMalsche et al. .... D9/418  
D689,298 S \* 9/2013 Andochick ..... D6/518

\* cited by examiner

*Primary Examiner* — Abraham Bahta

(74) *Attorney, Agent, or Firm* — Birch, Stewart, Kolasch & Birch, LLP

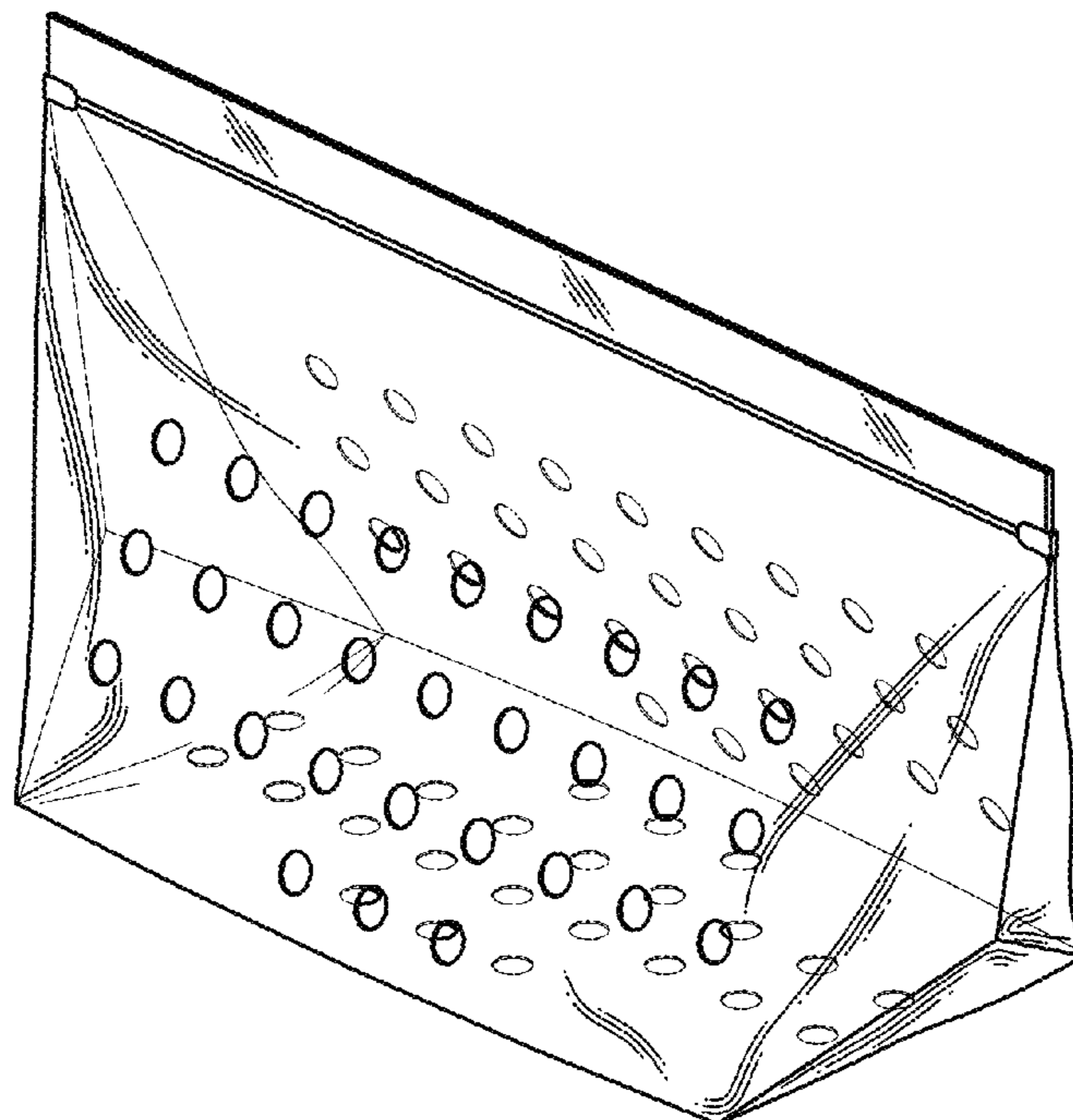
(57) **CLAIM**

The ornamental design for a packaging bag, as shown and described.

**DESCRIPTION**

FIG. 1 is a perspective view of a packaging bag.  
FIG. 2 is a front view of the packaging bag shown in FIG. 1.  
FIG. 3 is a rear view of the packaging bag shown in FIG. 1.  
FIG. 4 is a left side view of the packaging bag shown in FIG. 1.  
FIG. 5 is a right side view of the packaging bag shown in FIG. 1.  
FIG. 6 is a top view of the packaging bag shown in FIG. 1.  
FIG. 7 is a bottom view of the packaging bag shown in FIG. 1; and,  
FIG. 8 is a perspective view illustrating a folding status of the packaging bag shown in FIG. 1.

**1 Claim, 5 Drawing Sheets**



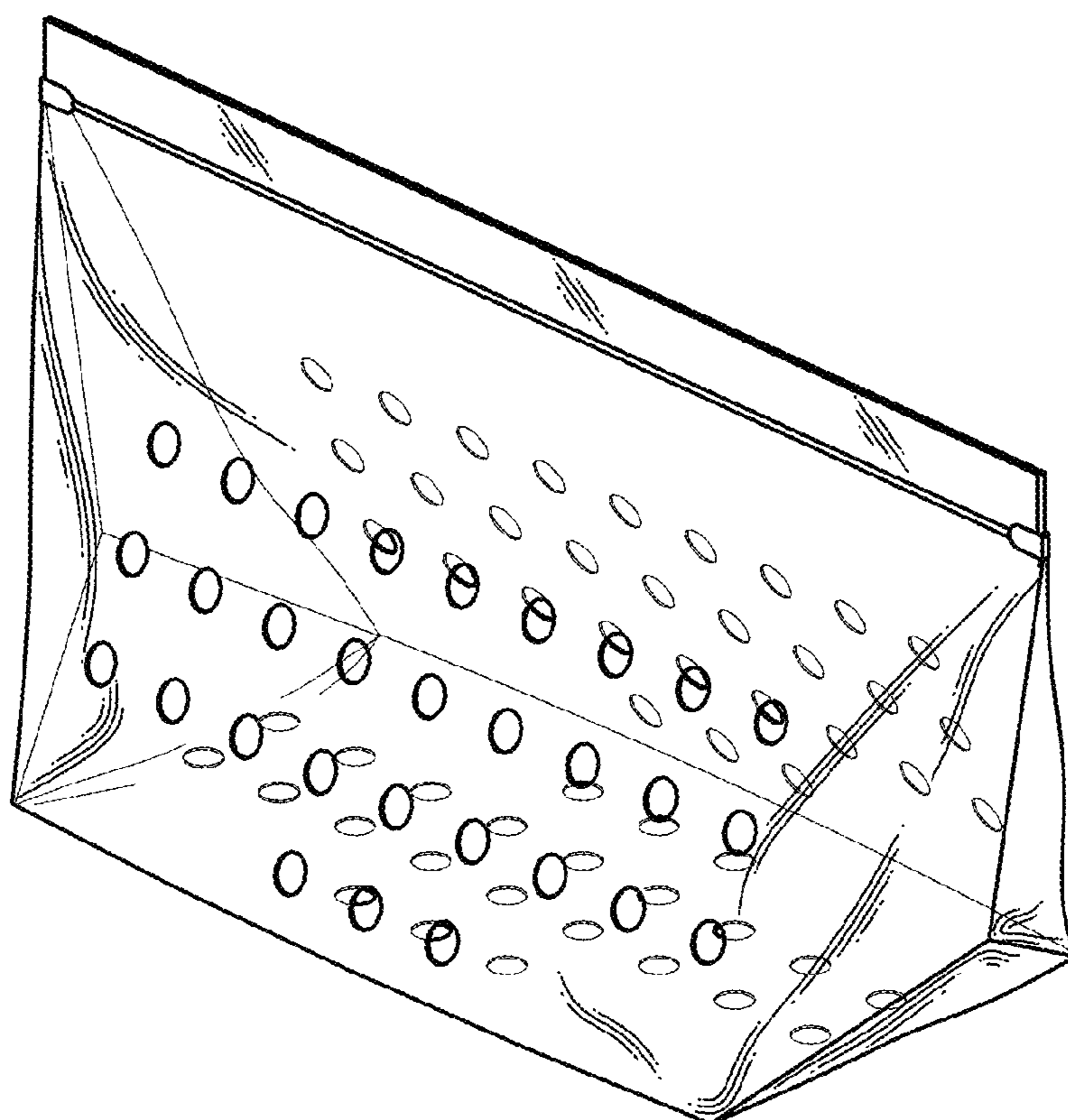


FIG.1

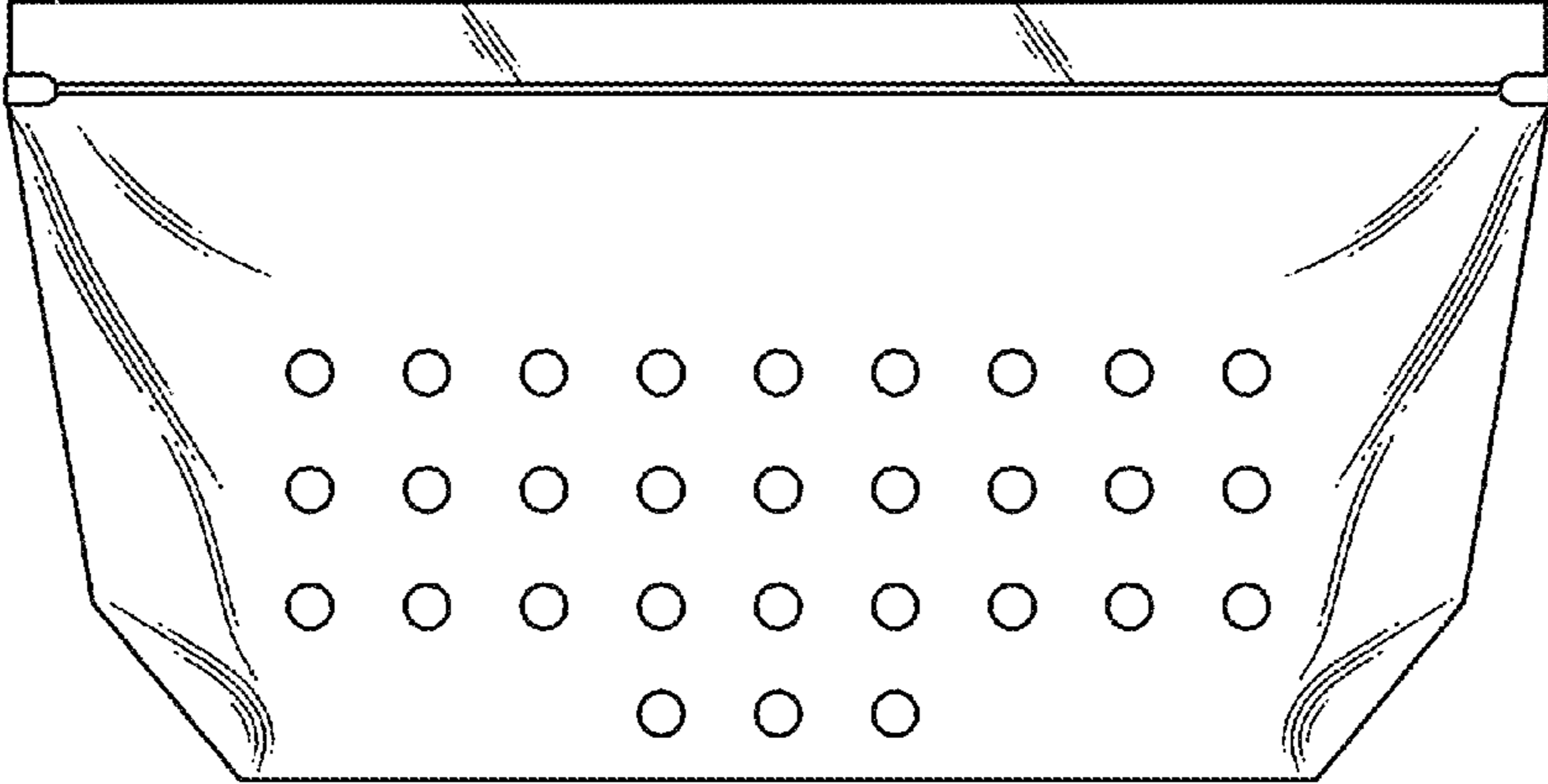


FIG. 2

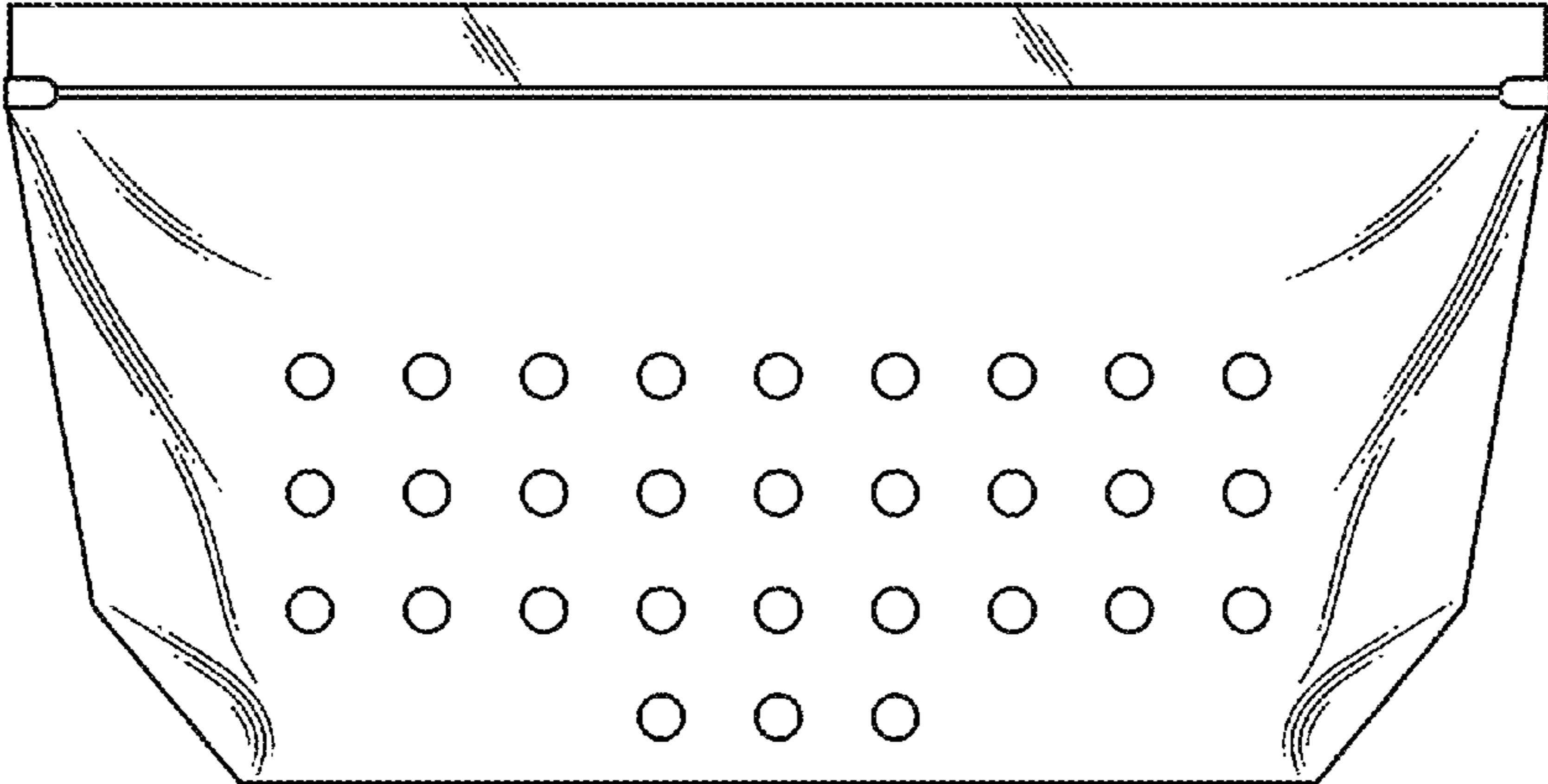


FIG. 3

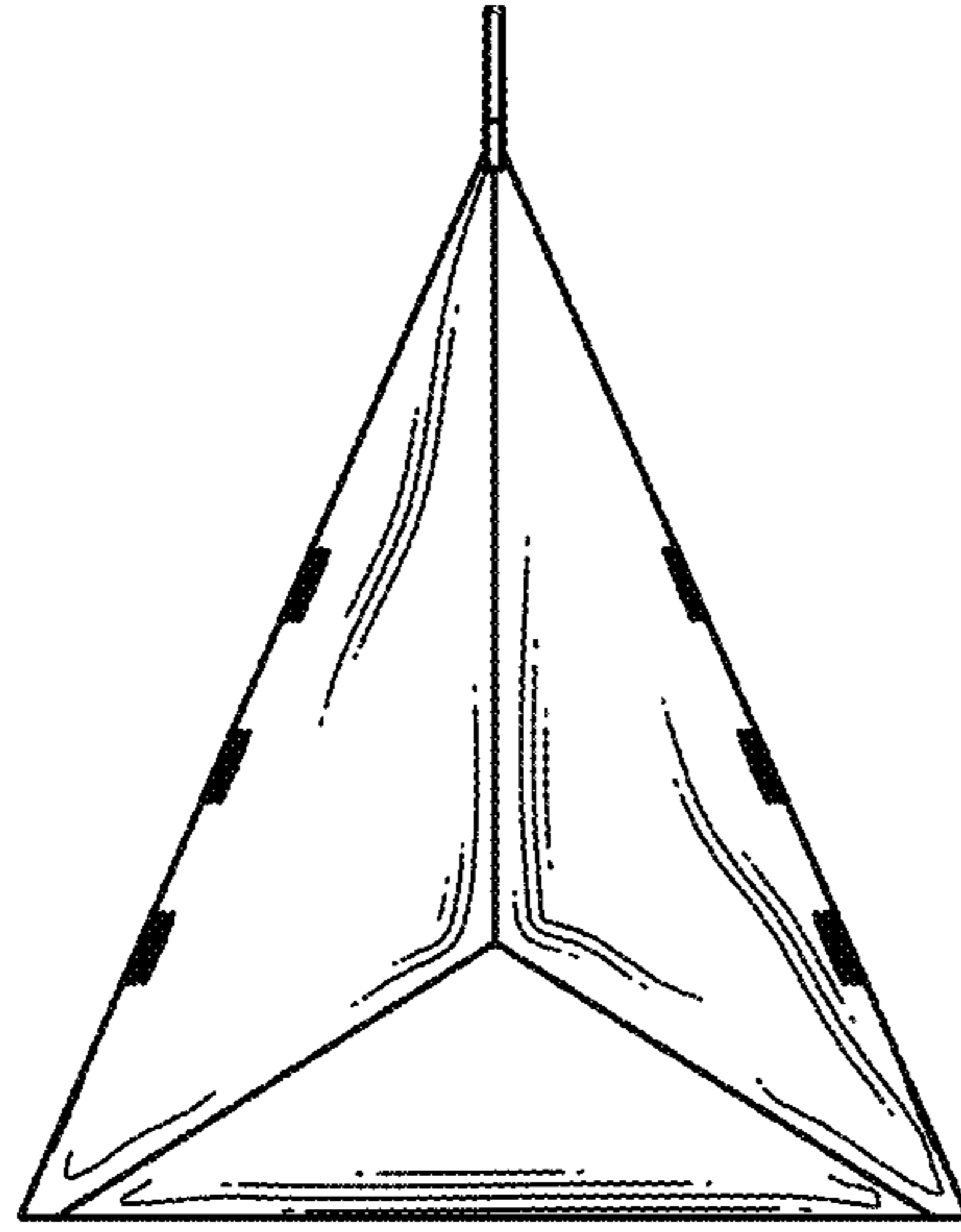


FIG. 4

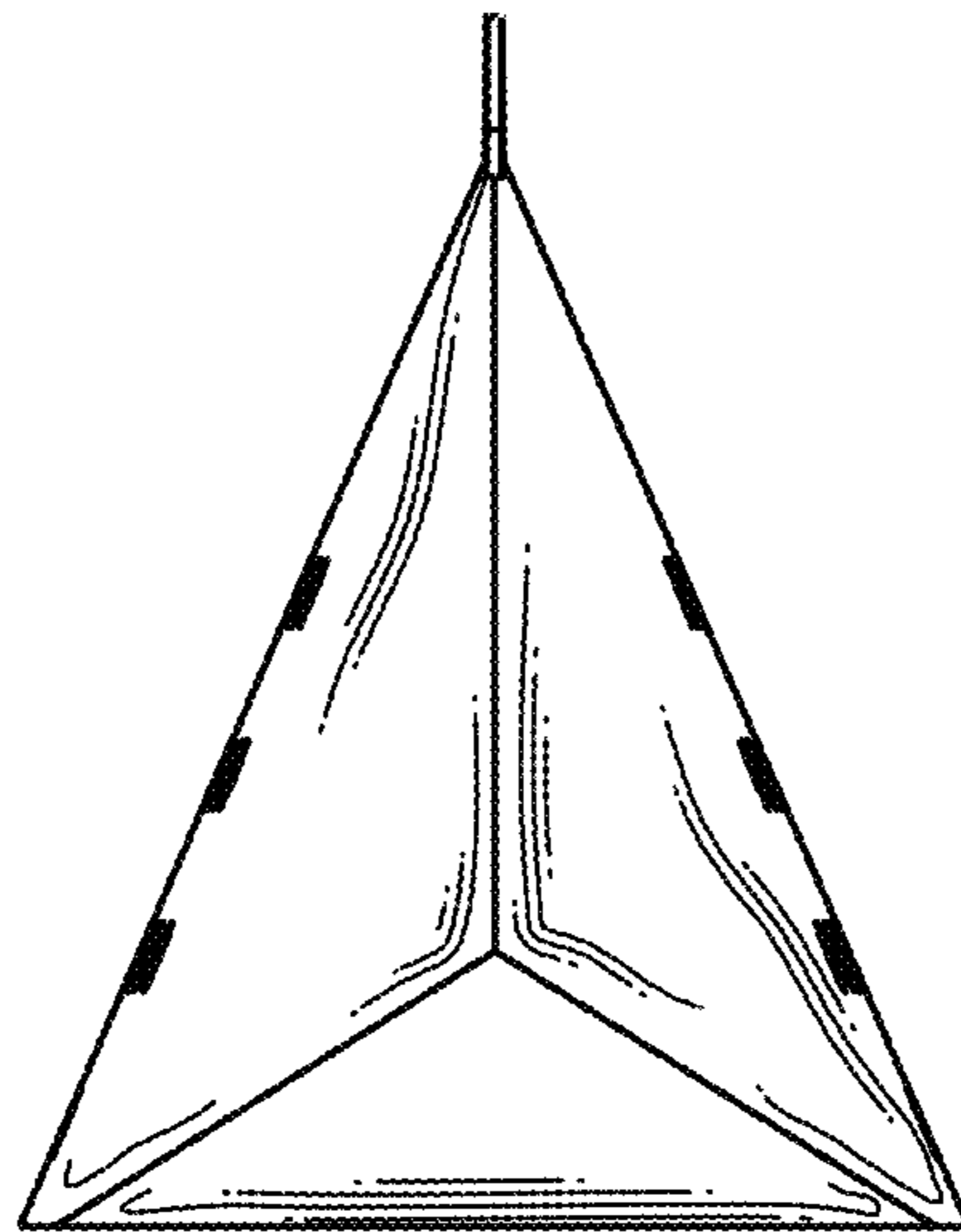


FIG. 5

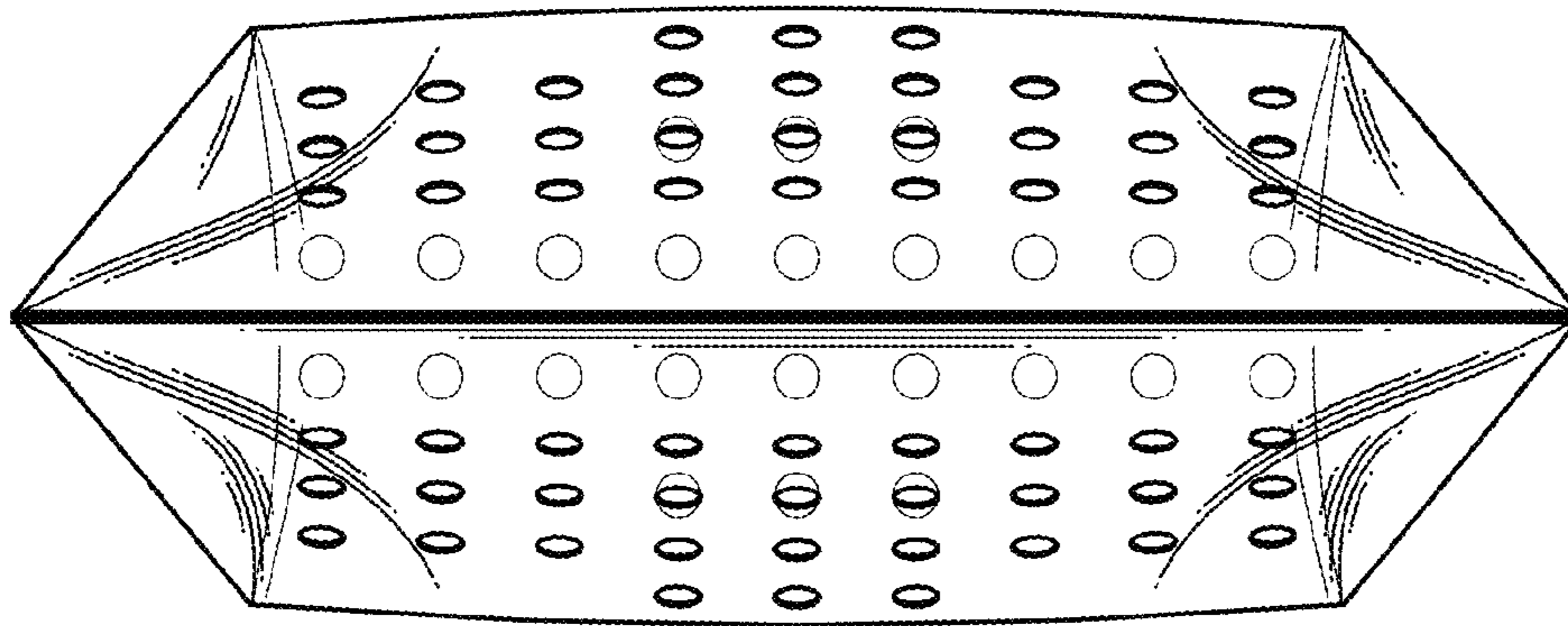


FIG. 6

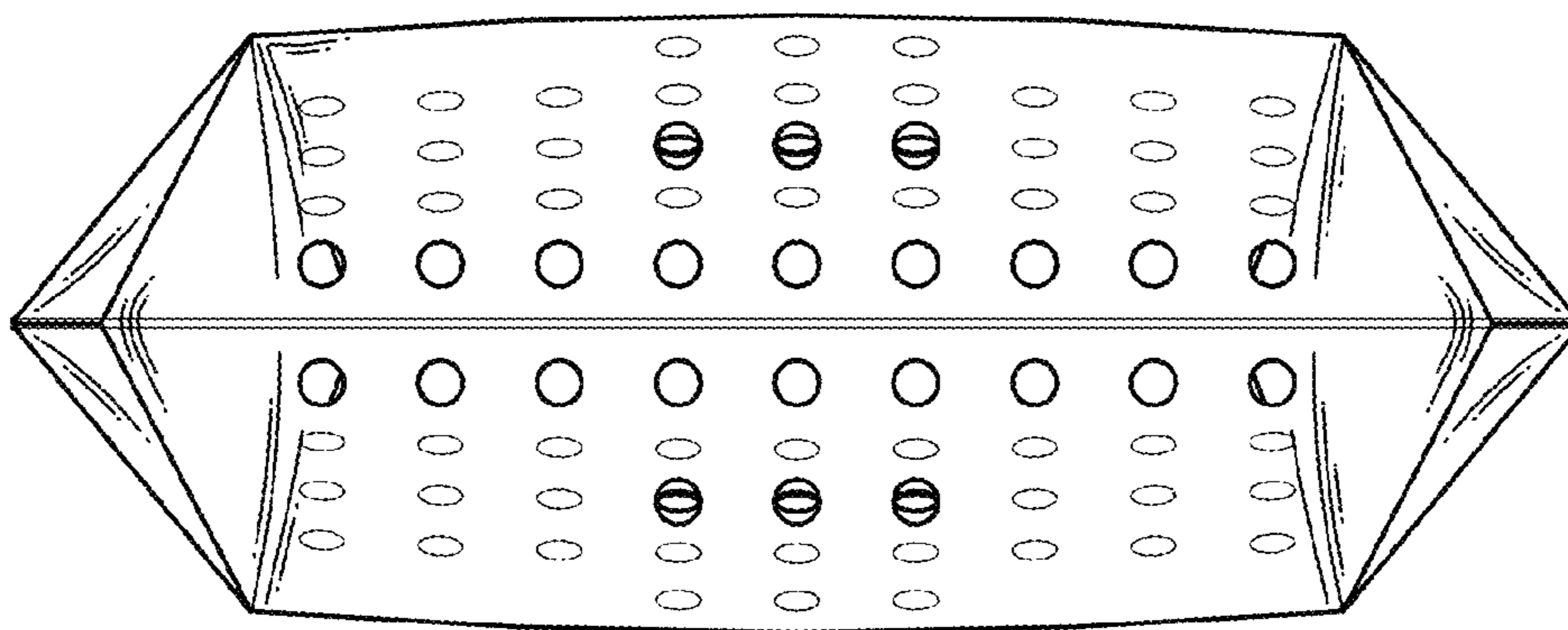


FIG. 7

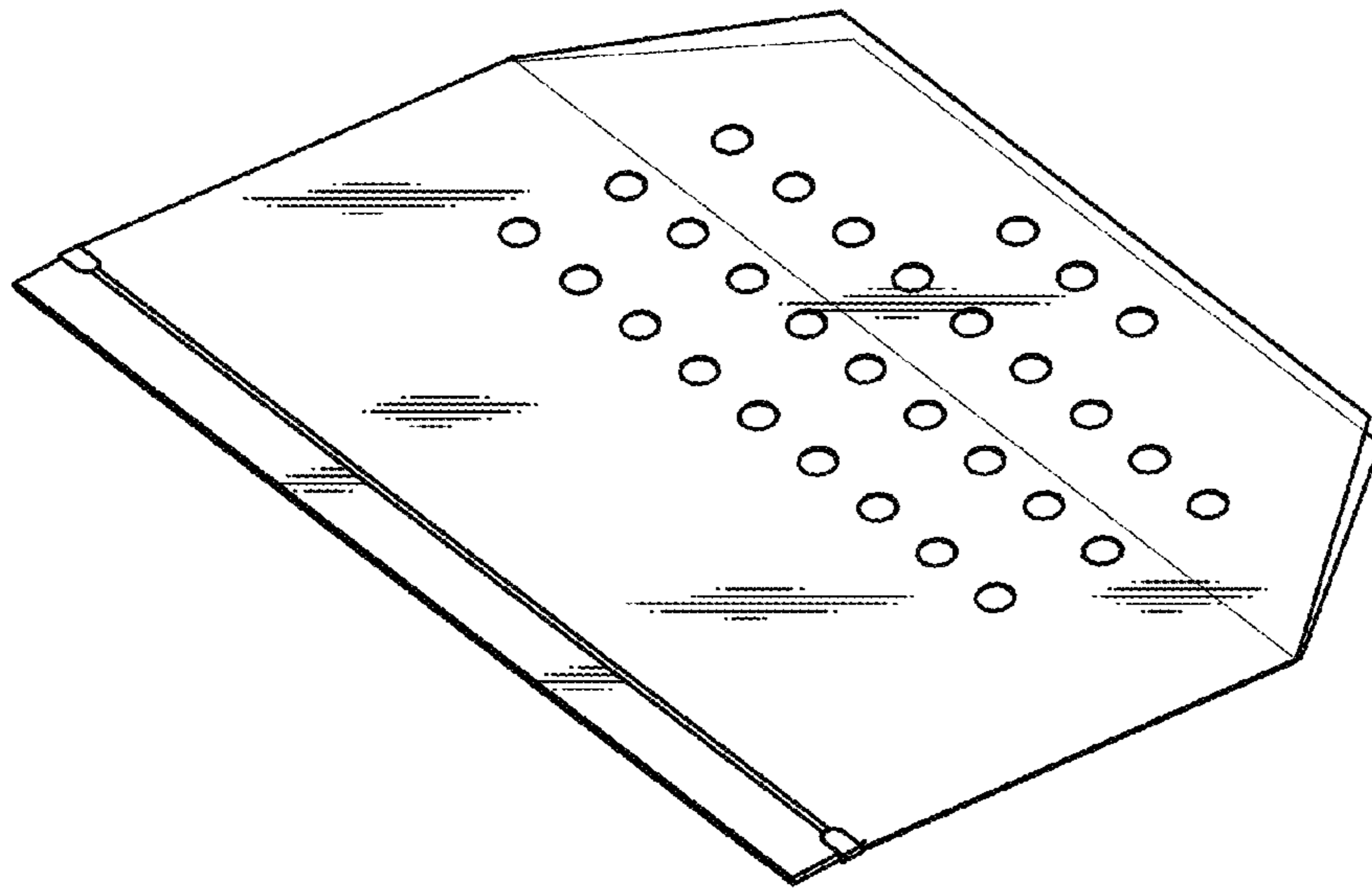


FIG.8