



US00D715153S

(12) **United States Design Patent**  
**Hansen**

(10) **Patent No.:** **US D715,153 S**

(45) **Date of Patent:** **\*\* Oct. 14, 2014**

(54) **BOTTLE**

(71) Applicant: **Thomas Fisker Hansen**, Skagen (DK)

(72) Inventor: **Thomas Fisker Hansen**, Skagen (DK)

(73) Assignee: **FF Skagen A/S**, Skagen (DK)

(\*\*) Term: **14 Years**

(21) Appl. No.: **29/437,745**

(22) Filed: **Nov. 20, 2012**

(51) **LOC (10) Cl.** ..... **09-01**

(52) **U.S. Cl.**  
USPC ..... **D9/685**

(58) **Field of Classification Search**  
CPC ..... B65D 2203/00; B65D 1/0223; G09F  
2003/0273  
USPC ..... D9/682-694, 715, 719, 516, 517, 526,  
D9/537-575, 434-436, 447, 448, 606, 652,  
D9/667, 520; 215/379, 382; 220/669, 675;  
222/182, 183, 631, 635, 321.6-321.9,  
222/372, 373, 379, 383.1, 386, 401, 402.11,  
222/402.13, 402.15  
See application file for complete search history.

(56) **References Cited**

**U.S. PATENT DOCUMENTS**

D244,531 S *	5/1977	Klingaman	.....	D23/225
D267,856 S *	2/1983	Smith	.....	D7/313
D314,507 S *	2/1991	Brabeck et al.	.....	D9/685
D338,616 S *	8/1993	MacDonald et al.	.....	D9/600
D347,788 S *	6/1994	Steijns et al.	.....	D9/685
5,421,483 A *	6/1995	Parise	.....	222/82
5,657,910 A *	8/1997	Keyser	.....	222/382
D386,401 S *	11/1997	Prestia et al.	.....	D9/552

6,053,372 A *	4/2000	Abedi	.....	222/383.1
D438,117 S *	2/2001	Shefler et al.	.....	D9/516
D444,700 S *	7/2001	Ebert	.....	D9/685
D451,379 S *	12/2001	Tang	.....	D9/667
D530,217 S *	10/2006	Krause	.....	D9/652
D550,563 S *	9/2007	Lundberg	.....	D9/552
D567,105 S *	4/2008	Trollope et al.	.....	D9/652
D578,408 S *	10/2008	Lepoitevin	.....	D9/668
D579,337 S *	10/2008	Druart et al.	.....	D9/538
D584,958 S *	1/2009	Schiesser	.....	D9/624
D588,929 S *	3/2009	Boigeol et al.	.....	D9/691
D605,521 S *	12/2009	Mongeon et al.	.....	D9/516
D610,914 S *	3/2010	Taylor et al.	.....	D9/600
D641,251 S *	7/2011	Pearson et al.	.....	D9/685
D649,062 S *	11/2011	Handy	.....	D9/560
D671,010 S *	11/2012	Shefler	.....	D9/652
D687,314 S *	8/2013	Armani	.....	D9/652
D694,120 S *	11/2013	Baussion	.....	D9/652
8,701,936 B2 *	4/2014	Thomas et al.	.....	222/129
2007/0034629 A1 *	2/2007	Mazzarolo	.....	220/254.3
2009/0266723 A1 *	10/2009	Yahiel	.....	206/223

\* cited by examiner

*Primary Examiner* — Catherine Tuttle

(74) *Attorney, Agent, or Firm* — Arent Fox LLP

(57) **CLAIM**

The ornamental design for a bottle, as shown and described.

**DESCRIPTION**

FIG. 1 is a perspective view of a bottle showing my new design;

FIG. 2 is a front view of the design shown in FIG. 1;

FIG. 3 is a back view of the design shown in FIG. 1;

FIG. 4 is a left side view of the design shown in FIG. 1;

FIG. 5 is a right side view of the design shown in FIG. 1;

FIG. 6 is a top view of the design shown in FIG. 1; and

FIG. 7 is a bottom view of the design shown in FIG. 1.

**1 Claim, 7 Drawing Sheets**



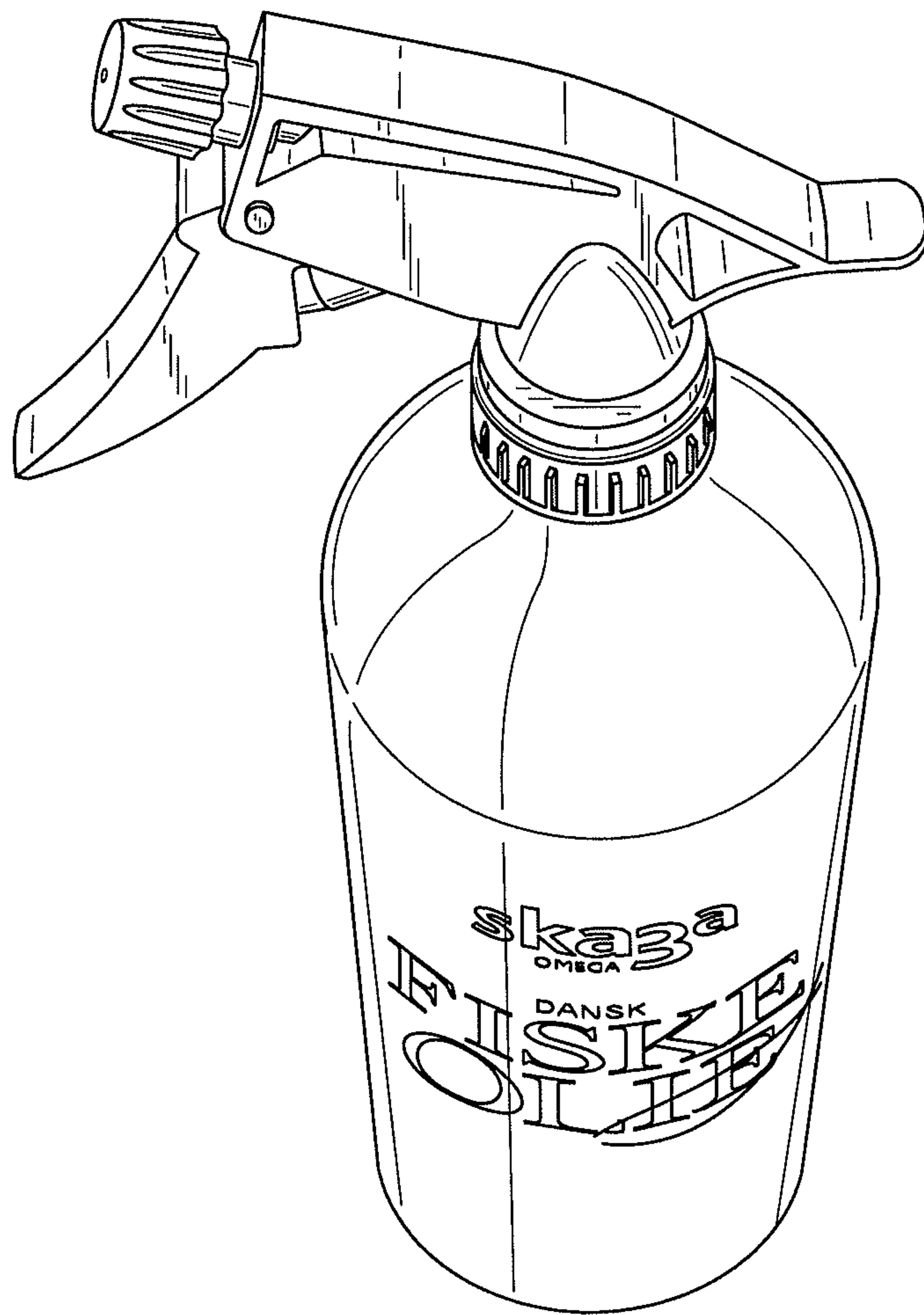


FIG.1



FIG.2



FIG.3

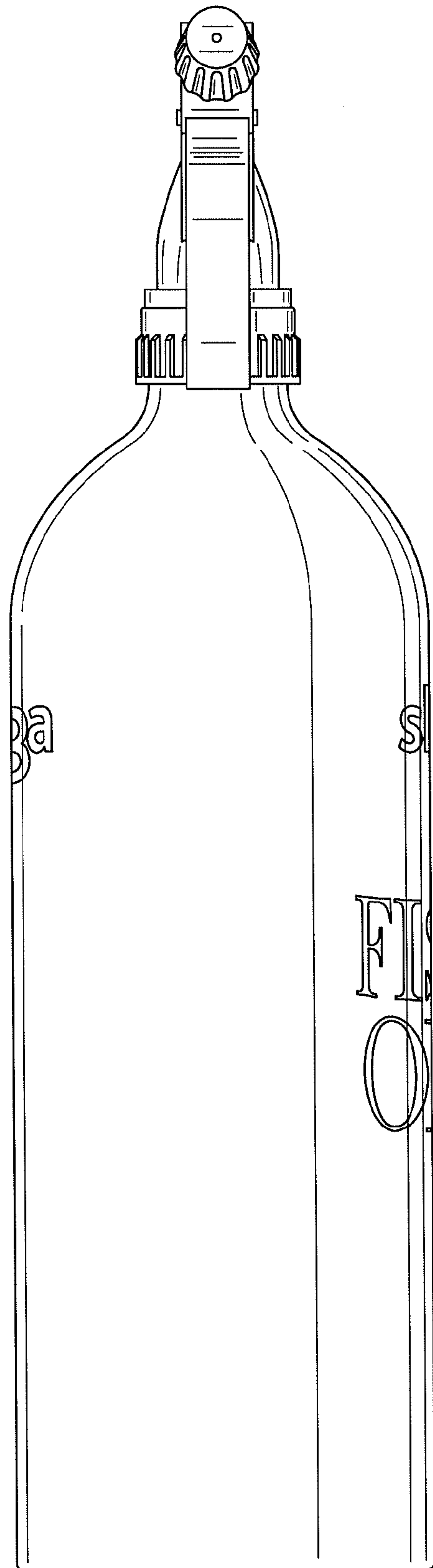


FIG.4

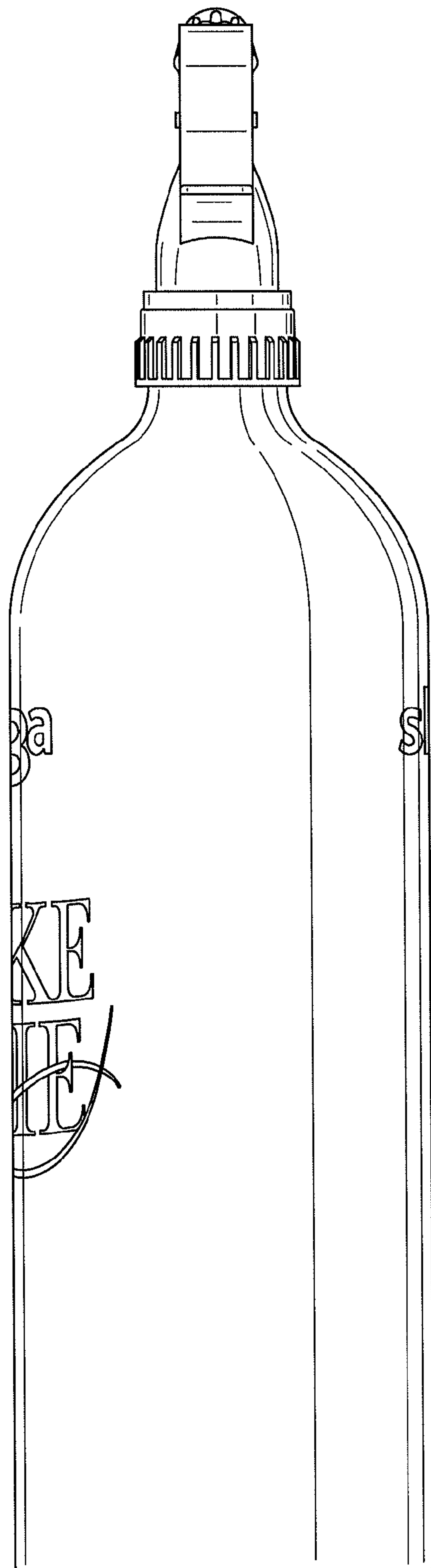


FIG.5



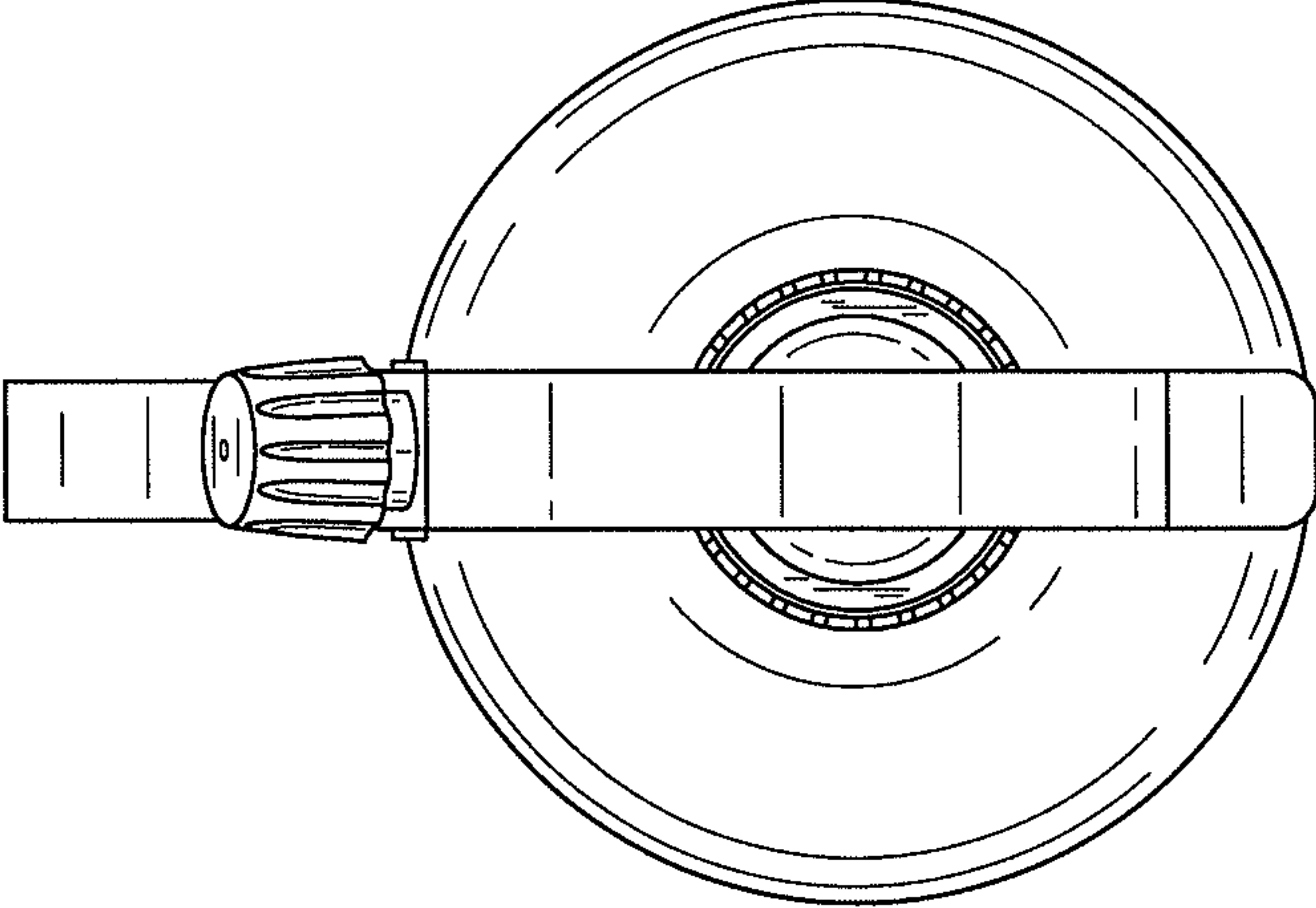


FIG.6

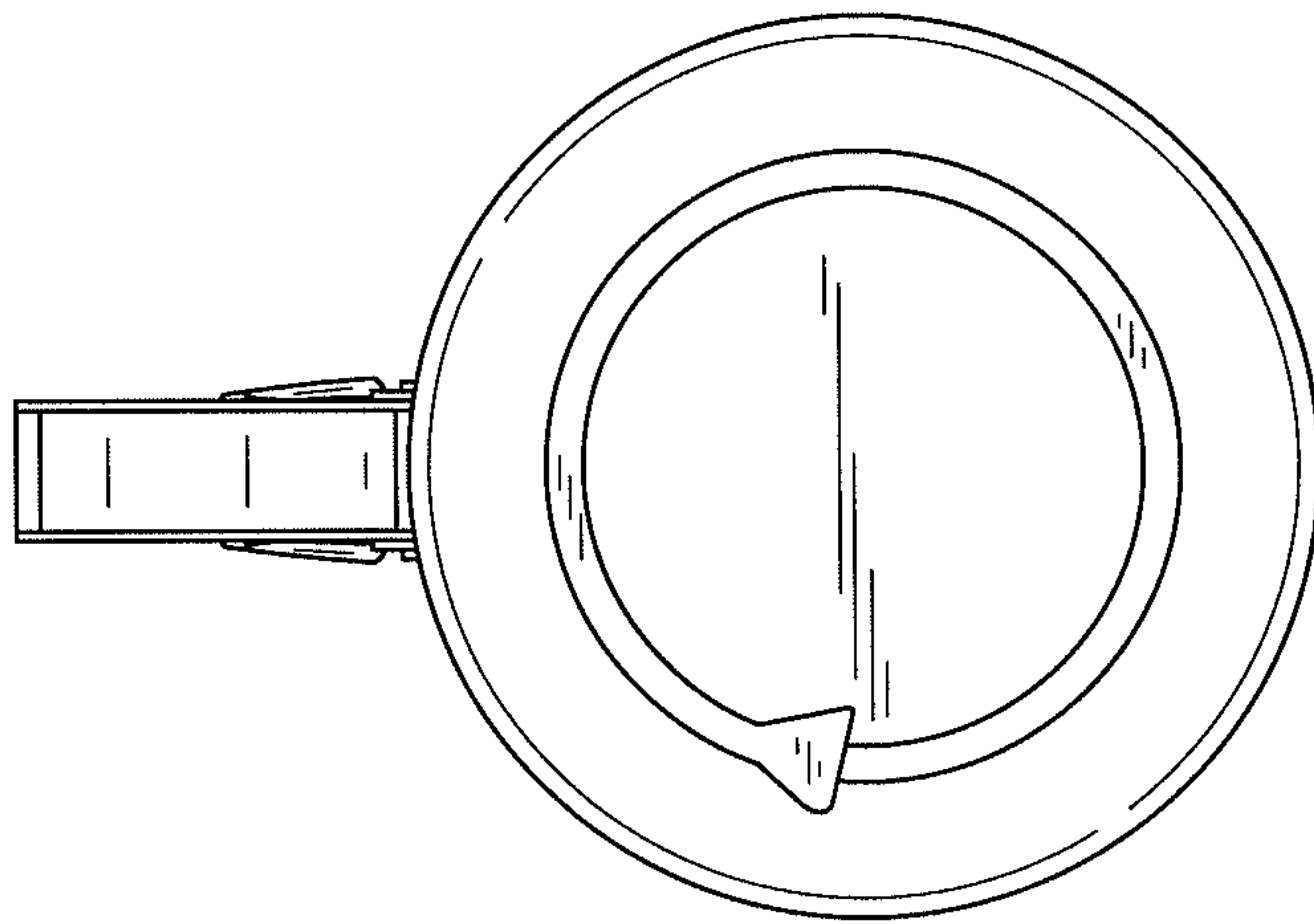


FIG.7