



US00D715148S

(12) **United States Design Patent**
Kuo et al.

(10) **Patent No.:** **US D715,148 S**
(45) **Date of Patent:** **** Oct. 14, 2014**

- (54) **INNER BOX OF A PACKING BOX**
- (71) Applicant: **Golden Arrow Printing, Co., Ltd.**, New Taipei (TW)
- (72) Inventors: **Chien-Kuan Kuo**, New Taipei (TW);
Chun-Huang Huang, New Taipei (TW)
- (73) Assignee: **Golden Arrow Printing, Co., Ltd.**, New Taipei (TW)

D674,709 S * 1/2013 Akana et al. D9/737
 D676,323 S * 2/2013 Sugden et al. D9/456
 D685,654 S * 7/2013 Akana et al. D9/737
 D686,491 S * 7/2013 Kuo et al. D9/432

* cited by examiner

Primary Examiner — Robert M Spear
 (74) *Attorney, Agent, or Firm* — Chun-Ming Shih; HDLS IPR Services

(**) Term: **14 Years**
 (21) Appl. No.: **29/465,376**

(57) **CLAIM**
 The ornamental design for an inner box of a packing box, as shown and described.

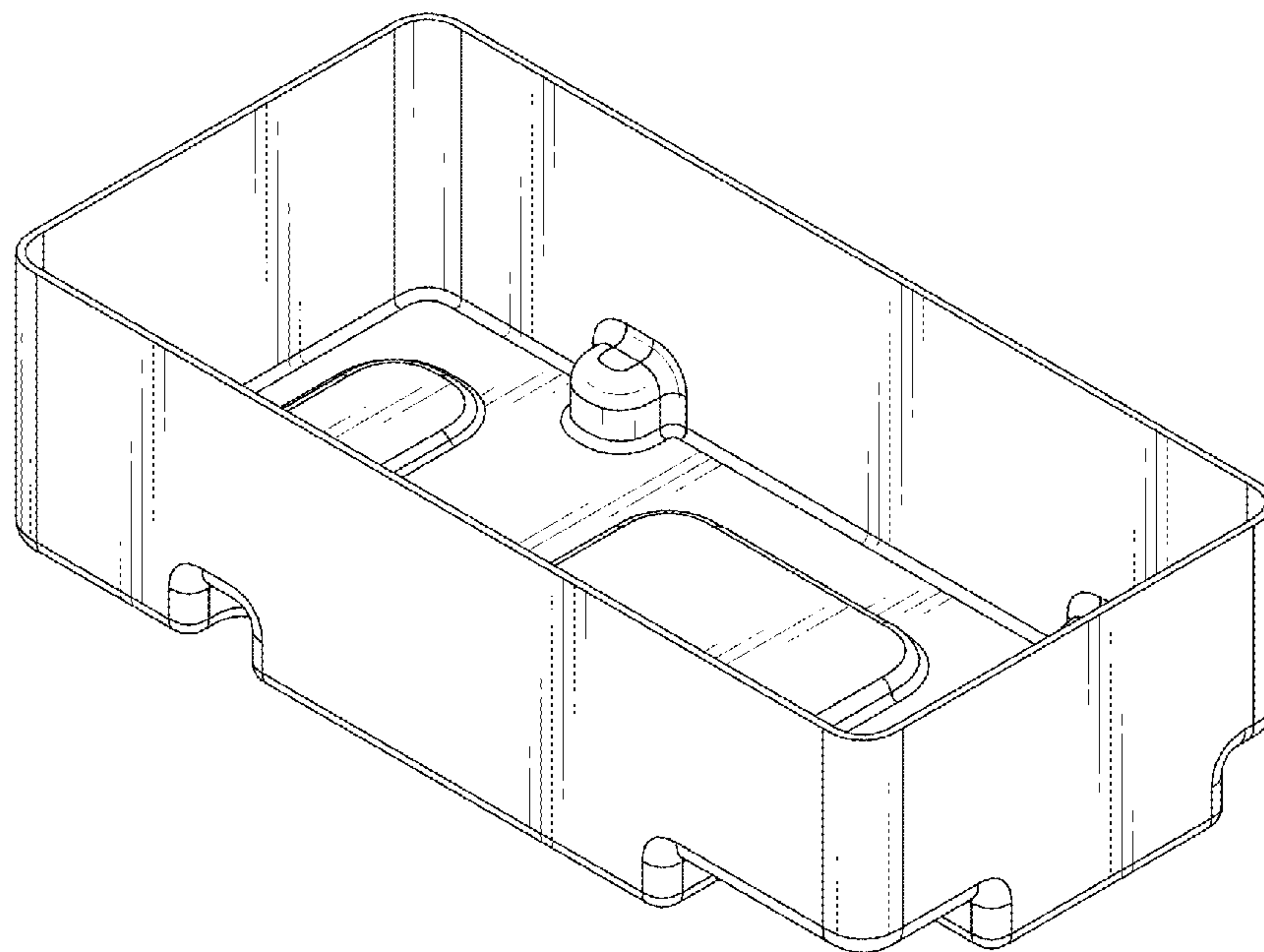
- (22) Filed: **Aug. 27, 2013**
- (51) **LOC (10) Cl.** **09-07**
- (52) **U.S. Cl.**
USPC **D9/456**
- (58) **Field of Classification Search**
USPC D9/430, 431, 432, 433, 434, 435, 454,
D9/455, 456, 499; 206/315.9, 494;
220/410; 229/109, 110, 120.01
See application file for complete search history.

DESCRIPTION

FIG. 1 is a perspective view of an inner box of a packing box showing my new design;
 FIG. 2 is a front view thereof;
 FIG. 3 is a rear view thereof;
 FIG. 4 is a left side view thereof;
 FIG. 5 is a right side view thereof;
 FIG. 6 is a top view thereof;
 FIG. 7 is a bottom view thereof; and
 FIG. 8 is the other perspective view showing the inner box of a packing box; and,
 FIG. 9 is an exploded perspective view of the inner box of a packing box for reference.
 The broken lines shown represent unclaimed subject matter and form no part of the claimed design.

- (56) **References Cited**
U.S. PATENT DOCUMENTS
 D411,448 S * 6/1999 Baker D9/415
 D496,485 S * 9/2004 Stekelenburg D26/72
 D523,338 S * 6/2006 Hoge et al. D9/456
 D620,795 S * 8/2010 Andre et al. D9/432

1 Claim, 6 Drawing Sheets



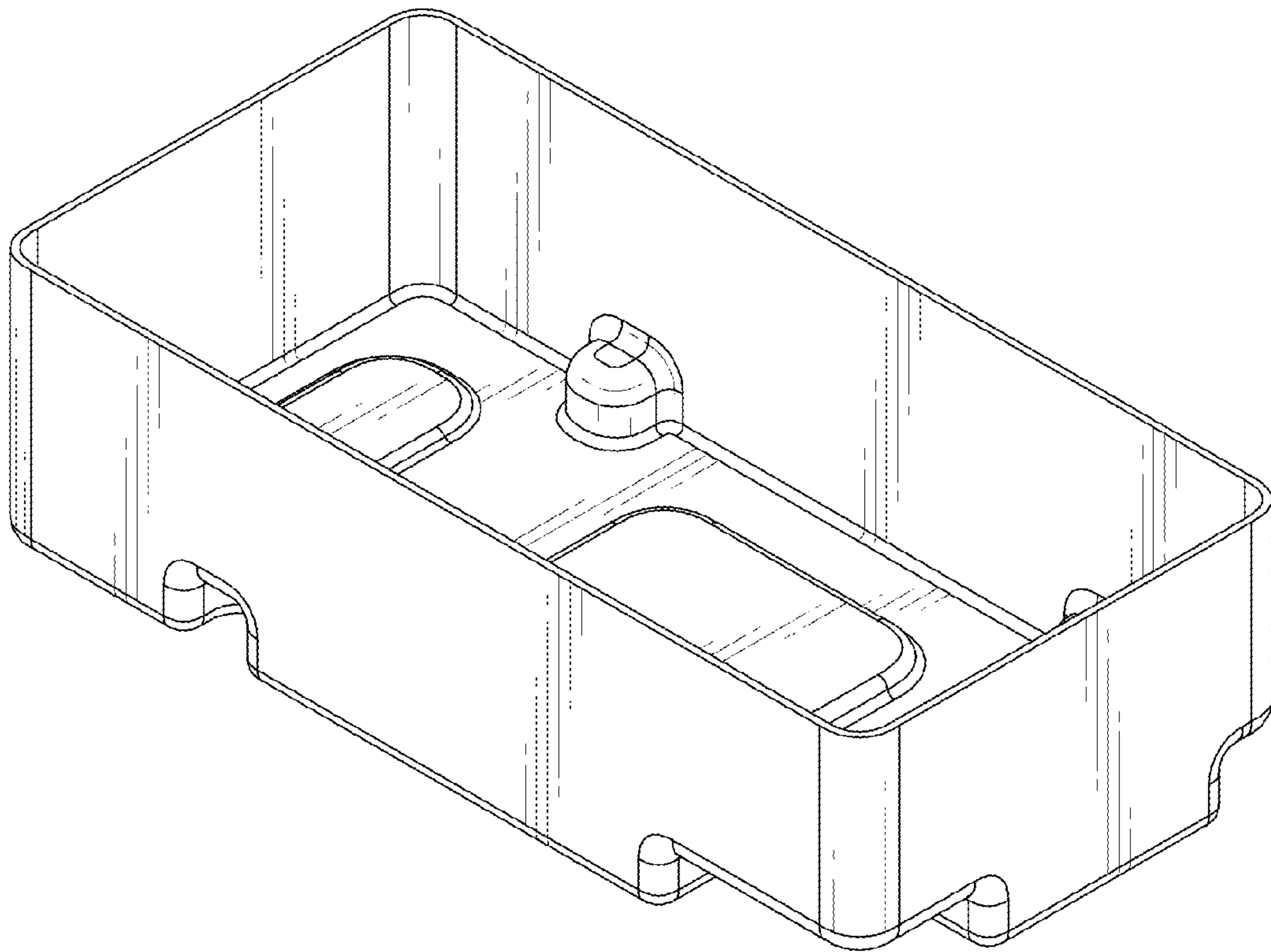


FIG.1

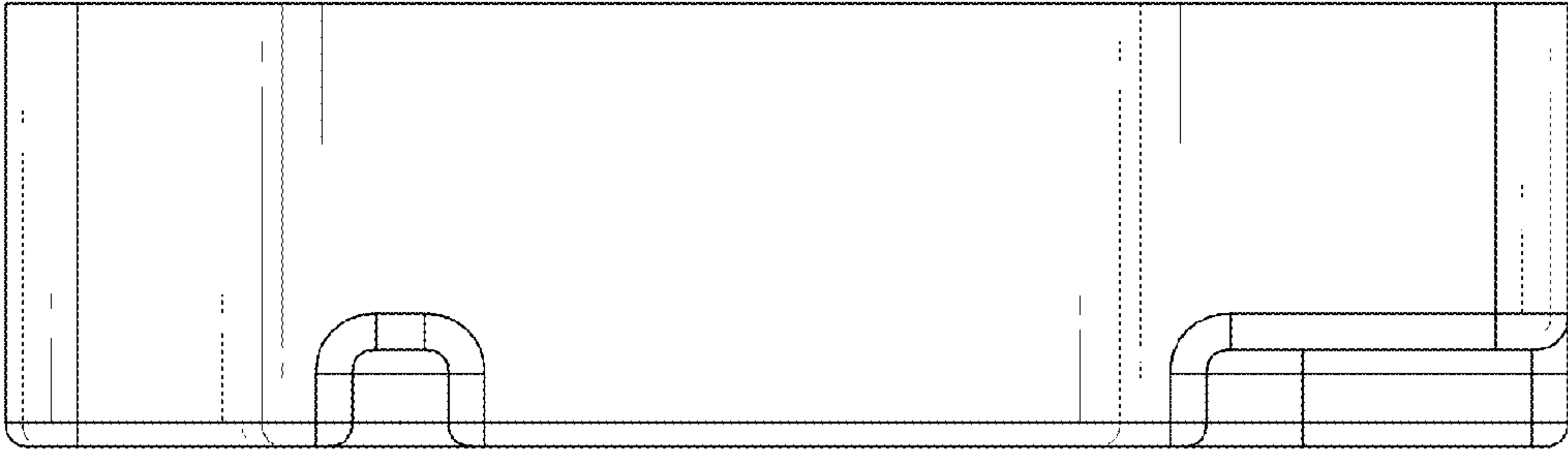


FIG.2

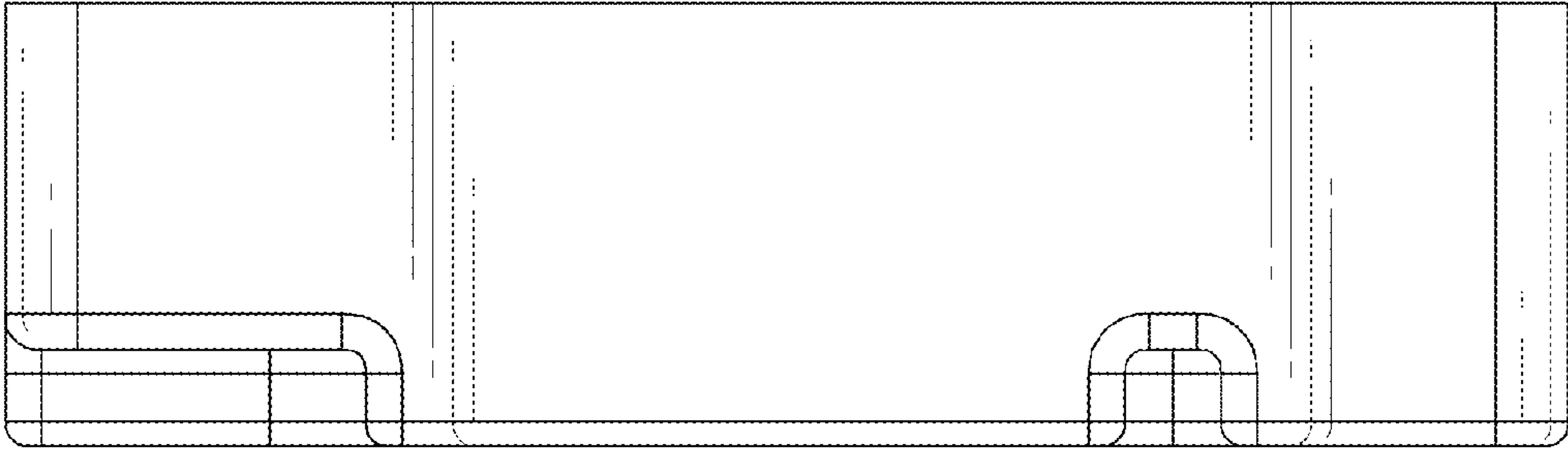


FIG.3

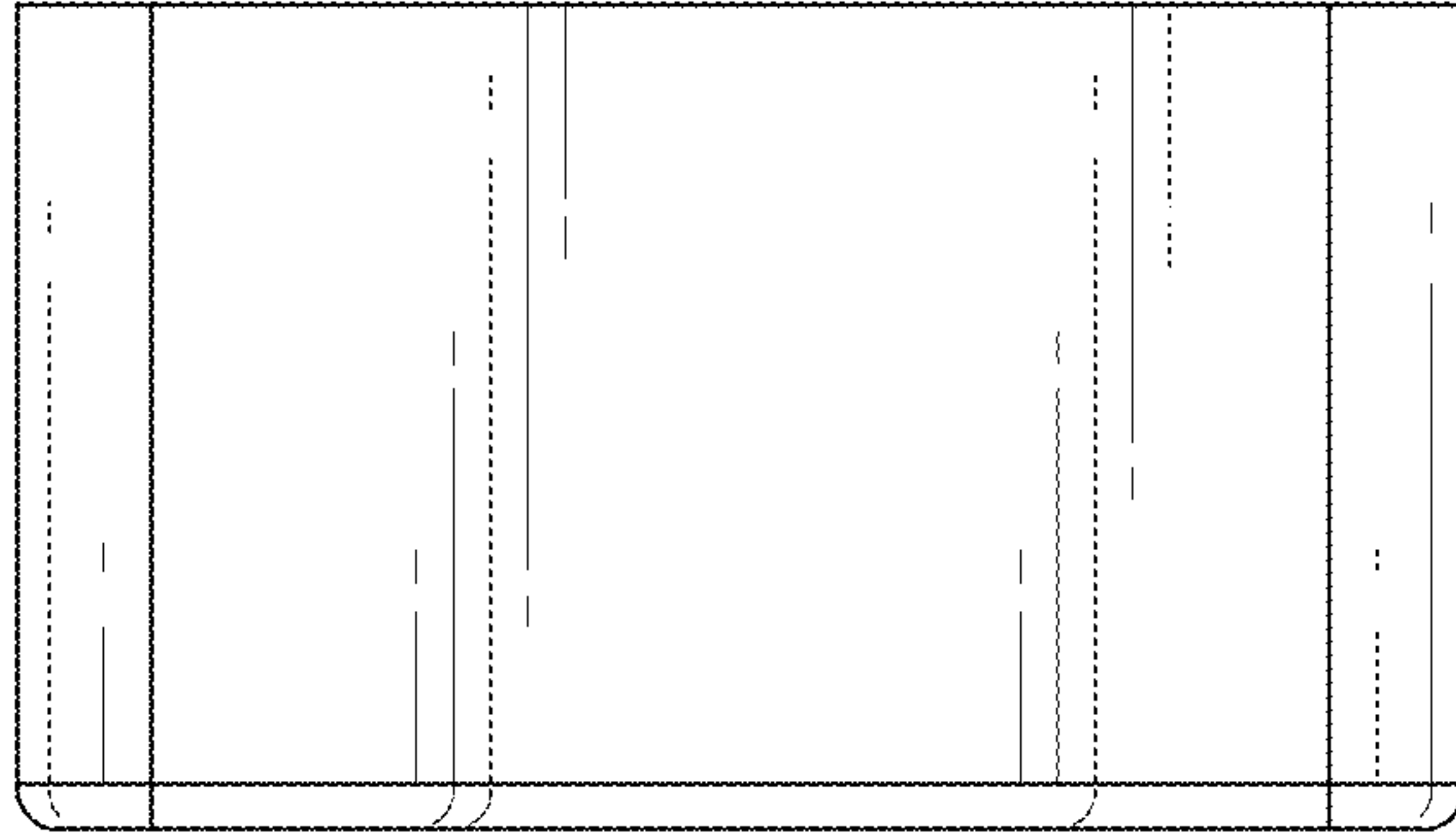


FIG. 4

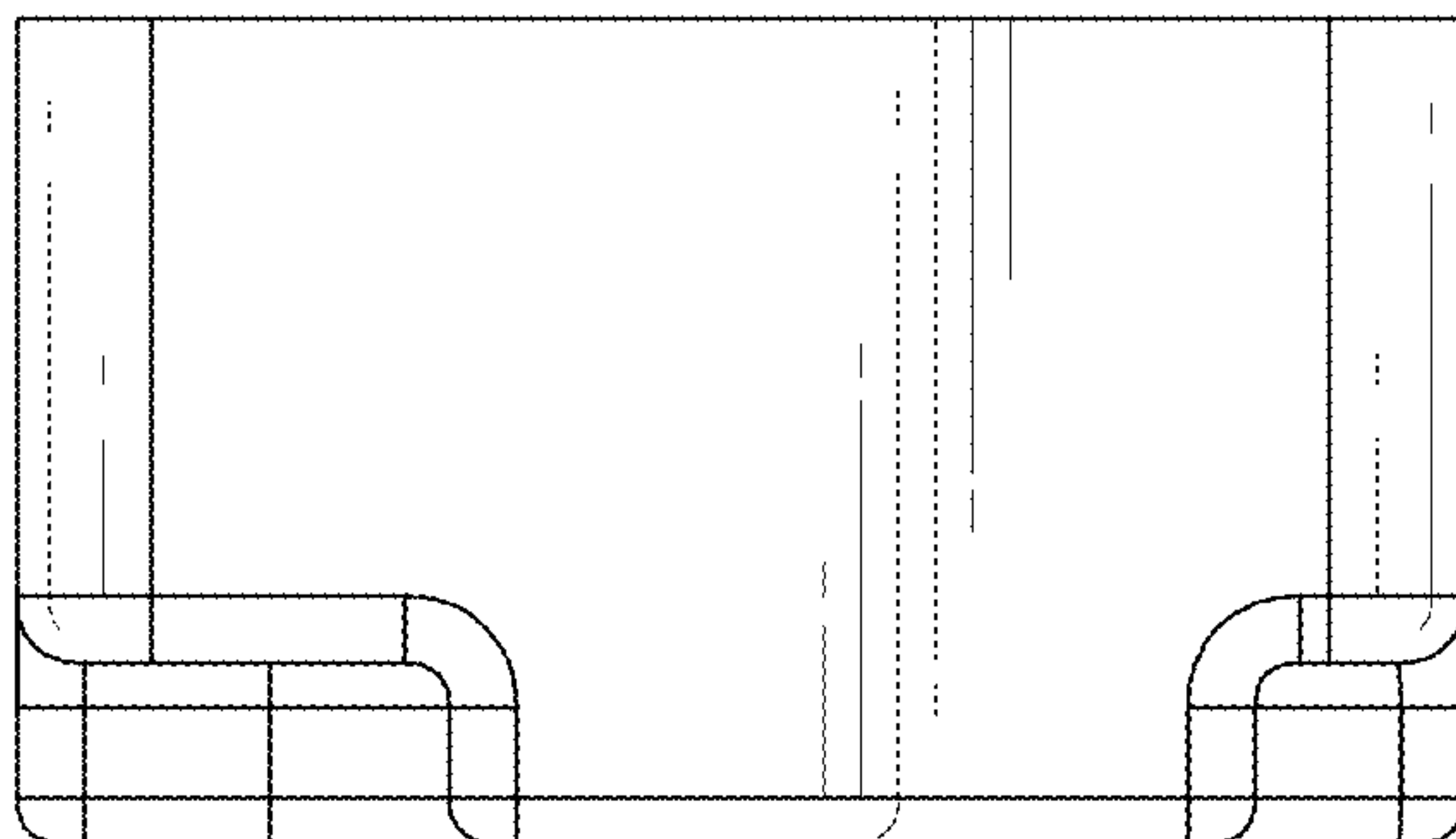


FIG. 5

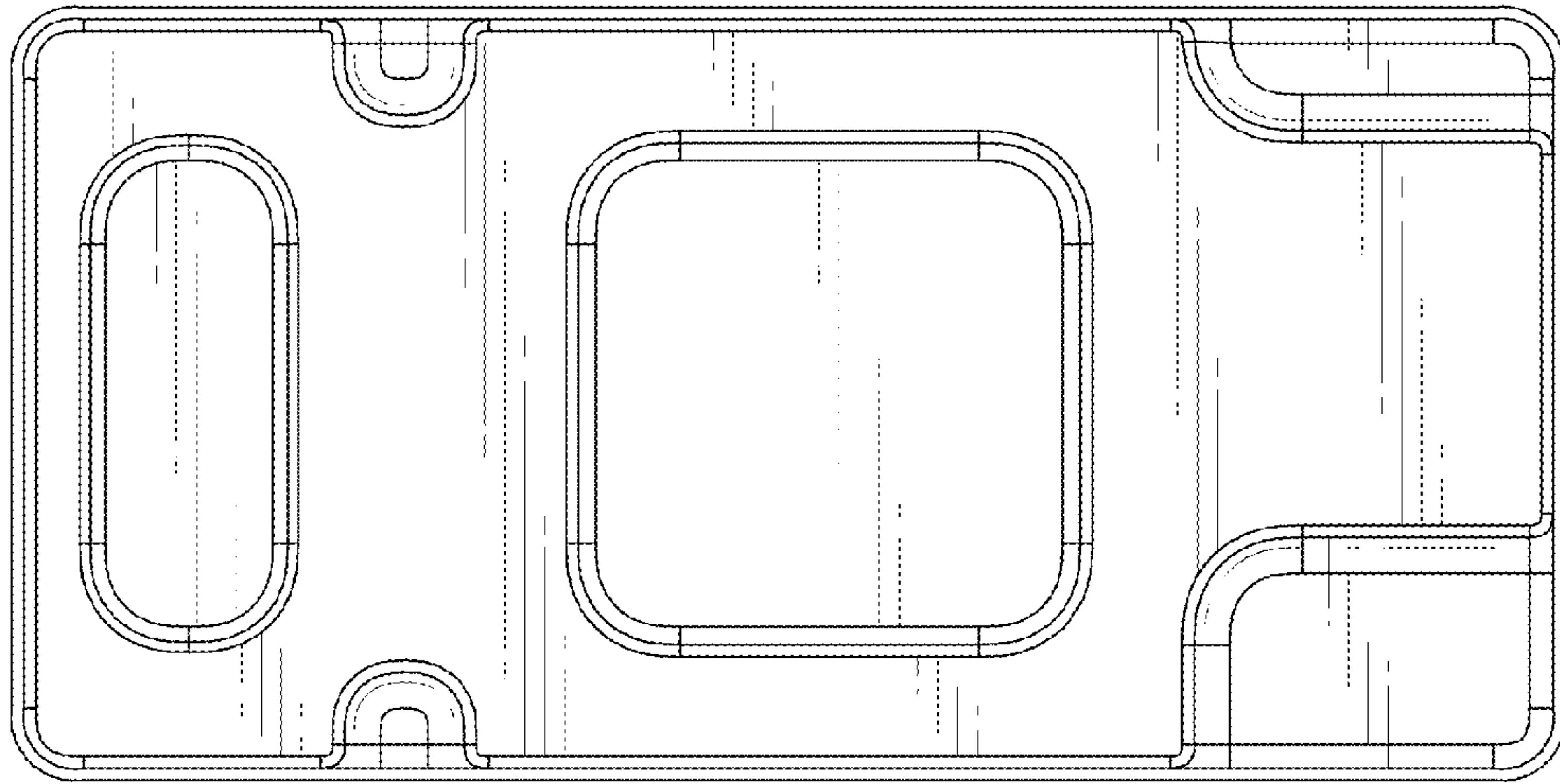


FIG. 6

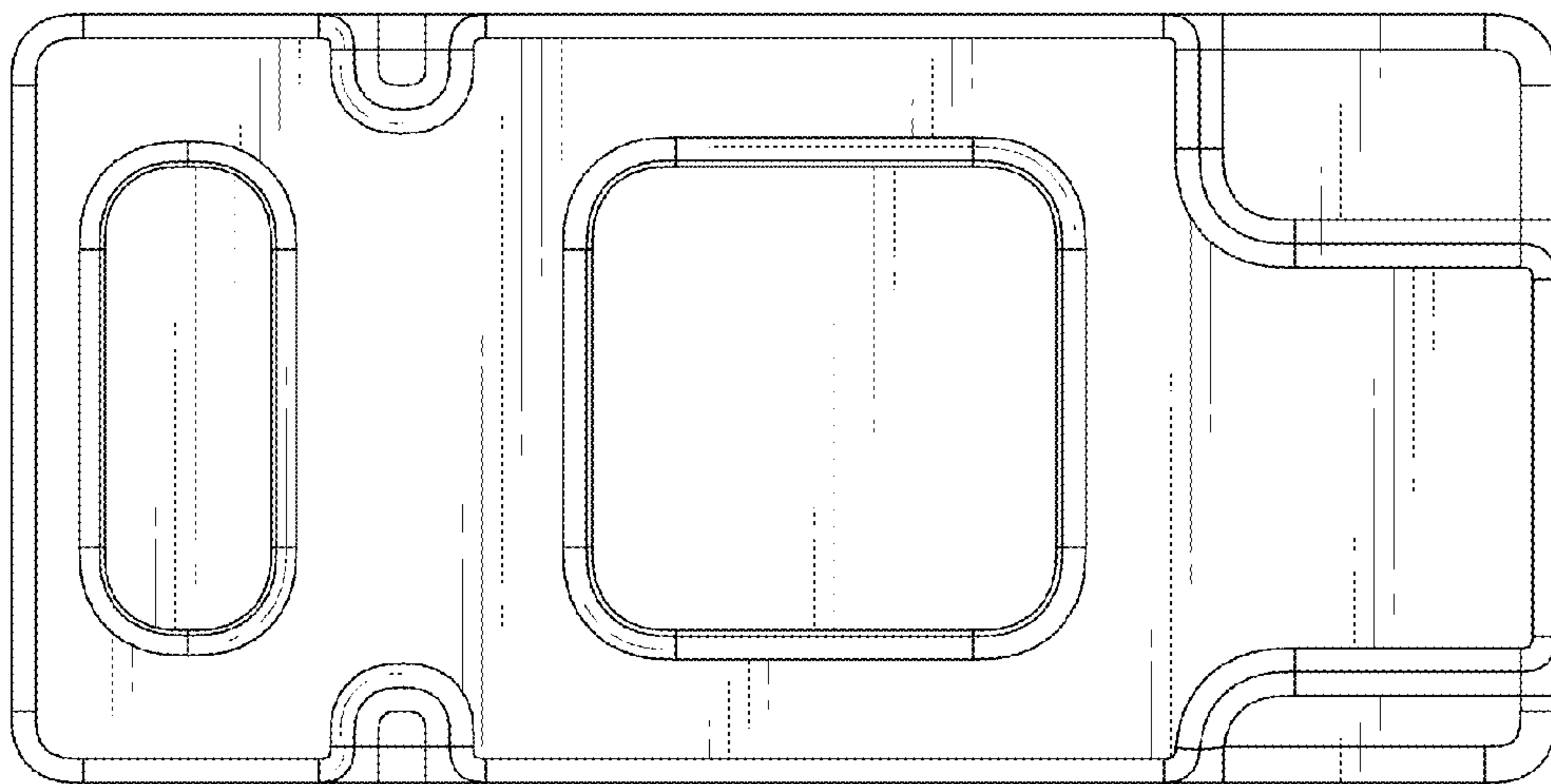


FIG. 7

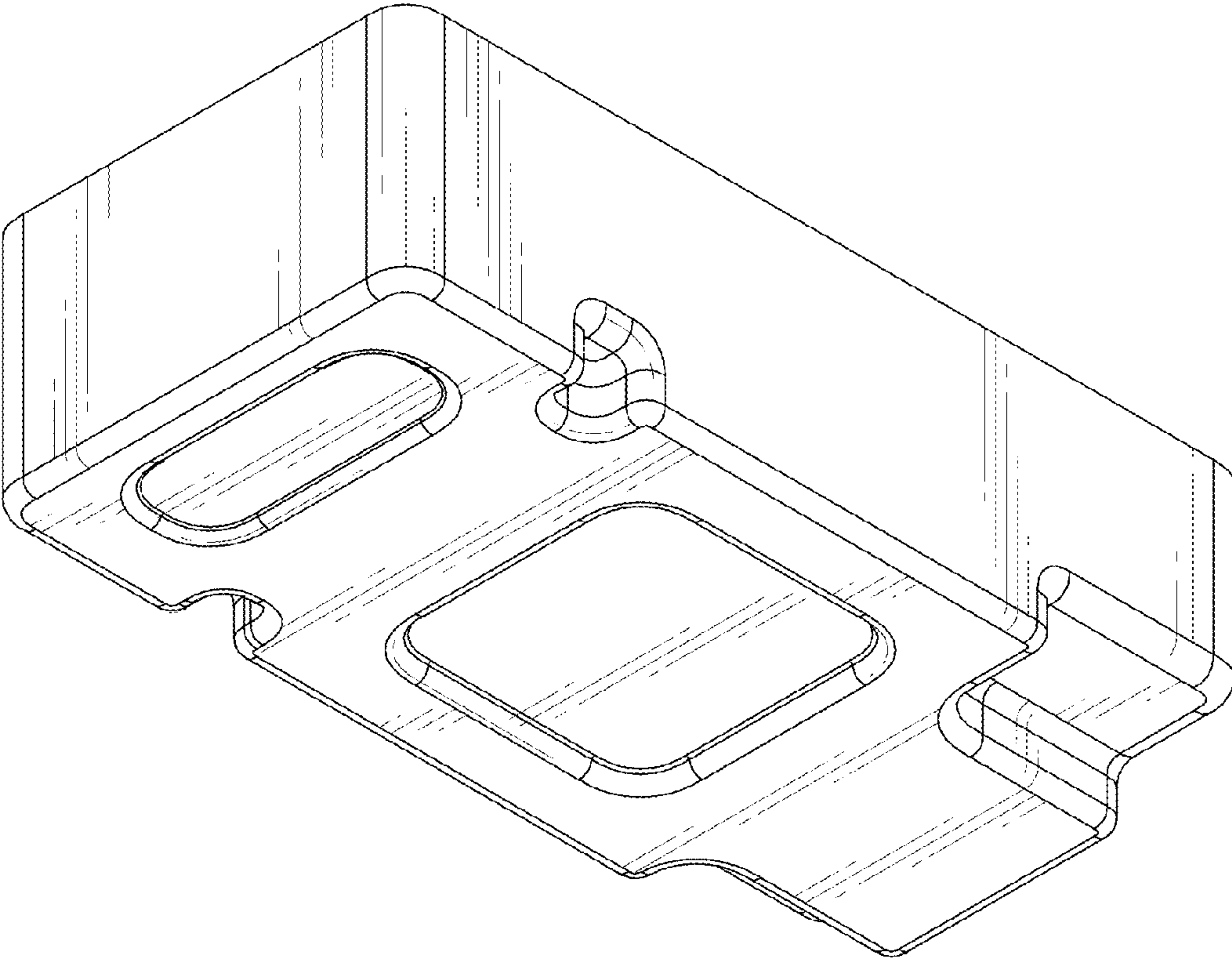


FIG.8

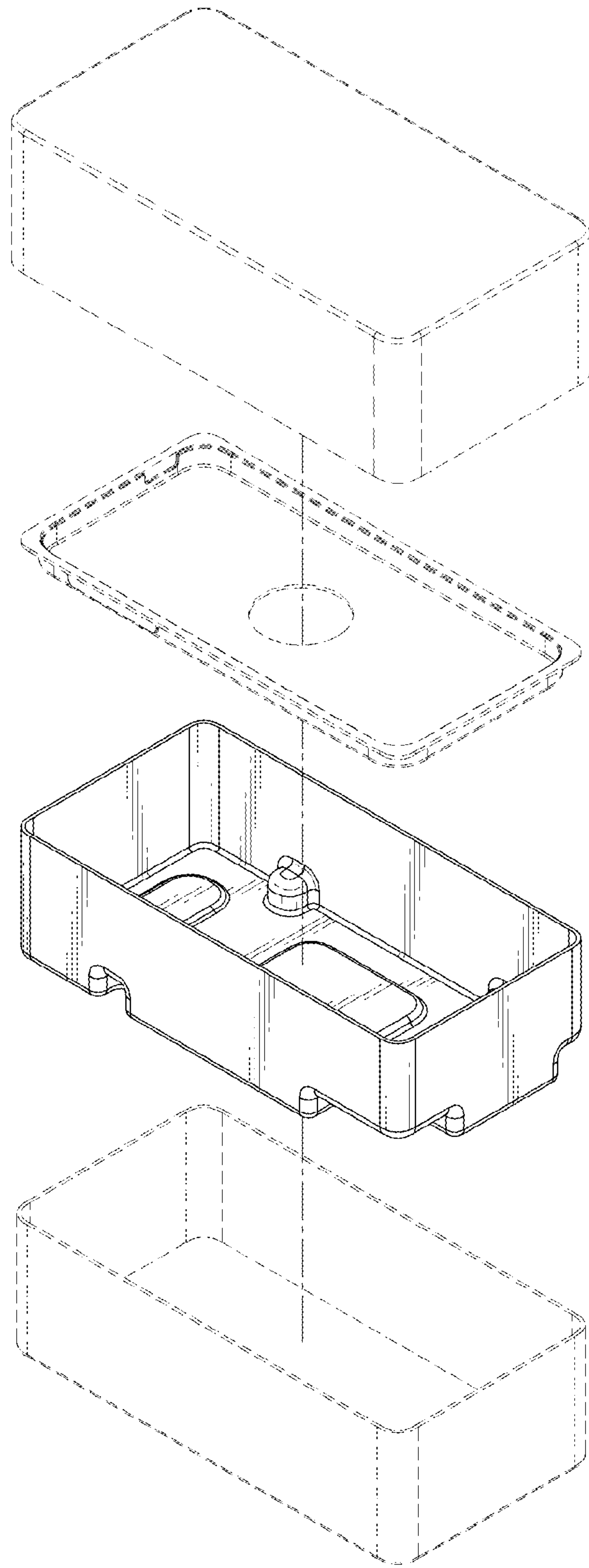


FIG.9