



US00D715147S

(12) **United States Design Patent**  
**Ginzburg et al.**

(10) **Patent No.:** **US D715,147 S**

(45) **Date of Patent:** **\*\* Oct. 14, 2014**

(54) **CONTAINER CAP**

(71) Applicant: **Societe des Produits Nestle S.A., Vevey (CH)**

(72) Inventors: **Jean-Daniel Ginzburg, Feigeres (FR);  
Andrea Rigardo, Cavatore (IT)**

(73) Assignee: **Societe des Produits Nestle S.A., Vevey (CH)**

(\*\*) Term: **14 Years**

(21) Appl. No.: **29/448,453**

(22) Filed: **Mar. 12, 2013**

(51) **LOC (10) Cl.** ..... **09-07**

(52) **U.S. Cl.**

USPC ..... **D9/449**

(58) **Field of Classification Search**

USPC ..... D7/300, 300.1, 321, 396.2, 500, 507,  
D7/509, 510, 511, 900; D9/434, 435, 443,  
D9/444, 445, 447, 452, 453, 705, 708,  
D9/709; 215/200, 235, 236, 252, 328, 329,  
215/355-364; 220/203.04-203.07, 220,  
220/254.1, 254.4, 703, 704, 705, 715;  
222/525, 528, 566, 571

See application file for complete search history.

(56) **References Cited**

**U.S. PATENT DOCUMENTS**

2,234,168 A \* 3/1941 Hothersall ..... 222/542  
D160,491 S \* 10/1950 Goldman ..... D9/443  
4,569,456 A \* 2/1986 Weiler et al. .... 215/251  
D351,313 S \* 10/1994 Giard, Jr. .... D7/510  
D351,793 S \* 10/1994 Stoller ..... D9/443  
D367,613 S \* 3/1996 Weiler ..... D9/520

D380,387 S \* 7/1997 Weiler ..... D9/520  
D381,907 S \* 8/1997 King ..... D9/443  
D399,387 S \* 10/1998 Lillelund et al. .... D7/401.1  
6,092,682 A \* 7/2000 Weiler ..... 215/47  
D654,797 S \* 2/2012 Chen ..... D9/542  
D682,693 S \* 5/2013 Cocuzzi ..... D9/443  
D694,625 S \* 12/2013 Maxwell ..... D9/454

\* cited by examiner

*Primary Examiner* — Robert M Spear

*Assistant Examiner* — Marissa Cash

(74) *Attorney, Agent, or Firm* — K&L Gates LLP

(57) **CLAIM**

The ornamental design for a container cap, as shown and described.

**DESCRIPTION**

FIG. 1 illustrates a top perspective view of a container cap according to the present invention in which the cap is locked; FIG. 2 illustrates a front side elevational view thereof; FIG. 3 illustrates a back side elevational view thereof; FIG. 4 illustrates a right side elevational view thereof; FIG. 5 illustrates a left side elevational view thereof; FIG. 6 illustrates a top plan view thereof; FIG. 7 illustrates a bottom plan view thereof; FIG. 8 illustrates a top perspective view of FIG. 1 in which the cap is open; FIG. 9 illustrates a front side elevational view thereof; FIG. 10 illustrates a back side elevational view thereof; FIG. 11 illustrates a right side elevational view thereof; FIG. 12 illustrates a left side elevational view thereof; FIG. 13 illustrates a top plan view thereof; and, FIG. 14 illustrates a bottom plan view thereof. The broken lines in the drawings represent unclaimed subject matter and form no part of the claim.

**1 Claim, 14 Drawing Sheets**

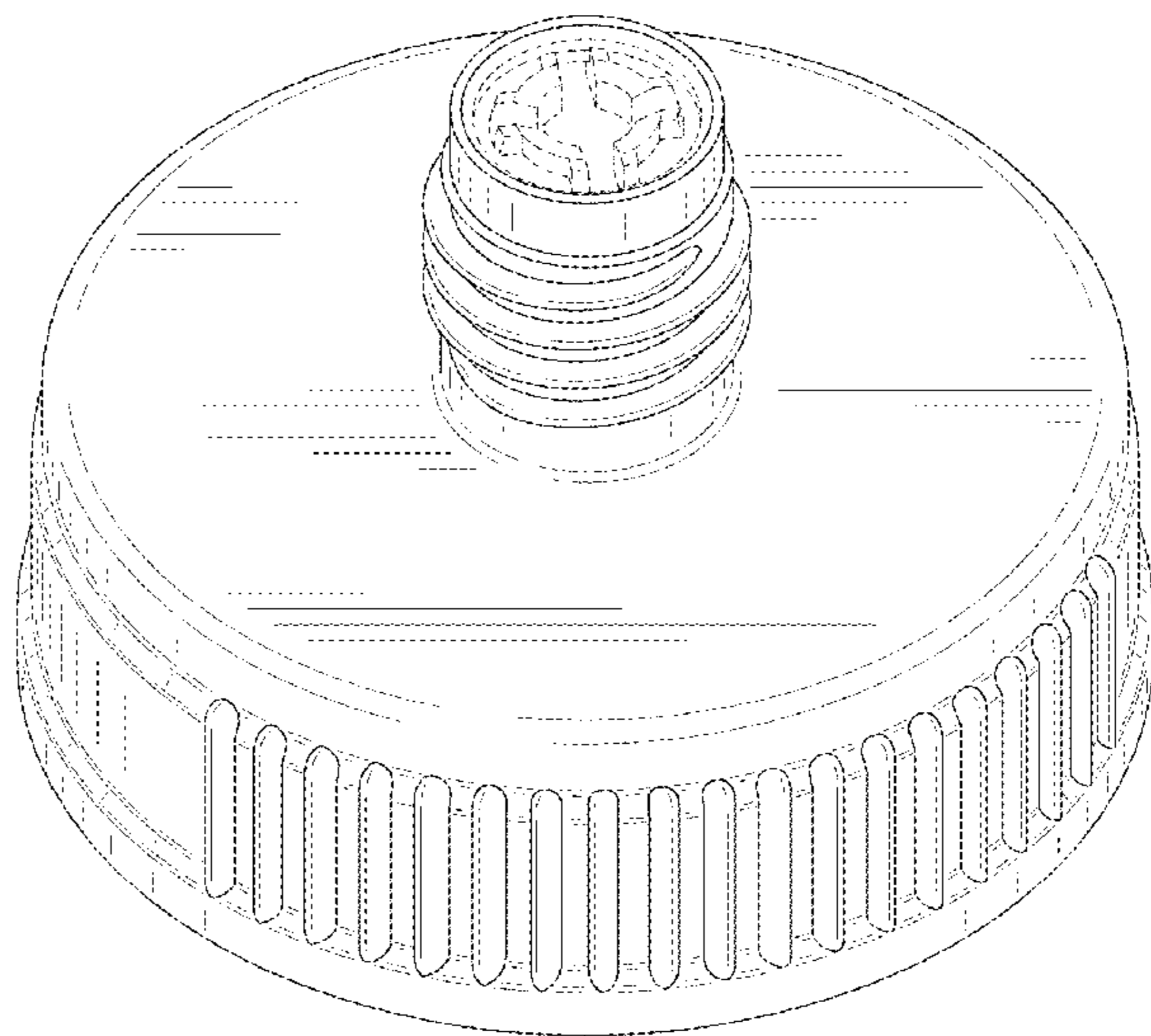
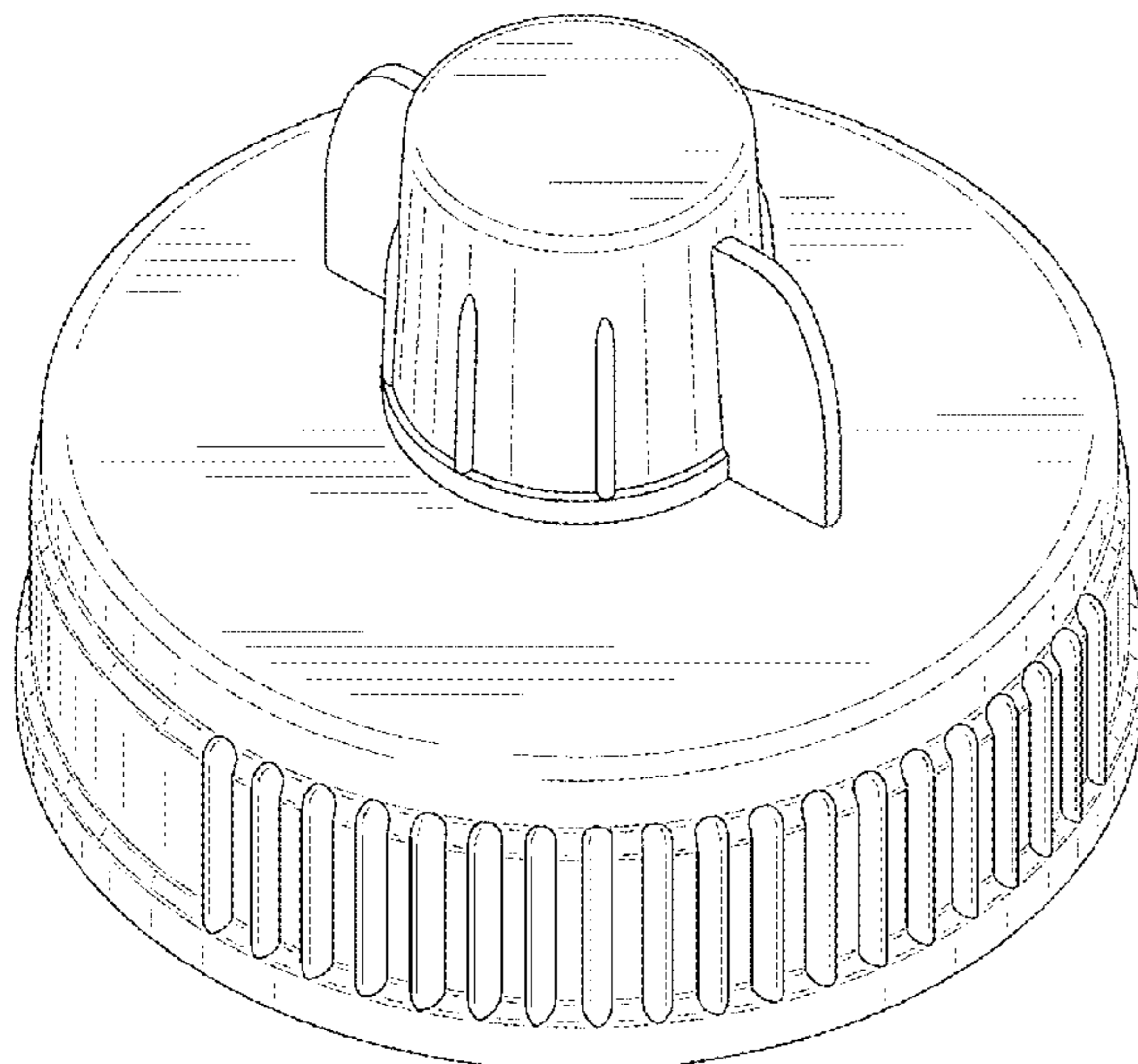


FIG. 1

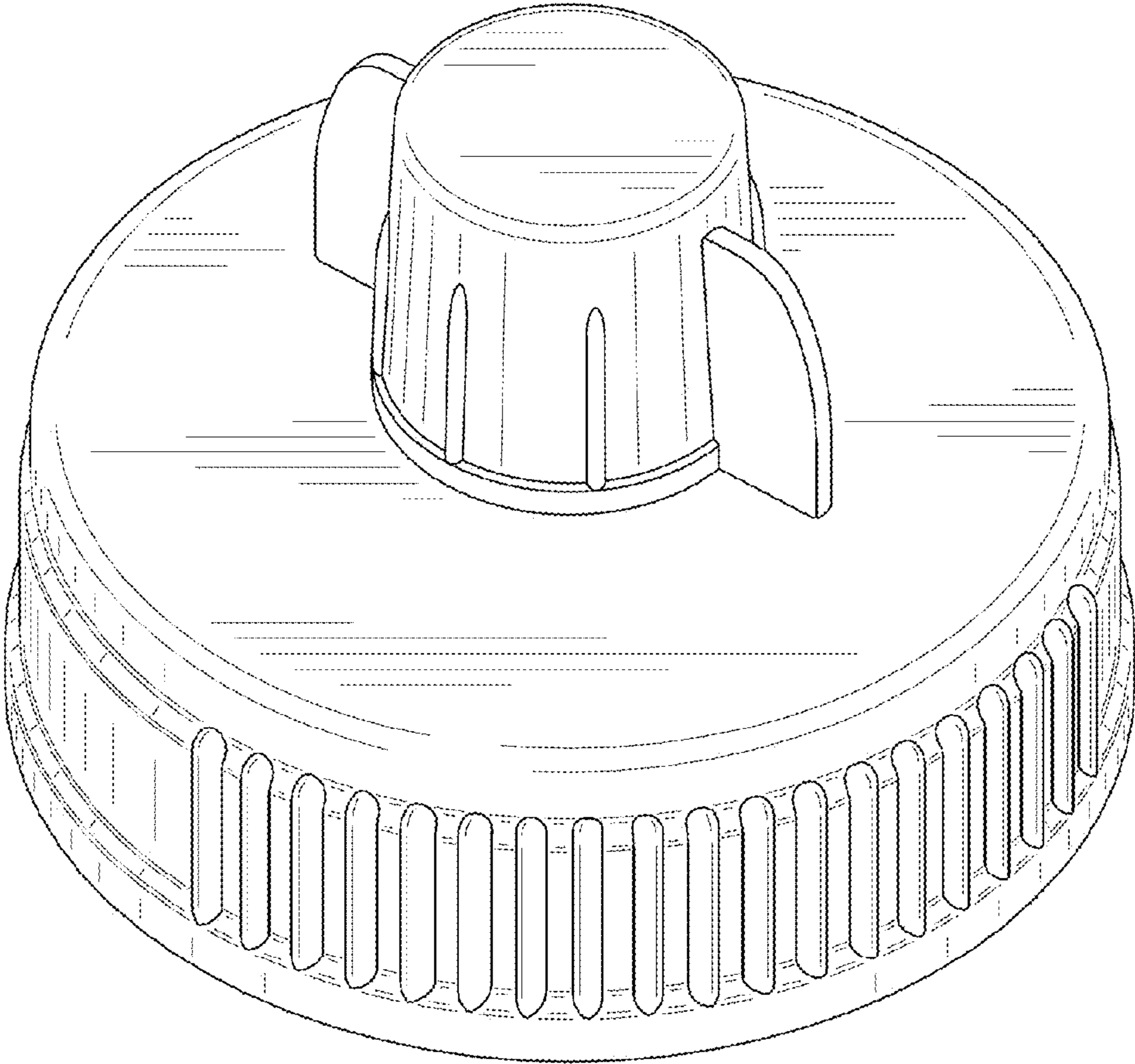


FIG. 2

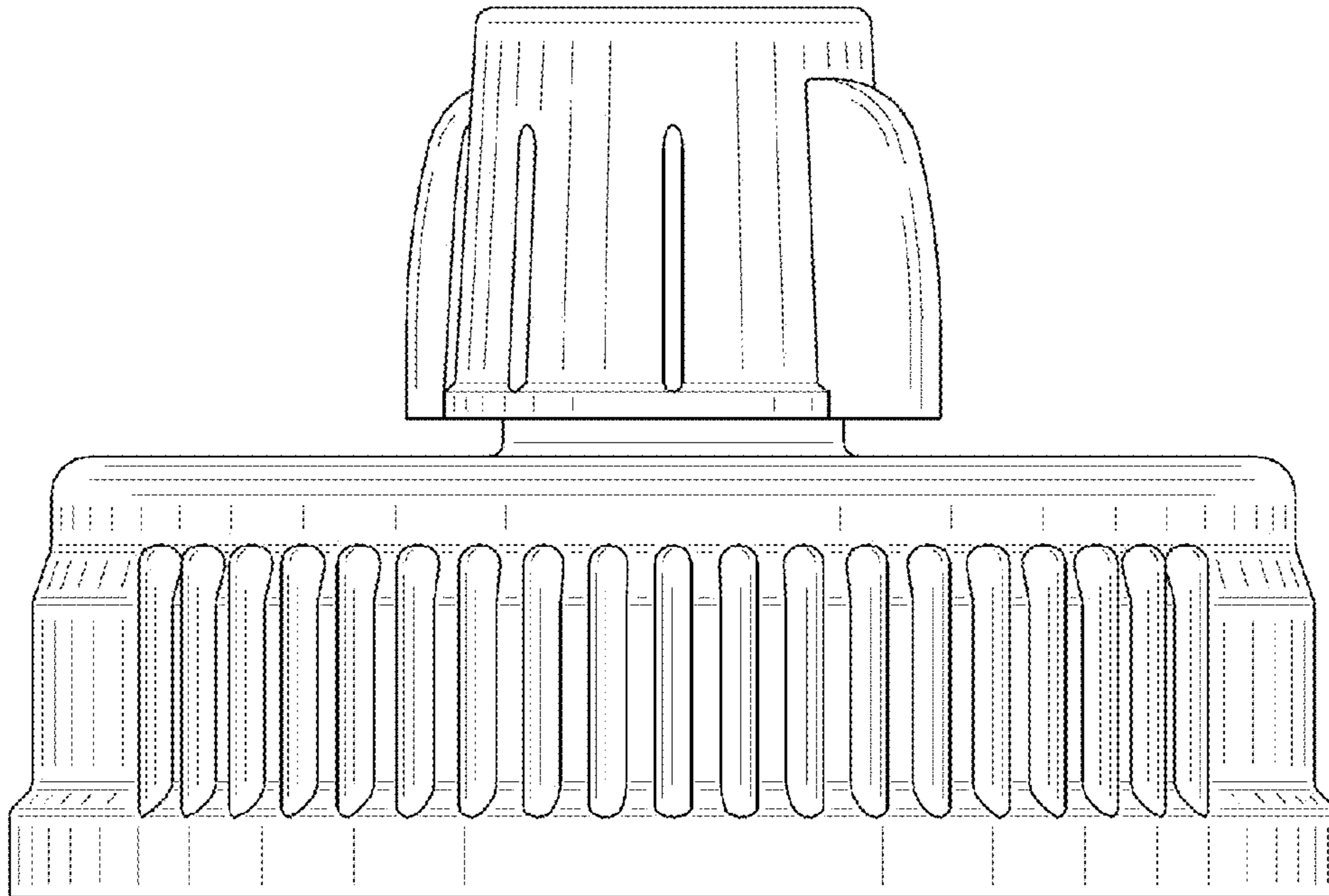


FIG. 3

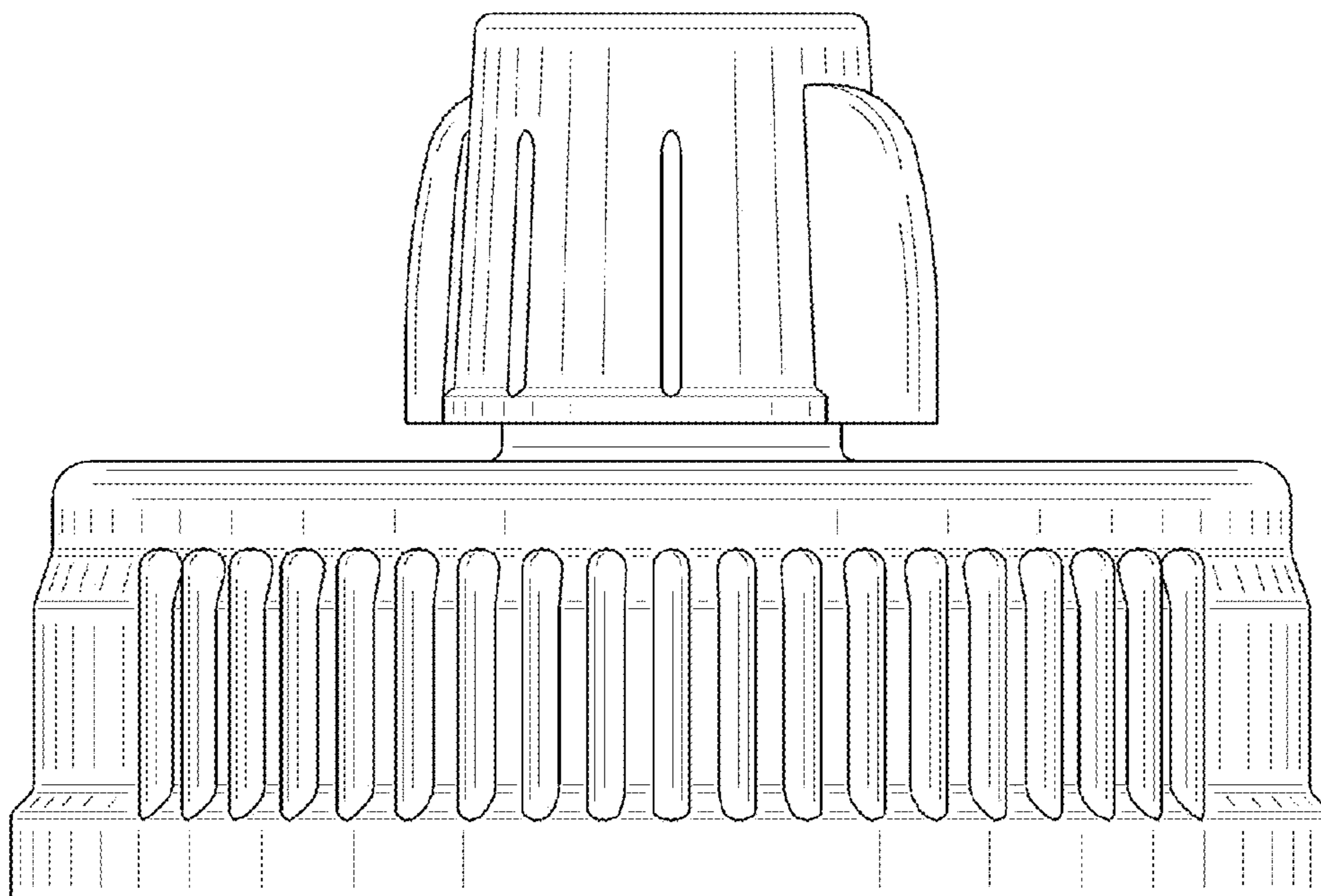


FIG. 4

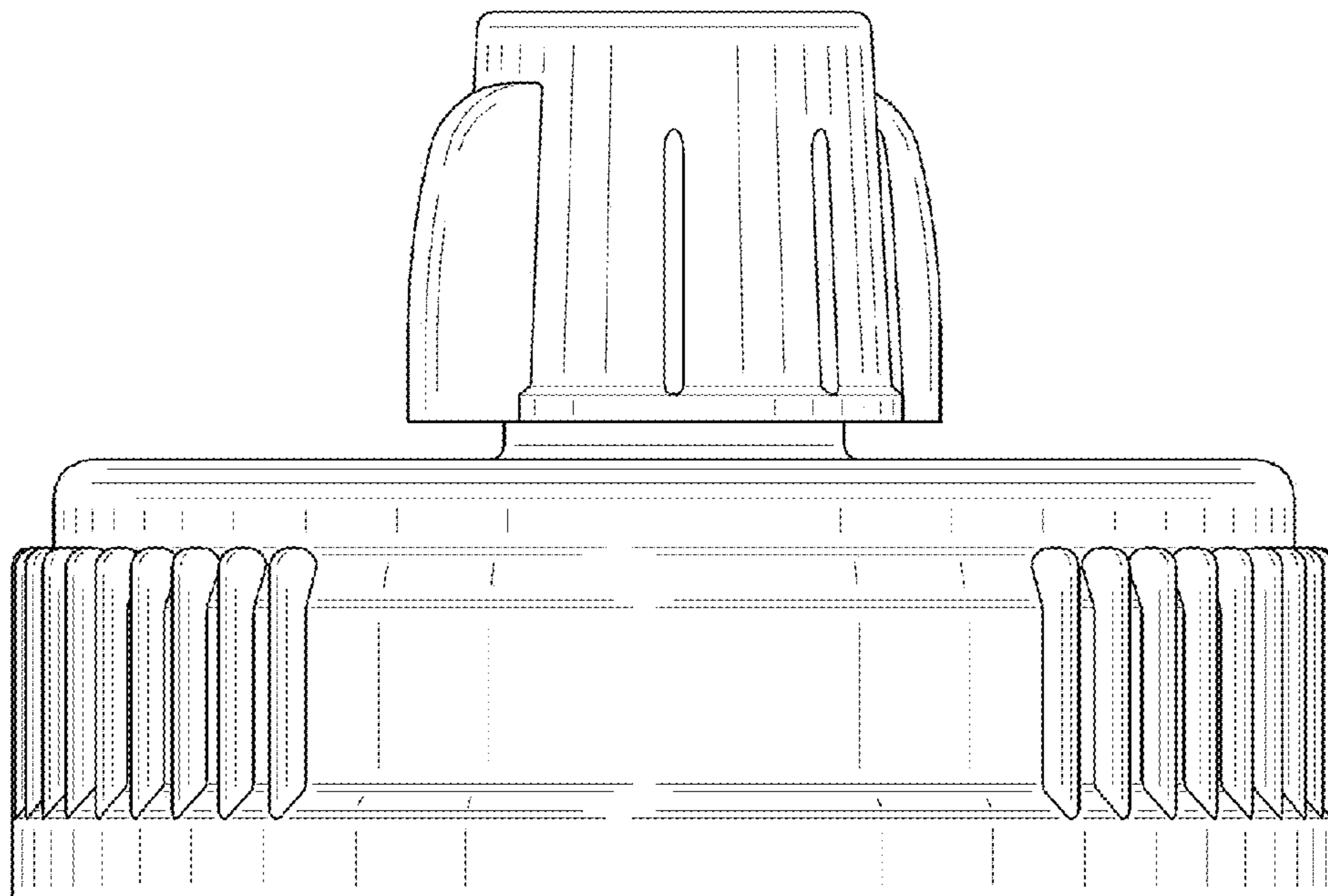


FIG. 5

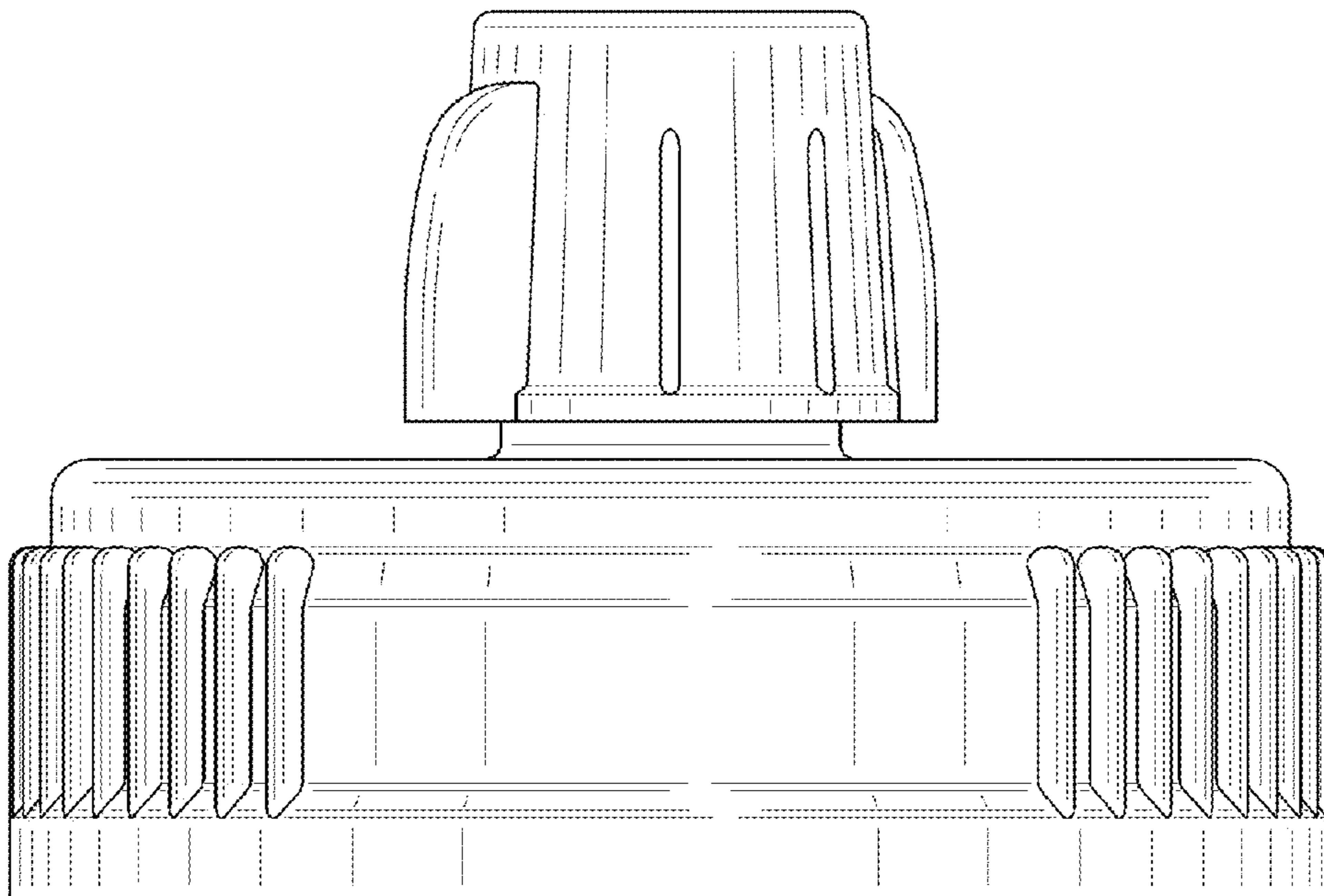


FIG. 6

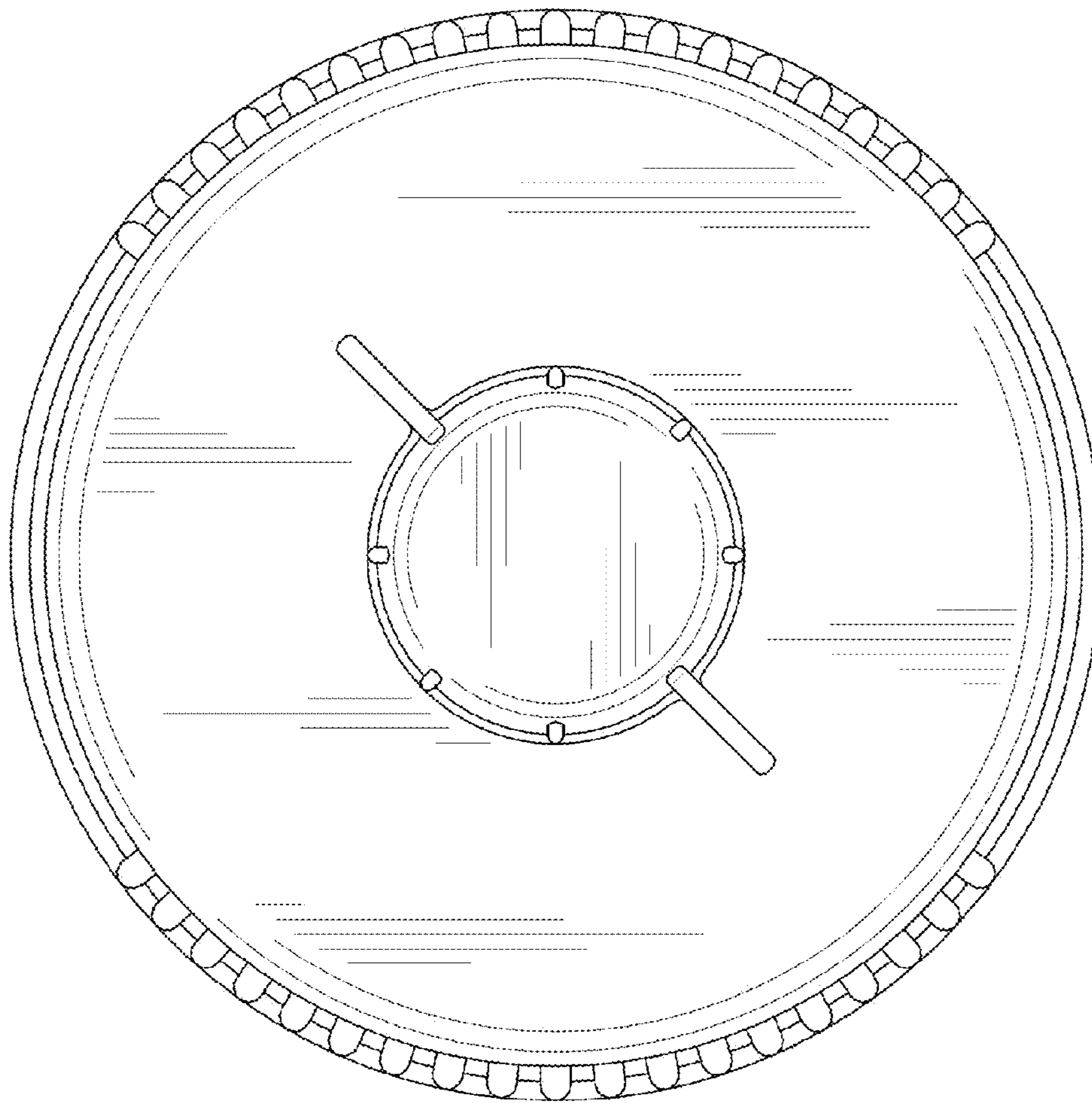


FIG. 7

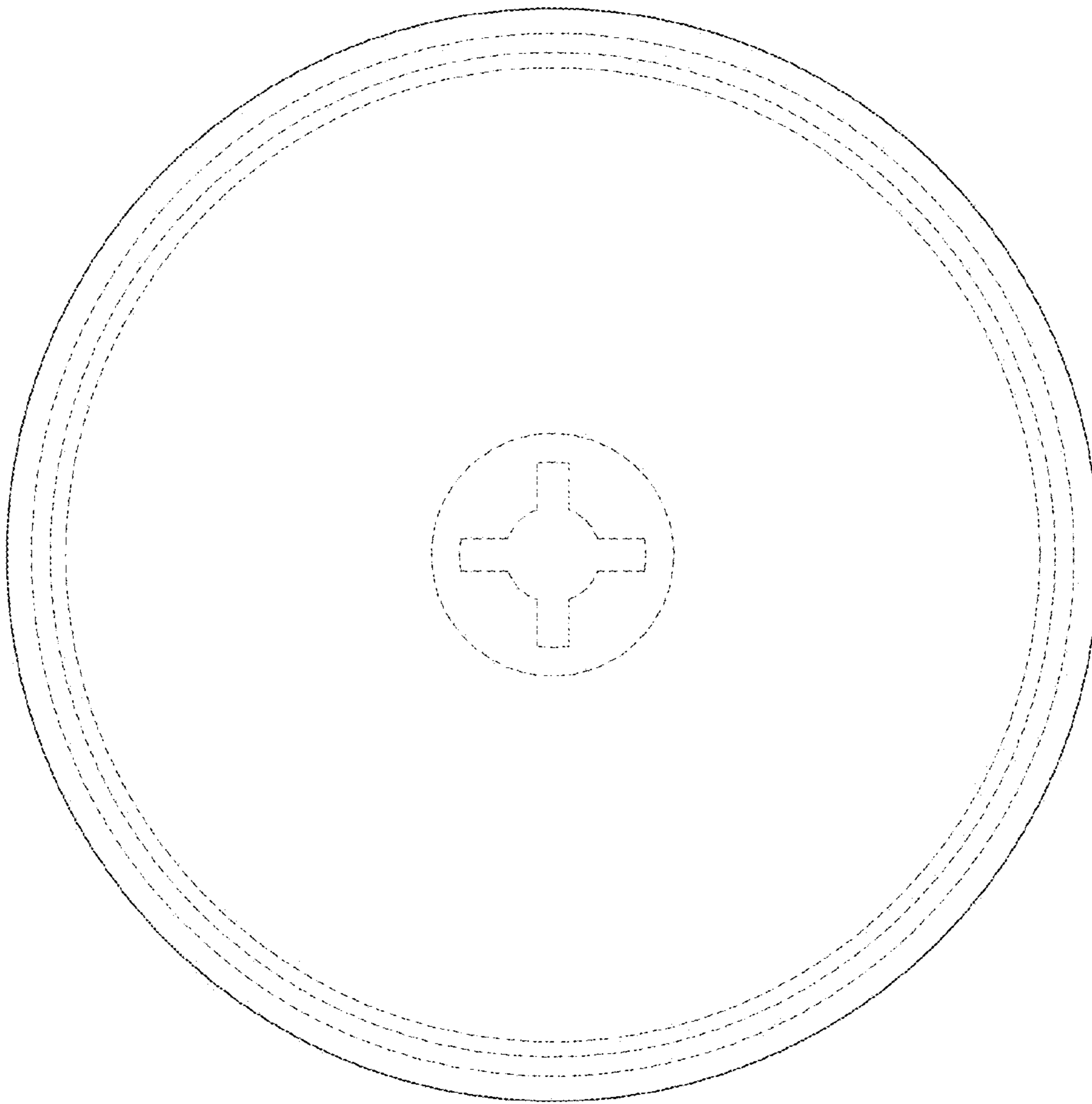




FIG. 8

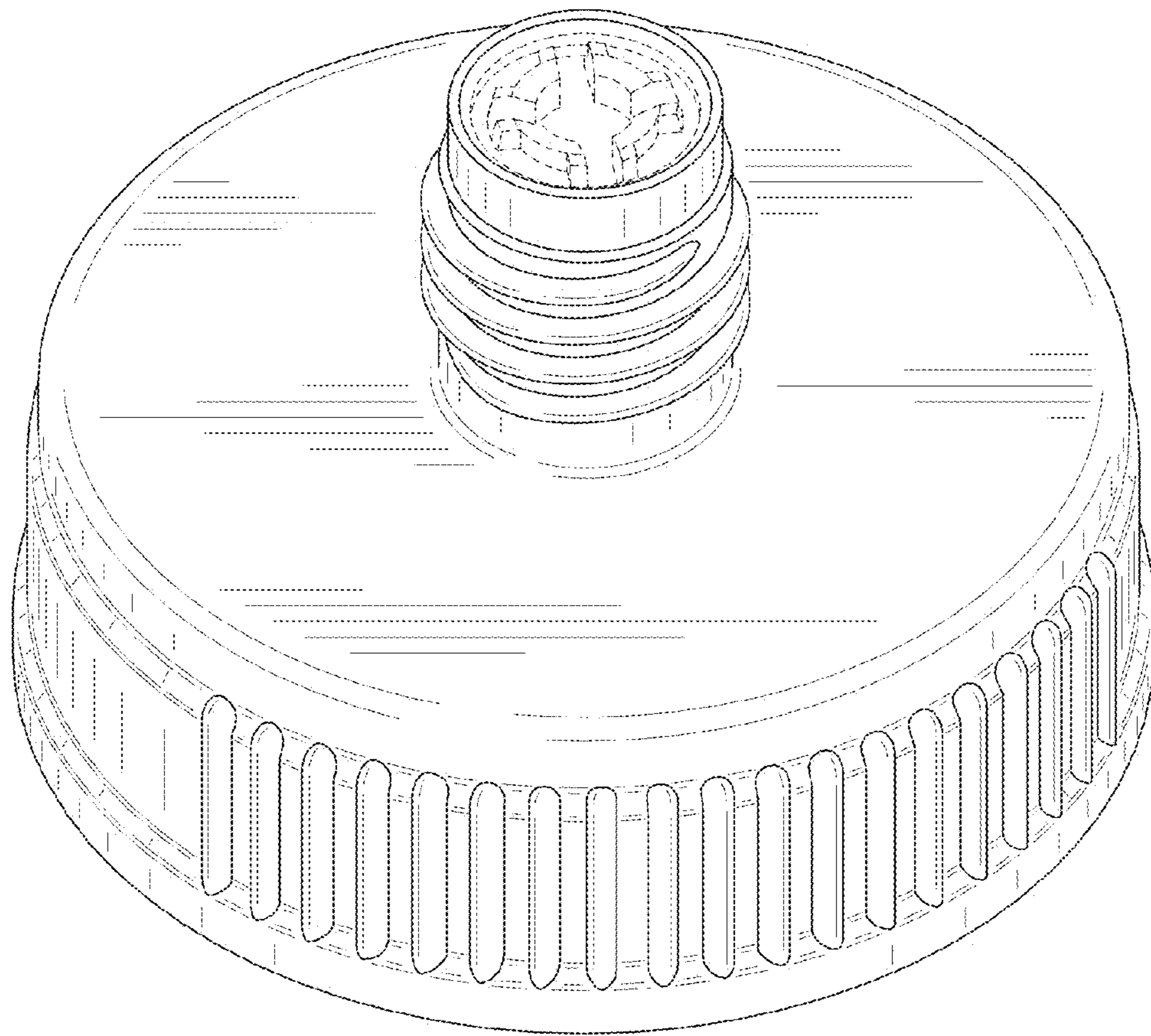


FIG. 9

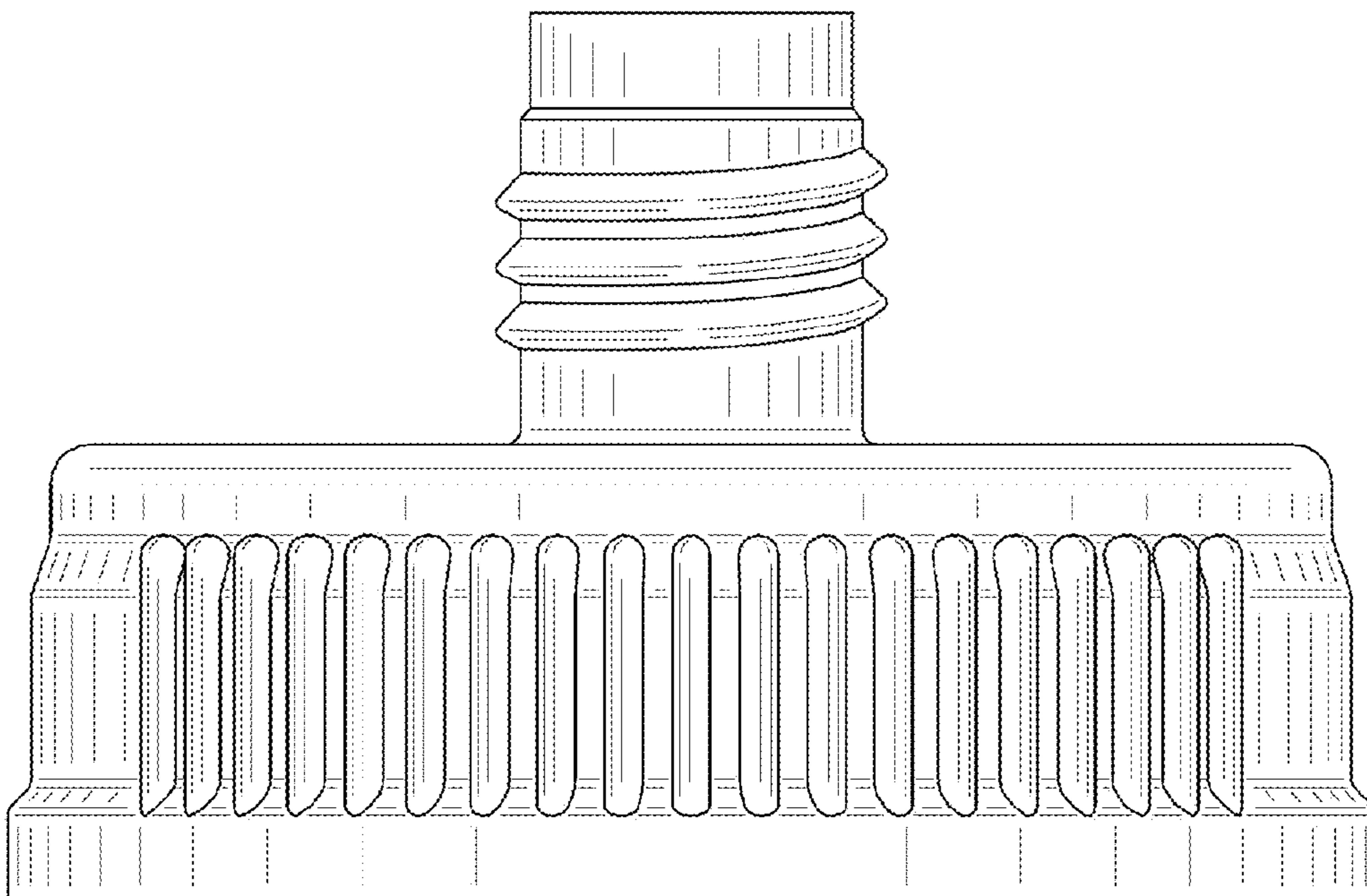


FIG. 10

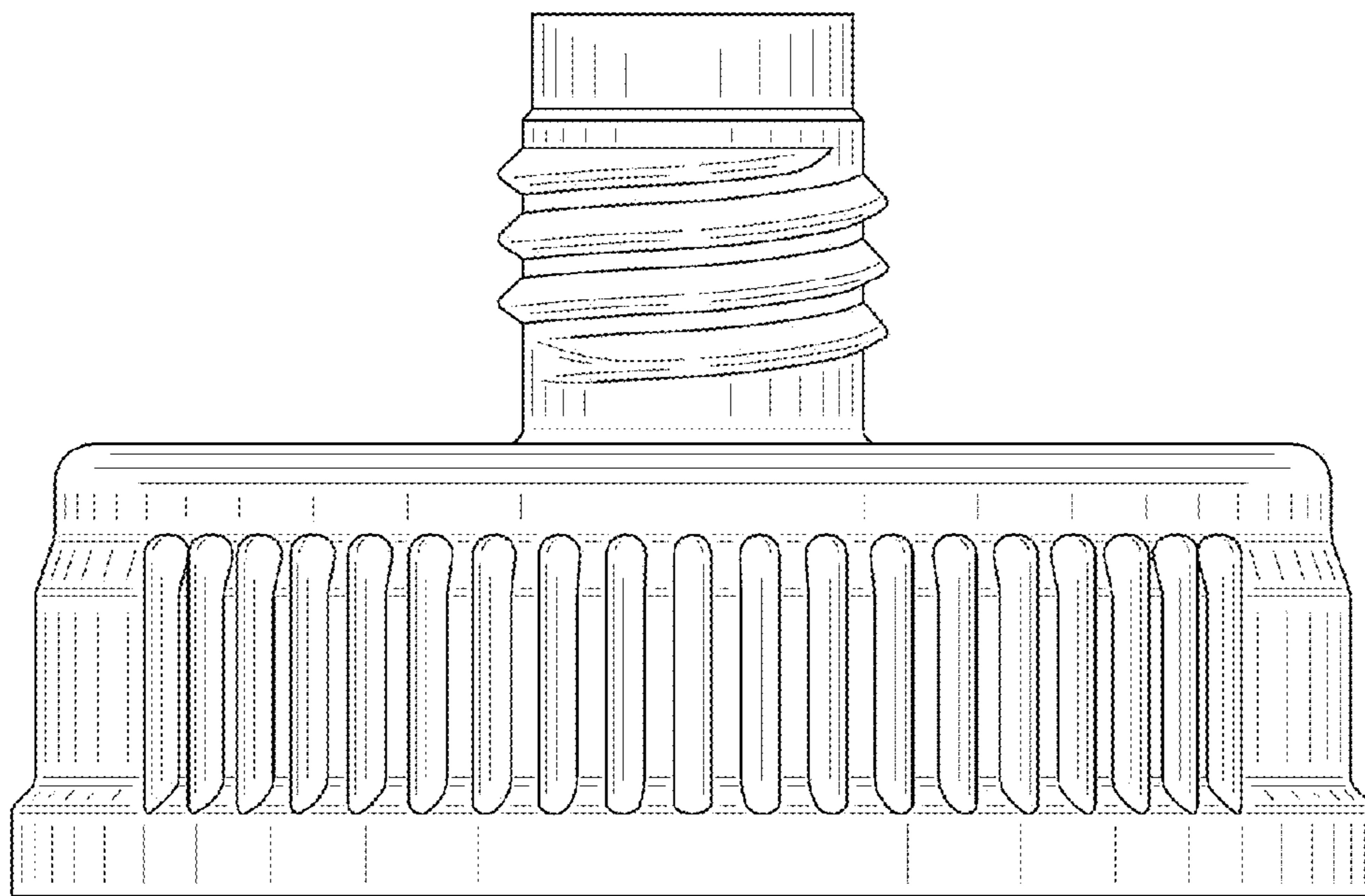


FIG. 11

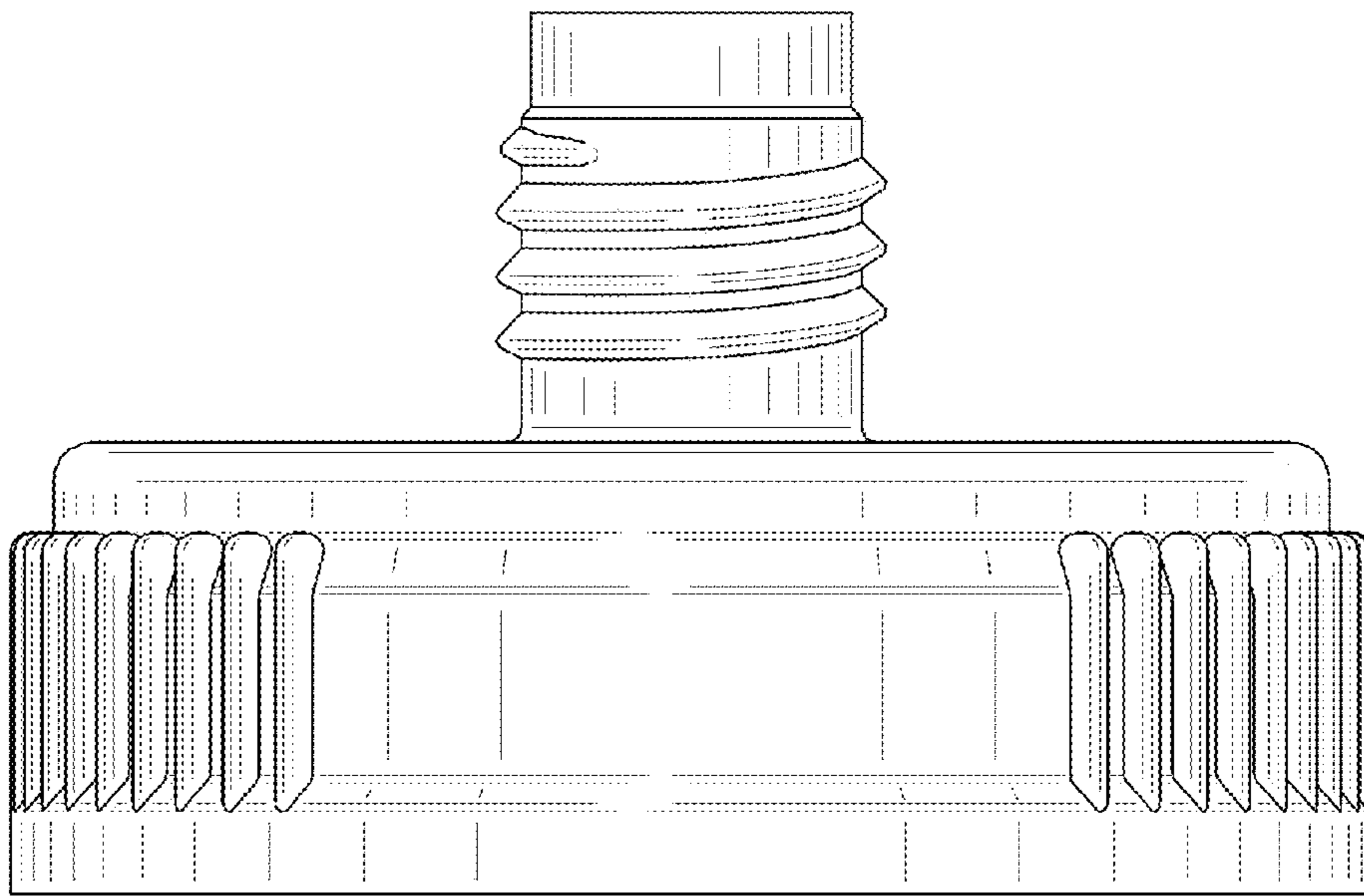


FIG. 12

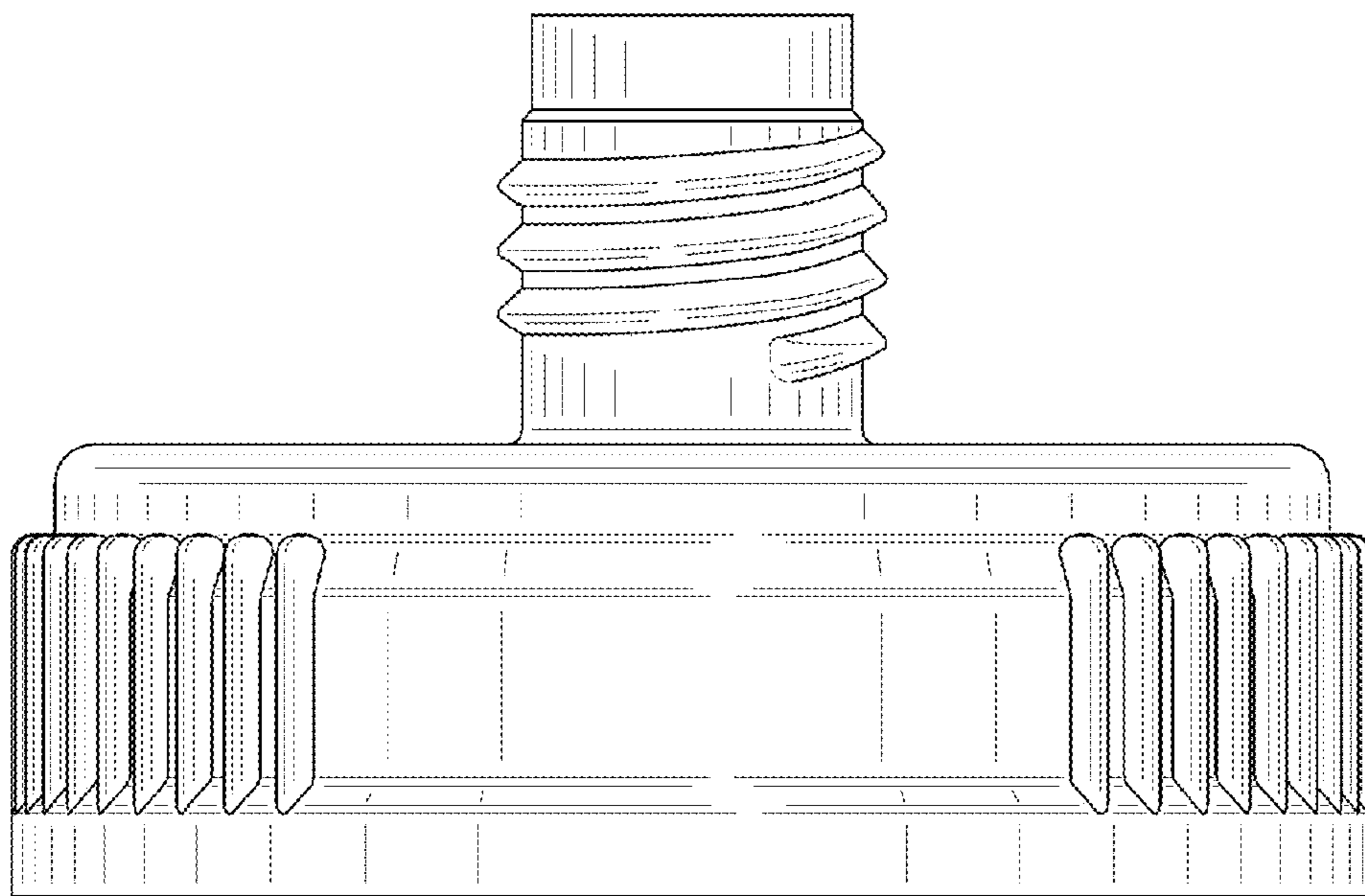


FIG. 13

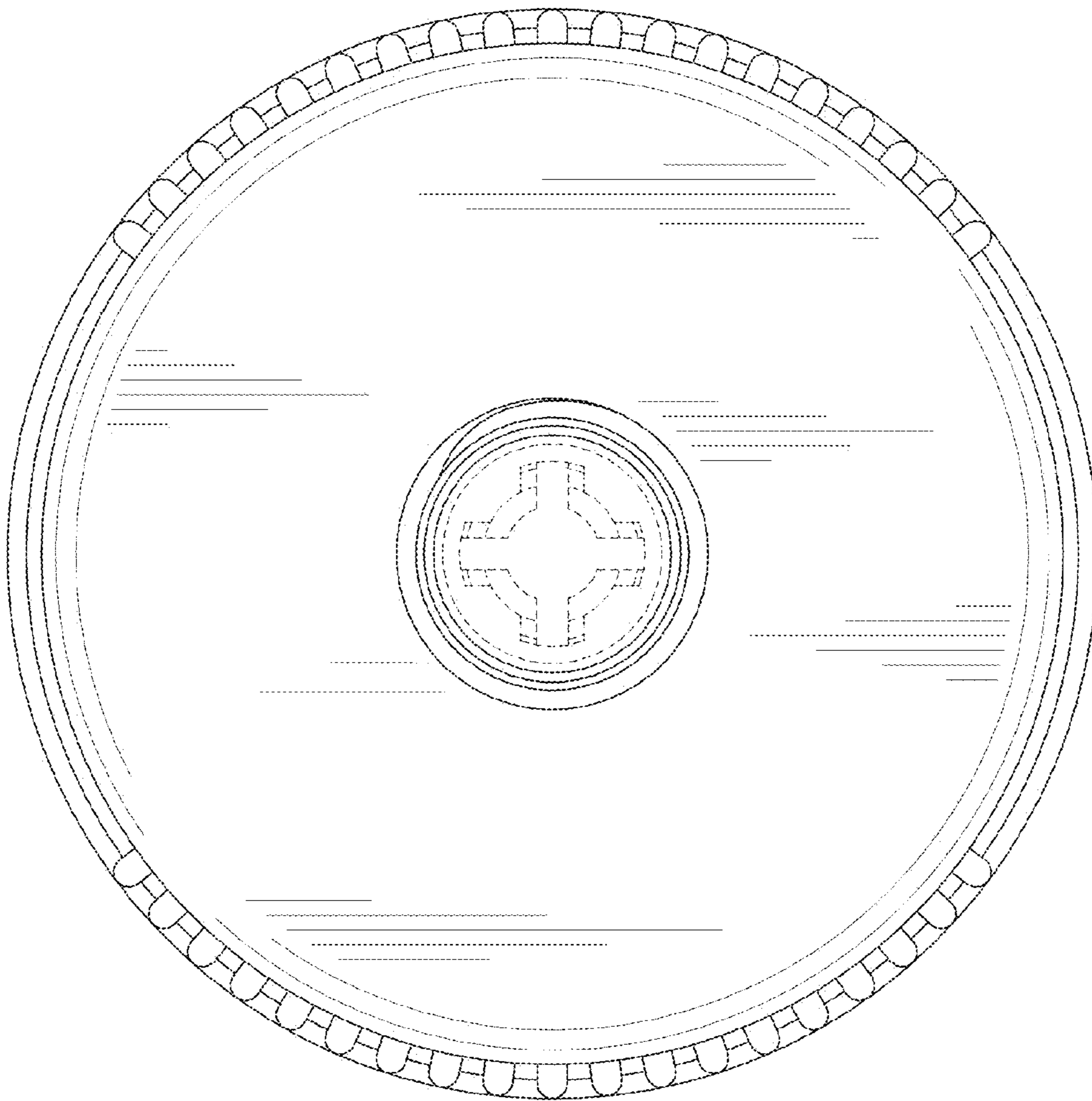


FIG. 14

