



US00D715146S

(12) **United States Design Patent**
Holmes

(10) **Patent No.:** **US D715,146 S**

(45) **Date of Patent:** **** Oct. 14, 2014**

(54) **SPOUT FOR A PUSH-PULL CLOSURE**

(71) Applicant: **Obrist Closures Switzerland GmbH,**
Reinach (CH)

(72) Inventor: **Daniel Holmes,** Watford (GB)

(73) Assignee: **Obrist Closures Switzerland GmbH,**
Reinach (CH)

(**) Term: **14 Years**

(21) Appl. No.: **29/464,118**

(22) Filed: **Aug. 13, 2013**

(30) **Foreign Application Priority Data**

Feb. 19, 2013 (GB) 4028690

(51) **LOC (10) Cl.** **09-07**

(52) **U.S. Cl.**
USPC **D9/447**

(58) **Field of Classification Search**

USPC D6/452-545; D7/300, 321, 392.1,
D7/396.2, 500, 507, 509, 510, 511, 900;
D9/434-448, 452-455, 682, 685, 694;
215/200, 235, 236, 252, 254, 329,
215/355-364; 220/203.04-203.07, 220,
220/254.1, 254.4, 556, 703, 704, 705

See application file for complete search history.

(56) **References Cited**

U.S. PATENT DOCUMENTS

1,898,342 A * 2/1933 Cuthbert 215/329
D263,805 S * 4/1982 Seager D9/450

D292,232 S * 10/1987 Forman et al. D24/224
D309,710 S * 8/1990 Groves D9/503
D402,558 S * 12/1998 Klima et al. D9/448
5,975,369 A * 11/1999 Yurkewicz et al. 222/153.06
D513,986 S * 1/2006 Healy et al. D9/445
8,157,130 B2 * 4/2012 Murayama et al. 222/95
D669,354 S * 10/2012 Davis et al. D9/454
D691,420 S * 10/2013 McIntire D7/510
2003/0230546 A1 * 12/2003 Yurkewicz et al. 215/251
2005/0092785 A1 * 5/2005 Hearld et al. 222/525
2013/0214012 A1 * 8/2013 Pils et al. 222/524

* cited by examiner

Primary Examiner — Robert M Spear

Assistant Examiner — Marissa Cash

(74) *Attorney, Agent, or Firm* — Alleman Hall McCoy
Russell & Tuttle LLP

(57) **CLAIM**

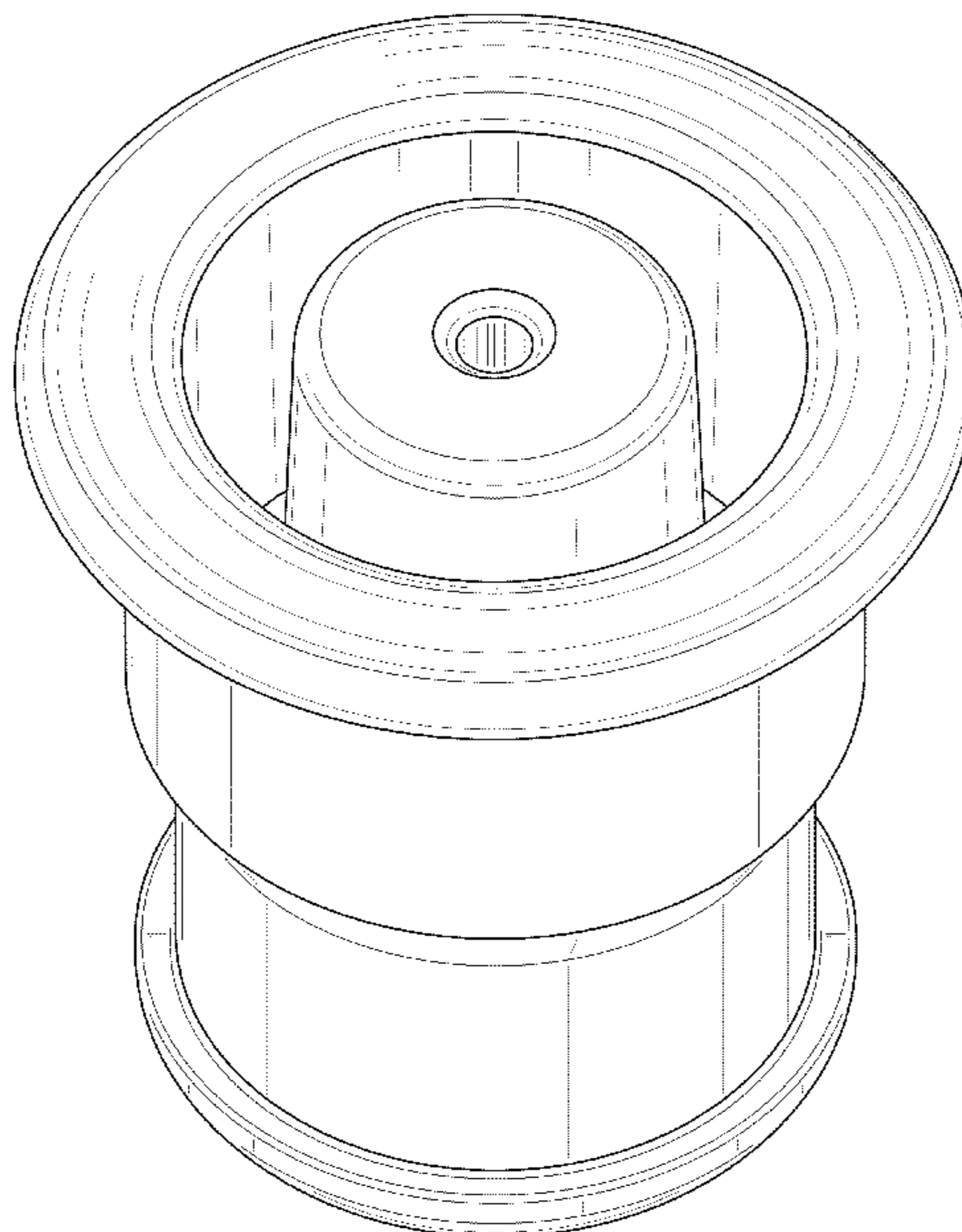
The ornamental design for a spout for a push-pull closure, as shown and described.

DESCRIPTION

FIG. 1 is a top-front perspective view of a design for a spout for a push-pull closure according to the present disclosure. FIG. 2 is a front view of the spout for the push-pull closure of FIG. 1; and, FIG. 3 is a top view of the spout for the push-pull closure of FIG. 1.

The solid lines in FIGS. 1-3 illustrate a spout for a push-pull closure according to the present disclosure. The broken lines form no part of the claimed design. Rear, bottom, left, and right views are not shown as they do not show any additional claimed features.

1 Claim, 3 Drawing Sheets



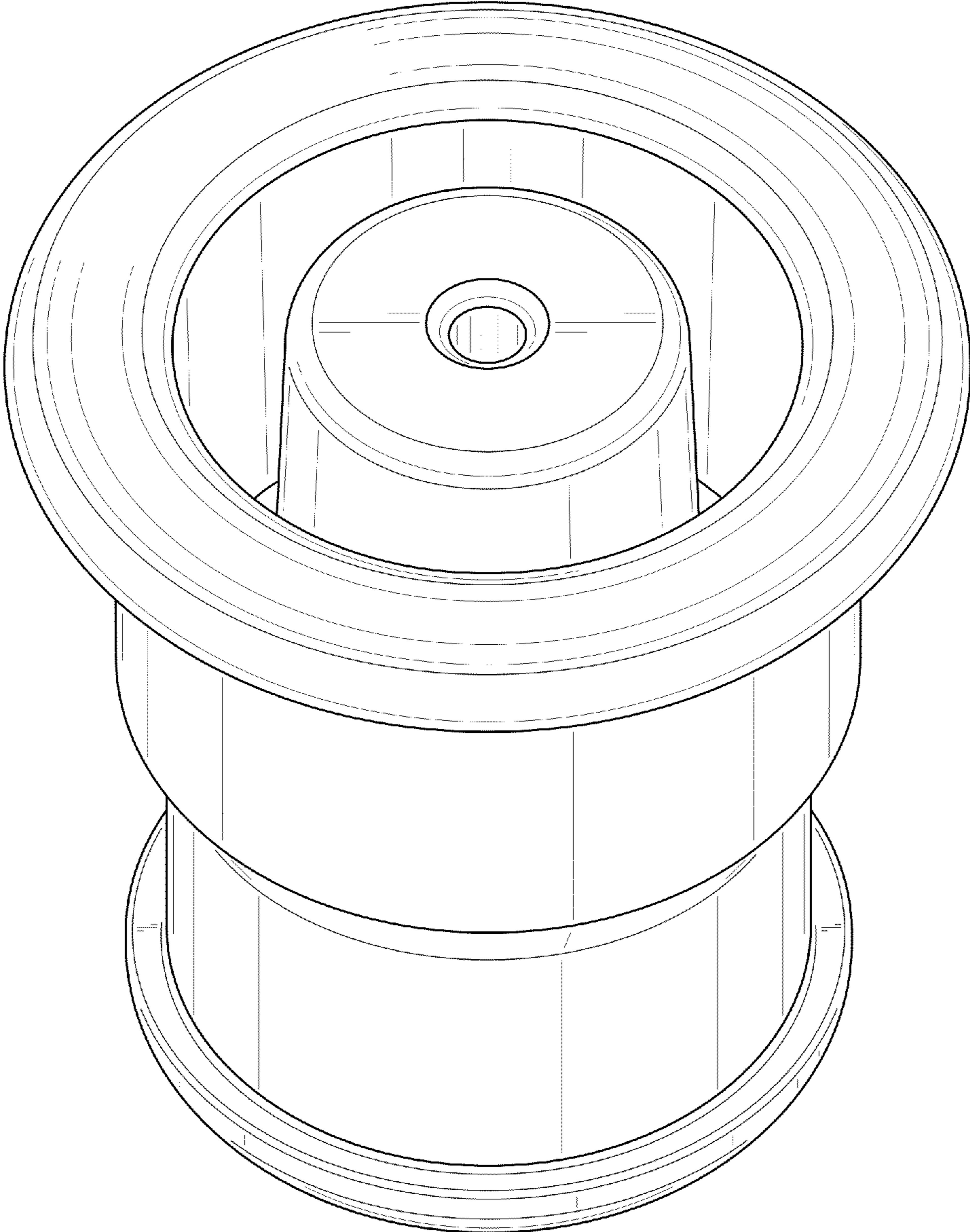


FIG. 1

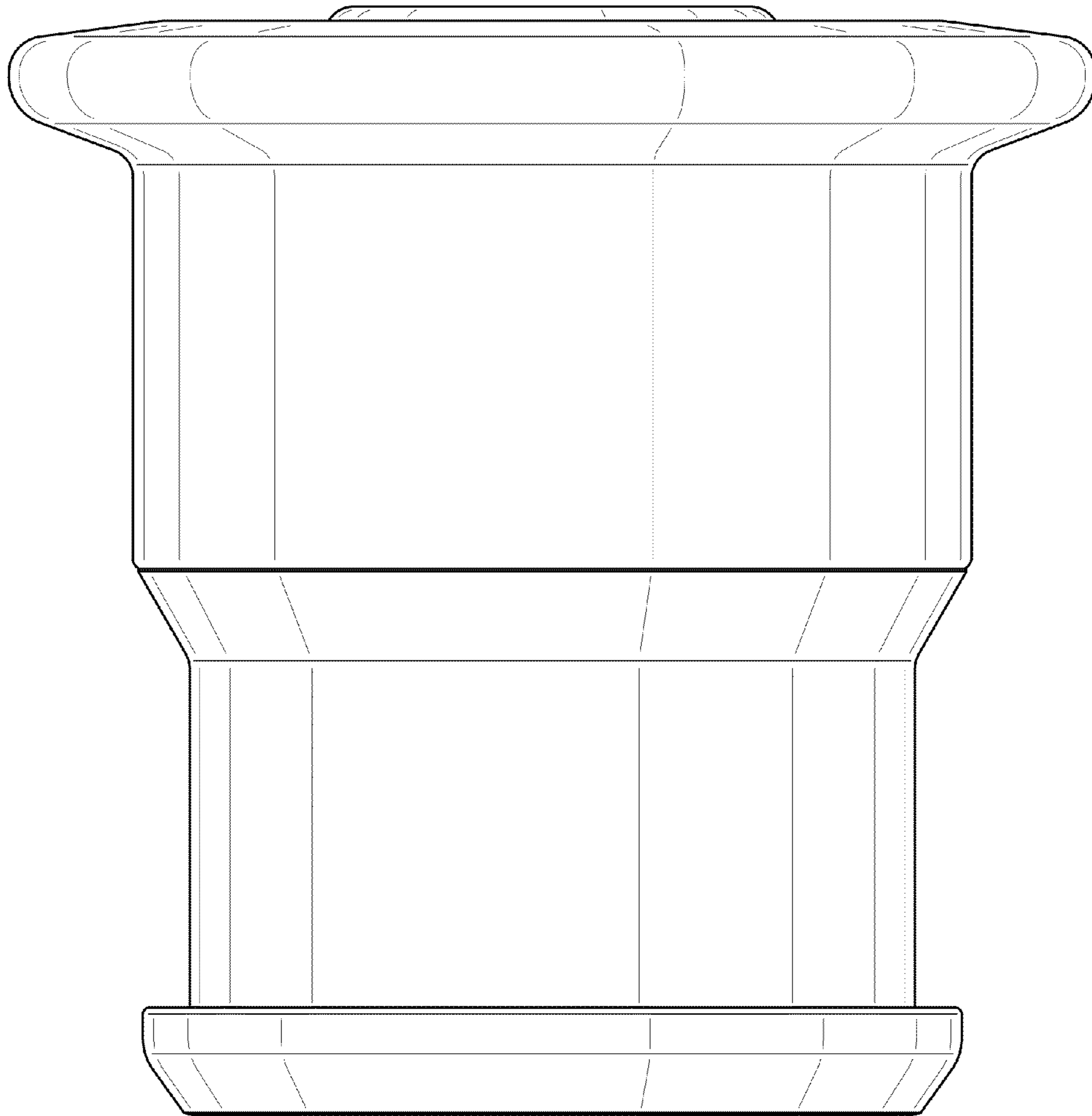


FIG. 2

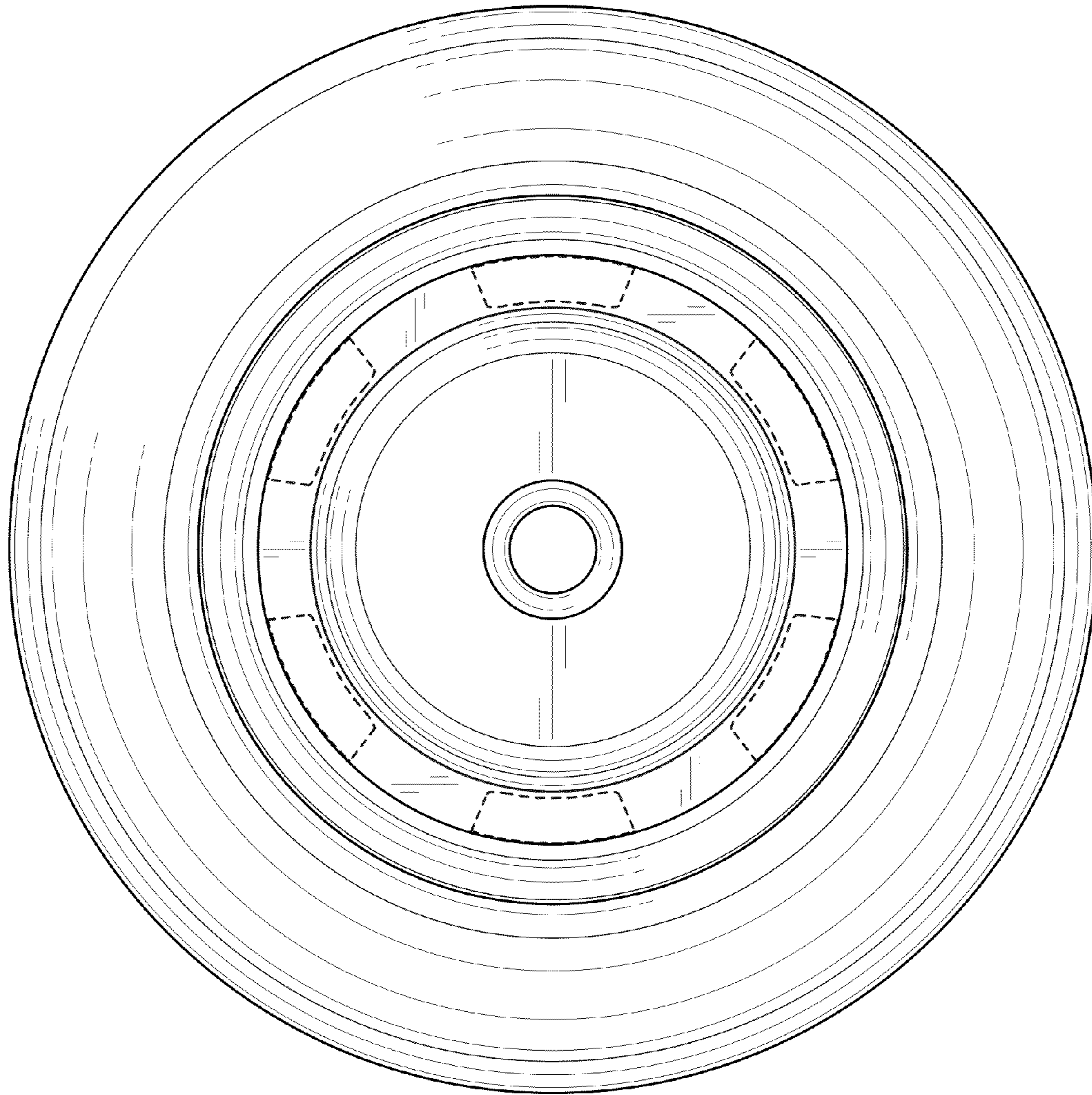


FIG. 3