



US00D715139S

(12) **United States Design Patent**
Marcinkowski

(10) **Patent No.:** **US D715,139 S**
(45) **Date of Patent:** **** Oct. 14, 2014**

(54) **PACKAGE**

(71) Applicant: **The Gillette Company**, Boston, MA
(US)

(72) Inventor: **Stanley Michael Marcinkowski**,
Peabody, MA (US)

(73) Assignee: **The Gillette Company**, Boston, MA
(US)

(**) Term: **14 Years**

(21) Appl. No.: **29/476,401**

(22) Filed: **Dec. 13, 2013**

(51) **LOC (10) Cl.** **09-03**

(52) **U.S. Cl.**
USPC **D9/424**

(58) **Field of Classification Search**

CPC . Y10S 206/822; Y10S 206/823; B65D 75/30;
B65D 75/32; B65D 75/322; B65D 75/366;
B65D 5/4204; B65D 83/10; B65D 73/00;
B65D 73/0042; B65D 73/0064; B65D
73/0085; B65D 73/0092; B65D 85/00; B65D
2543/00296; B65D 25/54; A45D 27/22;
A45D 27/24; A45D 27/225
USPC D9/414, 415, 418, 424, 715, 722, 732,
D9/735; 206/216, 352-360, 461-471, 575,
206/756, 581, 769, 775, 776, 779, 806

See application file for complete search history.

(56) **References Cited**

U.S. PATENT DOCUMENTS

3,970,194	A *	7/1976	Iten	206/228
5,407,066	A *	4/1995	Grange	206/228
D436,854	S *	1/2001	Feldmeier	D9/434
6,499,595	B1 *	12/2002	Petricca	206/356
7,108,134	B2 *	9/2006	Ishii et al.	206/440
D595,126	S *	6/2009	Marcinkowski	D9/418
8,256,618	B2 *	9/2012	Schein et al.	206/576
8,261,909	B2 *	9/2012	Sorrentino et al.	206/362.4
D684,045	S *	6/2013	Frees et al.	D9/424
8,573,397	B1 *	11/2013	Fager et al.	206/469
2013/0319896	A1 *	12/2013	Corbat et al.	206/470

* cited by examiner

Primary Examiner — Derrick Holland

Assistant Examiner — Lauren Calve

(74) *Attorney, Agent, or Firm* — Ronald T. Sia; Kevin C. Johnson; Steven W. Miller

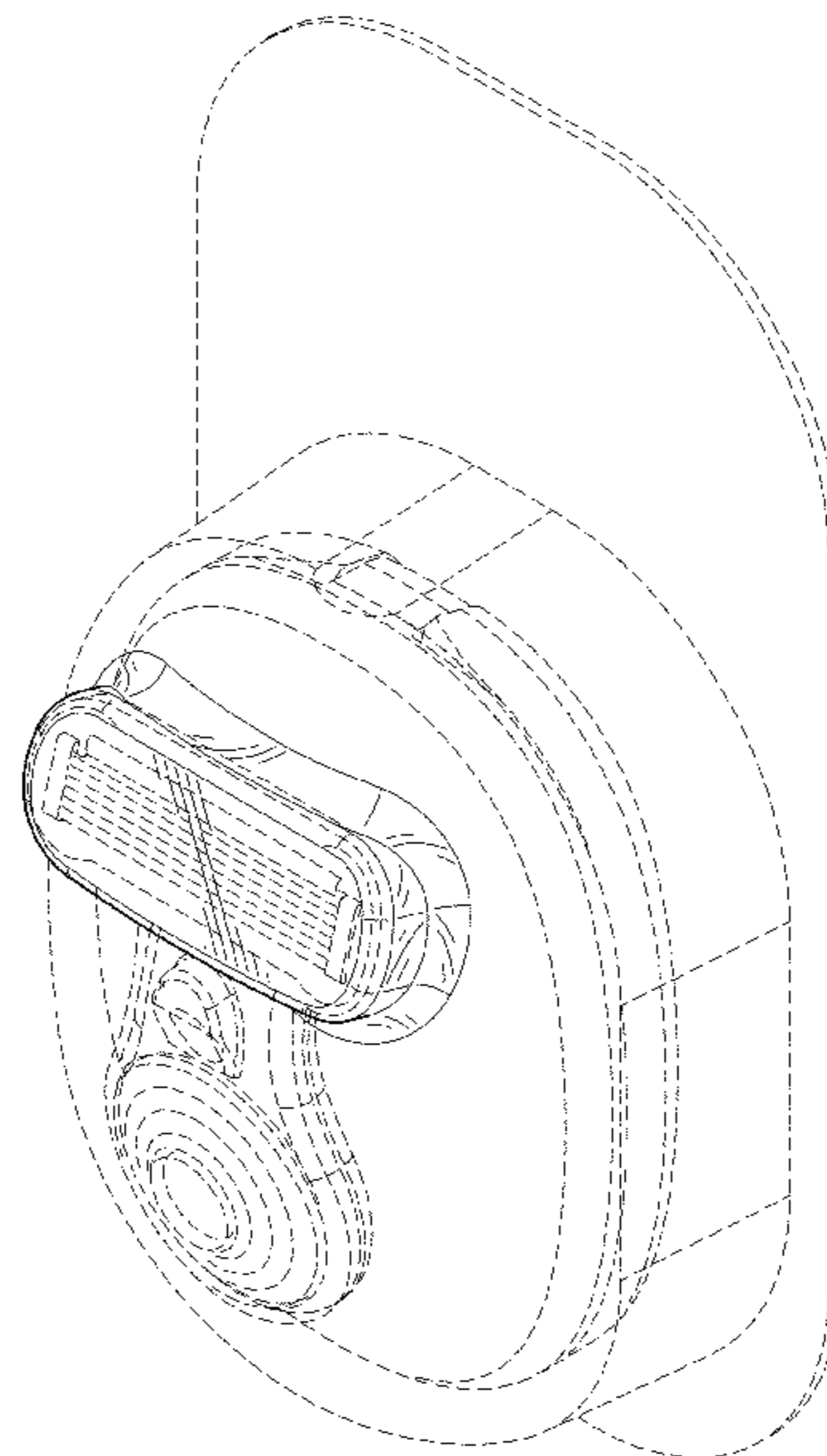
(57) **CLAIM**

The ornamental design for a package, as shown and described.

DESCRIPTION

FIG. 1 is a top perspective view of a package in accordance with the present invention;
FIG. 2 is a front view of the package of FIG. 1;
FIG. 3 is a rear view of the package of FIG. 1;
FIG. 4 is first side view of the package of FIG. 1;
FIG. 5 is second side view of the package of FIG. 1, opposite the view shown in FIG. 4;
FIG. 6, is a top view of the package of FIG. 1;
FIG. 7 is a bottom view of the package of FIG. 1; and,
FIG. 8 is a bottom perspective view of the package of FIG. 1. The broken lines shown in FIGS. 1-8 represent unclaimed subject matter and form no part of the claimed design.

1 Claim, 6 Drawing Sheets



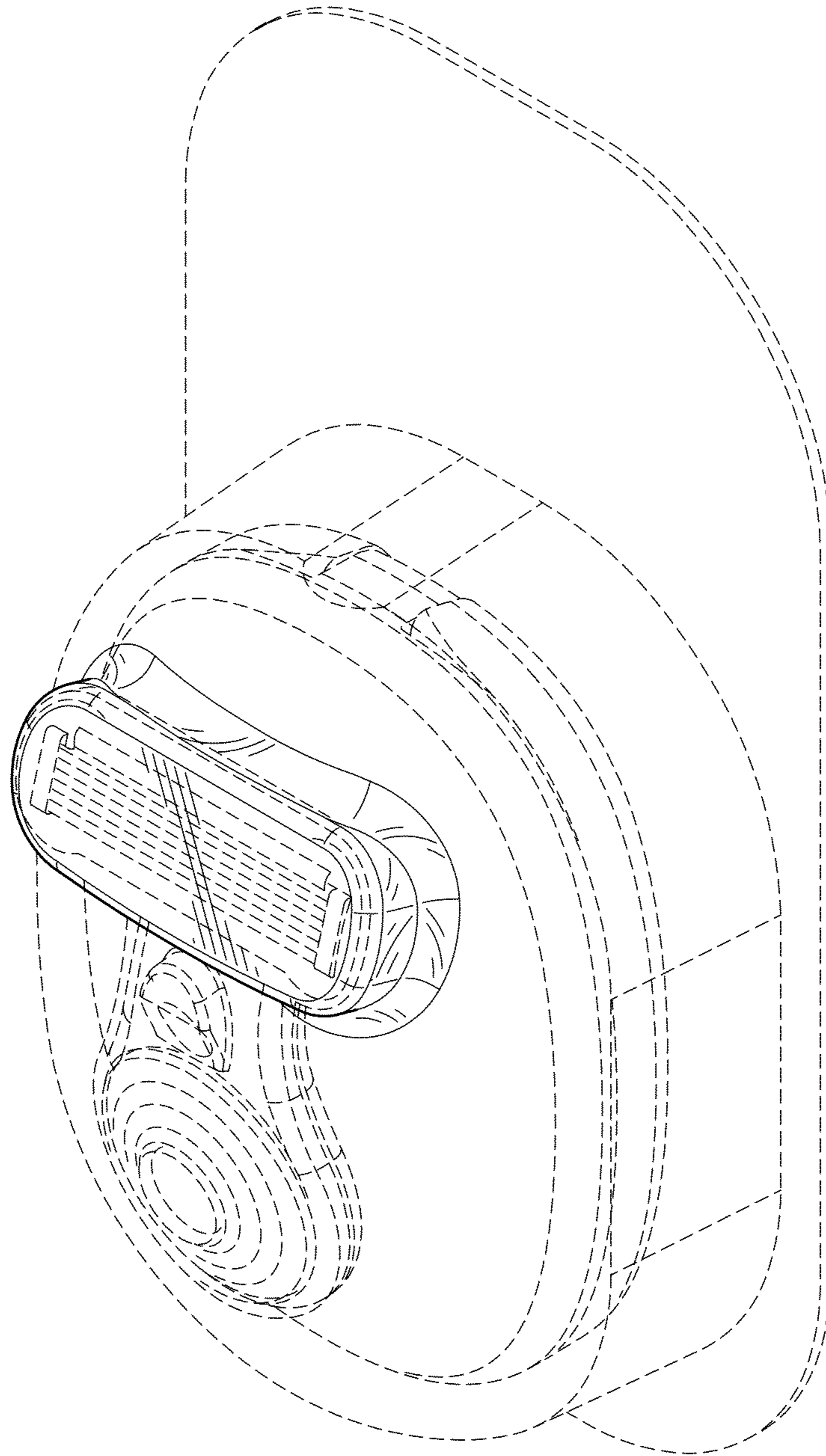


FIG. 1

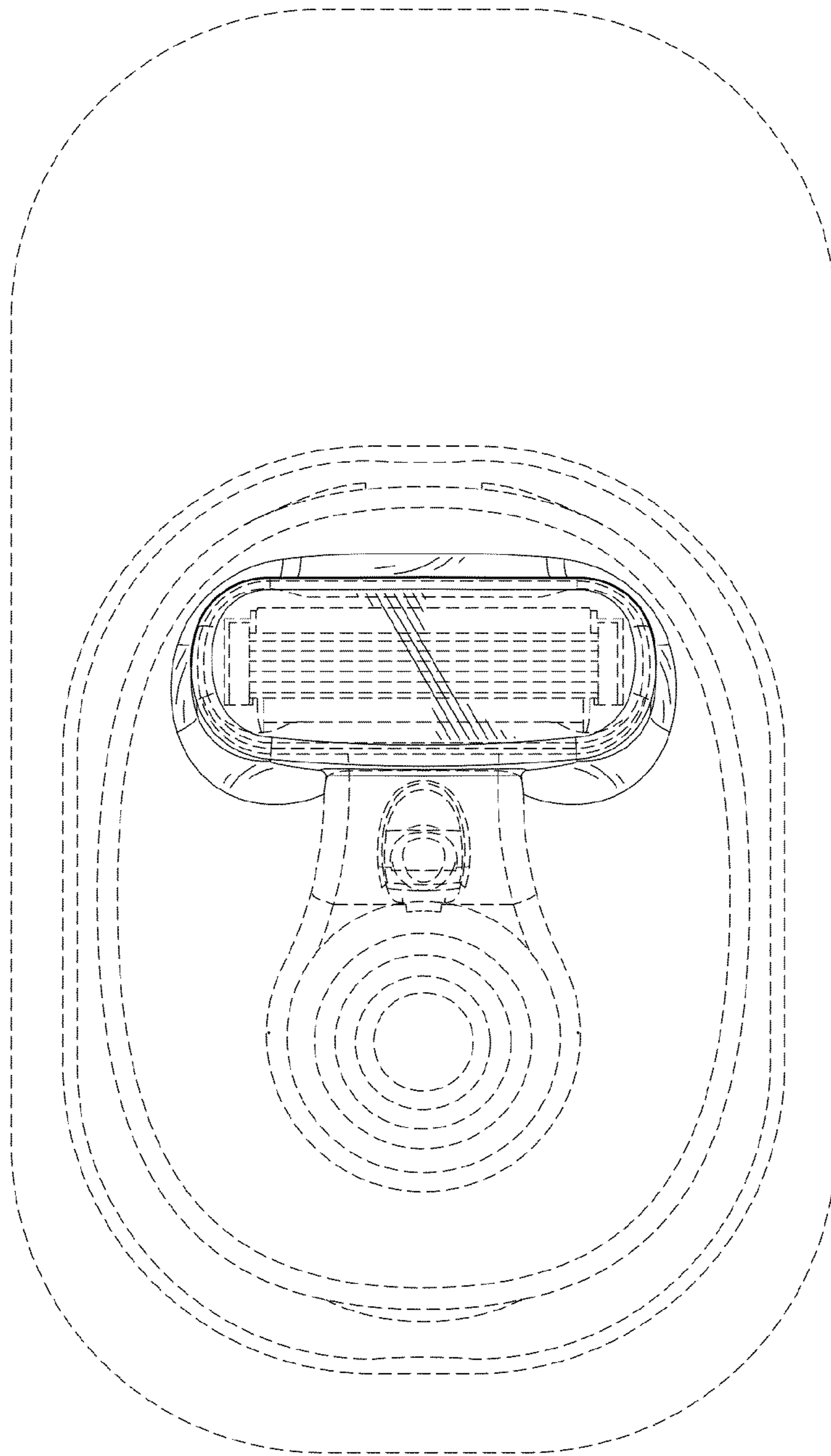


FIG. 2



FIG. 3

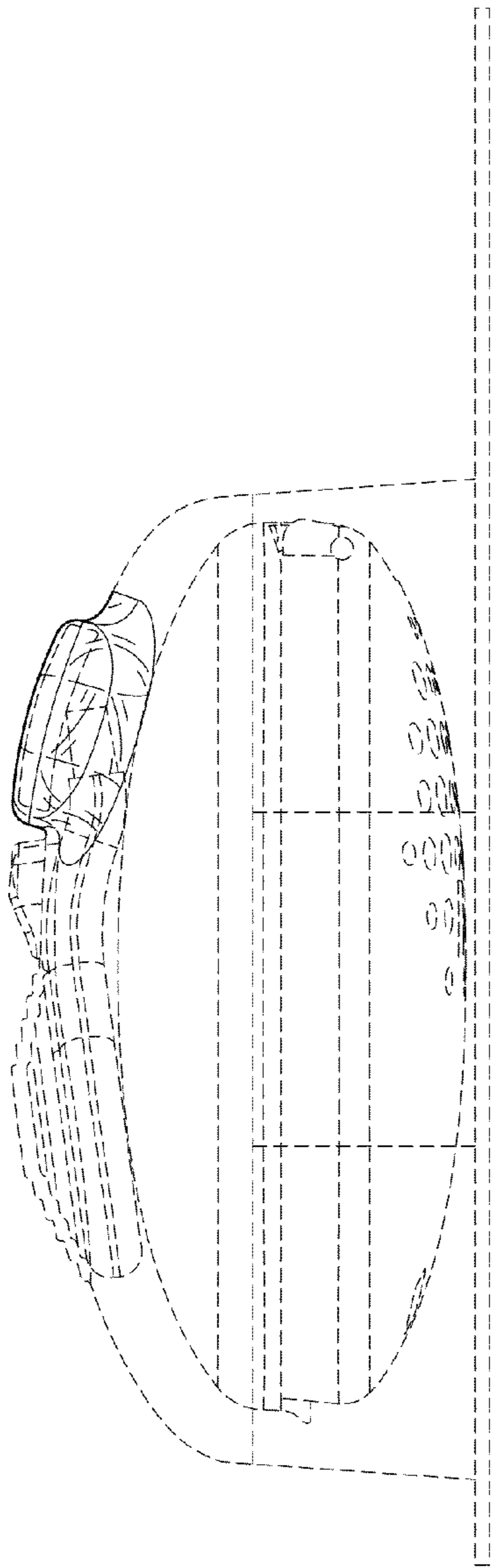


FIG. 4

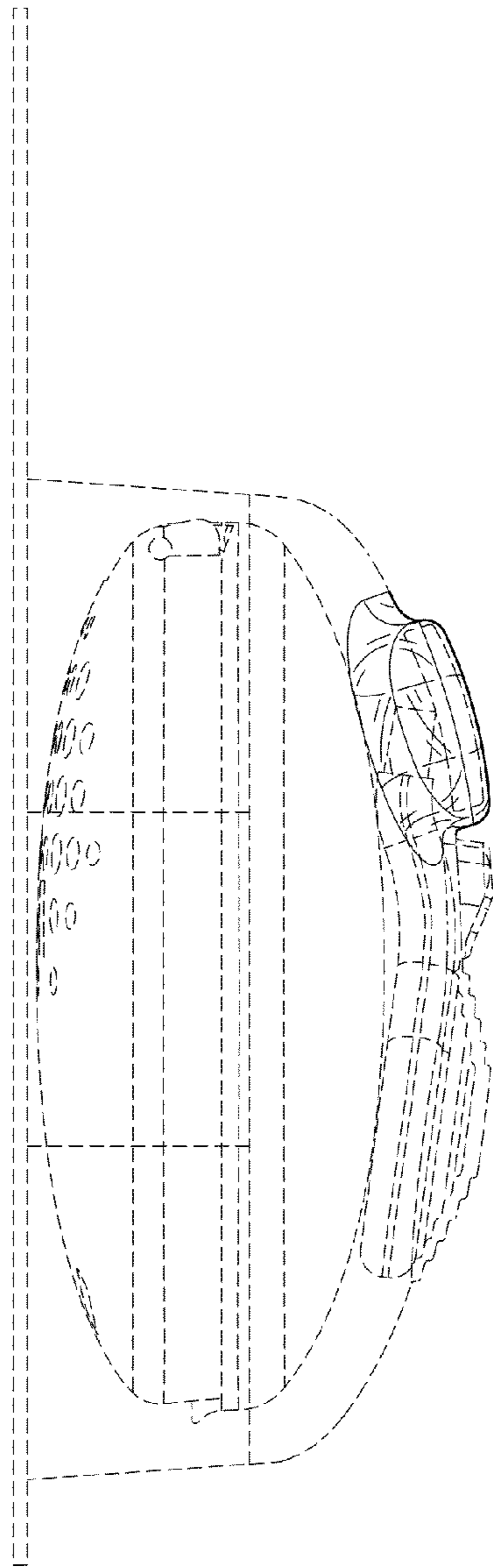


FIG. 5

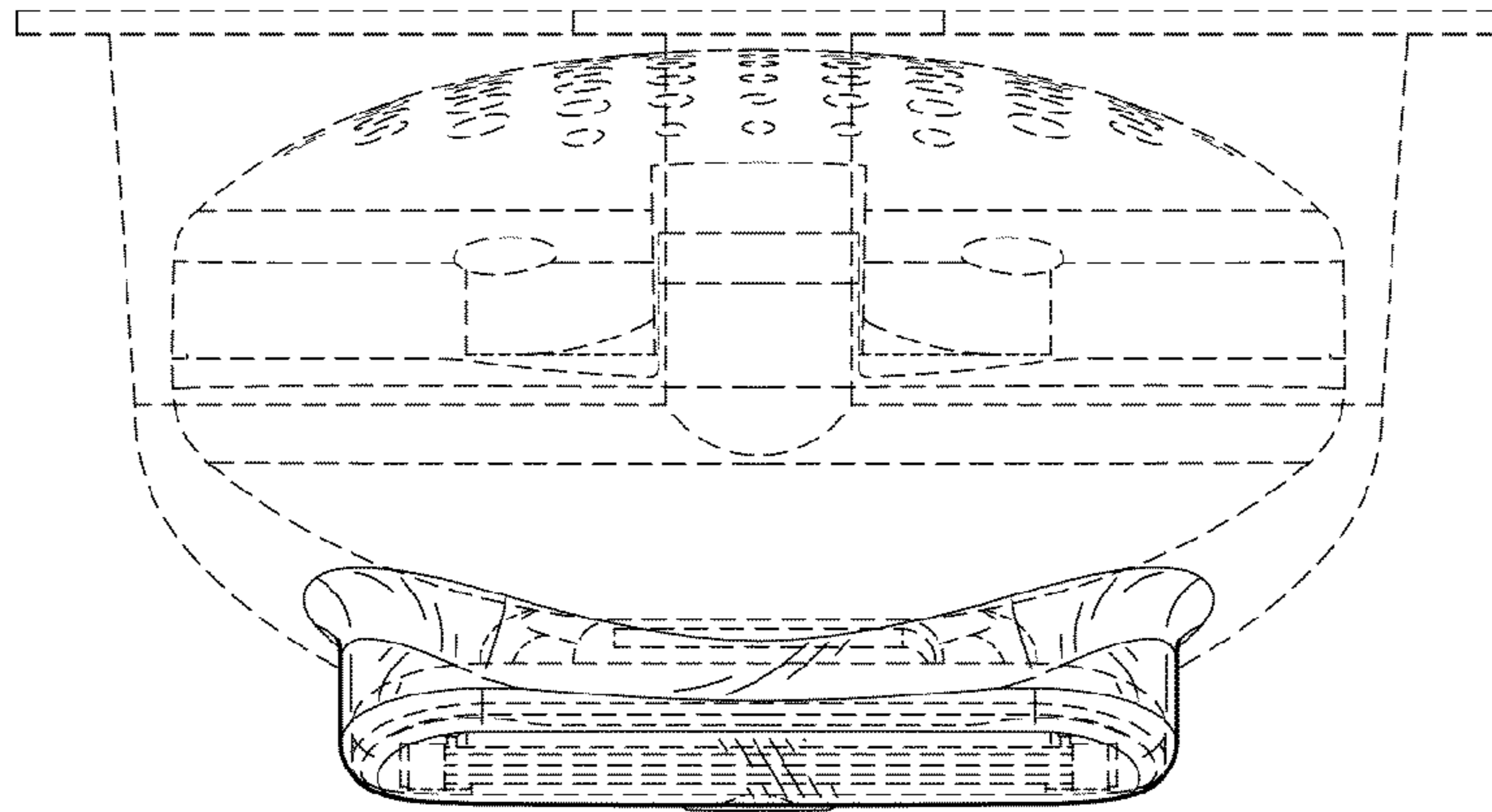


FIG. 6

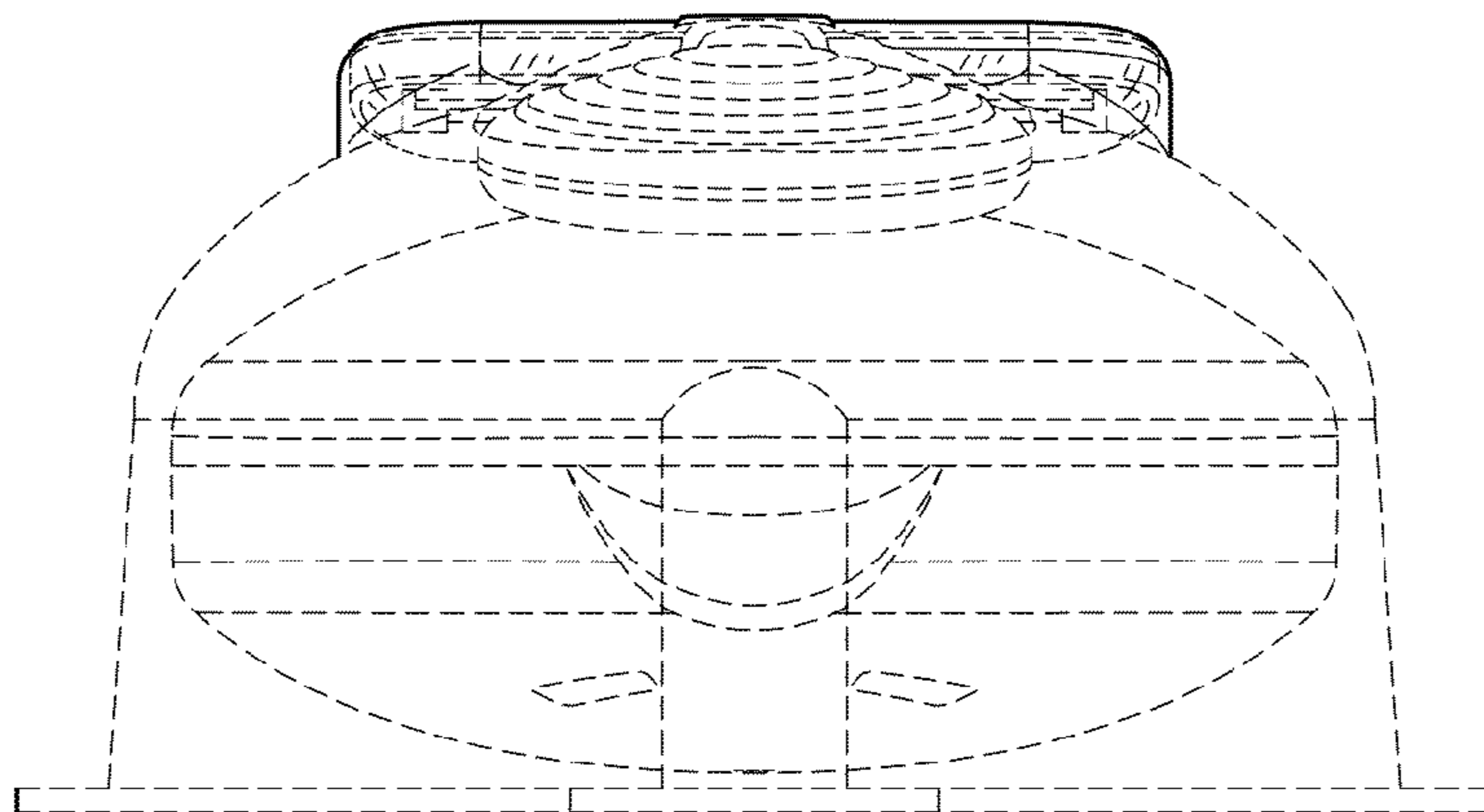


FIG. 7

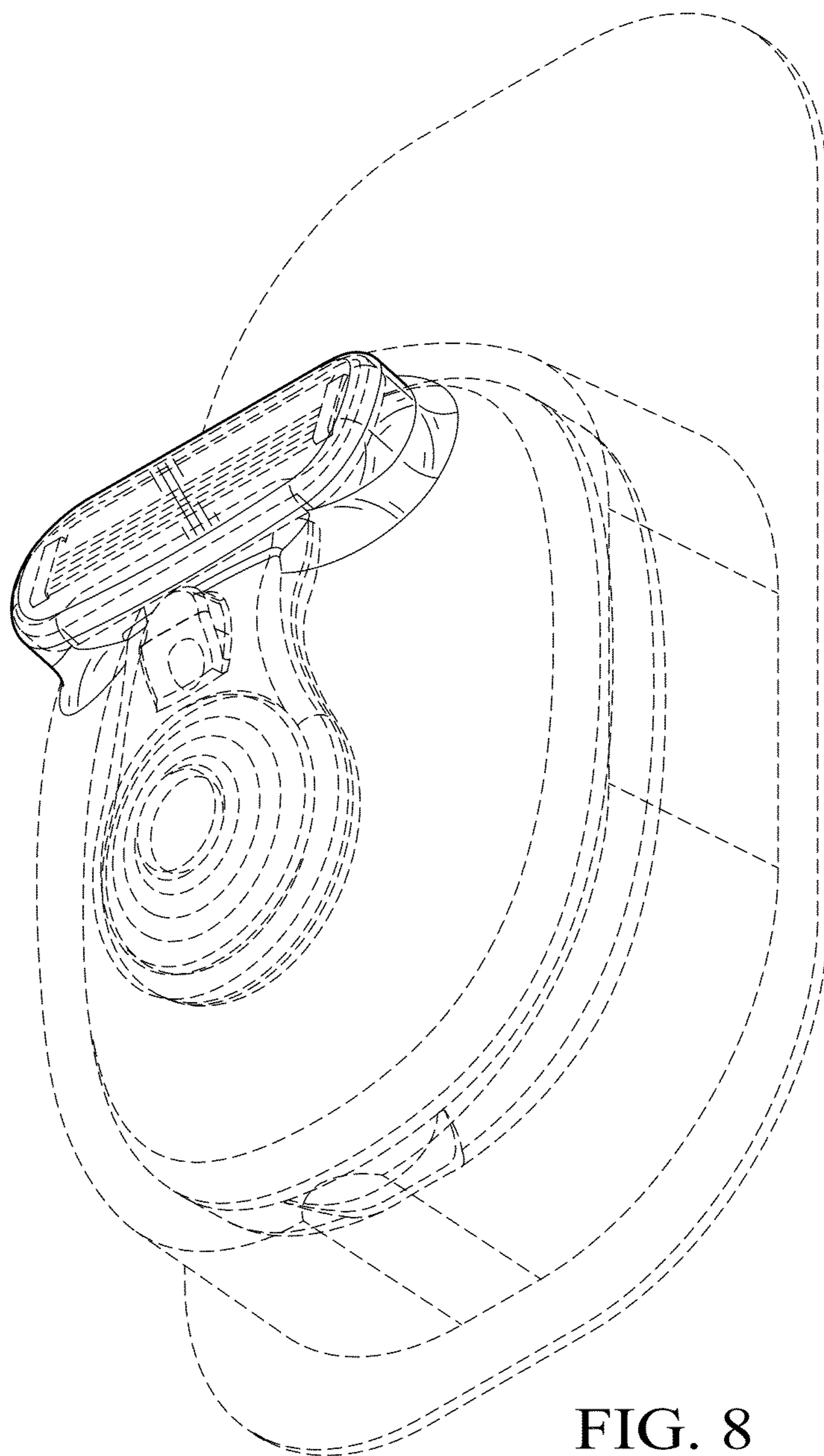


FIG. 8