



US00D715138S

(12) **United States Design Patent**
Akana et al.

(10) **Patent No.:** **US D715,138 S**
(45) **Date of Patent:** **** *Oct. 14, 2014**

(54) **PACKAGE**

(71) Applicant: **Apple Inc.**, Cupertino, CA (US)

(72) Inventors: **Jody Akana**, San Francisco, CA (US);
Bartley K. Andre, Palo Alto, CA (US);
Shota Aoyagi, San Francisco, CA (US);
Jeremy Bataillou, San Francisco, CA
(US); **Daniel J. Coster**, San Francisco,
CA (US); **Daniele De Iuliis**, San
Francisco, CA (US); **M. Evans Hankey**,
San Francisco, CA (US); **Julian Hoenig**,
San Francisco, CA (US); **Richard P.**
Howarth, San Francisco, CA (US);
Jonathan P. Ive, San Francisco, CA
(US); **Duncan Robert Kerr**, San
Francisco, CA (US); **Matthew Dean**
Rohrbach, San Francisco, CA (US);
Peter Russell-Clarke, San Francisco,
CA (US); **Mikael Silvanto**, San
Francisco, CA (US); **Christopher J.**
Stringer, Woodside, CA (US); **Eugene**
Antony Whang, San Francisco, CA
(US); **Rico Zörkendörfer**, San
Francisco, CA (US)

(73) Assignee: **Apple Inc.**, Cupertino, CA (US)

(*) Notice: This patent is subject to a terminal dis-
claimer.

(**) Term: **14 Years**

(21) Appl. No.: **29/457,054**

(22) Filed: **Jun. 6, 2013**

Related U.S. Application Data

(63) Continuation of application No. 29/436,744, filed on
Nov. 8, 2012, now Pat. No. Des. 712,246.

(51) **LOC (10) Cl.** **09-03**

(52) **U.S. Cl.**
USPC **D9/418**

(58) **Field of Classification Search**

USPC D9/415, 414, 416, 418, 419, 428, 442,
D9/447, 430, 432-433, 456, 424, 503, 501,
D9/695, 696, 697, 699, 690, 686, 688, 689,
D9/711, 715, 721, 710, 718, 736, 740, 743,

D9/744, 749, 757, 767, 772, 781, 753, 742,
D9/739, 72; 206/395, 397-398, 223, 736,
206/756, 495, 349, 760, 541, 784; 229/395,
229/938, 902, 409, 125.05, 116.1; D7/602,
D7/608, 607, 615, 611, 612, 619.1, 598
See application file for complete search history.

(56) **References Cited**

U.S. PATENT DOCUMENTS

D480,961 S * 10/2003 Deadman D9/414
D558,571 S * 1/2008 Andre et al. D9/432

(Continued)

OTHER PUBLICATIONS

U.S. Appl. No. 29/436,744, entitled "Package," filed Nov. 8, 2012.

(Continued)

Primary Examiner — Ian Simmons

Assistant Examiner — Rhea Shields

(74) *Attorney, Agent, or Firm* — SAIDMAN DesignLaw
Group

(57) **CLAIM**

The ornamental design for a package, as shown and
described.

DESCRIPTION

FIG. 1 is a left, front perspective view of a package showing
our new design, the right, front perspective view being a
mirror image thereof;

FIG. 2 is a front view thereof;

FIG. 3 is a rear view thereof;

FIG. 4 a left side view thereof;

FIG. 5 is a right side view thereof;

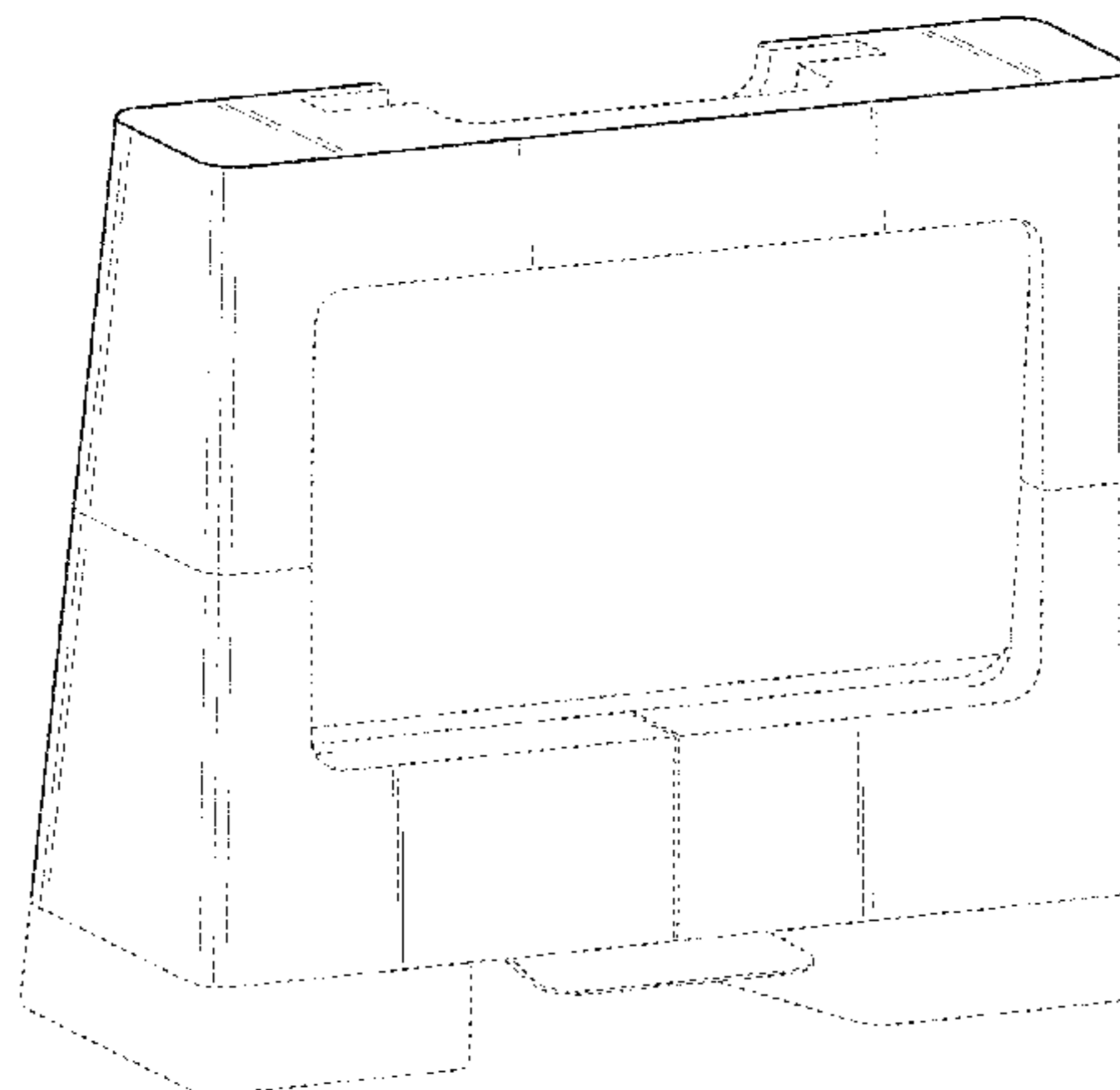
FIG. 6 is a top view thereof; and,

FIG. 7 is a bottom view thereof.

The broken lines illustrate environmental structure and form
no part of the claimed design.

The drawings include surface shading, which represents con-
tour and not surface ornamentation.

1 Claim, 5 Drawing Sheets



(56)

References Cited

U.S. PATENT DOCUMENTS

D641,259 S * 7/2011 Wilson et al. D9/751
D683,618 S * 6/2013 Shirosawa D9/424
2010/0264058 A1* 10/2010 Krause 206/745

OTHER PUBLICATIONS

U.S. Appl. No. 29/435,394, entitled "Packaging," filed Oct. 23, 2012.
Photos of iMac packaging, available at least as early as Nov. 8, 2011.

* cited by examiner

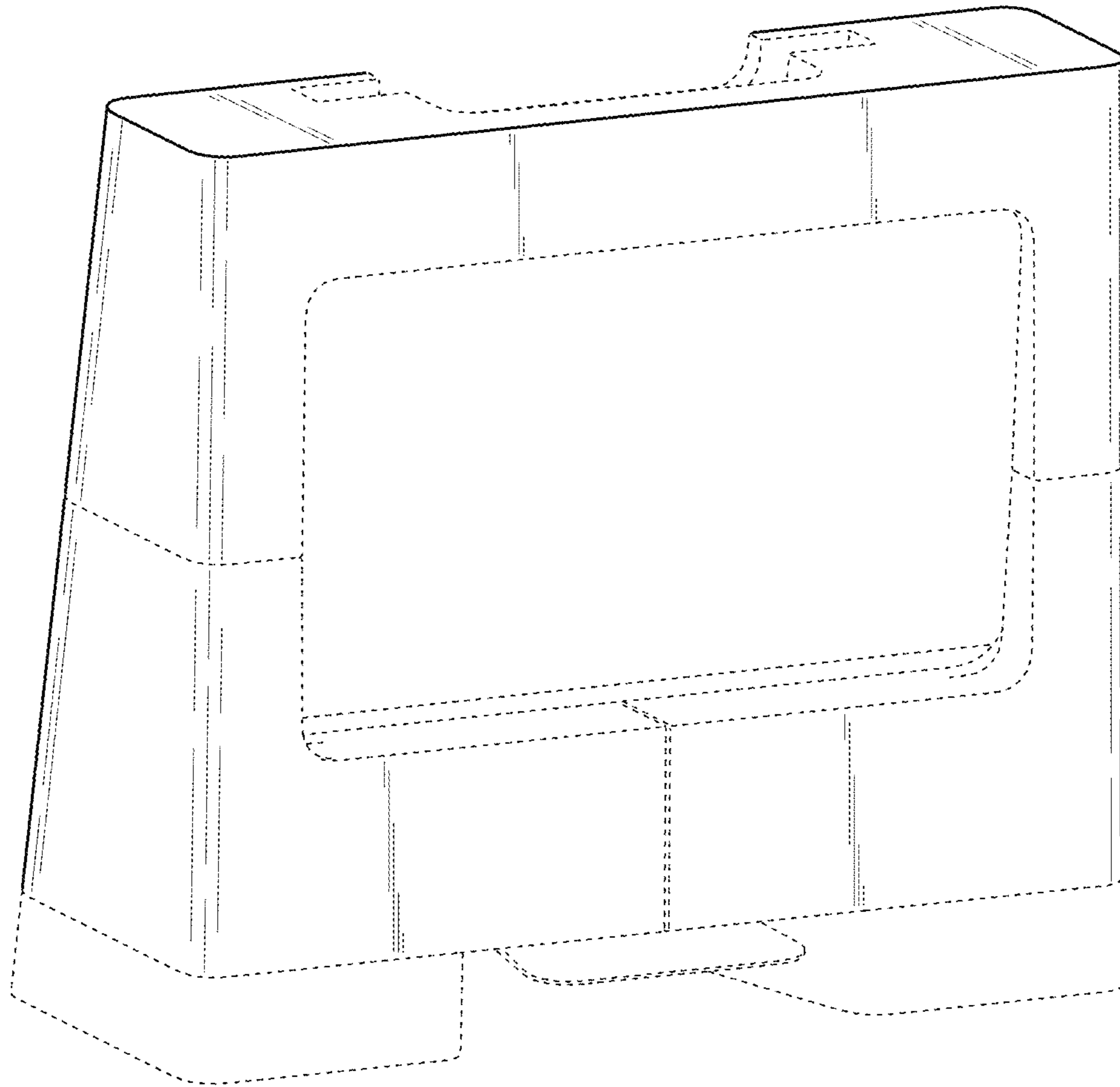


Fig. 1

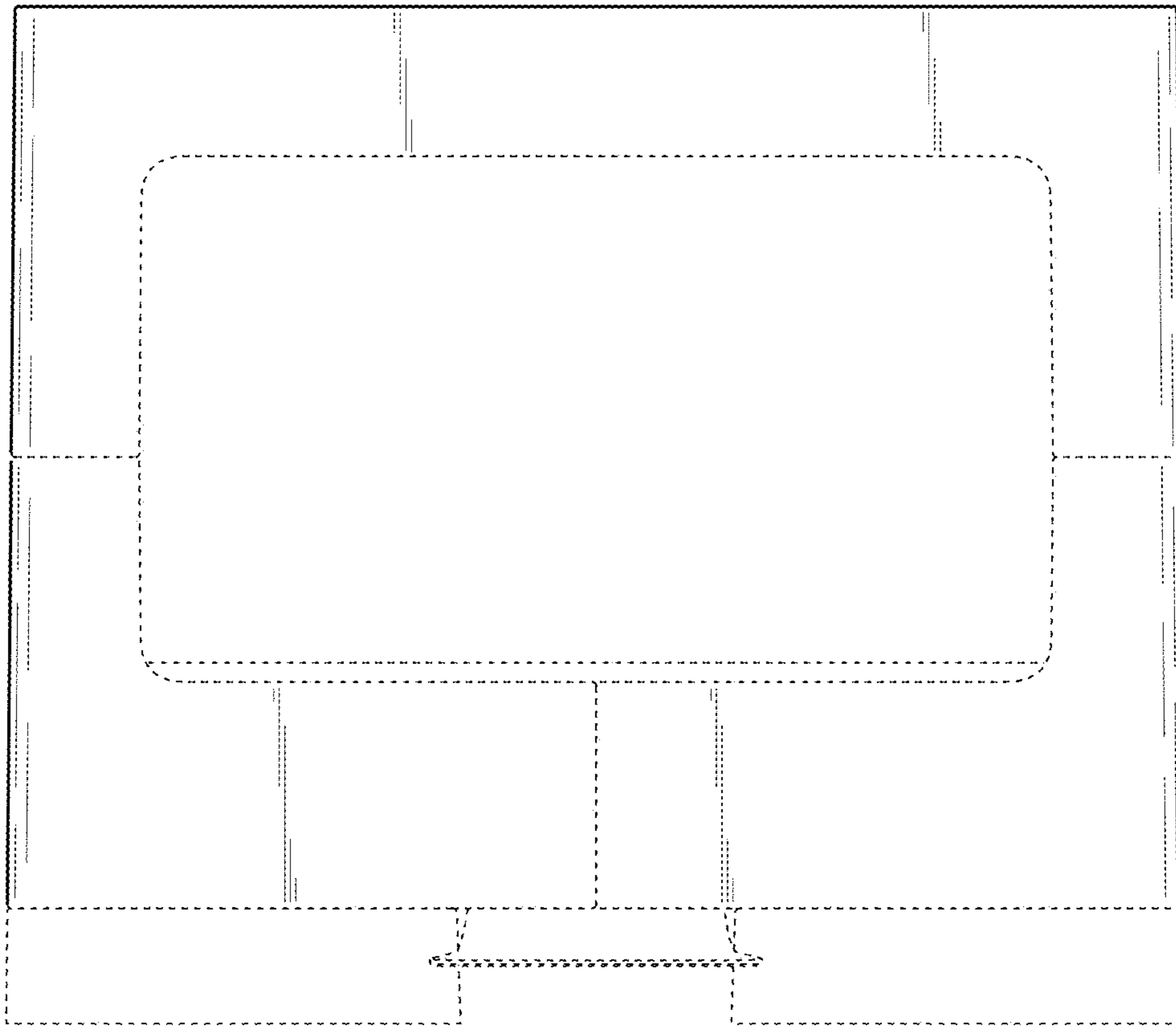


Fig. 2

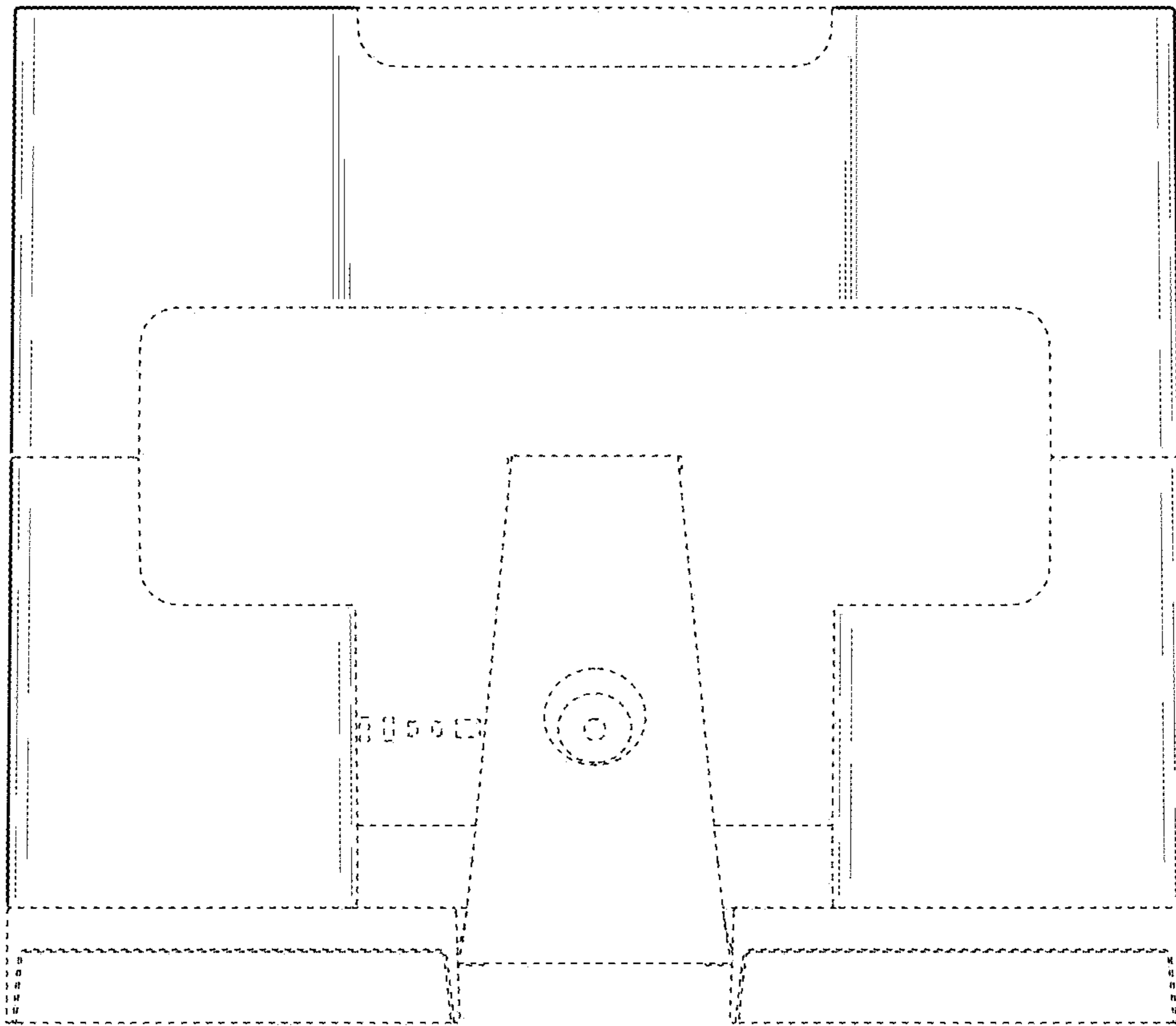


Fig. 3

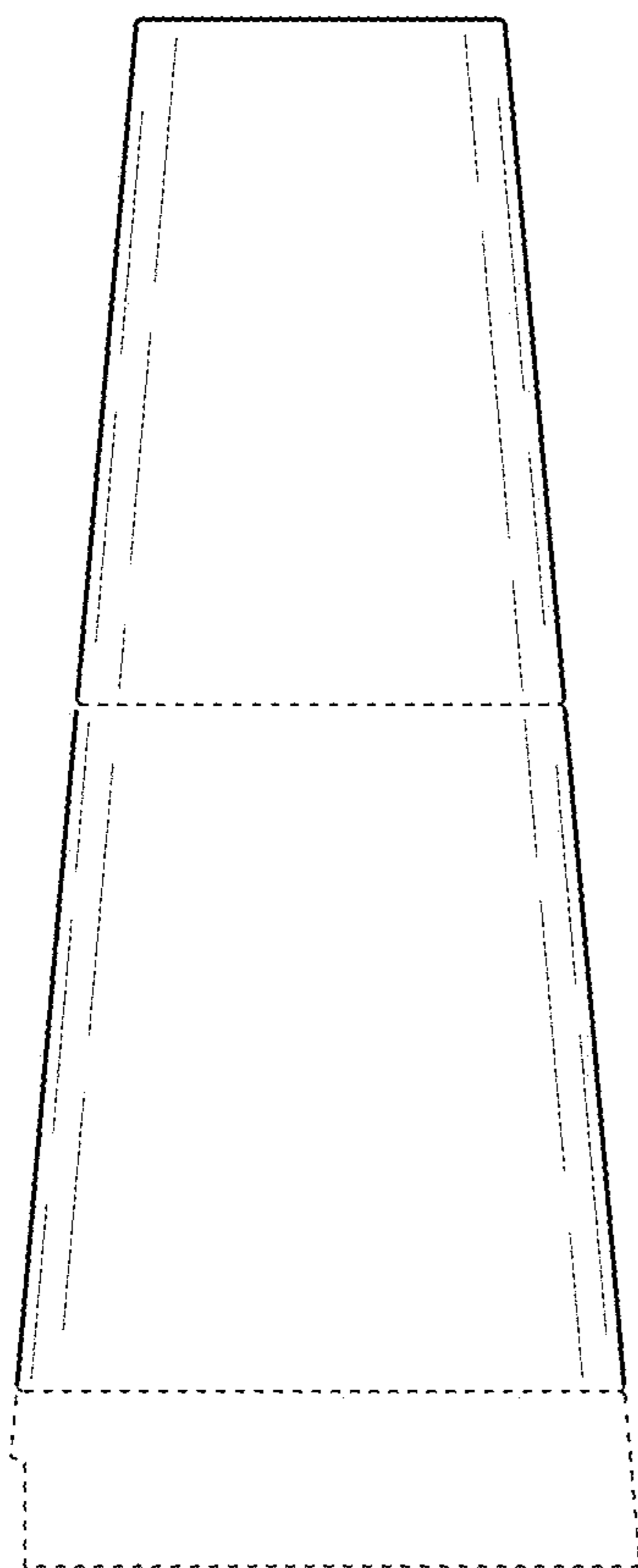


Fig. 4

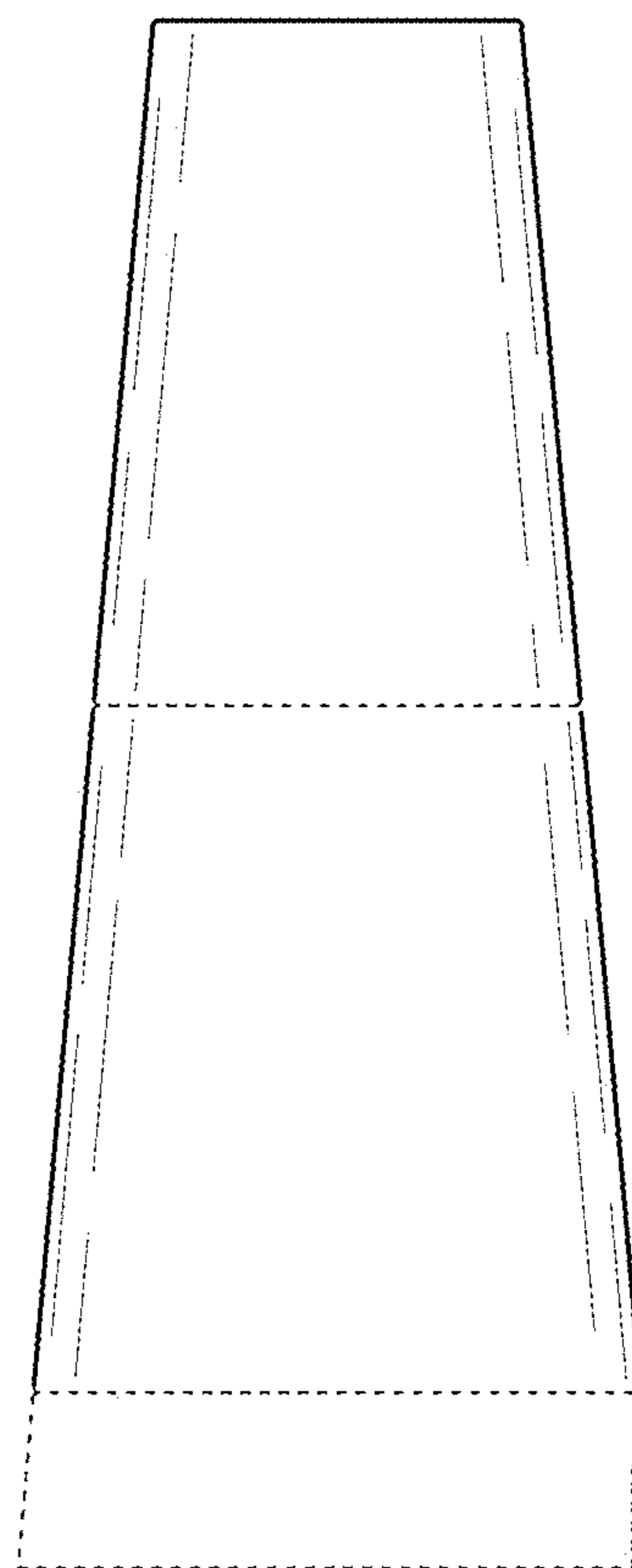


Fig. 5

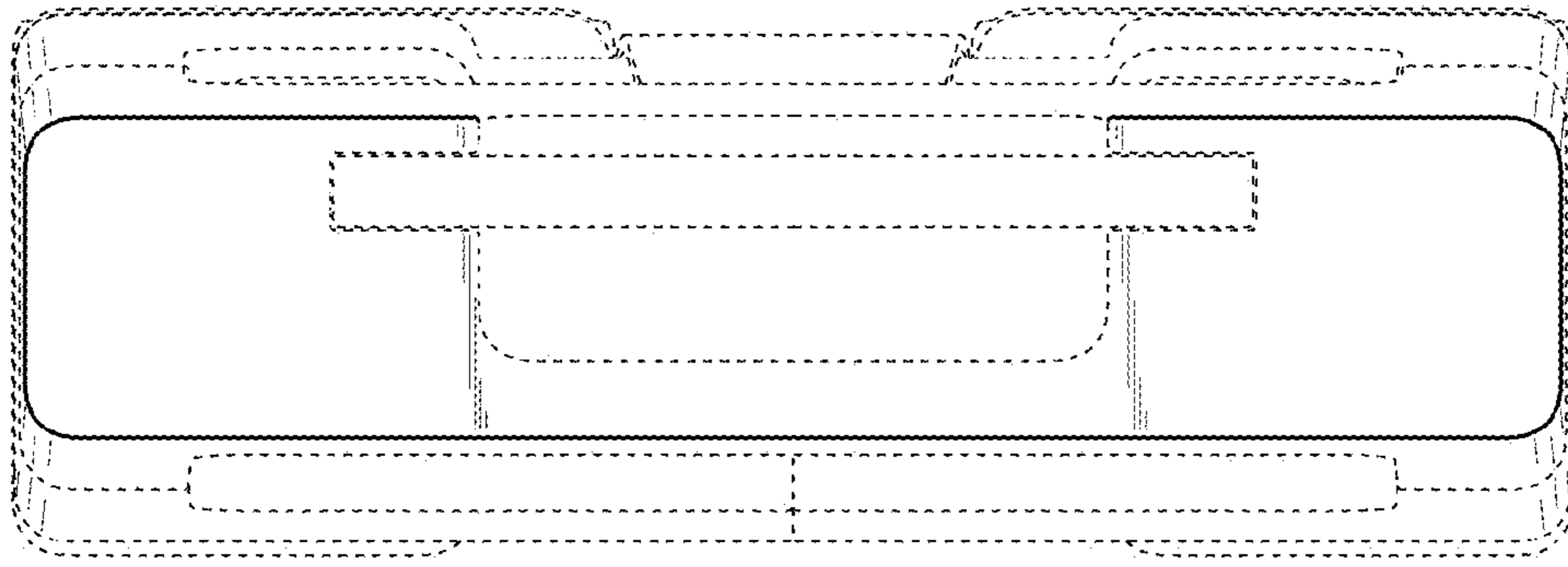


Fig. 6

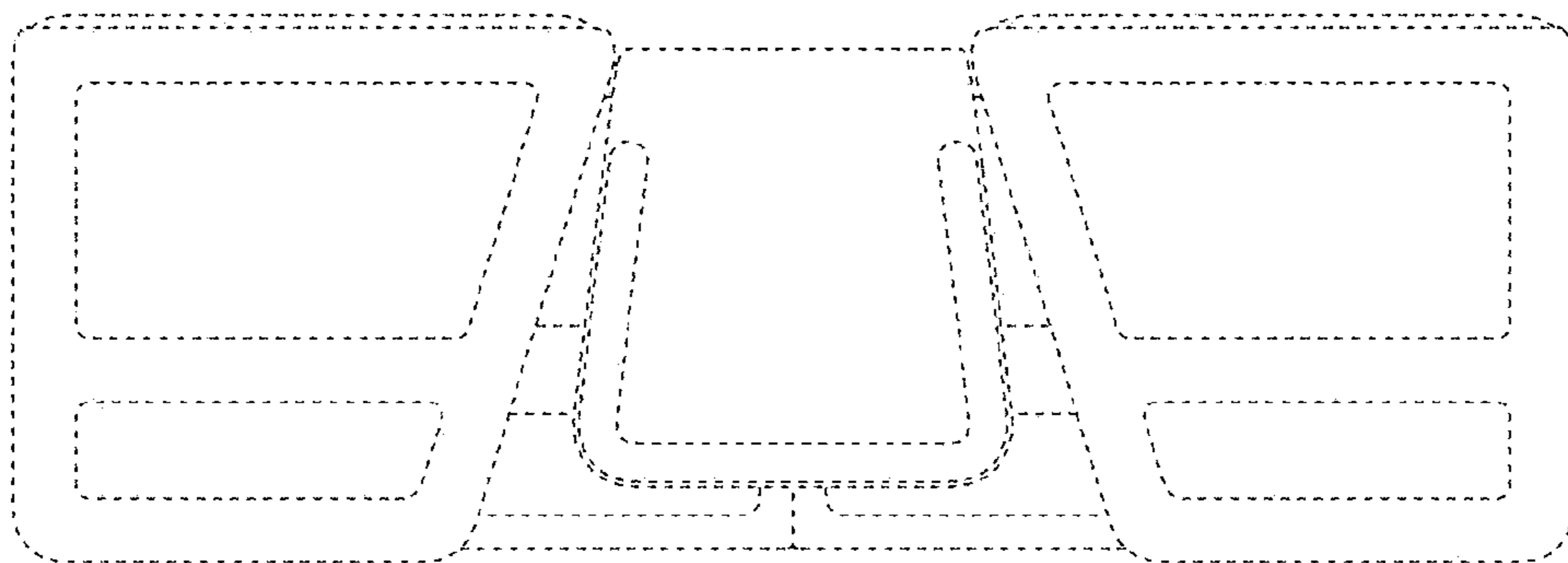


Fig. 7