

US00D715137S

(12) **United States Design Patent**
Ward

(10) **Patent No.:** **US D715,137 S**
(45) **Date of Patent:** **** Oct. 14, 2014**

(54) **DOOR CHOCK**

(71) Applicant: **Michael Shane Ward**, Elon, NC (US)

(72) Inventor: **Michael Shane Ward**, Elon, NC (US)

(**) Term: **14 Years**

(21) Appl. No.: **29/438,074**

(22) Filed: **Nov. 26, 2012**

(51) **LOC (10) Cl.** **08-09**

(52) **U.S. Cl.**
USPC **D8/402**

(58) **Field of Classification Search**
CPC . E05F 5/06; E05Y 2900/531; E05Y 2201/21;
E05C 17/203; E05C 17/36
USPC D8/307, 322, 395, 400-404, 499, 391,
D8/393, 388, 360, 378, 356; D9/456, 614,
D9/623, 628, 640, 673; 160/181; D21/385,
D21/418, 426, 430, 441, 447, 582, 587,
D21/593; D14/223, 480; 16/71, 82, 83, 375,
16/342, 85, 86 R; D29/124; D11/82, 53,
D11/89, 101, 96, 99, 154, 157; 292/343,
292/342, 288; D28/38, 39, 54.1; D20/19,
D20/42, 43

See application file for complete search history.

(56) **References Cited**

U.S. PATENT DOCUMENTS

D196,834 S * 11/1963 Smith D8/307
D513,697 S * 1/2006 Elwell et al. D8/322

D518,754 S * 4/2006 Dias D11/96
D533,179 S * 12/2006 Milstein et al. D14/480.2
D585,432 S * 1/2009 Baker D14/223
D596,067 S * 7/2009 Gersh D11/89
D616,495 S * 5/2010 Lane D19/34
D619,936 S * 7/2010 Paluszkiwicz D12/114
D623,600 S * 9/2010 Baker D13/154
D653,988 S * 2/2012 Hayden et al. D11/96
D654,828 S * 2/2012 Piric D11/157
D669,390 S * 10/2012 Wang D11/99

* cited by examiner

Primary Examiner — Thomas Johannes

Assistant Examiner — Chelsea Sealey

(74) *Attorney, Agent, or Firm* — MacCord Mason PLLC

(57) **CLAIM**

The ornamental design for a door chock, as shown and described.

DESCRIPTION

FIG. 1 is a front perspective view of a door chock showing my new design;

FIG. 2 is a rear perspective view thereof;

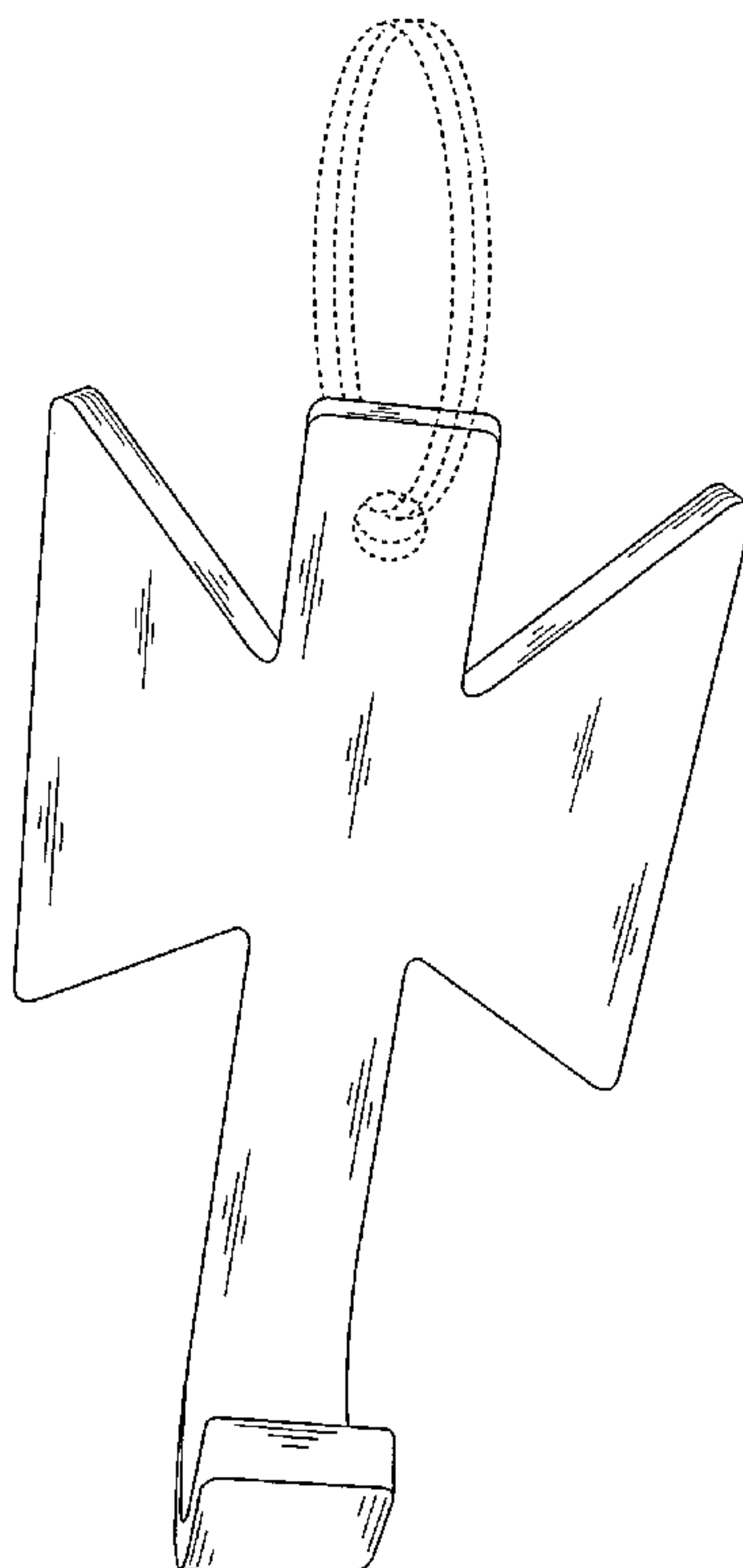
FIG. 3 is right side view (the left side view being a mirror image) thereof; and,

FIG. 4 is a bottom view of thereof.

The broken lines indicate unclaimed portions of the article that form no part of the claimed design.

The parallel intermittent lines shown in FIG. 2 constitute a surface plane change.

1 Claim, 4 Drawing Sheets



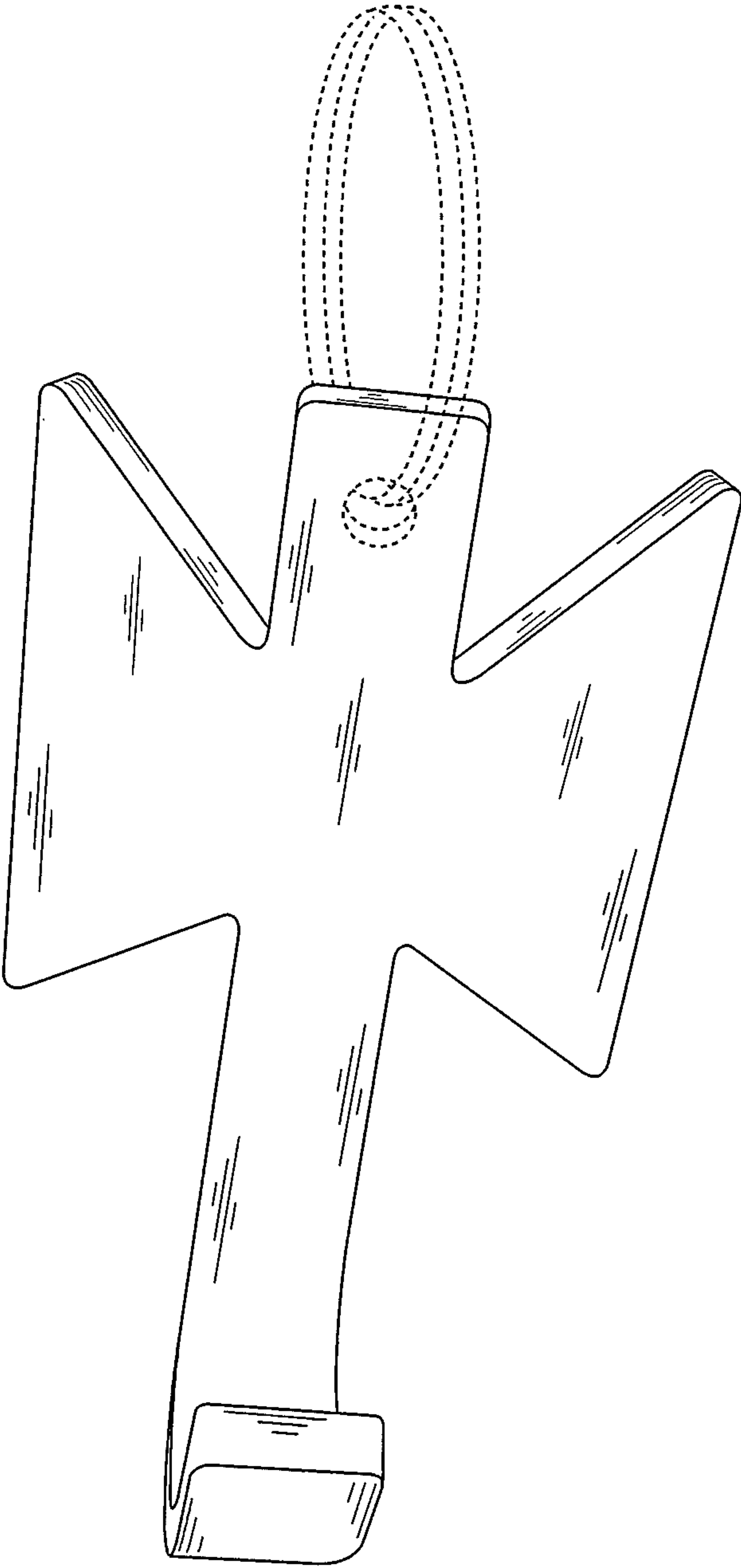


FIG. 1

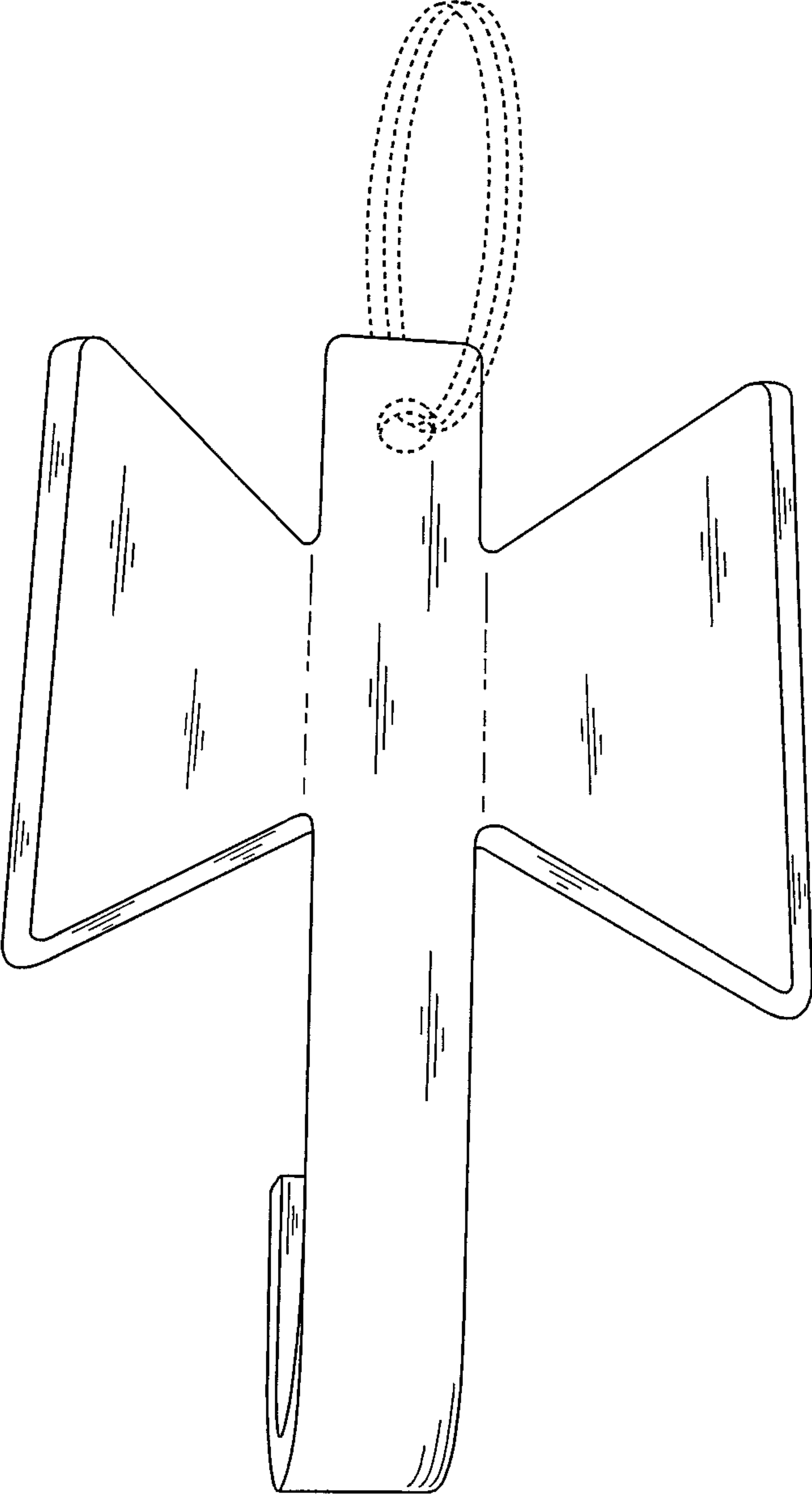


FIG. 2

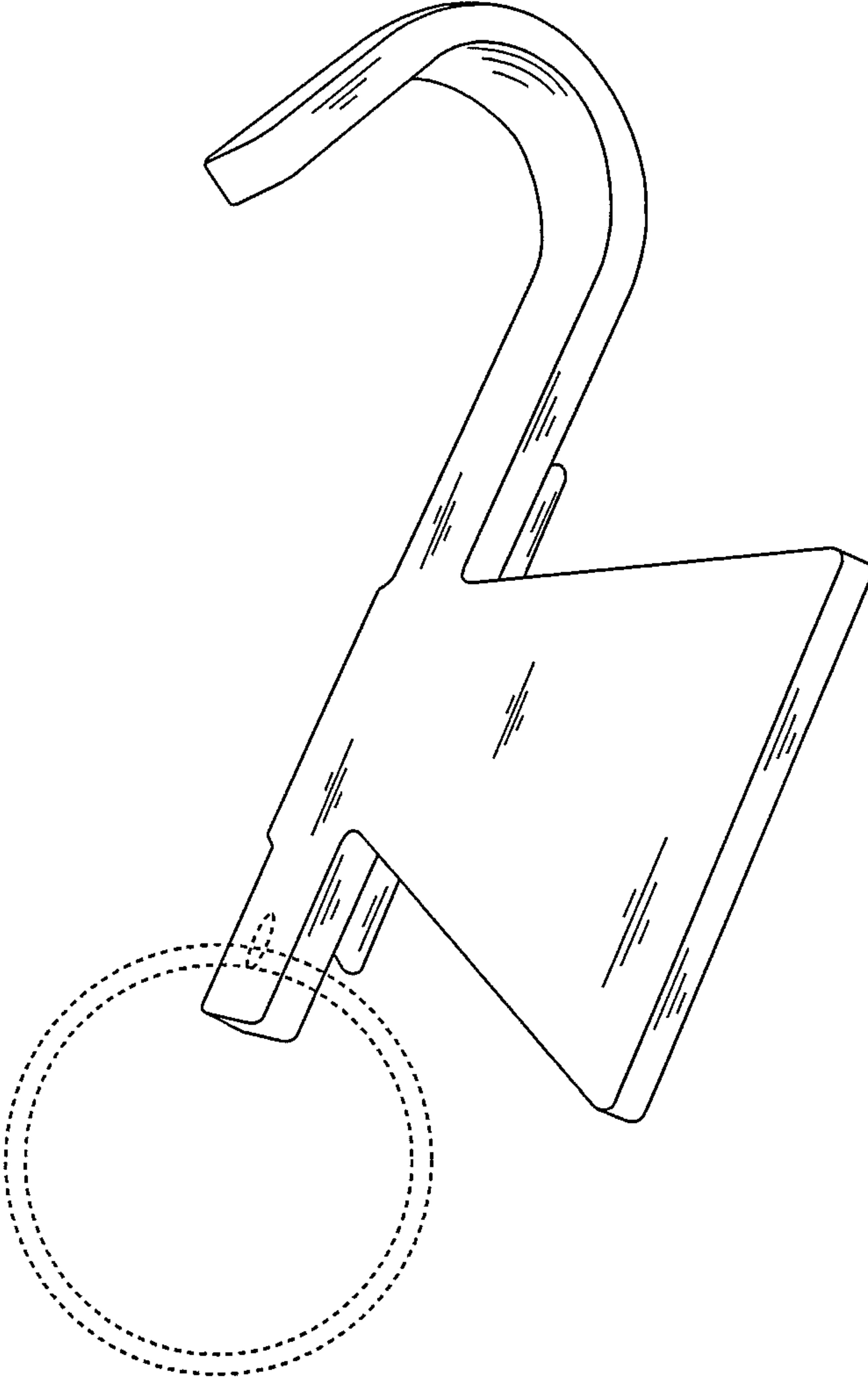


FIG. 3

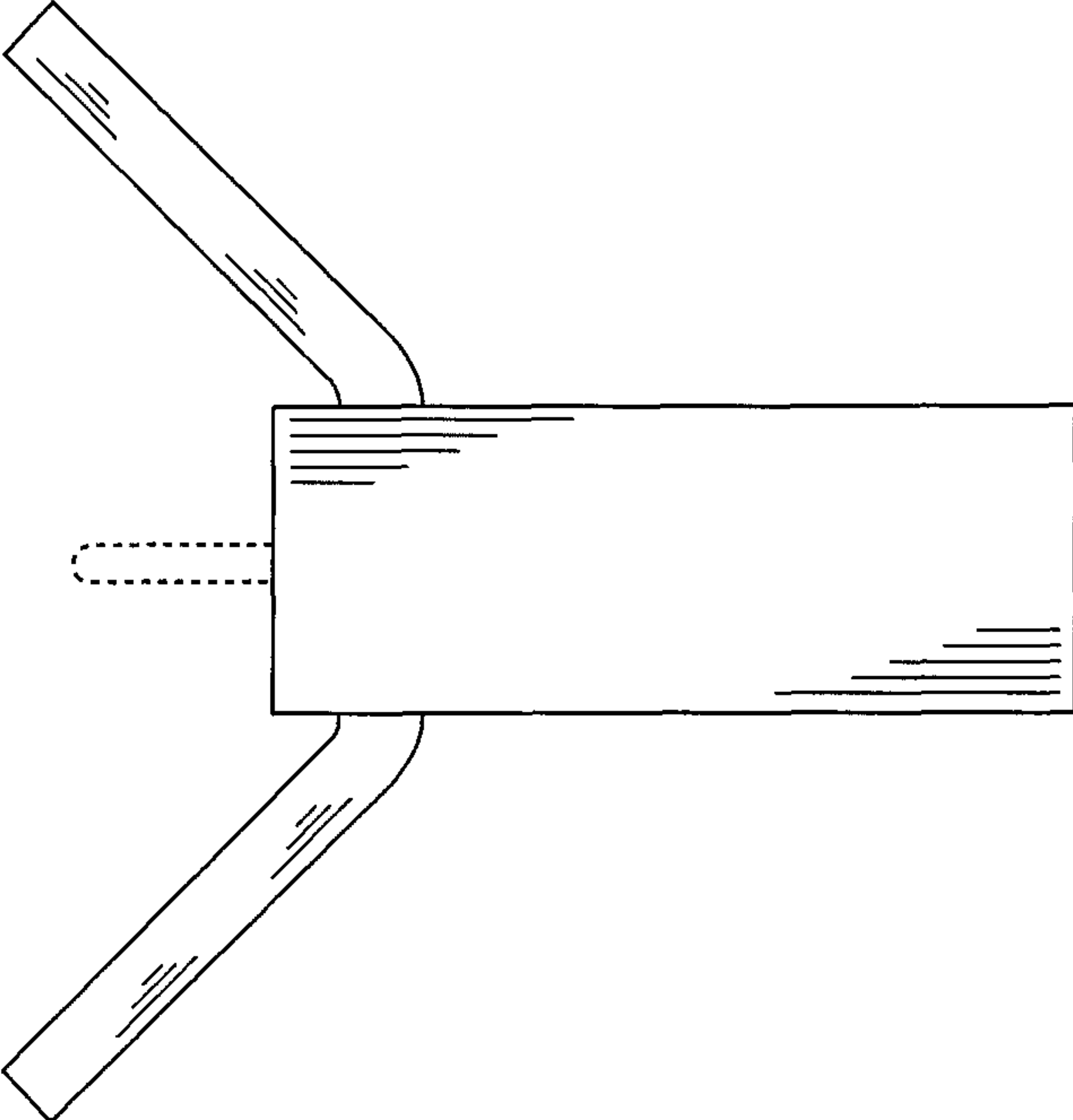


FIG. 4