



US00D715136S

(12) **United States Design Patent**
Dale et al.

(10) **Patent No.:** **US D715,136 S**
(45) **Date of Patent:** **** Oct. 14, 2014**

- (54) **MATED FLUIDIC CONNECTOR**
- (71) Applicant: **DEKA Products Limited Partnership**,
Manchester, NH (US)
- (72) Inventors: **James D. Dale**, Nashua, NH (US);
Kevin L. Grant, Litchfield, NH (US)
- (73) Assignee: **DEKA Products Limited Partnership**,
Manchester, NH (US)

- D372,093 S 7/1996 Sampson et al.
- D373,192 S * 8/1996 Murphy et al. D24/129
- D375,160 S 10/1996 Sampson et al.
- D378,130 S * 2/1997 Schmidt D24/129
- D388,876 S 1/1998 Sampson
- D435,291 S 12/2000 Asfora
- D455,489 S 4/2002 Beck et al.
- 6,659,976 B2 12/2003 Beck et al.

(Continued)

- (**) Term: **14 Years**
- (21) Appl. No.: **29/481,935**
- (22) Filed: **Feb. 12, 2014**

Related U.S. Application Data

- (60) Continuation of application No. 29/456,705, filed on Jun. 3, 2013, now Pat. No. Des. 702,343, which is a division of application No. 29/386,309, filed on Feb. 28, 2011, now Pat. No. Des. 685,906, which is a division of application No. 29/323,615, filed on Aug. 27, 2008, now Pat. No. Des. 636,077.

- (51) **LOC (10) Cl.** **08-08**
- (52) **U.S. Cl.**
USPC **D8/395**

- (58) **Field of Classification Search**
USPC D24/129, 111; D23/259–260, 265;
128/DIG. 20, DIG. 10, 24, 84, 202.27,
128/205.24; 285/304, 305, 26, 319, 317,
285/137.1; D13/154; D8/394–396
See application file for complete search history.

(56) **References Cited**

U.S. PATENT DOCUMENTS

- D319,312 S * 8/1991 Schneider D24/129
- D339,417 S 9/1993 Sampson et al.
- D354,133 S 1/1995 Scavitto et al.

OTHER PUBLICATIONS

“Plastic Quick Disconnect Coupling and Fittings,” 7 pages, <http://www.colder.com/Products/Plastic/tabid/693/Default.aspx?ProductId=9> (accessed Jul. 16, 2009).

(Continued)

Primary Examiner — John Windmuller

(74) *Attorney, Agent, or Firm* — Wolf, Greenfield & Sacks, P.C.

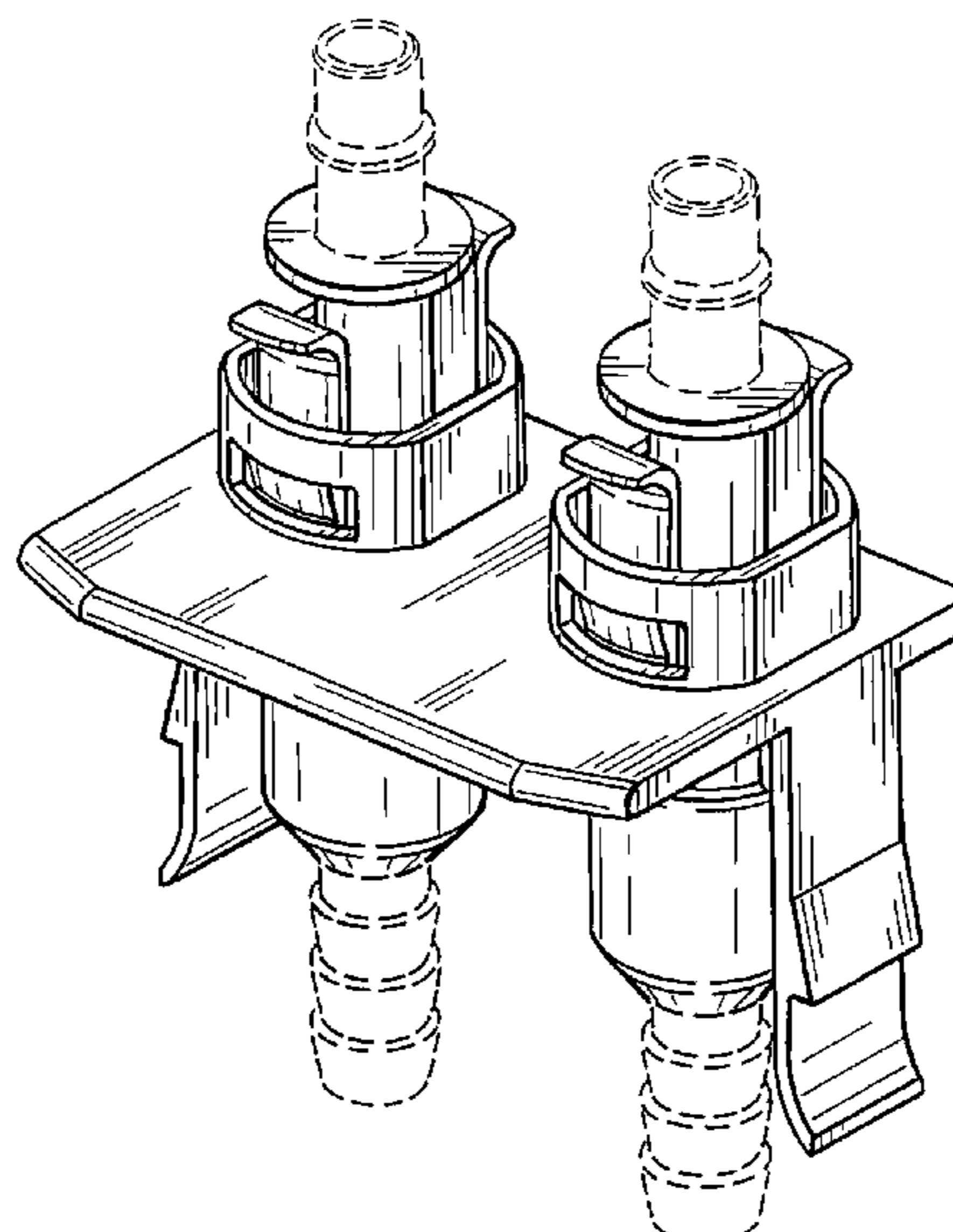
(57) **CLAIM**

The ornamental design for a mated fluidic connector, as shown and described.

DESCRIPTION

FIG. 1 is a top, front, right side perspective view of the mated fluidic connector;
 FIG. 2 is a front elevational view of the mated fluidic connector;
 FIG. 3 is a rear elevational view of the mated fluidic connector;
 FIG. 4 is a left side elevational view, the right side being a mirror image thereof, of the mated fluidic connector;
 FIG. 5 is a top plan view of the mated fluidic connector; and,
 FIG. 6 is a bottom plan view of the mated fluidic connector.
 Only the portion of the mated fluidic connector in solid lines is claimed. The portion of the figures shown in dashed lines forms no part of the claimed invention.

1 Claim, 5 Drawing Sheets



(56)

References Cited

U.S. PATENT DOCUMENTS

D503,978 S 4/2005 Beck
D504,506 S 4/2005 Beck et al.
D507,647 S * 7/2005 Beck et al. D24/111
D523,553 S 6/2006 Beck et al.
D536,783 S 2/2007 Cise et al.
D578,209 S 10/2008 Schurg et al.
7,448,653 B2 11/2008 Jensen et al.
D612,336 S 3/2010 Bodwell et al.
D649,240 S * 11/2011 Lewis et al. D24/129
D671,209 S * 11/2012 Row et al. D24/129

2009/0105629 A1 4/2009 Grant et al.
2009/0140519 A1 * 6/2009 Pavnaskar et al. 285/308
2009/0167018 A1 * 7/2009 Lien 285/308
2010/0056975 A1 * 3/2010 Dale et al. 604/6.16
2010/0078934 A1 * 4/2010 Matsunaga 285/316

OTHER PUBLICATIONS

“Plastic Fittings & Product Accessories from Colder Products Company,” 3 pages, <http://www.colder.com/Products/FittingsAccessories/tabid/797/Default.aspx?ProductId=66> (accessed Jul. 16, 2009).

* cited by examiner

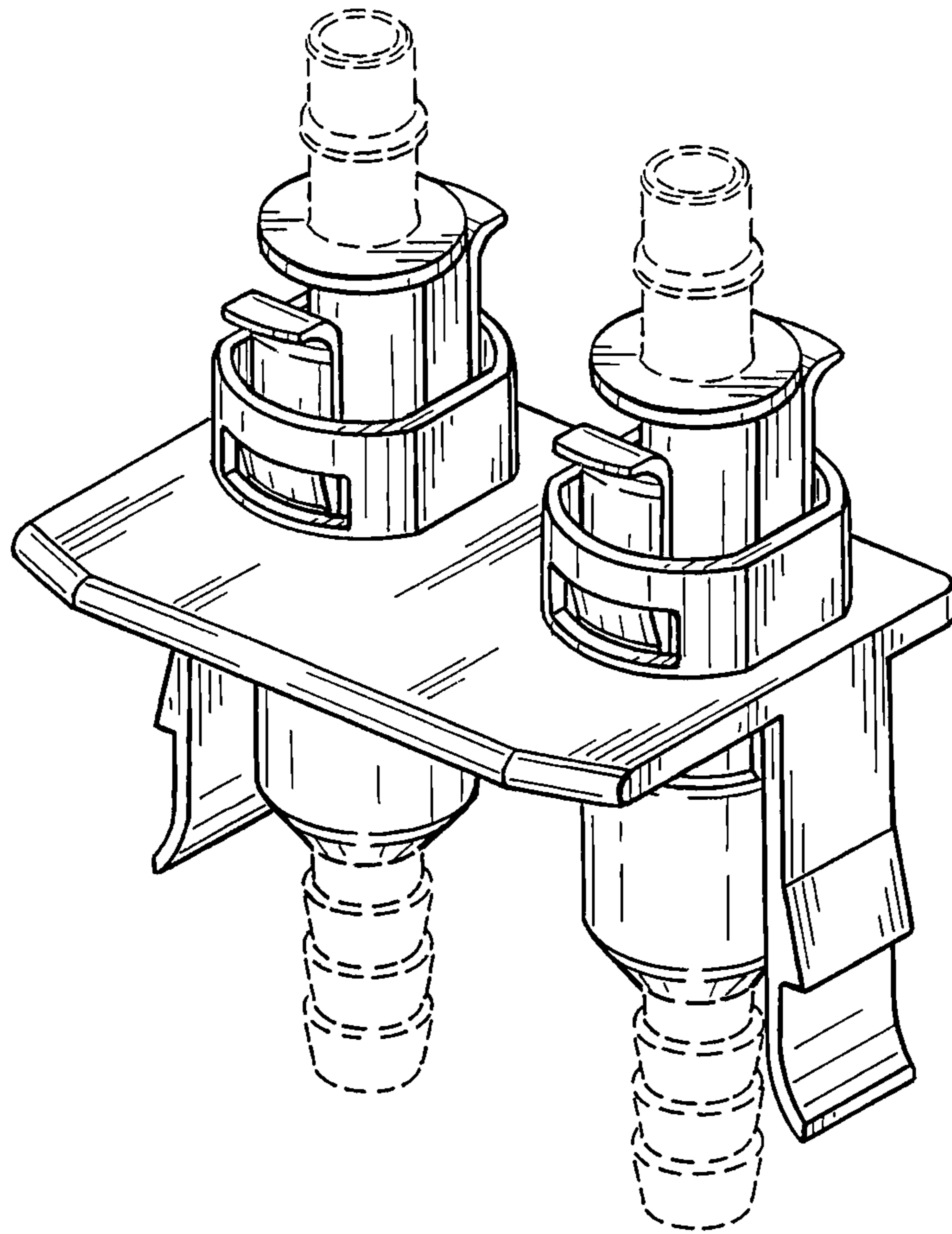


Fig. 1

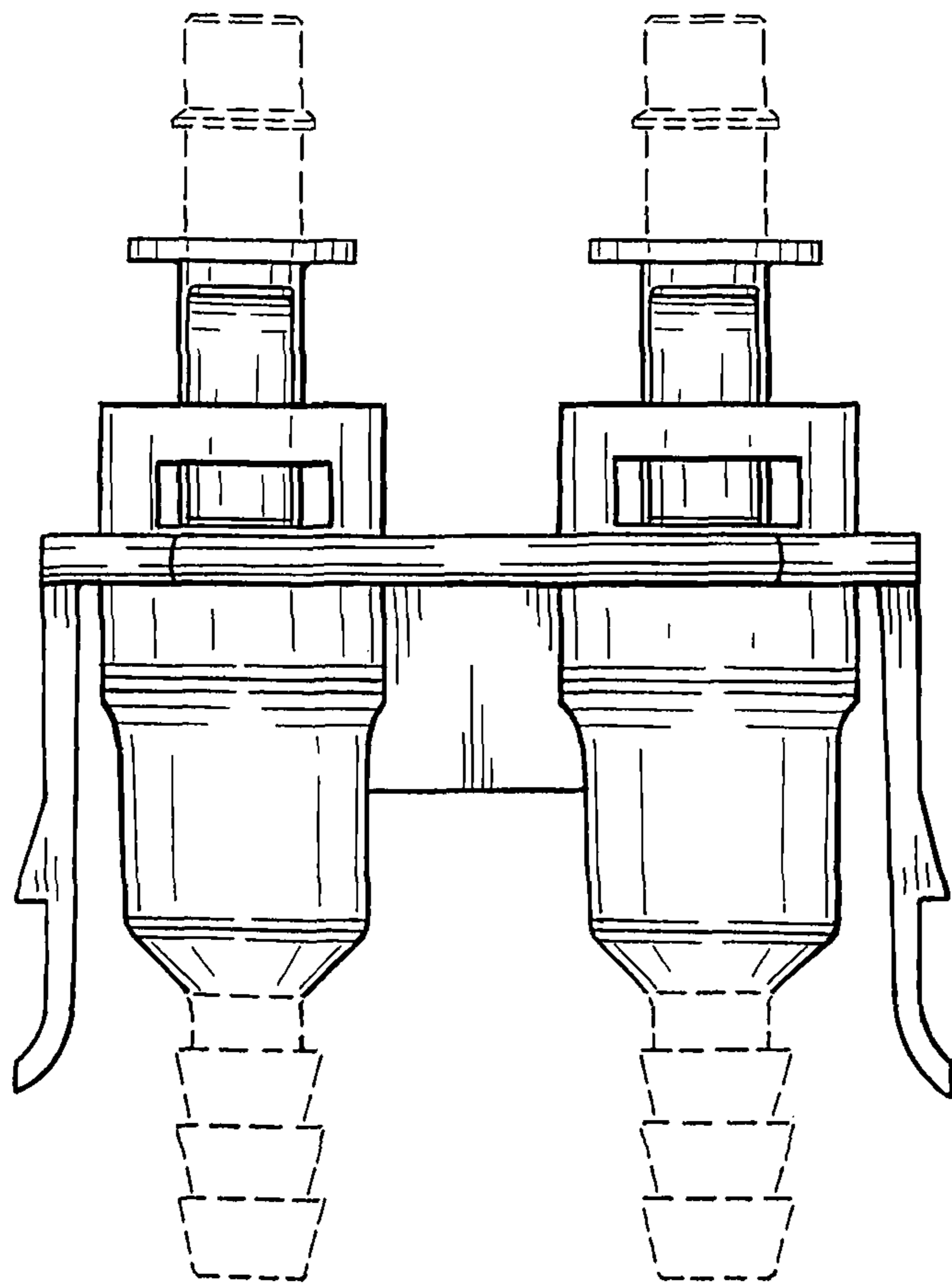


Fig. 2

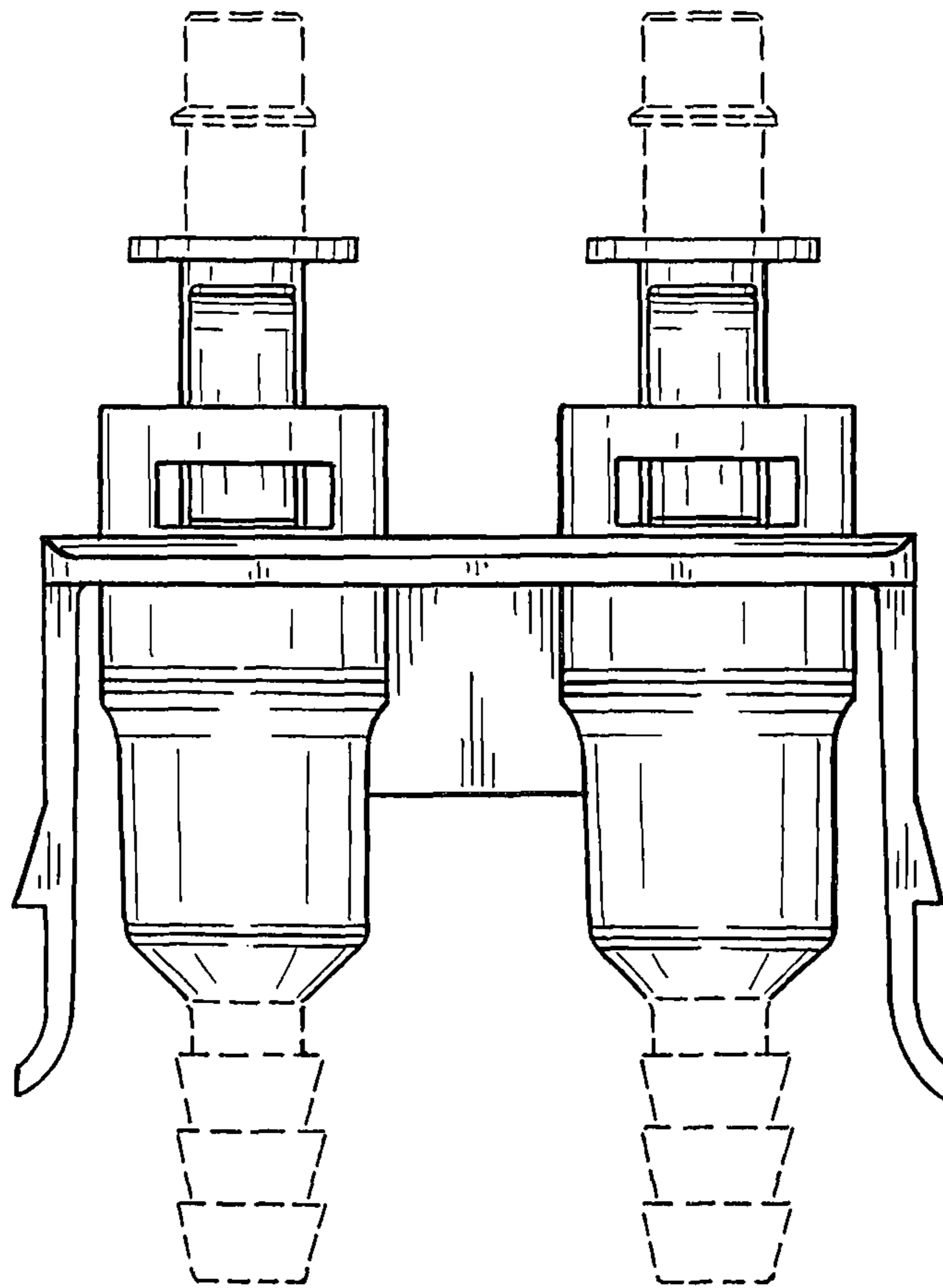


Fig. 3

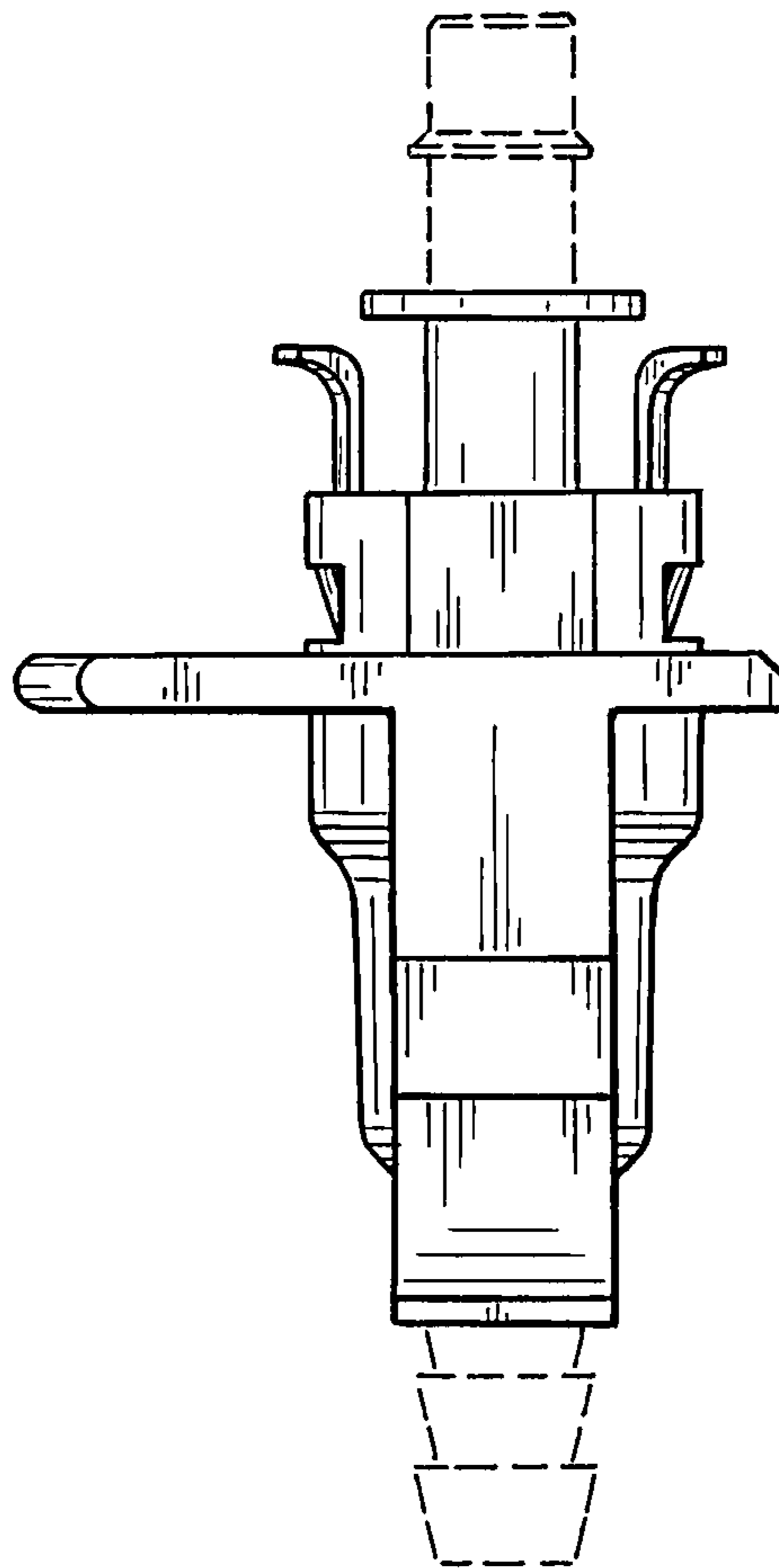


Fig. 4

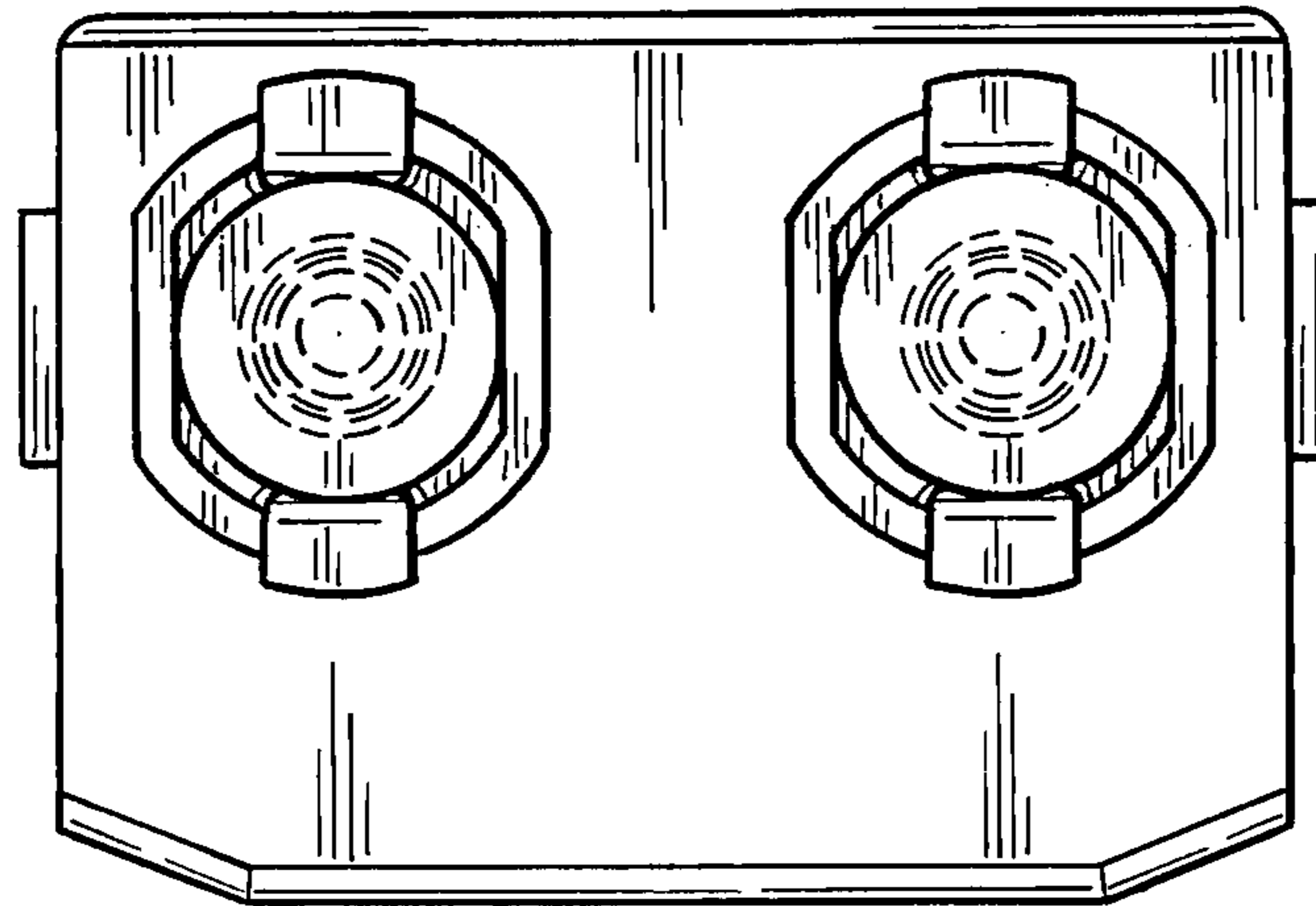


Fig. 5

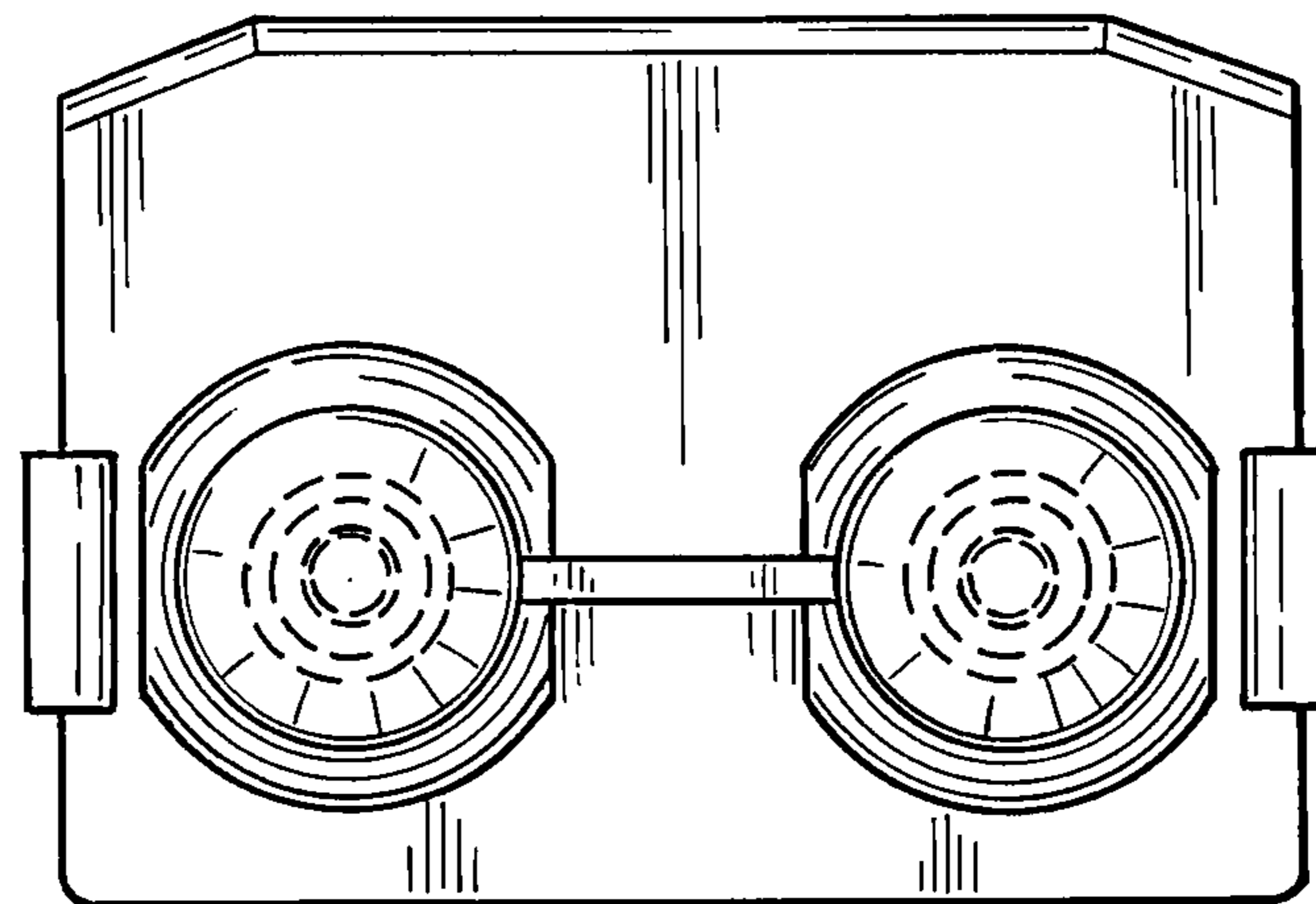


Fig. 6